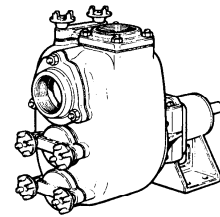
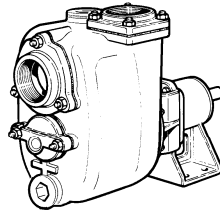
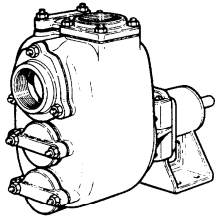


## DISTINTA DELLE PARTI COSTITUENTI LE POMPE CENTRIFUGHE AUTOADESCANTI SERIE " J "

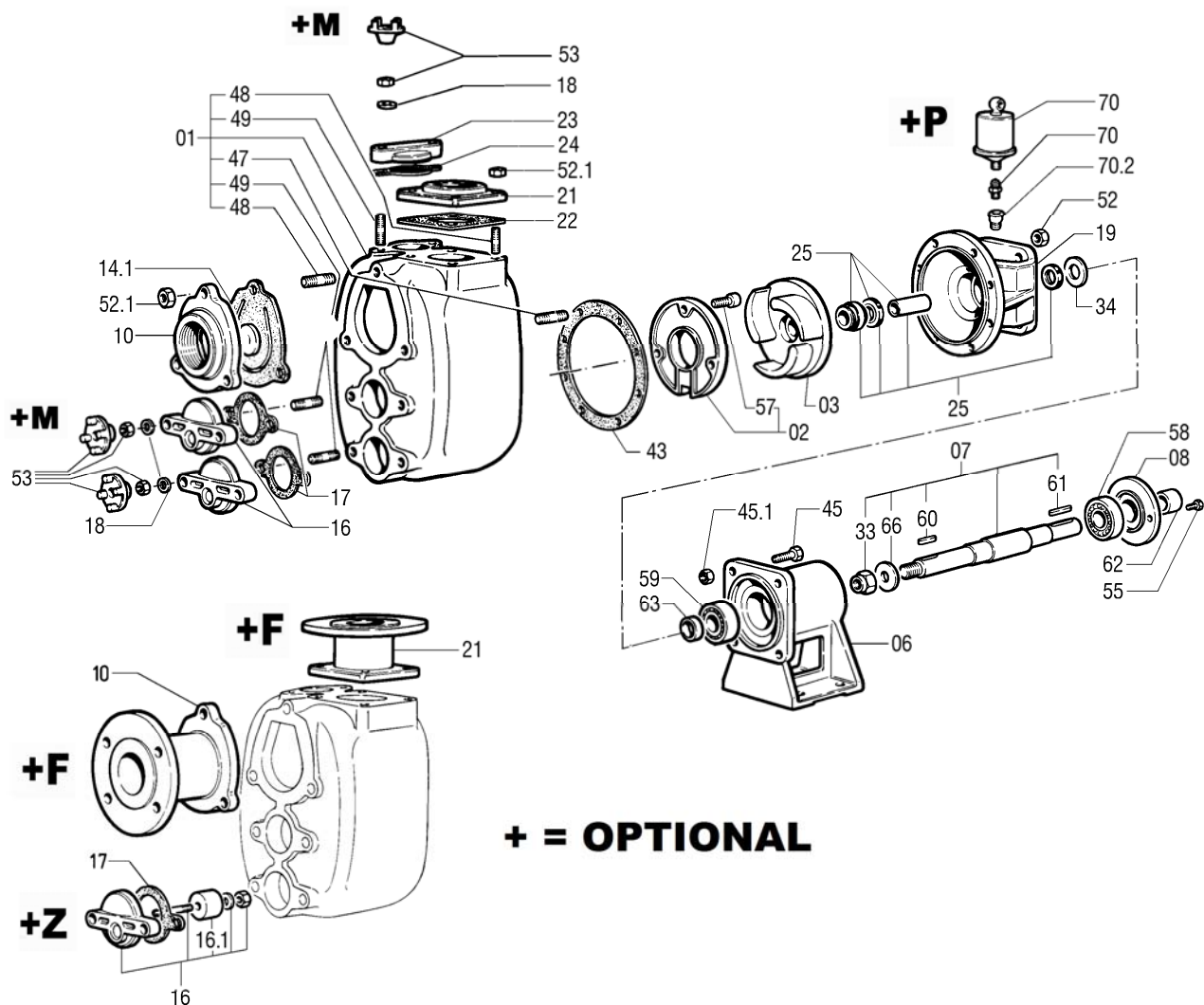
### SPARE PARTS LIST FOR "J" SERIES SELF-PRIMING PUMPS



JS 2-120 G10 Code 1000 9167  
 JS 2-120 G20 Code 1000 9177  
 JS 2-120 F10 Code 1000 9166  
 JS 2-120 F20 Code 1002 3686  
 JS 2-120 P10 Code 1003 3277  
 JS 2-120 P30 Code 1000 9162  
 JS 2-120 T10 Code 1003 7180

JS 2-120 K10 Code 1000 9215  
 JS 2-120 K20 Code 1000 9216  
 JS 2-120 L10 Code 1004 3106  
 JS 2-120 L20 Code 1004 3107

JS 2-120 B10 Code 1000 9209  
 JS 2-120 Q20 Code 1000 9174



Rif. N° Pos. Nr.	Quant.	Denominazione	Part name	Den. Comm. Type	Mat. *	Codice Nuovo New Part.N°	JS 2-120 G10	JS 2-120 G20	JS 2-120 P10	JS 2-120 P30	JS 2-120 F10	JS 2-120 F20	JS 2-120 Q10	JS 2-120 B10	JS 2-120 K10	JS 2-120 K20	JS 2-120 L10	JS 2-120 L20	JS 2-120 T10				
1	1	Corpo (1)	Casing (1)		G	1000 8032	○	○	○	○	○	○	○	○	○	○	○	○	○	○			
					G	1004 3784																	
					B	1001 9287											○						
					K	1002 0726												○	○				
					KL	1003 4261															○	○	
					G+QPQ	1004 3785													○				
2	1	Piatto d' usura (2)	Front wear plate (2)		G	1000 8412	○	○	○	○													
					B	1000 8390								○	○								
					K	1000 8465							○	○									
					KL	1003 4262															○	○	
						G+QPQ	1004 3792																○
3	1	Girante	Impeller		G	1000 5279	○	○	○	○													
					B	1000 5201								○	○								
					K	1000 5390							○	○									
					KL	1003 3499															○	○	
						G+QPQ	1002 1902																○
6	1	Supporto	Bearing housing		G	1000 6864	○	○	○	○	○	○	○	○	○	○	○	○	○				
7	1	Albero (3)	Shaft (3)		S	1000 7572	○	○	○	○													
					K	1000 7603						○	○	○	○	○	○	○	○	○			
					KL	1003 3495														○	○		
8	1	Copricuscinetto	Bearing cover		G	1000 4771	○	○	○	○	○	○	○	○	○	○	○	○	○				
10	1	Portavalvola	Suction flange	R 2"	G	1000 6417	○	○	○	○	○	○											
					OTS	1000 6396								○	○								
					K	1000 6445												○	○				
					KL	1003 3502														○	○		
							+F	+F	+F	+F	+F	+F	+F	+F	+F	+F	+F	+F	+F				
14.1	1	Valvola compl (4)	Check valve ass (4)		NH	1000 9015	○																
					TK	1000 9017								○									
					VK	1000 9018				○	○	○	○										
16	2	Portina	Cover		S	1000 6473	○			○	○	○											
					G	1000 6486																	
					SZ	1000 8502	+Z	+Z	+Z	+Z	+Z	+Z										+Z	
					B	1000 3748											○						
						KL	1000 6502												○	○	○	○	
	1	Portina	Cover		KL	1000 6502								○	○	○	○						
	1	Tappo	Plug	1" DIN 908	K	1000 2416								○	○	○	○						
16.1	3	Placca zinco	Zinc anode				+Z	+Z	+Z	+Z	+Z	+Z	○						+Z				
17(**)	1	Guarnizione	Gasket		V																		
	1			42x32,5x2	E3																		
19	1	Portamotore	Head		G	1000 6300	○			○	○												
					G	1000 6322								○									
					B	1000 6271											○						
					K	1000 6352																	
					K	1000 6361														○			
					KL	1004 3104															○		
						KL	1003 3501															○	
		G+QPQ	1002 1903															○					
21	1	Flangia mandata	Discharge flange	R 2"	G	1000 5085	○	○	○	○	○	○											
					OTS	1000 5068										○	○						
					K	1000 5110														○	○		
					KL	1003 3497															○		
							+F	+F	+F	+F	+F	+F	+F	+F	+F	+F	+F	+F					
22(**)	1	Guarnizione	Gasket																				
23	1	Portina	Cover		S	1000 6473	○			○	○												
					G	1000 6486																	
					SZ	1000 8502	+Z	+Z	+Z	+Z	+Z	+Z										+Z	
					B	1000 3748																	
						KL	1000 6502																
	1	Portina	Cover		KL	1000 6502																	
	1	Tappo	Plug	1" DIN 908	K	1000 2416																	
24(**)	1	Guarnizione	Gasket		V																		
	1			42x32,5x2	E3																		
25	1	Anello di tenuta	Mechanical seal ass.		T 22 YYN	1000 8814	○								○								
					T 22 YYV	1000 8811											○						
					T 22 GYV	1000 8891																	
					T 22 WYT-US3A	1000 8910																	
33	1	Dado girante	Impeller nut	M 14 x 1,5	H	1000 1463	○	○	○	○													
					K	1000 1470																	

VARISCO S.p.A.

35129 Padova – Z.I. Nord Terza Strada, 9

Tel. 049 82 94 111

Fax 049 82 94 373

+39 049 82 94 111

International +39 049 80 76 762



**varisco**  
solid pumping solutions

Rif. N° Pos. Nr.	Quant.	Denominazione	Part name	Den. Comm. Type	Mat. *	Codice Nuovo New Part.N°	JS 2-120 G10	JS 2-120 G20	JS 2-120 P10	JS 2-120 P30	JS 2-120 F10	JS 2-120 F20	JS 2-120 Q10	JS 2-120 B10	JS 2-120 K10	JS 2-120 K20	JS 2-120 L10	JS 2-120 L20	JS 2-120 T10	
34	1	Anello spartiacque	Water deflector	19 x 52 x 1	H	1000 4131	○	○	○	○	○	○	○	○	○	○	○	○	○	○
43(**)	1	Guarnizione corpo	Casing gasket																	
45	4	Vite	Screw	M 8x30 DIN 933 M 8x30 DIN 933	S K	1000 1939 1000 2031	○	○	○	○										○
45.1	4	Dado	Nut	M 8 DIN 934 M 8 DIN 934	S K	1000 1420 1000 1435	○	○	○	○	○	○	○	○	○	○	○	○	○	○
47(*)	8	Prigioniero	Stud	M 8x18 DIN 938 M 8x18 DIN 938	S K		○	○	○	○										○
48(*)	7	Prigioniero	Stud	M 10x20 DIN 938 M 10x20 DIN 938	S K		○	○	○	○										○
49(*)	6	Prigioniero	Stud	M 10x30 DIN 938 M 10x30 DIN 938	S K		○	○	○	○										○
52(*)	8	Dado	Nut	M 8 DIN 934 M 8 DIN 934	S H		○	○	○	○										○
52.1(*)	7	Dado	Nut	M 10 DIN 934 M 10 DIN 934	S K		○	○	○	○										○
53(*)	6	Maniglietta Dado	Wrench Nut	M 10 M 10 DIN 934 M 10 DIN 934	OTS S K		+M	+M	+M	+M			○	○						+M
55	2	Vite	Screw	M 6x16 DIN 933	S	1000 1932	○	○	○	○	○	○	○	○	○	○	○	○	○	○
57(*)	3	Vite	Screw	M 8x16 DIN 912 M 8x16 DIN 912	H K		○	○	○	○										○
58	1	Cuscinetto	Ball bearing	6304 - 2RS		1000 1370	○	○	○	○	○	○	○	○	○	○	○	○	○	○
59	1	Cuscinetto	Ball bearing	62204-2 RS		1000 1362	○	○	○	○	○	○	○	○	○	○	○	○	○	○
60	1	Linguetta	Key	6x6x16	K	1000 1619	○	○	○	○	○	○	○	○	○	○	○	○	○	○
61	1	Linguetta	Key	6x6x36	S	1000 1588	○	○	○	○	○	○	○	○	○	○	○	○	○	○
62	1	Ghiera	Sleeve	20x27x18	F	1000 4170	○	○	○	○	○	○	○	○	○	○	○	○	○	○
63	1	Ghiera	Sleeve	20x27x8	F	1000 4169	○	○	○	○	○	○	○	○	○	○	○	○	○	○
66	1	Rondella	Washer	M 14 DIN 125 A M 14 DIN 125 A	H K	1000 1709 1000 1708	○	○	○	○										○
70	1	Ingrassatore	Grease nipple	R 1/4"	S	1000 1662 1000 8316	○	○	○	○	○	○	○	○	○	○	○	○	○	○
70.1	1	Manicotto	Union	R 1/4"	S		+P	+P	+P		+P	+P	+P	+P	+P	+P	+P	+P	+P	+P
70.2	1	Prolunga	Grease tube		S		+P	+P	+P		+P	+P	+P	+P	+P	+P	+P	+P	+P	+P
(*)		Serie viterie	Set of screw			1001 4094 1001 4113 1001 4115	○	○	○	○										○
(**)		Serie guarnizioni	Set of gaskets		N V N V TE	1001 4095 1001 4098 1001 4097 1001 4116 1001 4099	○		○	○	○	○	○							○
+F***		Kit flange	Kit flange	DN 50 PN16 DN 50 PN16 DN 50 PN16 DN 50 PN16 2" ASA150 2" ASA150 2" ASA150 2" ASA150	G B K KL G B K KL	1004 2783 1004 2786 1004 2790	○	○	○	○			○	○						○
+P***		Kit ingrassatore	Compl. Grease kit			1000 8316	○	○	○		○	○	○	○	○	○	○	○	○	○
+Z***		Kit portine	Set of couver		GZ	1004 2799	○	○	○	○	○	○	○	○	○	○	○	○	○	○
+M***		Kit manigliette	Set of wrench		OTS	1004 2794	○	○	○	○	○	○	○	○	○	○	○	○	○	○
***		<b>Optional</b>																		

VARISCO S.p.A.

35129 Padova – Z.I. Nord Terza Strada, 9

Tel. 049 82 94 111

Fax 049 82 94 373

+39 049 82 94 111

International +39 049 80 76 762



**varisco**  
solid pumping solutions

<b>Note:</b>		<b>Notes:</b>	
1) Completo di prigionieri (47, 48, 49).		1) Complete with studs (47, 48, 49).	
2) Completo di viti (57).		2) Complete with screws (57).	
3) Completo di linguette (66, 61), dado (33) e rondella (60).		3) Complete with keys (66, 61), nut (33), and washer (60).	
4) Completo di valvola, contrappesi, vite e dado		4) Complete with check vave, weights, screw and nut	
* Materiali di costruzione		* Construction materials	
B	=Bronzo	B	=Bronze
D	=Guarnital	D	=Guarnital
E3	=Centellen VS 3820	E3	=Centellen VS 3820
EK	=Klinger Acidit	EK	=Klinger Acidit
G	=Ghisa	G	=Cast iron
G+QPQ	=Ghisa + trattamento QPQ	G+QPQ	=Cast iron+ Quench Polish Quench
H	=Acciaio inox AISI 304	H	=AISI 304 Stainless steel
K	=Acciaio inox AISI 316	K	=AISI 316 Stainless steel
KL	=Acciaio inox AISI 316 L	KL	=AISI 316 L Stainless steel
N	=Gomma nitrile	N	=Nitrile rubber
S	=Acciaio	S	=Steel
T	=Teflon	T	=Teflon
V	=Viton	V	=Viton
Z	=Zinco	Z	=Zinc
Ordinare il materiale indicando sempre la quantità, , il codice del pezzo, la denominazione, il tipo e il numero della pompa.		When ordering spares always indicate: quantity, part name and part number, type and serial number of pump.	