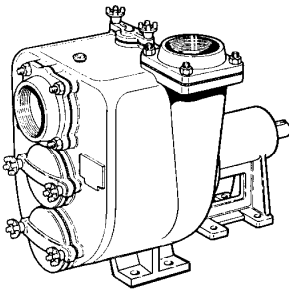
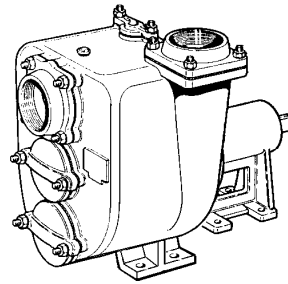


DISTINTA DELLE PARTI COSTITUENTI LE POMPE CENTRIFUGHE AUTOADESCANTI SERIE " J "

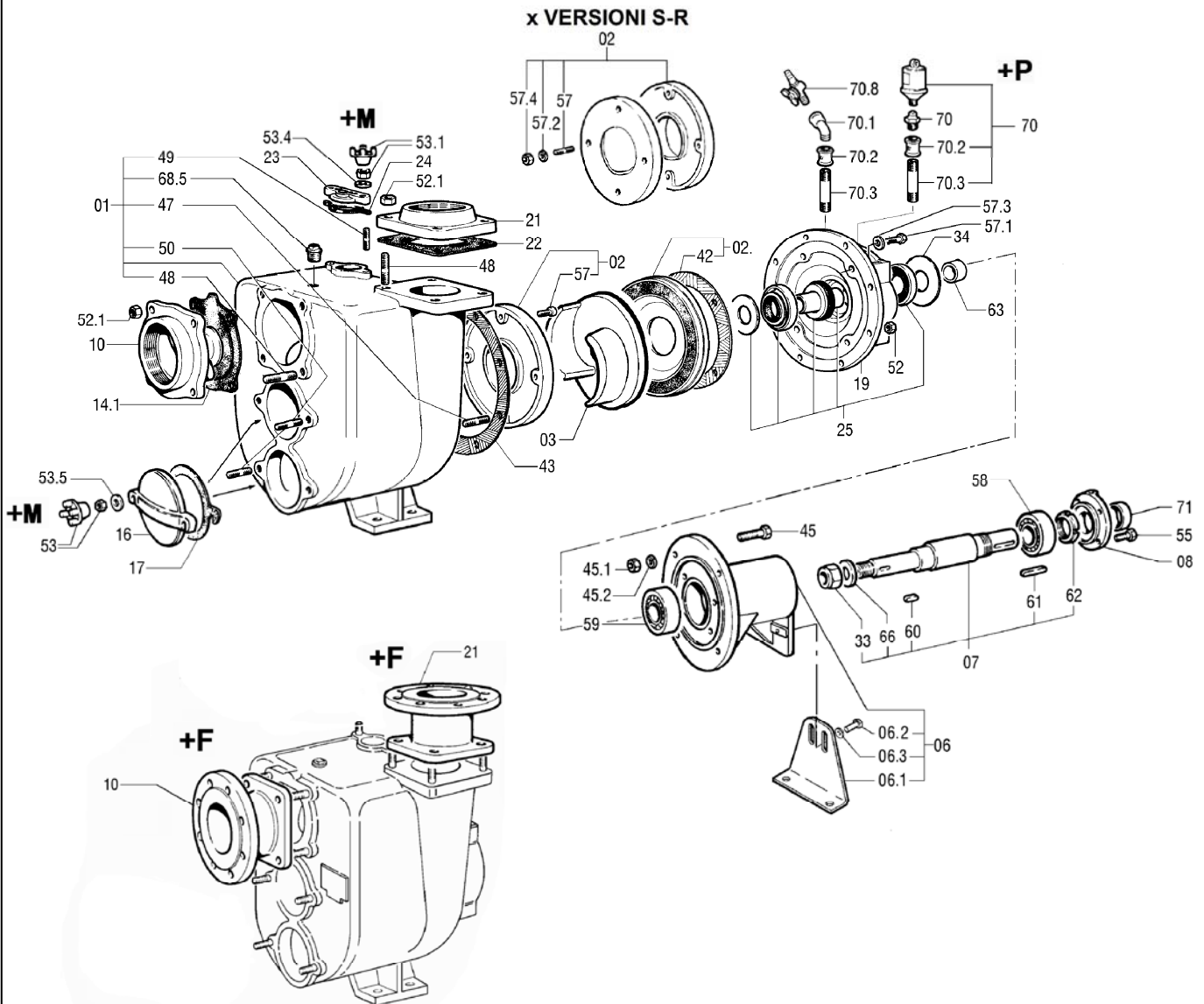
SPARE PARTS LIST FOR " J " SERIES SELF-PRIMING PUMPS



JS 4-250 S11 Code 1002 5306
 JS 4-250 R11 Code 1003 0346



JS 4-250 G11 Code 1002 5468
 JS 4-250 D11 Code 1005 2648



Rif. N° Pos. Nr.	Quant.	Denominazione	Part name	Den. Comm. Type	Mat. *	Codice Nuovo New Part. No.	JS 4-250 S11	JS 4-250 G11	JS 4-250 D11	JS 4-250 R11	
01	1	Corpo (1)	Casing (1)		G	1004 3709	○				
					G	1002 3922		○			
					G+N2	1005 3236			○		
					G+QPQ	1005 3237				○	
02	1	Piatto d'usura (2)	Wear plate (2)		GN	1000 8443	○			○	
					GN	1000 8418		○			
					G+N1	1005 3238			○		
02.1	1	Piatto Poggia Girante (3)	Wear plate (3)		GN	1002 3925	○			○	
					GN	1002 3926		○			
					G+N1	1005 3160			○		
03	1	Girante	Impeller		S	1000 5386	○				
					GS	1000 5365		○			
					GS+N4	1005 1676			○		
					S+QPQ	1003 0342				○	
06	1	Supporto	Bearing housing		G	1002 1206	○	○	○	○	
06.1	1	Piede supporto	Bearing housing foot		S	1002 1223	○	○	○	○	
06.2	2	Vite	Screw	M 14 x 30 DIN 933	S	1000 2018	○	○	○	○	
06.3	2	Rondella	Washer	M 14 UNI 1751/52A	S	1000 1682	○	○	○	○	
07	1	Albero (4)	Shaft (4)		S	1002 1225	○	○	○	○	
08	1	Copricuscinetto	Bearing cover		G	1000 4775	○	○	○	○	
10	1	Portavalvola	Suction flange	R 4"	G	1000 6426	○	○	○		
					R 4"	G+QPQ	1002 6833				○
					DIN DN100 PN16	G	1000 6428	+F	+F	+F	+F
14.1	1	Valvola completa	Check valve ass.		NK	1000 9032	○	○	○	○	
16	2	Portina	Cover		G	1000 6475	○	○	○		
					G+QPQ	1002 4691				○	
17 (**)	2	Guarnizione	Gasket								
19	1	Portamotore	Head		GS	1002 5301	○	○			
					G+N1	1005 1433			○		
					G+QPQ	1003 0341				○	
21	1	Flangia mandata	Discharge flange	R 4"	G	1000 5094	○	○	○		
					R 4"	G+QPQ	1002 6832				○
					DIN DN100 PN16	G		+F	+F	+F	+F
22 (**)	1	Guarnizione	Gasket								
23	1	Portina	Cover		S	1000 6473	○	○	○		
					S+QPQ	1002 4689				○	
24 (**)	1	Guarnizione	Gasket								
25	1	Anello di tenuta compl.	Mechanical seal ass.	T 45 YYN		1002 1228	○	○	○	○	
33	1	Dado blocca girante	Impeller nut	M 30 x 2 UNI7474	H	1000 1466	○	○	○	○	
42 (**)	1	Guarnizione piatto	Wear plate gasket								
43 (**)	1	Guarnizione corpo	Casing gasket								
45	4	Vite	Screw	M 12 x 45 DIN 931	S	1000 1963	○	○	○	○	
45.1	4	Dado	Nut	M 12 DIN 934	S	1000 1422	○	○	○	○	
45.2	4	Rondella	Washer	M 12 UNI 1751/52 A	S	1000 1681	○	○	○	○	
47 (*)	8	Prigioniero	Stud	M 12 x 30 DIN 938	S		○	○	○	○	
48 (*)	8	Prigioniero	Stud	M 12 x 30 DIN 938	S		○	○	○	○	
49 (*)	2	Prigioniero	Stud	M 10 x 30 DIN 938	S		○	○	○	○	
50 (*)	4	Prigioniero	Stud	M 12 x 35 DIN 938	S		○	○	○	○	
52 (*)	8	Dado	Nut	M 12 DIN 934	S		○	○	○	○	
52.1 (*)	8	Dado	Nut	M 12 DIN 934	S		○	○	○	○	
53 (*)	4	Maniglietta	Wrench	M 12	OTS		○	○	○	○	
		Dado	Nut	M 12 DIN 934	S			○	○	○	
53.1 (*)	2	Maniglietta	Wrench	M 10	OTS		○	○	○	○	
		Dado	Nut	M 10 DIN 934	S			○	○	○	
							+M	+M			
								+M	+M		
55	4	Vite	Screw	M 6 x 20 DIN 933	S	1000 1933	○	○	○	○	
57 (*)	4	Vite	Screw	M 10 x 20 DIN 912	G321			○			
					H				○		
		1	Prigioniero	Stud	M 10 x 95	K		○			○
	2	Prigioniero	Stud	M 10 x 30 DIN 933 A2	H		○			○	
57.1 (*)	4	Vite	Screw	M 12 x 25 DIN 933	S		○	○	○	○	
57.2 (*)	1	Rondella Piatto Ant	Washer Wear Plate	M 10 DIN 125 A	K		○			○	
57.3 (*)	4	Rondella	Washer	M 12 DIN 125 A	S		○	○	○	○	
57.4 (*)	1	Dado	Nut	M 10 UNI 7474	K		○			○	

VARISCO S.p.A.

Terza Strada, 9 - Z.I. Nord - 35129 Padova - Italy

Tel. 049 82 94 111

+39 049 82 94 111

Fax 049 82 94 373

International +39 049 80 76 762



varisco
solid pumping solutions

Rif. N° Pos. Nr.	Quant.	Denominazione	Part name	Den. Comm. Type	Mat. *	Codice Nuovo New Part. No.	JS 4-250 S11	JS 4-250 G11	JS 4-250 D11	JS 4-250 R11
							○	○	○	○
58	1	Cuscinetto	Ball bearing	3308 2RS		1005 4292	○	○	○	○
59	1	Cuscinetto	Ball bearing	62208-2RS		1005 4291	○	○	○	○
60	1	Linguetta	Key	10x8x40 DIN 6885A A4	K	1000 1626	○	○	○	○
61	1	Linguetta	Key	10x8x70 DIN 6885A	S	1000 1598	○	○	○	○
62	1	Ghiera	Lock ring	M 40	S	1000 1573	○	○	○	○
63	1	Ghiera	Lock ring	35x50x10	S	1002 1222	○	○	○	○
66	1	Rondella	Washer	M 30 DIN 125A	H	1000 1716	○	○	○	○
68.5 (*)	1	Tappo	Plug	1/4"	S		○	○	○	○
70 (*)	1	Ingrassatore	Grease nipple	1/4"		1000 1662	○	○	○	○
		Cartuccia Perma	Perma cartridge			1000 8316	+P	+P	+P	+P
70.1 (*)	1	Curva	Elbow	1/4"	S					
70.2 (*)	2	Manicotto	Union	1/4"	S		+P	+P	+P	+P
70.3 (*)	2	Prolunga	Grease tube	1/4"	S		+P	+P	+P	+P
70.8 (*)	1	Rubinetto Lava Tenuta	Seal flush cock	1/4"	S		+P	+P	+P	+P
71	1	V-ring	V-ring	V 35 S	N	1000 1294	○			
(*)		Serie viterie	Set of screws			1002 5302	○			○
						1002 1368		○		
						1005 1677			○	
(**)		Serie guarnizioni	Set of gaskets		N	1001 4009	○	○	○	○
+F***		Kit flange	Kit flange	DN 100 PN16	G	1004 2352	○	○	○	○
				4" ASA150	G	1004 2820	○	○	○	○
+P***		Kit ingrassatore	Compl. Grease kit			1000 8316	○	○	○	○
+M***		Kit manigliette	Set of wrench			1004 2351		○	○	
***		Optional								

Note:	Notes:
1) Completo di prigionieri (47, 48, 49, 50) e tappo (68.5).	1) Complete with studs (47,48,49,50) and plug (68.5).
2) Completo di prigioniero e viti (57), rondella (57.2) e dado (57.4).	2) Complete with stud and screws (57), washer (57.2) and nut (57.4).
3) Completo di guarnizione (42).	3) Complete with gasket (42).
4) Completo di dado (33), rondella (66), linguette (60,61) e ghiera	4) Complete with nut (33), washer (66), keys (60,61) and lock ring
* Materiali di costruzione	* Construction material
G = Ghisa	G = Cast iron
G+N1 = Ghisa + Trattamento	G+N1 = Treated Cast iron
G+N2 = Ghisa + Trattamento	G+N2 = Treated Cast iron
G+N4 = Ghisa + Trattamento	G+N4 = Treated Cast iron
G+QPQ = Ghisa + trattamento QPQ	G+QPQ = Cast iron+ Quench Polish Quench
GS = Ghisa sferoidale	GS = Ductile cast iron
H = Acciaio INOX AISI 304	H = AISI 304 Stainless steel
K = Acciaio INOX AISI 316	K = AISI 316 Stainless steel
N = Gomma nitrile	N = Nitrile rubber
OTS = Ottone	OTS = Brass
S = Acciaio	S = Steel
S+QPQ = Acciaio + trattamento QPQ	S = Steel + Quench Polish Quench
Ordinare il materiale indicando sempre la quantità, la denominazione, il codice del pezzo, il tipo ed il numero della pompa.	When ordering spares always indicate type and serial number of pump, quantity, part name, and number.

VARISCO S.p.A.

Terza Strada, 9 - Z.I. Nord - 35129 Padova - Italy

Tel. 049 82 94 111

+39 049 82 94 111

Fax 049 82 94 373

International +39 049 80 76 762



varisco
solid pumping solutions

VARISCO S.p.A.

Terza Strada, 9 - Z.I. Nord - 35129 Padova - Italy

Tel. 049 82 94 111 +39 049 82 94 111

Fax 049 82 94 373 International +39 049 80 76 762



varisco[®]
solid pumping solutions