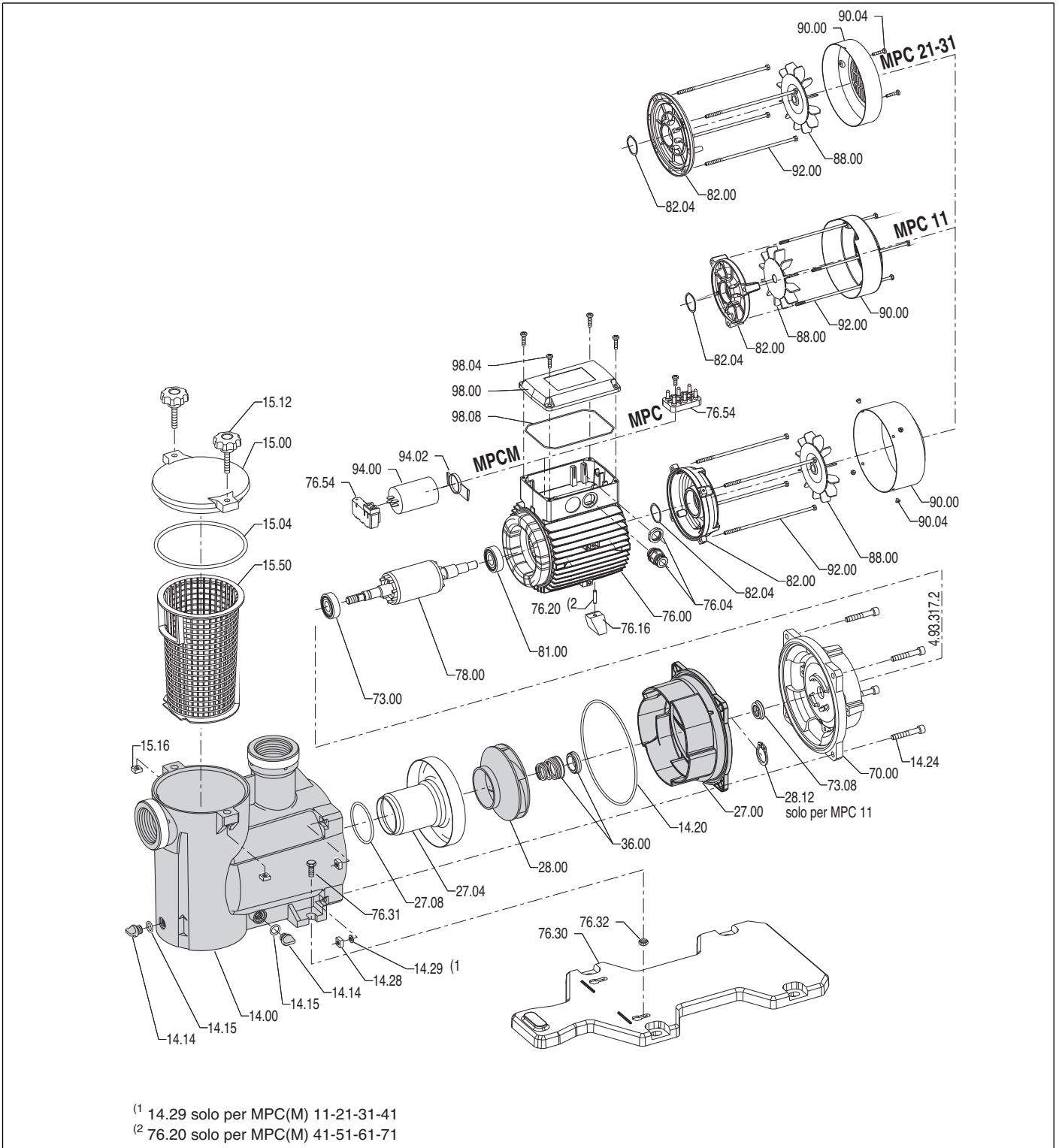


|        |        |
|--------|--------|
| MPC 11 | MPC 51 |
| MPC 21 | MPC 61 |
| MPC 31 | MPC 71 |
| MPC 41 |        |



(1) 14.29 solo per MPC(M) 11-21-31-41  
 (2) 76.20 solo per MPC(M) 41-51-61-71