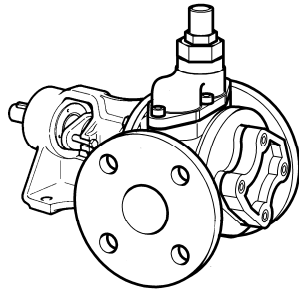
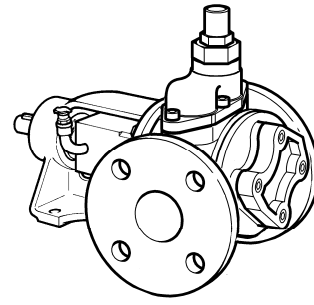


DISTINTA DELLE PARTI COSTITUENTI LE POMPE ROTATIVE VOLUMETRICHE SERIE " V "

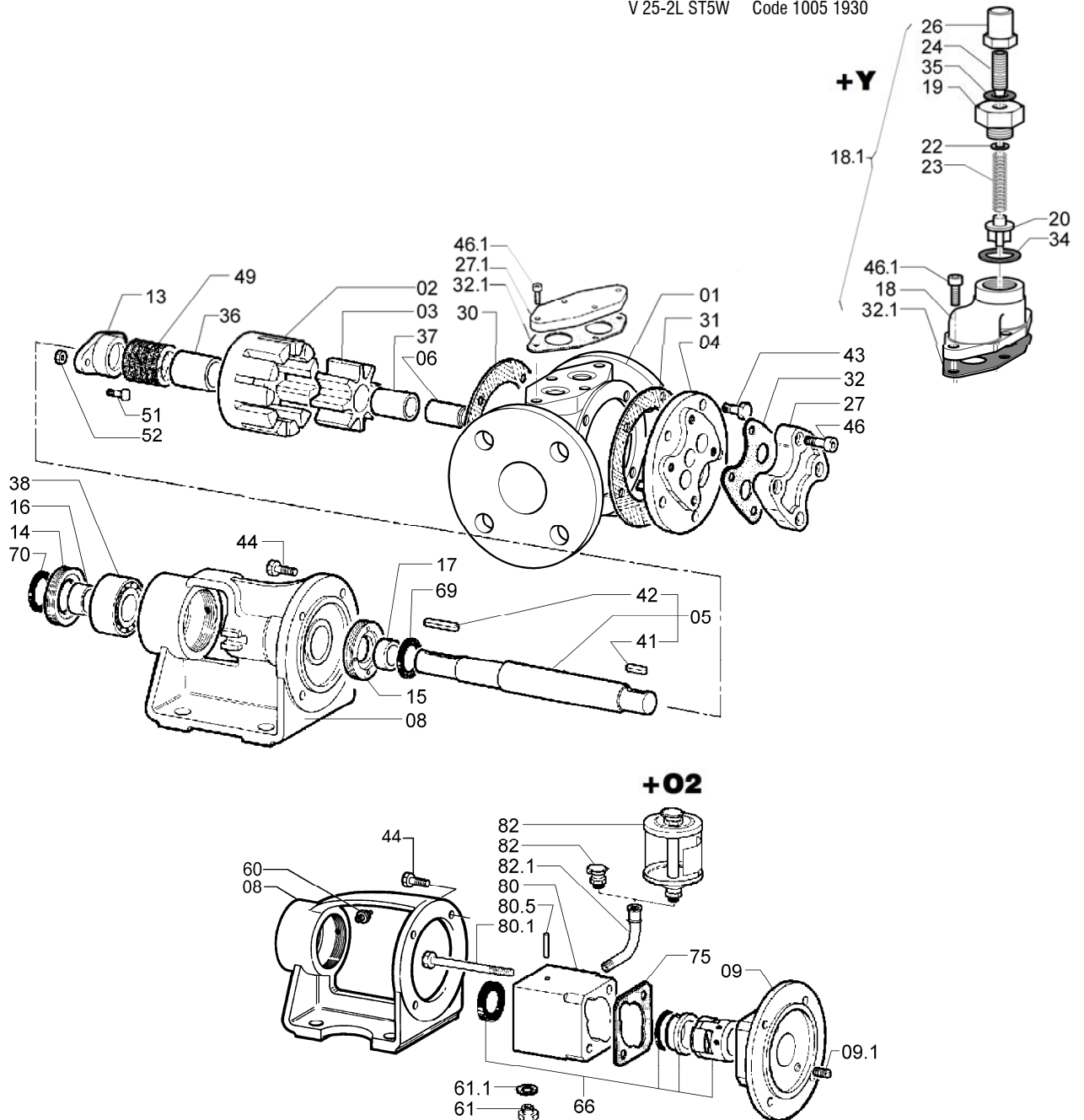
SPARE PARTS LIST FOR "V" SERIES POSITIVE-DISPLACEMENT ROTARY PUMPS



V 25-2L SPG Code 1004 0981



V 25-2L ST5WG Code 1004 0982
 V 25-2L ST5BS Code 1004 0984
 V 25-2L ST5W Code 1005 1930



Rif. N°. Pos. Nr.	Quant.	Denominazione	Part name	Den. Comm. Type	Mat.*	Codice Nuovo New Part. no.	V 25-2L SPG	V 25-2L ST5WG	V 25-2L ST5BS	V 25-2L ST5W
01	1	Corpo	Casing		G	1004 0819	○	○	○	○
02	1	Rotore	Rotor		GS	1000 6605	○	○	○	○
03	1	Ruota oziosa	Idler		G	1000 6755	○	○		○
					GH	1000 6753			○	
04	1	Coperchio	Cover		G	1000 4664	○	○	○	○
05	1	Albero (1)	Shaft (1)	D.22	SH	1000 7615	○	○		○
					K9	1000 7627			○	
06	1	Perno	Idler pin	D. 20	T3	1000 5893	○	○		○
					K9	1000 5939			○	
08	1	Supporto	Bearing housing		G	1000 6886	○			
					G	1000 6887		○	○	○
09	1	Flangia supporto	Rear cover		G	1000 5145		○	○	○
09.1	2	Vite	Screw	M 10 x 10	K	1000 1877				
13	1	Premitreccia	Gland		G	1000 6513	○			
14	1	Copricuscinetto	Bearing cover		G	1000 4790	○	○	○	○
15	1	Copricuscinetto	Bearing cover		G	1000 4791	○	○	○	○
16	1	Ghiera	Sleeve	20 x 26 x 12,5	S	1000 4238	○	○	○	○
17	1	Ghiera	Sleeve	20 x 26 x 10,5	S	1000 4243	○	○	○	○
18	1	Corpo By-pass	By-pass casing		G	1000 4472	⊕	⊕	⊕	⊕
18.1	1	By-pass	By- pass		G	1000 7751	⊕	⊕	⊕	⊕
19	1	Coperchio By-pass	By-pass cover		G	1000 4477	⊕	⊕	⊕	⊕
20	1	Valvola By-pass	By-pass check valve		H2	1000 4490	⊕	⊕	⊕	⊕
22	1	Rondella By-pass	By-pass washer		S	1000 1699	⊕	⊕	⊕	⊕
23	1	Molla By-pass	By-pass spring	D. 3 x 16,3 x 50 x 6	S	1000 5783	⊕	⊕	⊕	⊕
24	1	Vite By-pass	By-pass screw	M 16 x 50 DIN 915	S	1000 4481	⊕	⊕	⊕	⊕
26	1	Cappellotto By-pass	By-pass cap		S	1000 4539	⊕	⊕	⊕	⊕
27	1	Flangia By-pass	By-pass flange		G	1000 5123	○	○	○	○
27.1		Flangia By-pass	By-pass flange		S	1000 5129	○	○	○	○
30 (**)	1	Guarnizione corpo	Casing gasket							
31 (**)	1	Guarnizione coperchio	Cover gasket	87 x 123 x 0,5 -5F						
32 (**)	1	Guarnizione	Gasket							
32.1 (**)	1	Guarnizione	Gasket							
34	1	Guarnizione	Gasket	43 x 55 x 0,5	E3	1000 5502	⊕	⊕	⊕	⊕
35	1	Guarnizione cappell.	Cap gasket	17 x 27 x 0,5	E3	1000 5497	⊕	⊕	⊕	⊕
36	1	Bronzina supporto	Bearing bush	22 x 30 x 35	G	1000 4359	○	○		○
					GR	1000 4270			○	
37	1	Bronzina ruota oziosa	Idler bush	20 x 25 x 31 20 x 25 x 18	G	1000 4358	○	○		○
					GR	1000 4262			○	
38	1	Cuscinetto	Ball bearing	3304 HT	S	1000 1389	○	○	○	○
41	1	Linguetta	Key	6 x 6 x 20 DIN 6885A	S	1000 1587	○	○		○
					K	1000 1620			○	
42	1	Linguetta	Key	6 x 6 x 36 DIN 6885A	S	1000 1588	○	○	○	○
43 (*)	5	Vite	Screw	M 8 x 20 DIN 933	S		○	○	○	○
44 (*)	4	Vite	Screw	M 8 x 20 DIN 933	S		○			
				M 8 x 25 DIN 933	S			○	○	○
46 (*)	4	Vite	Screw	M 8 x 18 DIN 912	S		○	○	○	○
46.1	2	Vite	Screw	M 5 x 16 DIN 912	S	1000 1922	○	○	○	○
49	1	Baderna	Packing	22 x 34 x 6	TE	1000 7640	○			
51	2	Vite	Screw	M 6 x 45 DIN 933	S	1000 1935	○			
52	2	Dado	Nut	M 6 DIN 934	S	1000 1419	○			
60 (*)	1	Ingrassatore	Grease nipple	M 6	S		○	○	○	○
61	3	Tappo	Plug	R 1/4" DIN 908	S	1000 2410		○	○	○
61.1	3	Guarnizione	Gasket	1/4"	D	1000 5657		○	○	○
66	1	Tenuta completa	Mechanical seal	N 22 WCT - FL N 22 GCT - FL		1000 8942		○		○
						1000 8940			○	
69	1	Paraolio	Oil seal	DH 26 x 34 x 4		1000 1252	○	○	○	○
70	1	Paraolio	Oil seal	DH 26 x 34 x 4		1000 1252	○	○	○	○

Rif. N°. Pos. Nr.	Quant.	Denominazione	Part name	Den. Comm. Type	Mat.*	Codice Nuovo New Part. no.	V 25-2L SPG	V 25-2L ST5WG	V 25-2L ST5BS	V 25-2L ST5W
75 (**)	1	Guarnizione	Gasket	58 x 95 x 0,5						
75.1	1	Guarnizione	Gasket	58 x 95 x 0,5	E3	1000 5623				
80	1	Portatenuta	Seal box		G	1000 6185		○	○	○
80.1	2	Vite	Screw	M 8 x 80 DIN 931	S	1000 1946		○	○	○
80.5	1	Spina	Spring pin	3 x 20	H	1000 1785		○	○	○
82	1	Oliatore	Oil lubricator	R 1/4" KLG 4	S	1000 1671		○	○	○
				R 1/4"		1000 1672		⊗	⊗	⊗
82.1	1	Curva	Elbow	R 1/4"	G	1000 2292		○	○	○
(*)		Serie viterie	Set of screws			1001 5166	○			
						1001 5167		○	○	○
(**)		Serie guarnizioni	Set of gaskets		E3	1005 5331	○	○	○	○

Note:		Notes:	
1) Completo di linguette (41, 42).		1) Complete with keys (41, 42).	
① +Y	Con by-pass	① +Y	With by-pass
② +02	Con oliatore da 0.2 l in vetro	② +02	With 0.2 l glass oil lubricator
* Materiali di costruzione		* Construction materials	
D	= Guarnital o fibra	D	= Guarnital or fiber
E3	= Centellen VS 3820	E3	= Centellen VS 3820
G	= Ghisa	G	= Cast iron
GH	= Ghisa sulinizzata	GH	= Sulfured cast iron
GR	= Grafite	GR	= Graphite
GS	= Ghisa sferoidale	GS	= Ductile cast iron
H	= Acciaio inox AISI 304	H	= AISI 304 stainless steel
H2	= Acciaio inox AISI 420	H2	= AISI 420 stainless steel
K9	= Acciaio inox AISI 329	K9	= AISI 329 stainless steel
S	= Acciaio	S	= Steel
SH	= Acciaio trattato	SH	= Hardened steel
TE	= Teflon	TE	= Teflon
T3	= Acciaio K100	T3	= K100 steel
Ordinare il materiale indicando sempre la quantità, la denominazione, il codice del pezzo, il tipo ed il numero della pompa.		When ordering spares always indicate type and serial number of pump, quantity, part name, and number.	

VARISCO S.p.A.
35129 Padova - Z.I. Nord Terza Strada, 9
Tel. 049 82 94 111 +39 049 82 94 111
Fax 049 82 94 373 International +39 049 80 76 762

