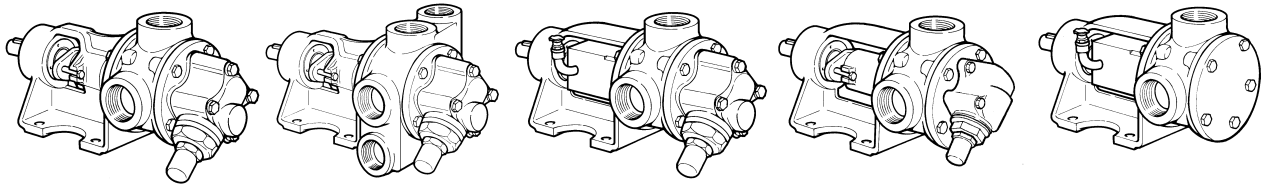
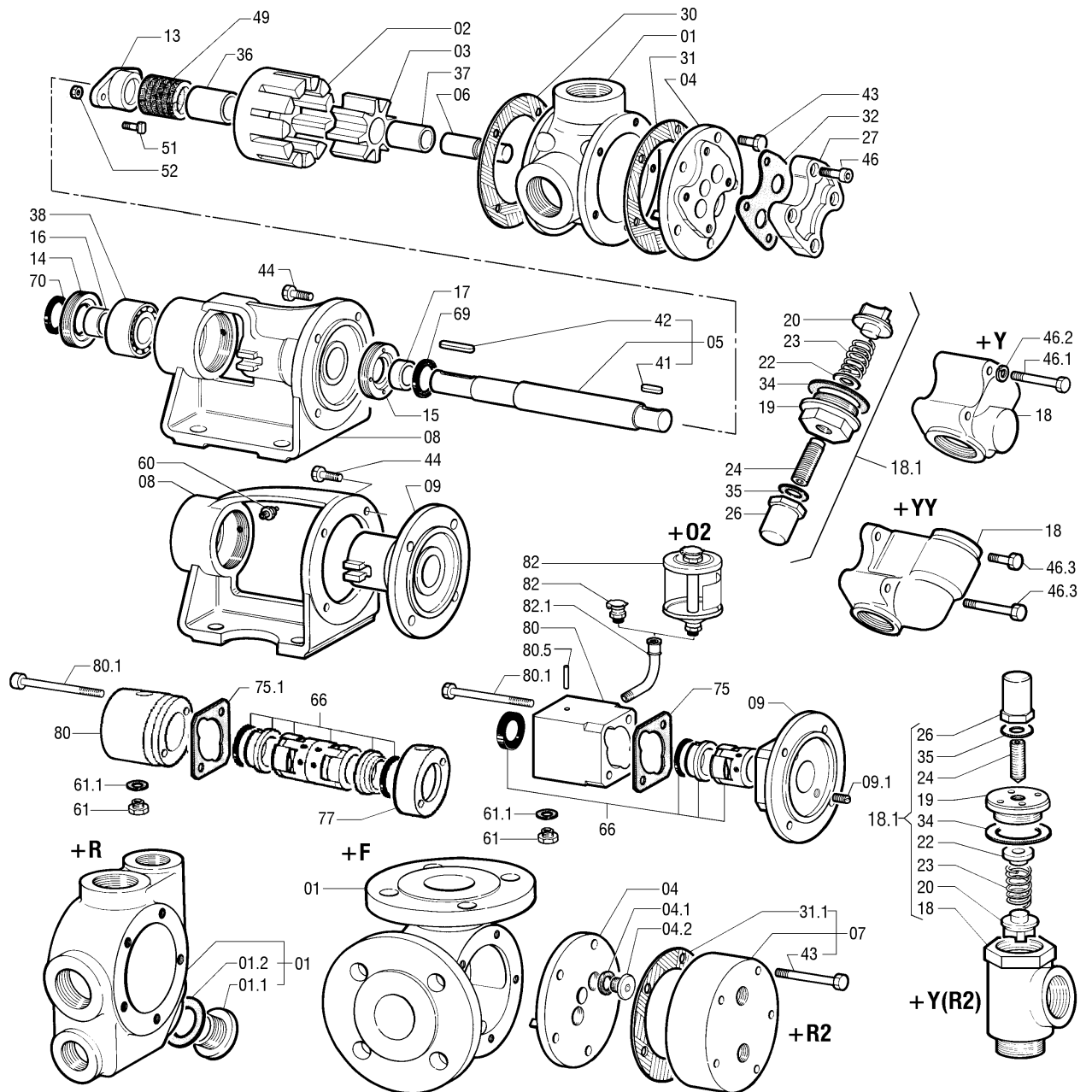


DISTINTA DELLE PARTI COSTITUENTI LE POMPE ROTATIVE VOLUMETRICHE SERIE "V"
SPARE PARTS LIST FOR "V" SERIES POSITIVE-DISPLACEMENT ROTARY PUMPS
LISTE DES PIECES DE RECHANGE POUR POMPES ROTATIVES VOLUMETRIQUES SERIE "V"
ERSATZTEILLISTE FÜR SELBSTANSAUGENDE INNENZAHNRADPUMPEN SERIE "V"



V 30-2 SPG Code 1000 9971 V 30-2 SPHTR Code 1000 9986 V 30-2 ST5WG Code 1000 9999 V 30-2 SPK Code 1001 0081 V 30-2 ST6WAT Code 1001 0036
 V 30-2 ST5BS Code 1000 9988
 V 30-2 ST5K Code 1001 0063
 V 30-2 ST8WG Code 1001 0045



Rif. N°. Pos. Nr.	Quant.	Denominazione	Part name	Den. Comm. Type	Mat.*	Codice Vecchio Old Part. no.	Codice Nuovo New Part. no.	V 30-2 SPG	V 30-2 SPHTR	V 30-2 ST5WG	V 30-2 ST5BS	V 30-2 ST6WAT	V 30-2 ST6WG	V 30-2 ST6SPK	V 30-2 ST6SK	
								○	○	○	○	○	○	○	○	○
01	1	Corpo	Casing		G	3319 3001	1000 4919	○		○	○		○			
					GS	3319 3002	1000 4920	①		①	①		①			
		(1)	(1)		GS	3319 3006	1000 8051	②	○	②	②		②			
					SH	3319 4004	1000 4975					○				
					K	3319 5020	1000 4993							○	○	
					K	3319 5025	1000 5001						①	①		
01.1	1	Tappo	Plug	R1" DIN 908	S	1671 4006	1000 2412	②	○	②	②		②			
01.2	1	Guarnizione	Gasket	33 x 39 x 2	E3	3450 0605	1000 5661	②	○	②	②		②			
02	1	Rotore	Rotor		GS	3765 3031	1000 6607	○	○	○	○		○			
					SH	3765 4003	1000 6619					○				
					K	3765 5026	1000 6694							○	○	
03	1	Ruota oziosa	Idler		G	3780 3036	1000 6757	○	○	○			○			
					GH	3780 3034	1000 6754				○					
					SH	3780 4012	1000 6787					○				
					K	3780 5019	1000 6832							○	○	
04	1	Coperchio	Cover		G	3270 3002	1000 4665	○	○	○	○		○			
					SH	3270 4001	1000 4704					○				
					K	3270 5026	1000 4748							○	○	
					K	3270 5028	1000 4752						③	③	③	
04.1	2	Guarnizione	Gasket	1/2"	E3	3450 0601	1000 5658					③	③	③		
04.2	2	Tappo	Plug	R 1/2" DIN 908	K	1671 5004	1000 2415					③	③	③		
05	1	Albero (2)	Shaft (2)	D.22	SH	5032 4000	1000 7615	○	○	○		○	○			
					K9	5032 5023	1000 7627				○			○	○	
06	1	Perno	Idler pin	D. 20	T3	3540 4002	1000 5893	○	○	○			○			
					K9	3540 5034	1000 5939				○			○	○	
				D. 25	T3	3540 4001	1000 5892					○				
07	1	Camera di prerisc. (3)	Heating jacket (3)		S	5135 4000	1000 7775					③	③	③		
08	1	Supporto	Bearing housing		G	3872 3000	1000 6886	○	○							
					G	3872 3001	1000 6887			○	○	○	○	○	○	
09	1	Flangia supporto	Rear cover		G	3375 3001	1000 5145			○	○	○				
					G	3375 3026	1000 5157						○			
					K	3375 5000	1000 5171							○		
					K	3375 5004	1000 5172								○	
09.1	2	Vite	Screw	M 10 x 10	K	1470 5000	1000 1877					○				
13	1	Premitreccia	Gland		G	3690 3000	1000 6513	○	○							
					K	3690 5000	1000 6523								○	
14	1	Copricuscinetto	Bearing cover		G	3287 3000	1000 4790	○		○	○	○	○	○	○	
					G	3287 3002	1000 4792	②	○	②	②		②			
15	1	Copricuscinetto	Bearing cover		G	3287 3001	1000 4791	○		○	○	○	○	○	○	
					G	3287 3003	1000 4793	②	○	②	②		②			
					G	3287 3034	1000 4818							○		
16	1	Ghiera	Sleeve	20 x 26 x 12,5	S	3107 4501	1000 4238	○	○	○	○	○	○	○		
17	1	Ghiera	Sleeve	20 x 26 x 10,5	S	3107 4507	1000 4243	○	○	○	○	○	○	○		
18	1	Corpo By-pass	By-pass casing		G	3240 3007	1000 4452	④	④	④	④		④			
					G	3240 3010	1000 4454	⑤	⑤	⑤	⑤		⑤			
					K	3240 5088	1000 4547								④	④
					K	3240 5011	10004499					⑦		⑦	⑦	
18.1	1	By-pass	By- pass		G	5090 3001	1000 7734	④	④	④	④		④			
					G	5090 3020	1000 7743	⑤	⑤	⑤	⑤		⑤			
					K	5090 5028	1000 7770								④	④
					K	5090 5001	1000 7756					⑦		⑦	⑦	
19	1	Coperchio By-pass	By-pass cover		G	3240 3000	1000 4448	④	④	④	④		④			
					G	3240 4000	1000 4477	⑤	⑤	⑤	⑤		⑤			
					K	3240 5076	1000 4540								④	④
					KNM	3240 5005	1000 4495					⑦		⑦	⑦	
20	1	Valvola By-pass	By-pass check valve		H2	3240 5024	1000 4507	④	④	④	④		④			
					H2	3240 4016	1000 4490	⑤	⑤	⑤	⑤		⑤			
					K	3240 5078	1000 4542								④	④
					K	3240 5025	1000 4508					⑦		⑦	⑦	

VARISCO S.p.A.

35129 Padova - Z.I. Nord Terza Strada, 9

Tel. 049 82 94 111

+39 049 82 94 111

Fax 049 82 94 373

International +39 049 80 76 762



Rif. N°. Pos. Nr.	Quant.	Denominazione	Part name	Den. Comm. Type	Mat.*	Codice Vecchio Old Part. no.	Codice Nuovo New Part. no.	V 30-2 SPG	V 30-2 SPHTR	V 30-2 ST5WG	V 30-2 ST5BS	V 30-2 ST6WAT	V 30-2 ST8WG	V 30-2 SPK	V 30-2 ST5K
22	1	Rondella By-pass	By-pass washer		S	1450 4016	1000 1699	④	④	④	④		④		
	2				S	1450 4016	1000 1699	⑤	⑤	⑤	⑤		⑤		
	1				K	1450 5003	1000 1706							④	④
	1				K	3240 5017	1000 4503						⑦	⑦	⑦
23	1	Molla By-pass	By-pass spring	D. 3 x 16,3 x 50 x 6	S	3495 4010	1000 5783	④	④	④	④		④		
	2			S	3495 4010	1000 5783	⑤	⑤	⑤	⑤		⑤			
	1			K	3495 5009	1000 5799							④	④	
	1			K	3495 5017	1000 5804						⑦	⑦	⑦	
24	1	Vite By-pass	By-pass screw	M 16 x 50 DIN 915	S	3240 4005	1000 4481	④	④	④	④		④		
	2			S	3240 4005	1000 4481	⑤	⑤	⑤	⑤		⑤			
	1			K	3240 5077	1000 4541							④	④	
	1			K	3240 5032	1000 4513						⑦	⑦	⑦	
26	1	Cappellotto By-pass	By-pass cap		S	3240 2001	1000 4442	④	④	④	④		④		
	2				S	3240 2001	1000 4442	⑤	⑤	⑤	⑤		⑤		
	1				K	3240 5075	1000 4539							④	④
	1				K	3240 5000	1000 4493						⑦	⑦	⑦
27	1	Flangia By-pass	By-pass flange		G	3362 3000	1000 5123	○	○	○	○		○		
					K	3362 5007	1000 5143								○
30 (**)	1	Guarnizione corpo	Casing gasket												
31 (**)	1	Guarnizione coperchio	Cover gasket	87 x 123 x 0,5 -5F											
31.1	1	Guarnizione	Gasket	87 x 123 x 0,5 -5F	E3	3450 0100	1000 5520					③	③	③	
32 (**)	1	Guarnizione	Gasket												
34	1	Guarnizione	Gasket	43 x 55 x 0,5	E3	3450 0016	1000 5501	④	④	④	④		④		
	2			E3	3450 0017	1000 5502	⑤	⑤	⑤	⑤		⑤			
	1			E3	3450 0017	1000 5502							④	④	
	1			E3	3450 0015	1000 5500						⑦	⑦	⑦	
35	1	Guarnizione cappell.	Cap gasket	17 x 27 x 0,5	E3	3450 0011	1000 5497	④	④	④	④		④	④	④
	2			E3	3450 0011	1000 5497	⑤	⑤	⑤	⑤		⑤			
	1			E3	3450 0029	1000 5512						⑦	⑦	⑦	
36	1	Bronzina supporto	Bearing bush	22 x 30 x 35	G	3120 3036	1000 4359	○		○			○		
					B4	3120 2012	1000 4301		○						
					GR	3120 0021	1000 4270				○			○	○
					T3	3120 4000	1000 4361						○		
37	1	Bronzina ruota oziosa	Idler bush	20 x 25 x 31	G	3120 3035	1000 4358	○		○			○		
				20 x 25 x 32	B4	3120 2000	1000 4300		○						
					GR	3120 0011	1000 4263			○			○	○	
38	1	Cuscinetto	Ball bearing	3304 HT	S	1418 0092	1000 1389	○	○	○	○	○	○	○	○
41	1	Linguetta	Key	6 x 6 x 20 DIN 6885A	S	1434 4007	1000 1587	○	○	○			○		
					K	1434 5003	1000 1620					○	○		○
42	1	Linguetta	Key	6 x 6 x 36 DIN 6885A	S	1434 4008	1000 1588	○	○	○	○	○	○	○	○
43 (*)	5	Vite	Screw	M 8 x 20 DIN 933	S			○	○	○	○	○	○		
				M 8 x 25 DIN 933	K									○	○
				M 8 x 60 DIN 933	K	1478 5020	1000 2038						③	③	③
44 (*)	4	Vite	Screw	M 8 x 20 DIN 933	S			○	○						
				M 8 x 25 DIN 933	S					○	○	○	○		
				M 8 x 25 DIN 933	K									○	○
46 (*)	4	Vite	Screw	M 8 x 18 DIN 912	S			○	○	○	○	○	○		
				M 8 x 16 DIN 933	K									○	○
46.1	4	Vite	Screw	M 8 x 60 DIN 931	S	1478 4018	1000 1944	④	④	④	④		④		
	2			K	1476 5026	1000 1923							④	④	
	2			K	1476 5028	1000 1924							④	④	
46.2	4	Rondella	Washer	M 8 DIN 127B	S	1448 4003	1000 1679	④	④	④	④		④		
46.3	2	Vite	Screw	M 8 x 20 DIN 933	S	1478 4010	1000 1937	⑤	⑤	⑤	⑤		⑤		
	2			S	1478 4017	1000 1943	⑤	⑤	⑤	⑤		⑤			
49	1	Baderna	Packing	22 x 34 x 6	TE	5060 0005	10007640	○						○	
				22 x 34 x 6 UP3075		5060 0015	10007645	②	○					②	
51	2	Vite	Screw	M 6 x 45 DIN 933	S	1478 4008	1000 1935	○	○						
					K	1478 5006	1000 2025								○
52	2	Dado	Nut	M 6 DIN 934	S	1420 4003	1000 1419	○	○						
					K	1420 5002	1000 1433								○

VARISCO S.p.A.

35129 Padova - Z.I. Nord Terza Strada, 9

Tel. 049 82 94 111

+39 049 82 94 111

Fax 049 82 94 373

International +39 049 80 76 762



Rif. N° Pos. Nr.	Quant.	Denominazione	Part name	Den. Comm. Type	Mat.*	Codice Vecchio Old Part. no.	Codice Nuovo New Part. no.	V 30-2 SPG	V 30-2 SPHTR	V 30-2 ST5WG	V 30-2 ST5BS	V30-2 ST6WAT	V 30-2 ST8WG	V 30-2 SPK	V 30-2 ST5K	
60 (*)	1	Ingrassatore	Grease nipple	M 6	S			○	○	○	○	○	○	○	○	
61	3	Tappo	Plug	R 1/4" DIN 908	S	1671 4002	1000 2410			○	○	○				
	1				S	1671 4002	1000 2410					○				
	3				K	1671 5002	1000 2414								○	
61.1	3	Guarnizione	Gasket	1/4"	D	3450 0600	1000 5657			○	○	○			○	
	1				D	3450 0600	1000 5657						○			
66	1	Tenuta completa	Mechanical seal	N 22 WCT - FL		5919 4002	1000 8942			○						
						5919 4000	1000 8940				○				○	
						5919 4003	1000 8943					○				
						5917 4002	1000 8909							○		
69	1	Paraolio	Oil seal	DH 26 x 34 x 4		1406 6000	1000 1252	○		○	○	○	○	○		
70	1	Paraolio	Oil seal	DH 26 x 34 x 4		1406 6000	1000 1252	○		○	○	○	○	○		
75 (**)	1	Guarnizione	Gasket	58 x 95 x 0,5												
75.1	1	Guarnizione	Gasket	58 x 95 x 0,5	E3	3450 0371	1000 5623						○			
77	1	Portatenuta	Seal box		G	3615 3301	1000 6171						○			
80	1	Portatenuta	Seal box		G	3615 3327	1000 6185			○	○	○				
					G	3615 3303	1000 6172						○			
					K		1001 7566								○	
80.1	2	Vite	Screw	M 8 x 80 DIN 931	S	1478 4022	1000 1946			○	○	○				
					K	1476 5022	1000 1920						○			
					K	1478 5023	1000 2041								○	
80.5	1	Spina	Spring pin	3 x 20	H	1463 5008	1000 1785			○	○	○			○	
					H	1463 5003	1000 1782							○		
82	1	Oliatore	Oil lubricator	R 1/4" KLG 4	S	1444 0053	1000 1671			○	○	○			○	
						1444 0055	1000 1672			⑥	⑥	⑥			⑥	
82.1	1	Curva	Elbow	R 1/4"	G	1601 3002	1000 2292			○	○	○			○	
(*)		Serie viterie	Set of screws				1001 5166	○	○							
							1001 5167			○	○	○				
							1001 5168								○	○
(**)		Serie guarnizioni	Set of gaskets		E3		1001 4954	○	○					○		
					E3		1001 4955			○	○	○	○		○	

Note:

- 1) Completo di tappo e guarnizione (01.1, 01.2)
- 2) Completo di linguette (41, 42)
- 3) Completo viti (43) e guarnizione (31.1)

- ① +F Con flange DN 40 PN 16
- ② +R Con camera di preriscaldamento attorno al corpo
- ③ +R2 Con camera di preriscaldamento sul coperchio
- ④ +Y Con by-pass
- ⑤ +YY Con doppio by-pass
- ⑥ +02 Con oliatore da 0.2 l in vetro
- ⑦ +Y+R Con by pass e camera di preriscaldamento sul coperchio

* Materiali di costruzione

B4	=	Bronzo AD4
D	=	Guarnital o fibra
E3	=	Centellen VS 3820
G	=	Ghisa
GH	=	Ghisa sutfinizzata
GR	=	Grafite
GS	=	Ghisa sferoidale
H	=	Acciaio inox AISI 304
H2	=	Acciaio inox AISI 420
K	=	Acciaio inox AISI 316
K9	=	Acciaio inox AISI 329
KNM	=	Acciaio inox AISI 316 + Nitrazione morbida
S	=	Acciaio
SH	=	Acciaio trattato
TE	=	Teflon
T3	=	Acciaio K100
W	=	Carburo di Tungsteno

Ordinare il materiale indicando sempre la quantità, la denominazione, il codice del pezzo, il tipo ed il numero della pompa.

Notes:

- 1) Complete with plug and gasket (01.1, 01.2)
- 2) Complete with keys (41, 42)
- 3) Complete with screws (43) and gasket (31.1)

- ① +F With DN 40 PN 16 flanges
- ② +R Heating jacket cast integral with the casing
- ③ +R2 Heating jacket on cover
- ④ +Y With by-pass
- ⑤ +YY With double by-pass
- ⑥ +02 With 0.2 l glass oil lubricator
- ⑦ +Y+R With by-pass and heating jacket on cover

* Construction materials

B4	=	AD4 Bronze
D	=	Guarnital or fiber
E3	=	Centellen VS 3820
G	=	Cast iron
GH	=	Sulfured cast iron
GR	=	Graphite
GS	=	Ductile cast iron
H	=	AISI 304 stainless steel
H2	=	AISI 420 stainless steel
K	=	AISI 316 stainless steel
K9	=	AISI 329 stainless steel
KNM	=	AISI 316 stainless steel + liquid nitriding
S	=	Steel
SH	=	Hardened steel
TE	=	Teflon
T3	=	K100 steel
W	=	Tungsten carbide

When ordering spares always indicate type and serial number of pump, quantity, part name, and number.

VARISCO S.p.A.

35129 Padova - Z.I. Nord Terza Strada, 9

Tel. 049 82 94 111

+39 049 82 94 111

Fax 049 82 94 373

International +39 049 80 76 762

