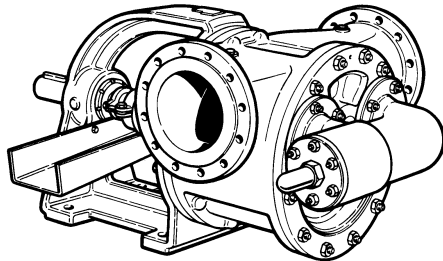
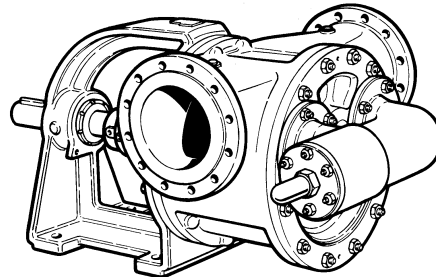


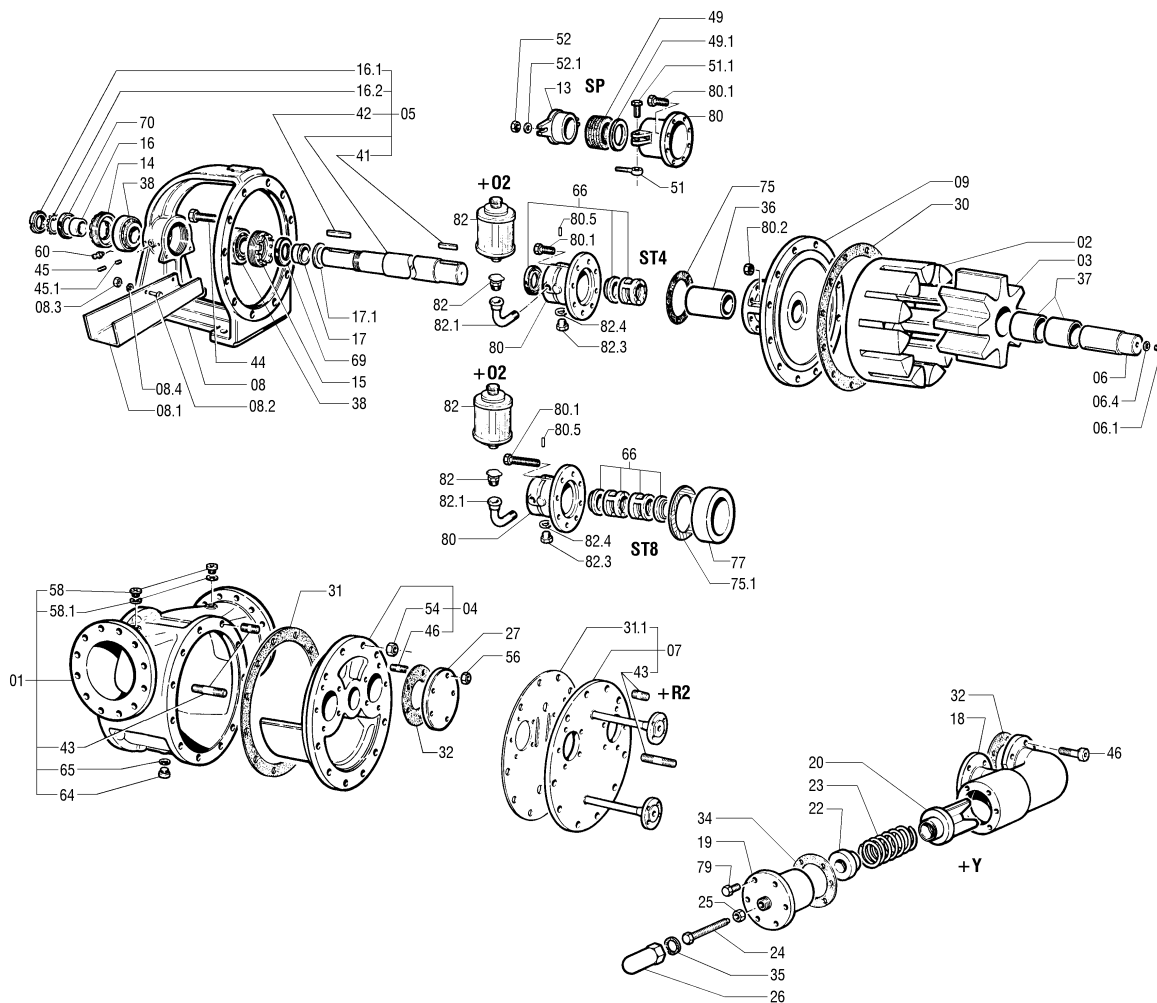
DISTINTA DELLE PARTI COSTITUENTI LE POMPE ROTATIVE VOLUMETRICHE SERIE "V"
SPARE PARTS LIST FOR "V" SERIES POSITIVE-DISPLACEMENT ROTARY PUMPS
LISTE DES PIECES DE RECHANGE POUR POMPES ROTATIVES VOLUMETRIQUES SERIE "V"
ERSATZTEILLISTE FÜR SELBSTANSAUGENDE INNENZAHNRADPUMPEN SERIE "V"



V200 SP Code 1001 0486
 V200 SPK Code 1001 0497



V200 ST4W Code 1001 0494
 V200 ST4BS Code 1001 0493
 V200 ST4K Code 1001 0498



Rif. N°. Pos. Nr. Ref. no. Réf. N°.	Quant.	Denominazione	Part name	Den. Comm. Type	Mat.*	Codice Vecchio Old Part No.	Codice Nuovo New Part No.	V200 SP	V200 ST4W	V200 ST4BS	V200 SPK	V200 ST4K
01	1	Corpo (1)	Casing (1)		GS	5319 3061		○	○	○	○	○
					K	5319 5012						
02	1	Rotore	Rotor		GS	3765 3033	10006609	○	○	○		
					K	3765 5010	10006675				○	○
03	1	Ruota oziosa (2)	Idler (2)		GS	5780 3045		○	○			
					GSH	3780 3055	10006772			○		
					K	5780 5014	10008630				○	○
04	1	Coperchio (3)	Cover (3)		GS	5270 3030		○	○	○		
					K	3270 5011	10004730				○	○
05	1	Albero (4)	Shaft (4)	D. 90	SH	5032 4027	10007624		○			
				D. 80	SH	4999 1003	1000 7523	○				
				D. 90	K9	5032 5049	10007637			○	○	○
06	1	Perno	Idler pin	D.90	T	3540 4025	10005903	○	○			
					K9	3540 5061	10005946			○	○	○
06.1	1	Tappo	Plug	R ¼" DIN 908	S	1671 4002	10002410	○	○	○		
					K	1671 5002	10002414				○	○
				R ¼" DIN 906	S	1674 3002	10002430	①	①	①	①	①
06.4	1	Guarnizione	Gasket		D	3450 0600	10005657	○	○	○	○	○
07	1	Camera di preriscald. (5)	Heating jacket (5)		S	5135 4008		①	①	①	①	①
08	1	Supporto	Bearing housing		GS	3872 3030	10006897	○	○	○	○	○
08.1	1	Colatoio	Drip tray		S	3435 4005	10005481	○				
					K	3435 5005	10005486				○	
08.2	2	Vite	Screw	M 8 x 25 DIN 933	S	1478 4011	10001938	○				
					K	1478 5010	10002029				○	
08.3	2	Dado	Nut	M 8 DIN 934	S	1420 4004	10001420	○				
					K	1420 5004	10001435				○	
08.4	2	Rondella	Washer	M 8 DIN 125 A	S	1450 4003	10001689	○				
					K	1450 5016	10001718				○	
09	1	Flangia supporto (6)	Rear cover (6)		GS	3375 3031	10005160		○	○		
					K	5375 5043					○	○
					GS	3375 3027	1000 5158	○				
13	1	Premitreccia	Gland		G	3690 3014	10006522	○				
					G	3690 3011	1000 6521	○				
					K	3690 5013	10006531				○	
14	1	Copricuscinetto	Bearing cover		G	3287 3026	10004812	○	○	○	○	○
15	1	Copricuscinetto	Bearing cover		G	3287 3026	10004812	○	○	○	○	○
16	1	Ghiera	Sleeve	70 x 80 x 31	S	3107 4506	10004242	○	○	○	○	○
16.1	1	Ghiera	Sleeve	M 70 x 2 KM14	S	1430 4010	10001579	○	○	○	○	○
16.2	1	Rondella	Washer	D. 70 UNI 3073	S	1452 4004	10001723	○	○	○	○	○
17	1	Ghiera	Sleeve	70 x 80 x 37	S	3107 4511	10004247	○	○	○	○	○
17.1	1	Anello spartiacque	Water deflector		K	3045 5080	10004116	○	○	○	○	○
18	1	Corpo By-pass	By-pass casing		GS	3240 3041	10004474	②	②	②		
					K	3240 5095	1001 9723				②	②
18.1	1	By-pass	By-pass		GS	5090 3046	1000 7755					
					K		1001 9726					
19	1	Coperchio By-pass	By-pass cover		GS	3240 3042	10004475	②	②	②		
					K	3240 5094	10004552				②	②
20	1	Valvola By-pass	By-pass check valve		GS	3240 3043	10004476	②	②	②		
					K	3240 5097	10004554				②	②
22	1	Piattello By-pass	By-pass plate		G	3240 3040	10004473	②	②	②		
					K	3240 5096	10004553				②	②
23	1	Molla By-pass	By-pass spring	D. 16 x 90 x 350	S	3495 4029	10005793	②	②	②		②
24	1	Vite By-pass	By-pass screw	M 12 x 50 DIN 914	K	3240 5092	10004549	②	②	②	②	②
25	1	Dado	Nut		K	3240 5093	10004551	②	②	②	②	②
26	1	Cappellotto By-pass	By-pass cap		S	3240 4020	10004492	②	②	②		
					K	3240 5091	10004548				②	②
27	2	Flangia By-pass	By-pass flange		S	3362 4007	10005135	○	○	○		
					K	3362 5004	10005140				○	○

VARISCO S.p.A.

Terza Strada, 9 - Z.I. Nord - 35129 Padova - Italy

Tel. 049 82 94 111

+39 049 82 94 111

Fax 049 82 94 373

International +39 049 80 76 762

 **varisco**
solid pumping solutions

Rif. N°. Pos. Nr. Ref. no. Réf. N°.	Quant.	Denominazione	Part name	Den. Comm. Type	Mat.*	Codice Vecchio Old Part No.	Codice Nuovo New Part No.	V200 SP	V200 ST4W	V200 ST4BS	V200 SPK	V200 ST4K
30 (**)	1	Guarnizione corpo	Casing gasket	451 x 549 x 0,5								
31 (**)	1	Guarnizione coperchio	Cover gasket	126 x 164 x 0,5								
31.1	1	Guarnizione	Gasket		E3	3450 0057	10005518	①	①	①	①	①
32 (**)	2	Guarnizione flangia	Flange gasket	111 x 219 x 0,5								
34	1	Guarnizione coperchio	Cover gasket		E3	3450 0034	10005515	②	②	②	②	②
35	1	Guarnizione cappello	Cap gasket		E3	3450 0016	10005501	②	②	②	②	②
36	1	Bronzina supporto	Bearing bush	90 x 110 x 150	AD10	3120 2079	10004328		○			
				80 x 110 x 150	AD 10	3120 2066	1000 4321	○				
				90 x 110 x 150	GR	3120 0069	10004295			○	○	○
37	1	Bronzina ruota oziosa	Idler bush	90 x 110 x 200	AD10	3120 2067	1000 4322	○	○			
				90 x 110 x 100	GR	3120 0020	1000 4269			○	○	○
38	2	Cuscinetto	Ball bearing	32214 A	S	1418 0023	10001344	○	○	○	○	○
41	1	Linguetta	Key	20 x 12 x 90 DIN 6585A	K	1434 5017	10001632	○	○	○	○	○
42	1	Linguetta	Key	18 x 11 x 120 DIN6585A	S	1434 4026	10001604	○	○	○	○	○
43 (*)	10	Prigioniero	Stud	M 20 x 50 DIN 938	S	1468 4019	10001833	○	○	○		
				M 20 x 45 DIN 938	K	1468 5011	10001852				○	○
				M 20 x 90	S	3975 4011	10006912	①	①	①	①	①
	2	Vite	Screw	M 16 x 60 DIN 912	S	1476 4032	1000 1901	○	○	○		
				M 16 x 60 DIN 912	K	1476 5032	1000 1926				○	○
2	Vite	Screw	M 16 x 80 DIN 912	S	1476 4033			①	①	①	①	
44 (*)	12	Vite	Screw	M 20 x 80 DIN 931	S	1478 4067	10001984	○	○	○		
					K	1478 5062	10002066				○	○
45 (*)	2	Vite	Screw	M 8 x 20 DIN 913	S	1470 4005	10001865	○	○	○	○	○
45.1 (*)	2	Pastiglia	Shim	D. 6 x 5		3885 2002	10006901	○	○	○	○	○
46 (*)	8	Vite	Screw	M 16 x 35 DIN 912	S	1476 4016	10001891	○	○	○		
					K	1476 5035	1000 1929				○	○
					S	1476 4032	10001901	①	①	①	①	①
49	1	Baderna	Packing	D. 90		5060 0048	10007651				○	
				D. 80			1000 0016	○				
49.1	1	Anello	Ring		K	3045 5119	10004137				○	
							3045 5038	1000 4101	○			
51	2	Tirante	Eyebolt	M 12 x 70 DIN 444B	H	1466 5003	10001816	○			○	
51.1	2	Vite	Screw	M 12 x 35 DIN 933	S	1478 4040	10001961	○				
					K	1478 5063	10002067				○	
52	2	Dado	Nut	M 12 DIN 934	S	1420 4006	10001422	○				
					K	1420 5008	10001439				○	
52.1	2	Rondella	Washer	M 12 DIN 125 A	S	1450 4016	10001699	○				
					K	1450 5003	10001706				○	
54 (*)	10	Dado	Nut	M 20 DIN 934	S	1420 4010	10001426	○	○	○		
					K	1420 5013	10001444				○	○
58 (*)	2	Tappo	Plug	R ¼" DIN 908	S	1671 4002	10002410	○	○	○		
					K	1671 5002	10002414				○	○
58.1 (**)	2	Guarnizione	Gasket	¼"	R	3450 2600	10005669	①	①	①	①	①
60 (*)	1	Ingrassatore	Grease nipple	¼"	S	1444 0007	10001662	○	○	○	○	○
64 (*)	1	Tappo	Plug	R 1" DIN 908	S	1671 4006	10002412	○	○	○		
					K	1671 5006	10002416				○	○
65 (**)	1	Guarnizione	Gasket	1"	R	3450 2603	10005672	①	①	①	①	①
66	1	Tenuta completa	Mechanical seal	N 90 YYT - FL		5919 4087	10008983		○			
				N 90 GCT - FL		5919 4069	10008970			○		○
68	1	Paraolio	Oil seal	90 x 110 x 10	TE	1406 6054	1000 1283		○	○		○
69	1	Paraolio	Oil seal	V 80	S	1408 6011	10001300	○	○	○	○	○
70	1	Paraolio	Oil seal	V 80	S	1408 6011	10001300	○	○	○	○	○
75 (**)	1	Guarnizione	Gasket	146 x 189 x 0,5								
79	6	Vite	Screw	M 12 x 35 DIN 933	S	1478 4040	10001961	②	②	②		
					K	1478 5063	10002067				②	②

VARISCO S.p.A.

Terza Strada, 9 - Z.I. Nord - 35129 Padova - Italy

Tel. 049 82 94 111

+39 049 82 94 111

Fax 049 82 94 373

International +39 049 80 76 762



Rif. N°. Pos. Nr. Ref. no. Réf. N°.	Quant.	Denominazione	Part name	Den. Comm. Type	Mat.*	Codice Vecchio Old Part No.	Codice Nuovo New Part No.	V200 SP	V200 ST4W	V200 ST4BS	V200 SPK	V200 ST4K
80	1	Portabaderna	Stuffing box	D. 90	G	3615 3027	10006167	○				
					K	3615 5016	10006213				○	
	1	Portatenuta	Seal box		G	3615 3353	1000 6194		○	○		
					K	3615 5355	10006239					○
80.1	8	Vite	Screw	M 8 x 40 DIN 931	S	1478 4014	10001941	○	○	○		
				M 8 x 40 DIN 931	K	1478 5016	10002035				○	○
80.2	8	Dado	Nut	M 8 DIN 934	S	1420 4004	10001420	○	○	○		
					K	1420 5004	10001435				○	○
80.5	1	Spina	Spring pin	4 x 20	H	1463 5007	10001784		○	○		○
82	1	Oliatore	Oil lubricator	R 1/4" KLG 4	S	1444 0053	10001671		○	○		○
						1444 0055	10001672		③	③		③
82.1	1	Curva	Elbow	R 1/4"	G	1601 3002	10002292		○	○		○
82.3	3	Tappo	Plug	R 1/4" DIN 908	S	1671 4002	10002410		○	○		
					K	1671 5002	10002414					○
82.4	3	Guarnizione	Gasket		D	3450 0600	10005657		○	○		○
(*)		Serie viterie	Set of screws				1001 5182	○	○	○		
							1001 5184				○	○
(**)		Serie guarnizioni	Set of gaskets				1001 4971	○	○	○	○	○

Note:

- 1) Completo di tappi (58, 64) e guarnizioni (58.1, 65).
- 2) Completo di bronzine (37).
- 3) Completo di prigionieri (46).
- 4) Completo di ghiera (16, 16.2) e linguette (41, 42).
- 5) Completo di prigionieri (43) e guarnizione (31.1).
- 6) Completo di bronzina (36).

- ① +R2 Con camera di preriscaldamento sul coperchio.
 ② +Y Con by-pass.
 ③ +O2 Con oliatore da 140 ml in vetro.

* Materiali di costruzione

AD10	=	Bronzo AD10
D	=	Guarnital o fibra
E3	=	Centellen VS 3820
G	=	Ghisa
GR	=	Grafite
GS	=	Ghisa sferoidale
GSH	=	Ghisa sferoidale sulfinitata
H	=	Acciaio inox AISI 304
K	=	Acciaio inox AISI 316
K9	=	Acciaio inox AISI 329
R	=	Rame
S	=	Acciaio
SH	=	Acciaio trattato
T	=	Acciaio cementato
TE	=	Teflon

Ordinare il materiale indicando sempre la quantità, la denominazione, il codice del pezzo, il tipo ed il numero della pompa.

Notes:

- 1) Complete with plugs (58, 64) and gaskets (58.1, 65).
- 2) Complete with bushes (37).
- 3) Complete with studs (46).
- 4) Complete with sleeves (16.1, 16.2) and keys (41, 42).
- 5) Complete with studs (43) and gasket (31.1).
- 6) Complete with bush (36).

- ① +R2 Heating jacket on cover.
 ② +Y With by-pass.
 ③ +O2 With 140 ml glass oil lubricator.

* Construction materials

AD10	=	AD10 Bronze
D	=	Guarnital or fiber
E3	=	Centellen VS 3820
G	=	Cast iron
GR	=	Graphite
GS	=	Ductile cast iron
GSH	=	Sulfured graphite cast iron
H	=	AISI 304 stainless steel
K	=	AISI 316 stainless steel
K9	=	AISI 329 stainless steel
R	=	Copper
S	=	Steel
SH	=	Hardened steel
T	=	Case hardened steel
TE	=	Teflon

When ordering spares always indicate type and serial number of pump, quantity, part name, and number.

VARISCO S.p.A.

Terza Strada, 9 - Z.I. Nord - 35129 Padova - Italy
 Tel. 049 82 94 111 +39 049 82 94 111
 Fax 049 82 94 373 International +39 049 80 76 762

