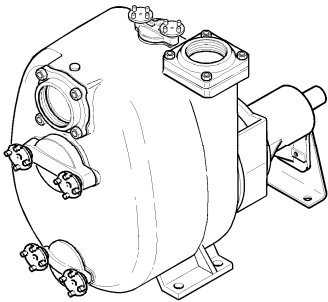
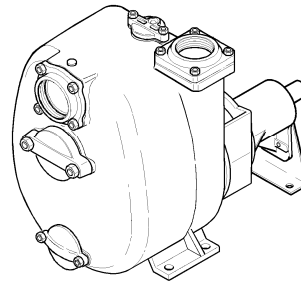


## DISTINTA DELLE PARTI COSTITUENTI LE POMPE CENTRIFUGHE AUTOADESCANTI SERIE " J "

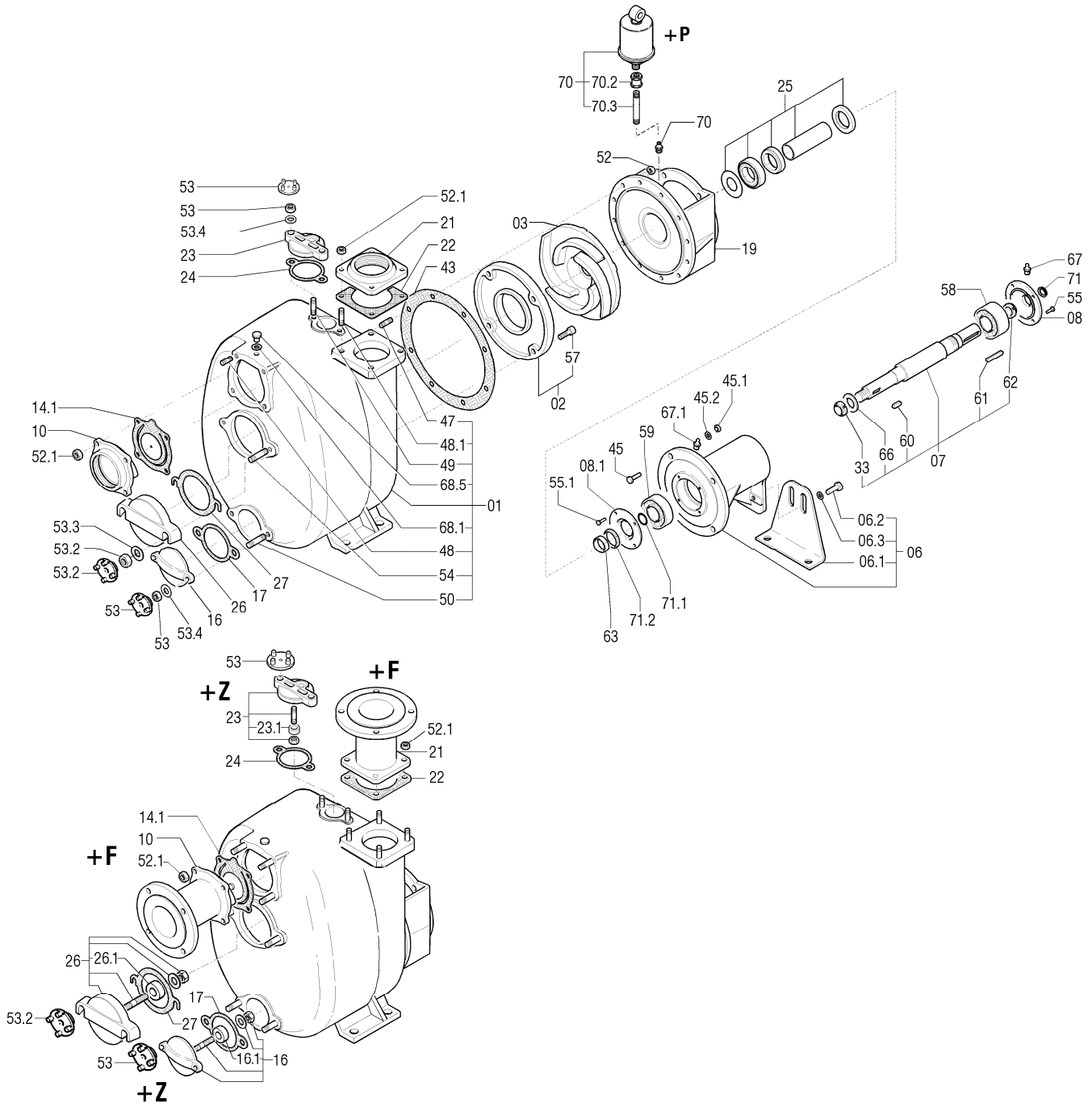
### SPARE PARTS LIST FOR "J" SERIES SELF-PRIMING PUMPS



JS 4-316 G10 Code 1000 9757  
 JS 4-316 G20 Code 1000 9760  
 JS 4-316 Q10 Code 1000 9759  
 JS 4-316 B10 Code 1000 9773  
 JS 4-316 P10 Code 10014943  
 JS 4-316 T10 Code 10043494



JS 4-316 F10 Code 1000 9761



Rif. N°. Pos. Nr. Ref. no. Réf. N°.	Quant.	Denominazione	Part name	Den. Comm. Type	Mat.*	Codice Nuovo New Part No.	JS 4-316 G10	JS 4-316 G20	JS 4-316 F10	JS 4-316 Q10	JS 4-316 B10	JS 4-316 P10	JS 4-316 T10	
01	1	Corpo (1)	Casing (1)		GS	1002 0713	○	○						
					B	1002 0714					○			
					G	1005 4294			○	○				
					G+QPQ	1005 4295								○
02	1	Piatto d'usura (2)	Wear plate (2)		G	1000 8435		○					○	
					GN	1000 8459	○							
					B	1000 8407				○	○			
					K	1003 6540			○					
G+QPQ	1005 4296									○				
03	1	Girante	Impeller		GS	1000 5373	○	○						
					B	1000 5249				○	○			
					G+QPQ	1003 1864								○
					K	1000 5421				○				
06	1	Supporto (3)	Bearing housing (3)		G	1000 9078	○	○	○	○	○	○	○	
06.1	1	Piede	Base		S	1000 6145	○	○	○	○	○	○	○	
06.2	2	Vite	Screw	M 16 x 35 DIN 933	S	1000 1972	○	○	○	○	○	○	○	
06.3	2	Rondella	Washer	M 16 DIN 125 A	S	1000 1693	○	○	○	○	○	○	○	
07	1	Albero (4)	Shaft (4)		S3	1000 7569	○	○					○	
					K9	1000 7609				○	○			○
08	1	Copricuscinetto	Bearing cover		G	1000 4780	○	○	○	○	○	○	○	
08.1	1	Copricuscinetto	Bearing cover		G	1000 4781	○	○	○	○	○	○	○	
10	1	Portavalvola	Suction flange	R4"	G	1000 6426	○	○					○	
					B	1000 6401					○	○		
							+F	+F	+F	+F	+F	+F	+F	
14.1	1	Valvola completa	Check valve ass.		NH	1000 9032	○						○	
					VK	1000 9024			○	○			○	
					TK	1000 9033			○					
16	1	Portina	Cover		G	1000 6474	○	○	○				○	
					GZ	1000 8503	+Z	+Z			○			+Z
					OTS	1000 3749					○			
16.1	1	Placca zinco	Zinc anode		Z		+Z	+Z		○		+Z		
17 (**)	1	Guarnizione	Gasket	72 x 95 x 3										
19	1	Portamotore	Head		G	1000 6345	○		○	○			○	
					G	1000 6349		○						
					B	1000 6288						○		
					G+QPQ	1003 1866								○
21	1	Flangia mandata	Discharge flange	R4"	G	1000 5094	○	○	○				○	
					OTS	1000 5072					○	○		○
							+F	+F	+F	+F	+F	+F	+F	+F
22 (**)	1	Guarnizione	Gasket											
23	1	Portina	Cover		S	1000 6473	○	○	○				○	
					SZ	1000 8502	+Z	+Z			○			+Z
					B	1000 3748						○		
23.1	1	Placca zinco	Zinc anode		Z		+Z	+Z		○		+Z		
24 (**)	1	Guarnizione	Gasket											
25	1	Tenuta completa	Mechanical seal ass.	T50 YV T50 WW N50 YYT		1002 6486	○					○	○	
						1000 8897			○	○			○	
						1000 9003			○					
26	1	Portina	Cover		G	1000 6475	○	○	○				○	
					GZ	1000 8504	+Z	+Z			○			+Z
					B	1000 6468						○		
26.1	1	Placca zinco	Zinc anode		Z	1000 3810	+Z	+Z		○		+Z		
27 (**)	1	Guarnizione	Gasket											
33	1	Dado blocca girant	Impeller nut	M 30 x 2 UNI 7474	H	1000 1466	○	○					○	
					K	1000 1473				○	○		○	
43 (**)	2	Guarnizione corpo	Casing gasket	316 x 384 x 0,5										
45	4	Vite	Screw	M 16 x 55 DIN 933	S	1000 1992	○	○					○	
					K	1000 2071				○	○		○	
45.1	4	Dado	Nut	M 16 DIN 934	S	1000 1425	○	○					○	
					K	1000 1442				○	○		○	
45.2	4	Rondella	Washer	M 16 UNI 1751/52 A	S	1000 1683	○	○					○	
					K	1000 1686				○	○		○	
47 (*)	12	Prigioniero	Stud	M 12 x 30 DIN 938	S		○	○					○	
					K					○	○		○	

VARISCO S.p.A.

35129 Padova – Z.I. Nord Terza Strada, 9

Tel. 049 82 94 111

Fax 049 82 94 373

+39 049 82 94 111

International +39 049 80 76 762



**varisco**  
solid pumping solutions

Rif. N°. Pos. Nr. Ref. no. Réf. N°.	Quant.	Denominazione	Part name	Den. Comm. Type	Mat.*	Codice Nuovo New Part No.	JS 4-316 G10	JS 4-316 G20	JS 4-316 F10	JS 4-316 Q10	JS 4-316 B10	JS 4-316 P10	JS 4-316 T10
48 (*)	4	Prigioniero	Stud	M 12 x 30 DIN 938	S K		○	○	○	○	○	○	○
48.1 (*)	4	Prigioniero	Stud	M 12 x 30 DIN 938	S K		○	○	○	○	○	○	○
49 (*)	2	Prigioniero	Stud	M 10 x 35 DIN 938	S K		○	○	○	○	○	○	○
50 (*)	2	Prigioniero	Stud	M 10 x 35 DIN 938	S K		○	○	○	○	○	○	○
52 (*)	12	Dado	Nut	M 12 DIN 934	S H K		○	○		○		○	○
52.1 (*)	8	Dado	Nut	M 12 DIN 934	S H K		○	○		○		○	○
53 (*)	4	Maniglietta	Wrench	M 10	OTS		○	○		○	○	○	○
		Dado	Nut	M 10 DIN 934	K				○				
53.2 (*)	2	Maniglietta	Wrench	M 12	OTS		○	○		○	○	○	○
		Dado	Nut	M 12 DIN 934	K				○				
53.3 (*)	2	Rondella	Washer	M 12 DIN 125 A	K				○				
53.4 (*)	4	Rondella	Washer	M 10 DIN 125 A	K				○				
54 (*)	2	Prigioniero	Stud	M 12 x 35 DIN 938	S K		○	○				○	○
55	4	Vite	Screw	M 8 x 20 DIN 933	S	1000 1937	○	○	○	○	○	○	○
55.1	4	Vite	Screw	M 8 x 20 DIN 933	S	1000 1937	○	○	○	○	○	○	○
57 (*)	4	Vite	Screw	M 10 x 20 DIN 912	H K		○	○					
58	1	Cuscinetto	Ball bearing	3310 HT		1000 1388	○	○	○	○	○	○	○
59	1	Cuscinetto	Ball bearing	NU 310 E		1000 1339	○	○	○	○	○	○	○
60	1	Linguetta	Key	12 x 8 x 45 DIN 6884	K	1000 1637	○	○	○	○	○	○	○
61	1	Linguetta	Key	12 x 8 x 90 DIN 6884	S	1000 1600	○	○	○	○	○	○	○
62	1	Ghiera	Lock ring	M 50	S	1000 1575	○	○	○	○	○	○	○
63	1	Ghiera	Sleeve	42 X 60 X 19	S	1000 4184	○	○	○	○	○	○	○
66	1	Rondella	Washer	M 30 DIN 125A	H K	1000 1716 1000 1715	○	○				○	○
67	1	Ingrassatore	Grease nipple	M 6		1000 1664	○	○	○	○	○	○	○
67.1	1	Ingrassatore	Grease nipple	1/4"		1000 1662	○	○	○	○	○	○	○
68.1 (**)	1	Guarnizione	Gasket	1/4" DIN 908									
68.5 (*)	1	Tappo	Plug	1/4"	S K		○	○				○	○
70 (*)	1	Ingrassatore	Grease nipple	1/4"			○	○	○	○	○	○	○
		Cartuccia Perma	Perma cartridge			1000 8316	+P	+P	+P	+P	+P	+P	+P
70.2	1	Manicotto	Union	1/4"	G	1000 2352	+P	+P	+P	+P	+P	+P	+P
70.3	1	Prolunga	Grease tube	1/4" x 75	S	1000 6955	+P	+P	+P	+P	+P	+P	+P
71	1	V-ring	V-ring	V 45 S	N	1000 1296	○	○	○	○	○	○	○
71.1	1	O-Ring	O-Ring	OR 147	N	1000 1207	○	○	○	○	○	○	○
71.2	1	V-ring	V-ring	V 60 S	N	1000 1297	○	○	○	○	○	○	○
(*)		Serie viterie	Set of screws			1001 4422 1001 4426 1001 4428 1001 4431 1001 4434	○	○				○	○
(**)		Serie guarnizioni	Set of gaskets			1001 4423 1001 4427 1001 4424 1001 4435 1001 4429 1002 6489	○	○				○	○
+F***		Kit flange	Kit flange	DN 100 PN16 DN 100 PN16 4" ASA150 4" ASA150	G B G B	1004 2352 1004 2787 1004 2820 1004 2824	○	○	○		○	○	○
+P***		Kit ingrassatore	Compl. Grease kit			1000 8316	○	○	○	○	○	○	○
+Z***		Kit portine	Set of couver		GZ	1001 4027	○	○					○
***		Optional											

VARISCO S.p.A.

35129 Padova - Z.I. Nord Terza Strada, 9

Tel. 049 82 94 111

+39 049 82 94 111

Fax 049 82 94 373

International +39 049 80 76 762



**varisco**  
solid pumping solutions

<b>Note:</b>		<b>Notes:</b>	
1) Completo di prigionieri (47, 48, 48.1, 49, 50, 54).		1) Complete with studs (47, 48, 48.1, 49, 50, 54).	
2) Completo di viti (57).		2) Complete with screws (57).	
3) Completo di supporto (06), piede (06.1), vite (06.2) e rondella (06.3).		3) Complete with bearing housing (06), foot (06.1), screw (06.2) and	
4) Completo di linguette (60, 61), dado (33), rondella (66) e ghiera (62).		4) Complete with keys (60, 61), nut (33), washer (66) and lock ring	
* Materiali di costruzione		* Construction materials	
B = Bronzo		B = Bronze	
G = Ghisa		G = Cast iron	
G+QPQ = Ghisa + trattamento QPQ		G+QPQ = Cast iron+ Quench Polish Quench	
GS = Ghisa sferoidale		GS = Ductile cast iron	
H = Acciaio INOX AISI 304		H = AISI 304 Stainless steel	
K = Acciaio INOX AISI 316		K = AISI 316 Stainless steel	
K9 = Acciaio INOX AISI 329		K9 = AISI 329 Stainless steel	
N = Gomma nitrile		N = Nitrile rubber	
OTS = Ottone		OTS = Brass	
S = Acciaio		S = Steel	
S3 = Acciaio 38NiCrMo4		S3 = Steel 38NiCrMo4	
T = Teflon		T = Teflon	
V = Viton		V = Viton	
Z = Zinco		Z = Zinc	
Ordinare il materiale indicando sempre la quantità, la denominazione, il codice del pezzo, il tipo ed il numero della pompa.		When ordering spares always indicate type and serial number of pump, quantity, part name, and number.	

VARISCO S.p.A.

35129 Padova – Z.I. Nord Terza Strada, 9

Tel. 049 82 94 111

+39 049 82 94 111

Fax 049 82 94 373

International +39 049 80 76 762

