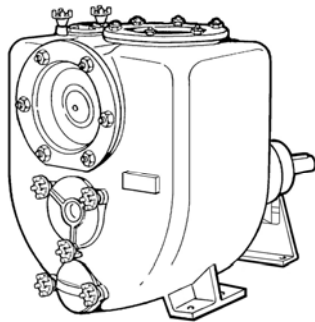
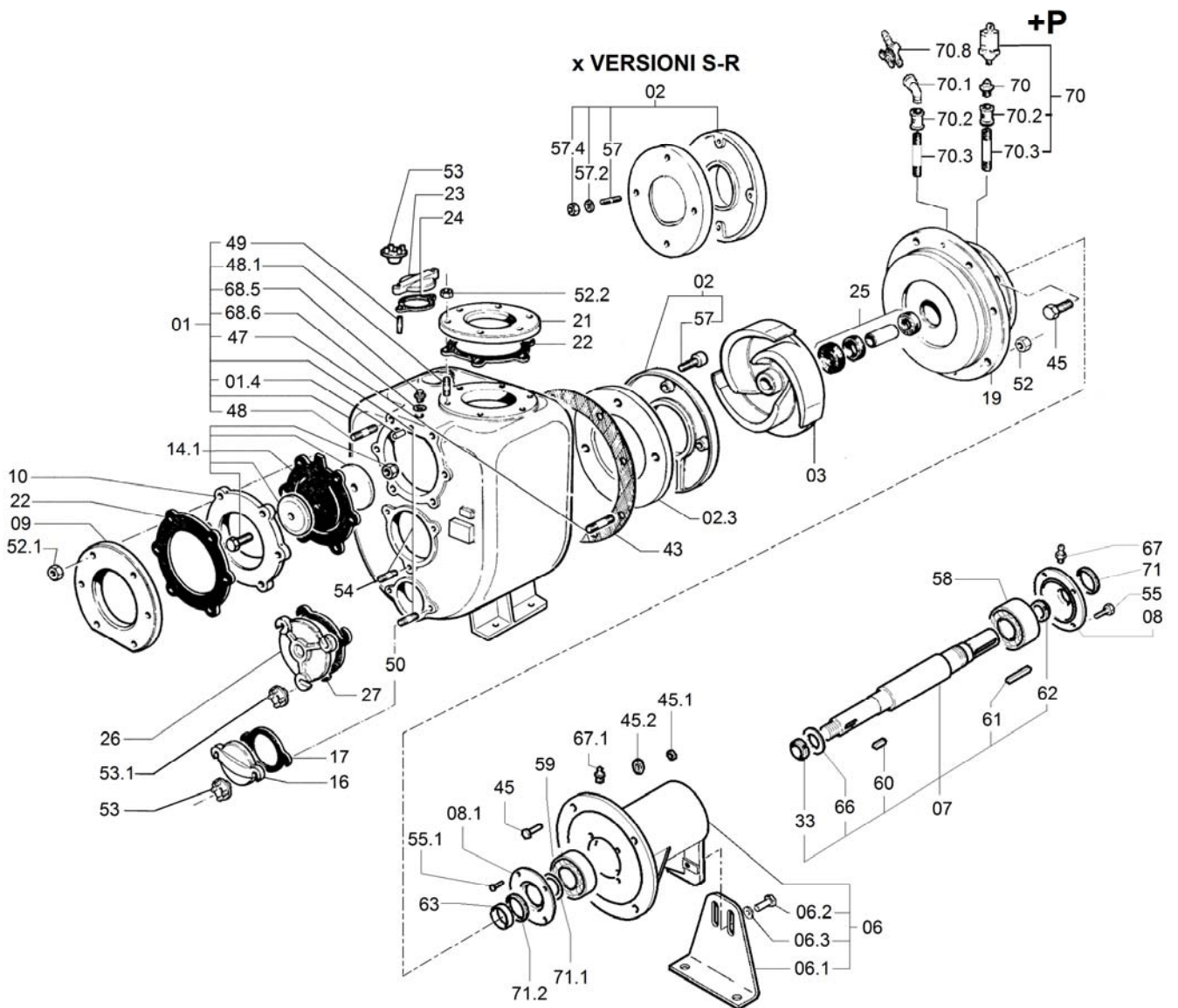


DISTINTA DELLE PARTI COSTITUENTI LE POMPE CENTRIFUGHE AUTOADESCANTI SERIE " J "

SPARE PARTS LIST FOR " J " SERIES SELF-PRIMING PUMPS



JS 6-353 S11	COD.1004 8685
JS 6-353 R11	COD.1004 9946
JS 6-353 D11	COD.1005 3619



Rif. N°. Pos. Nr.	Quant.	Denominazione	Part name	Den. Comm.	Type	Mat. *	Codice Nuovo New Part. no.	JS 6-353 S11	JS 6-353 R11	JS 6-353 D11
01	1	Corpo (1)	Casing (1)			G	1005 3030	○		
						G+QPQ	1005 3618		○	
						G+N2	1005 3620			○
01.4 (**)	1	Spina	Spring pin	UNI 6873 5x10		S		○	○	○
02	1	Piatto d'usura (2)	Wear plate (2)			G	1003 7536	○	○	○
						G+N1	1005 3642			○
02.3		Piatto d'usura	Wear plate			S	10048682	○	○	○
03	1	Girante	Impeller			S	1004 8681	○		
						S+QPQ	1004 9947		○	
						GS+N4	1005 1704			○
06	1	Supporto completo (3)	Bearing housing compl. (3)			G	1000 9059	○	○	○
06.1	1	Piede supporto	Bearing housing foot			S		○	○	○
06.2	2	Vite	Screw	M14 x 25 DIN 933		S	1478 4118	○	○	○
06.3	2	Rondella	Washer	M14 UNI1751/52 A		S	1448 4006	○	○	○
07	1	Albero (4)	Shaft (4)			S3	1002 0958	○	○	○
08	1	Copricuscinetto	Bearing cover			G	1000 4778	○	○	○
08.1	1	Copricuscinetto	Bearing cover			G	1000 4781	○	○	○
09	1	Flangia aspirazione	Suction flange	DN 150 D.I. 1882		S	1000 1499	○	○	○
10	1	Portavalvola	Suction flange			G	1000 6431	○	○	○
14.1	1	Valvola completa	Check valve assembly			NG	1000 9026	○	○	○
16	1	Portina	Cover			G	1000 6475	○		○
						G+QPQ	1002 4691		○	
17 (*)	1	Guarnizione	Gasket							
19	1	Portamotore	Head			G	1002 0932	○		
						G+QPQ	1004 9945		○	
						G+N1	1005 1699			○
21	1	Flangia di mandata	Discharge flange	DN 150 D.I. 1882		S	1000 1481	○	○	○
22 (*)	2	Guarnizione	Gasket							
23	1	Portina	Cover			G	1000 6474	○		○
						G+QPQ	1002 4690		○	
24 (*)	1	Guarnizione	Gasket							
25	1	Tenuta meccanica	Mechanical seal	T50 YYN			1002 0626	○	○	○
26	1	Portina	Cover			G	1000 6477	○		○
						G+QPQ	1004 9943		○	
27 (*)	1	Guarnizione	Gasket							
33	1	Dado bloccagirante	Impeller nut	M30 X 2 UNI7474		H	1000 1466	○	○	○
43 (*)	1	Guarnizione corpo	Casing gasket							
45	4	Vite	Screw	M 16 x 55 DIN 931		S	1000 1992	○	○	○
45.1	4	Dado	Nut	M 16 DIN 934		S	1000 1425	○	○	○
45.2	4	Rondella	Washer	M 16 UNI 1751/52 A		S	1000 1683	○	○	○
47 (**)	8	Prigioniero	Stud	M 16 x 35 DIN 938		S		○	○	○
48 (**)	6	Prigioniero	Stud	M 16 x 50 DIN 938		S		○	○	○
48.1 (**)	6	Prigioniero	Stud	M 16 x 35 DIN 938		S		○	○	○
49 (**)	2	Prigioniero	Stud	M 10 x 30 DIN 938		S		○	○	○
50 (**)	2	Prigioniero	Stud	M 12 x 35 DIN 938		S		○	○	○
52 (**)	8	Dado	Nut	M 16 DIN 934		S		○	○	○
52.1 (**)	6	Dado	Nut	M 16 DIN 934		S		○	○	○
52.2 (**)	6	Dado	Nut	M 16 DIN 934		S		○	○	○
53 (**)	4	Maniglietta	Wrench	M 10		OTS		○	○	○
53.1 (**)	3	Maniglietta	Wrench	M 12		OTS		○	○	○
54 (**)	3	Prigioniero	Stud	M 12 x 35 DIN 938		S		○	○	○
55	4	Vite	Screw	M 6 x 20 DIN 933		S	1000 1933	○	○	○
55.1	2	Vite	Screw	M 8 x 20 DIN 933		S	1000 1937	○	○	○
57 (**)	4	Vite	Screw	M 12 x 40 DIN 912		G321				○
						K			○	○
57.2	4	Prigioniero	Stud	M 12 x 35 DIN 938		K		○	○	
57.4	4	Rondella	Washer	M 12 DIN 125A		K		○	○	
58	4	Dado	Nut	M 12 UNI7474		K		○	○	
58	1	Cuscinetto	Ball bearing	3309			1000 1349	○	○	○
59	1	Cuscinetto	Ball bearing	NU 310E			1000 1339	○	○	○
60	1	Linguetta	Key	12 x 8 x 40 DIN 6585 A		K	1000 1636	○	○	○
61	1	Linguetta	Key	12 x 8 x 90 DIN 6585 A		S	1000 1600	○	○	○
62	1	Ghiera	Lock ring	M 45		S	1000 1574	○	○	○
63	1	Ghiera	Lock ring			S	1002 0921	○	○	○
66	1	Rondella	Washer	M 30 DIN 125A		H	1000 1716	○	○	○

VARISCO S.p.A.

35129 Padova - Z.I. Nord Terza Strada, 9

Tel. 049 82 94 111

+39 049 82 94 111

Fax 049 82 94 373

International +39 049 80 76 762



Rif. N°. Pos. Nr.	Quant.	Denominazione	Part name	Den. Comm.	Type	Mat. *	Codice Nuovo New Part. no.	JS 6-353 S11	JS 6-353 R11	JS 6-353 D11
67	1	Ingrassatore	Grease nipple	1/4"			1000 1664	○	○	○
67.1	1	Ingrassatore	Grease nipple	M 6			1000 1662	○	○	○
68.5	1	Tappo	Plug	R 1/4"		S	1000 2379	○	○	○
68.6	1	Guarnizione	Gasket	1/4"			1000 5657			
70 (**)	1	Ingrassatore	Grease nipple	1/4"				○	○	○
		Cartuccia Perma	Perma cartridge				1000 8316	+P	+P	+P
70.1	1	Curva	Elbow	1/4"			1000 2302	○	○	○
70.2	1	Manicotto	Union	1/4"			1000 2352	+P	+P	+P
							1000 2352	○	○	○
70.3	1	Prolunga	Grease tube	1/4" x 130			1000 6956	+P	+P	+P
				1/4" x 75			1000 6955	○	○	○
71	1	V-ring	V-ring	V 40S			1000 1295	○	○	○
71.1	1	O-ring	O-ring	OR 147			1000 1207	○	○	○
71.2	1	V-ring	V-ring	V 60S			1000 1297	○	○	○
(*)		Serie guarnizioni	Set of gaskets				1001 4249	○	○	○
(**)		Serie viterie	Set of screws				1005 1707			○
							1004 8683	○	○	

Note:	Notes:
1) Completo di prigionieri (47, 48, 48.1, 49, 50) e tappo (68.5).	1) Complete with studs (47, 48, 48.1, 49, 50) and plug (68.5)
2) Completo di viti (57).	2) Complete with screws (57).
3) Completo di supporto (06), piede (06.1), vite (06.2) e rondella (06.3)	3) Complete with bearing housing (06), foot (06.1), screw (06.2) and washer (06.3).
4) Completo di linguette (60, 61), dado (33) e rondella (66).	4) Complete with keys (60, 61), nut (33), and washer (66).
* Materiali di costruzione	* Construction materials
G = Ghisa	G = Cast iron
G+N1 = Ghisa + Trattamento	G+N1 = Treated Cast iron
G+N2 = Ghisa + Trattamento	G+N2 = Treated Cast iron
G+QPQ = Ghisa + trattamento QPQ	G+QPQ = Cast iron+ Quench Polish Quench
GS = Ghisa sferoidale	GS = Ductile cast iron
GS+N4 = Ghisa sferoidale + Trattamento	GS+N4 = Ductile cast iron+ Treated
H = Acciaio inox AISI 304	H = AISI 304 Stainless steel
K = Acciaio inox AISI 316	K = AISI 316 Stainless steel
OTS = Ottone	OTS = Brass
S = Acciaio	S = Steel
S3 = Acciaio 38NiCrMo4	S3 = 38NiCrMo4 Steel
S3+QPQ = Acciaio 38NiCrMo4 + trattamento QPQ	S3+QPQ = 38NiCrMo4 Steel+ Quench Polish Quench
Ordinare il materiale indicando sempre la quantità, la denominazione, il codice del pezzo, il tipo e il numero della pompa.	When ordering spares always indicate: quantity, part name and part number, type and serial number of pump.

VARISCO S.p.A.

35129 Padova – Z.I. Nord Terza Strada, 9

Tel. 049 82 94 111

Fax 049 82 94 373

+39 049 82 94 111

International +39 049 80 76 762



VARISCO S.p.A.

35129 Padova – Z.I. Nord Terza Strada, 9

Tel. 049 82 94 111

Fax 049 82 94 373

+39 049 82 94 111
International +39 049 80 76 762



varisco[®]
solid pumping solutions