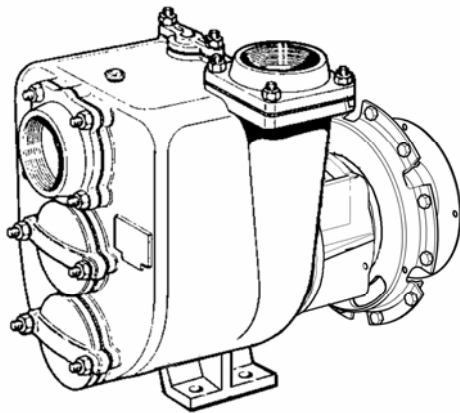
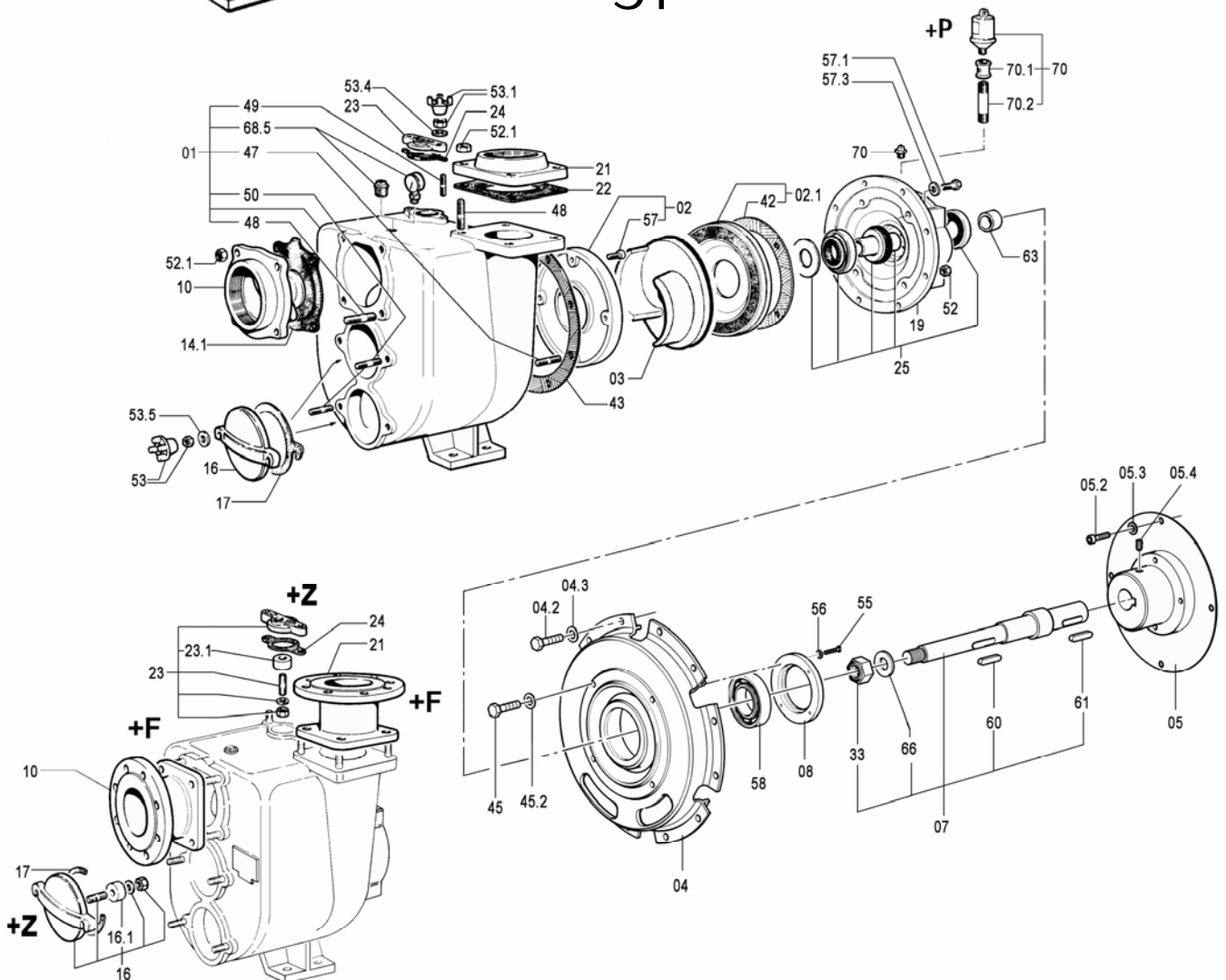


DISTINTA DELLE PARTI COSTITUENTI LE POMPE CENTRIFUGHE AUTOADESCANTI SERIE " J "
SPARE PARTS LIST FOR " J "SERIES SELF-PRIMING PUMPS
LISTE DES PIECES DE RECHANGE POUR POMPES CENTRIFUGES AUTO-AMORCANTES SERIE " J "
ERSATZTEILLISTE FÜR SELBSTANSAUGENDE KREISELPUMPEN SERIE " J "



JP 4-250 G10 DSO	Code 1004 0962
JP 4-250 Q10 DSO	Code 1004 4834
JP 4-250 B10 DSO	Code 1004 6089
JP 4-250 P30 DSO	Code 1004 5678

JP



+ = OPTIONAL

Rif. N°. Pos. Nr.	Quant.	Denominazione	Part name	Den. Comm. Type	Mat. *	Codice Nuovo New Part. No.	JP 4-250 G10	JP 4-250 Q10	JP 4-250 B10	JP 4-250 P30
01	1	Corpo (1)	Casing (1)		G	1002 3922	○			○
					G	1002 7005		○	○	
02	1	Piatto d'usura (2)	Wear plate (2)		G	1000 8418				○
					GN	1000 8442	○			
					B	1000 8393		○	○	
02.1	1	Piatto d'usura (3)	Wear plate (3)		G	1002 3926				○
					GN	1002 3925	○			
					B	1002 3927		○	○	
03	1	Girante	Impeller		GS	1000 5365	○			○
					B	1000 5243		○	○	
04	1	Campana	Coupling flange		G	1004 0967	○	○	○	○
04.2	12	Vite	Screw	M 10 x 30 DIN 933	S	1000 1949	○	○		○
					K	1000 2044			○	
04.3	12	Rondella	Washer	M 10 UNI 1751/52A	S	1000 1680	○			○
					K	1000 1685		○	○	
05	1	Giunto	Coupling		S	1004 0968	○	○	○	○
05.2	8	Vite	Screw	M 10x25 DIN912	S	1000 1885	○	○	○	○
05.3	8	Rondella	Washer	M10 UNI1751	S	1000 1680	○	○	○	○
05.4	3	Vite	Screw	M10x12 DIN914	S	1003 8558	○	○	○	○
07	1	Albero (4)	Shaft (4)		S	1004 0964	○			○
					K5	1004 4832		○	○	
08	1	Copricuscinetto	Bearing cover		G	1004 0857	○	○	○	○
10	1	Portavalvola	Suction flange	R 4"	G	1000 6426	○			○
					OTS	1000 6401			○	○
							+ F	+ F	+ F	+ F
14.1	1	Valvola completa	Check valve ass.		NH	1000 9032	○		○	
					VK	1000 9024		○		○
16	2	Portina	Cover		G	1000 6475	○			○
					GZ	1000 8504	+Z	○		+Z
					B	1000 6468			○	
17 (**)	2	Guarnizione	Gasket							
19	1	Portamotore	Head		G	1002 1216	○	○		○
					B	1002 1276			○	
21	1	Flangia mandata	Discharge flange	R 4"	G	1000 5094	○			○
					B	1000 5075			○	○
22 (**)	1	Guarnizione	Gasket							
23	1	Portina	Cover		S	1000 6473	○			○
					GZ	1000 8502	+Z	○		+Z
					OTS	1000 3748			○	
24 (**)	1	Guarnizione	Gasket							
25	1	Anello di tenuta compl.	Mechanical seal ass.	T 45 YYN ND		1002 1228	○		○	
						1002 1309			○	
33	1	Dado blocca girante	Impeller nut	M 30 x 2-5H UNI7474	H	1000 1466	○			○
					K	1000 1473			○	○
42 (**)	1	Guarnizione piatto	Wear plate gasket							
43 (**)	1	Guarnizione corpo	Casing gasket							
45	4	Vite	Screw	M 12 x 30 DIN 933	S	1000 1960	○			○
					K	1000 2052			○	○
45.2	4	Rondella	Washer	M 12 UNI 1751/52 A	S	1000 1681	○			○
					K	1000 1685			○	○
47 (*)	8	Prigioniero	Stud	M 12 x 35 DIN 938	S		○			○
					K				○	○
48 (*)	8	Prigioniero	Stud	M 12 x 30 DIN 938	S		○			○
					K				○	○
49 (*)	2	Prigioniero	Stud	M 10 x 30 DIN 938	S		○			○
					K				○	○
50 (*)	4	Prigioniero	Stud	M 12 x 30 DIN 938	S		○			○
					K				○	○

Rif. N°. Pos. Nr.	Quant.	Denominazione	Part name	Den. Comm. Type	Mat.*	Codice Nuovo New Part. No.	JP 4-250 G10	JP 4-250 Q10	JP 4-250 B10	JP 4-250 P30
52 (*)	8	Dado	Nut	M 12 DIN 934	S		○			○
					K			○	○	
52.1 (*)	8	Dado	Nut	M 12 DIN 934	S		○			○
					K			○	○	
53 (*)	4	Maniglietta	Wrench	M 12	OTS		○	○	○	○
53.1 (*)	2	Maniglietta	Wrench	M 10	OTS		○	○	○	○
53.4 (*)	2	Rondella	Washer	M 10 DIN 125 A	S					
53.5 (*)	4	Rondella	Washer	M 12 DIN 125 A	S					
55	4	Vite	Screw	M 6 x 25 DIN 933	S	1002 8349	○			○
					K	1000 2069		○	○	
56	4	Rondella	Washer	M 6 DIN 125A	S	1000 1688				
					K	1000 1717				
57 (*)	4	Vite	Screw	M 10 x 20 DIN 912	H		○			○
					K			○	○	
57.1 (*)	4	Vite	Screw	M 12 x 25 DIN 933	S		○			○
					K			○	○	
57.3 (*)	4	Rondella	Washer	M 12 DIN 125A	S		○			○
					H			○	○	
58	1	Cuscinetto	Ball bearing	3308 2RS		1004 0861	○	○	○	○
60	1	Linguetta	Key	10x8x40 DIN 6885 A	K	1000 1626	○	○	○	○
61	1	Linguetta	Key	12x8x56 DIN 6885 A	S	1000 1599	○	○	○	○
63	1	Ghiera	Sleeve	35 x 50 x 10	S	1002 1222	○	○	○	○
66	1	Rondella	Washer	M 30 DIN 125A	H	1000 1716	○			○
					K	1000 1715		○	○	
68.5 (*)	1	Tappo	Plug	1/4"	S		○	○	○	○
70 (*)	1	Ingrassatore	Grease nipple	1/4"		1000 1662	○	○	○	○
		Cartuccia Perma (7)	Perma cartridge (7)				+P	+P	+P	+P
70.1	1	Manicotto	Union		G	1000 2352	+P	+P	+P	+P
70.2	1	Prolunga	Grease tube		S	1000 6955	+P	+P	+P	+P
(*)		Serie viterie	Set of screws			1002 1368	○			○
						1002 1375		○	○	
(**)		Serie guarnizioni	Set of gaskets		N	1001 4009	○			
					N	1001 4013			○	
					V	1002 5773		○		
					V	1001 4011				○
+ F***		Kit flange	Kit flange	DN 100 PN16	G	1004 2352	○			○
				DN 100 PN16	B	1004 2787		○	○	
				4" ASA150	G	1004 2820	○			○
				4" ASA150	B	1004 2824		○	○	
+ P***		Kit ingrassatore	Compl.grease kit			1000 8316	○	○	○	○
+ Z***		Kit portine	Set of couver			1001 4027	○			○
***		Optional								

VARISCO S.p.A.

35129 Padova – Z.I. Nord Terza Strada, 9

Tel. 049 82 94 111

+39 049 82 94 111

Fax 049 82 94 373

International +39 049 80 76 762



Note:		Notes:	
1) Completo di prigionieri (47, 48, 49, 50, 54) e tappo (68.5).		1) Complete with studs (47, 48, 49, 50, 54) and plugs (68.5).	
2) Completo di viti (57).		2) Complete with screws (57).	
3) Completo di guarnizione (42).		3) Complete with gasket (42).	
4) Completo di dado (33), rondella (66), linguette (60,61) e ghiera		4) Complete with nut (33), washer (66), keys (60,61) and lock ring	
5) Completo valvola, contrappesi, vite e dado.		6) Complete with check valve, weights, screw and nut.	
* Materiali di costruzione		* Construction material	
B	= Bronzo	B	= Bronze
D	= Guarnital	D	= Guarnital
E3	= Centellen VS 3820	E3	= Centellen VS 3820
G	= Ghisa	G	= Cast iron
GS	= Ghisa sferoidale	GS	= Ductile cast iron
H	= Acciaio INOX AISI 304	H	= AISI 304 Stainless steel
K	= Acciaio INOX AISI 316	K	= AISI 316 Stainless steel
K5	= Acciaio INOX SAF2205	K5	= SAF2205 Stainless steel
N	= Gomma nitrile	N	= Nitrile rubber
OTS	= Ottone	OTS	= Brass
S	= Acciaio	S	= Steel
V	= Viton	V	= Viton
Z	= Zinco	Z	= Zinc
Ordinare il materiale indicando sempre la quantità, la denominazione, il codice del pezzo, il tipo ed il numero della		When ordering spares always indicate type and serial number of pump, quantity, part name, and number.	