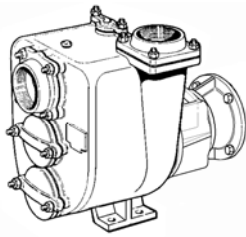
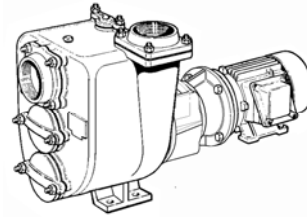


DISTINTA DELLE PARTI COSTITUENTI LE POMPE CENTRIFUGHE AUTOADESCANTI SERIE " J "

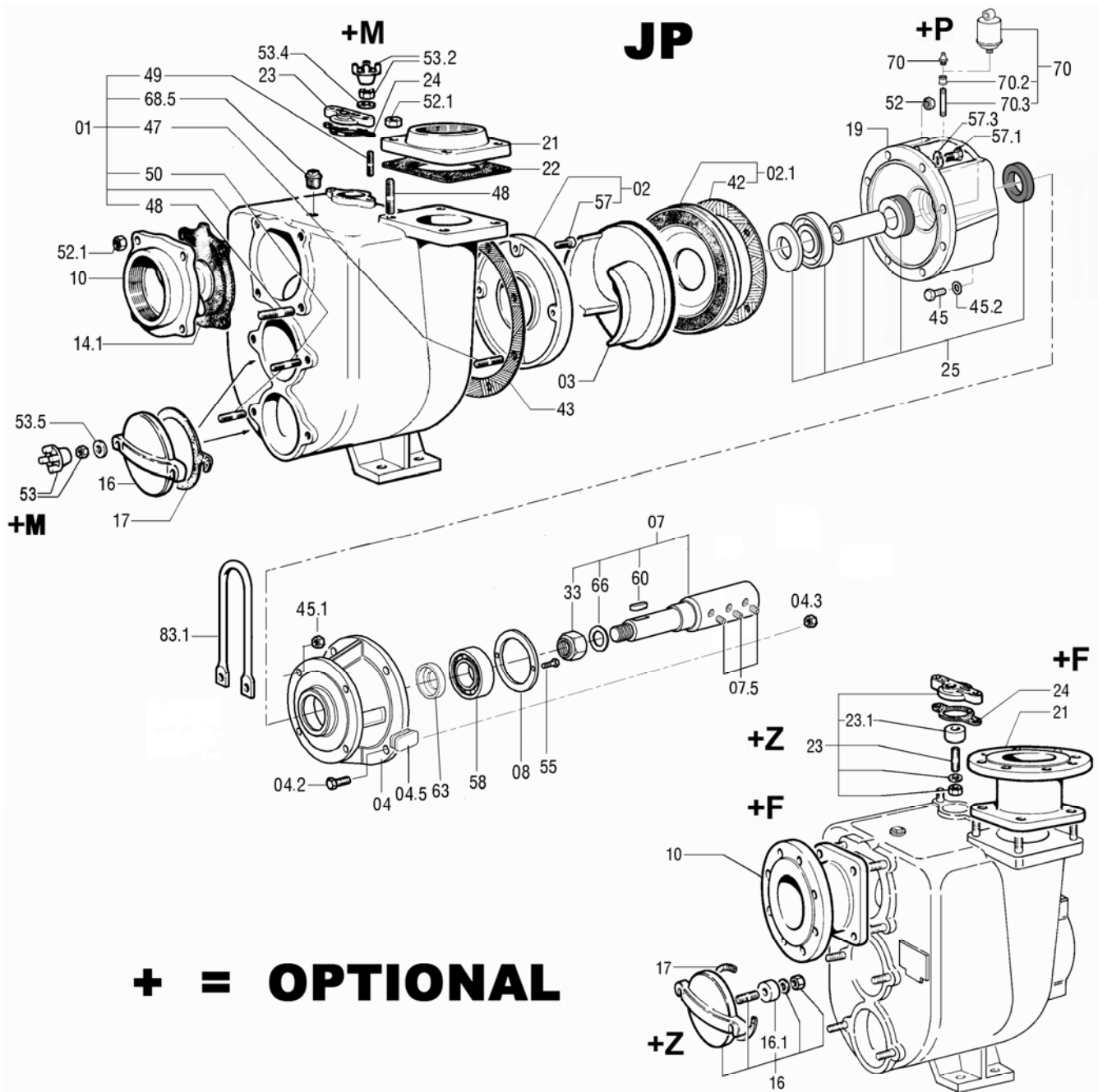
SPARE PARTS LIST FOR " J " SERIES SELF-PRIMING PUMPS

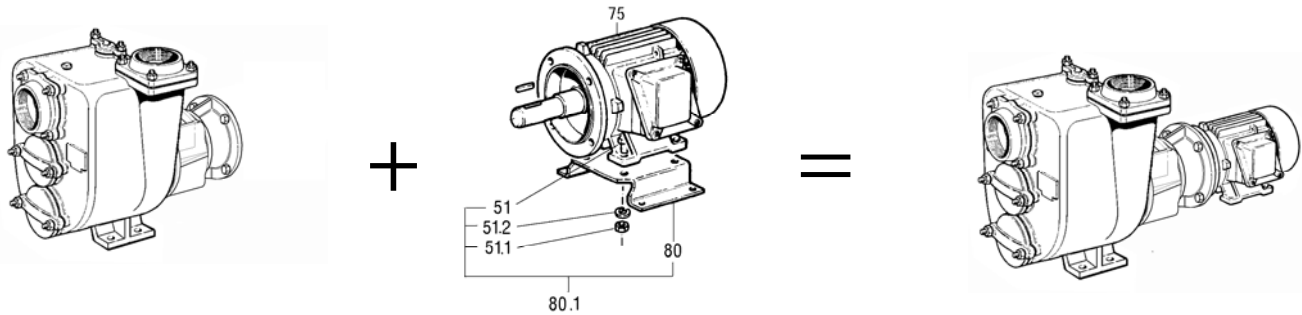


JP 4-250 G10 ETO	Code 1004 0870
JP 4-250 B10 ETO	Code 1004 3818
JP 4-250 K10 ETO	Code 1004 3821
JP 4-250 Q10 ETO	Code 1004 3823
JP 4-250 F10 ETO	Code 1004 3812
JP 4-250 P10 ETO	Code 1004 3448
JP 4-250 T10 ETO	Code 1004 3814
JP 4-250 S10 ETO	Code 1004 3816



JE 4-250 G10 ET40	Code 1004 2940
JE 4-250 B10 ET40	Code 1004 3820
JE 4-250 K10 ET40	Code 1004 3822
JE 4-250 Q10 ET40	Code 1004 3824
JE 4-250 F10 ET40	Code 1004 3813
JE 4-250 P10 ET40	Code 1004 4417
JE 4-250 T10 ET40	Code 1004 3817
JE 4-250 S10 ET40	Code 1004 3815





JP + MOTORE / MOTOR = JE

Rif. N° Pos. Nr.	Quant.	Denominazione	Part name	Den. Comm. Type	Mat. *	Codice Nuovo New Part. No.	JP 4-250 G10 ETO	JP 4-250 B10 ETO	JP 4-250 K10 ETO	JP 4-250 Q10 ETO	JP 4-250 F10 ETO	JP 4-250 P10 ETO	JP 4-250 T10 ETO	JP 4-250 S10 ETO			
01	1	Corpo (1)	Casing (1)		G	1002 3922	○					○					
					B	1002 3923		○									
					K	1002 3924			○								
					G	1002 7005				○		○					
					G+QPQ	1004 3880									○		
					G	1004 3709										○	
02	1	Piatto d'usura (2)	Wear plate (2)		G	1000 8418						○					
					B	1000 8393		○		○							
					K	1000 8468			○		○						
					GN	1000 8442	○										
					G+QPQ	1004 3881									○		
					G+N	1000 8443										○	
02.1	1	Piatto d'usura (3)	Wear plate (3)		G	1002 3926						○		○			
					B	1002 3927		○		○							
					K	1002 3928			○		○						
					GN	10023925	○										
					G+QPQ	1003 1136										○	
					G+N	1002 3925	○										○
03	1	Girante	Impeller		GS	1000 5365	○					○					
					B	1000 5243		○		○							
					K	1000 5425			○		○						
					G+QPQ	1000 5378									○		
					WCB	1000 5386										○	
					G	1004 0860	○	○	○	○	○	○	○	○	○	○	
04	1	Campana	Coupling flange		G	1004 0860	○	○	○	○	○	○	○	○			
					K	1004 3204		○	○	○	○	○	○	○	○		
04.2	4	Vite	Screw	M 12 x 55 DIN 933	S	1000 2002	○					○	○	○			
					K	1004 3204			○	○	○	○	○	○	○		
04.3	4	Dado	Nut	M 12 DIN 934	S	1000 1422	○					○	○	○			
					K	1000 1439			○	○	○	○	○	○	○		
04.5	1	Tappo	Plug			1000 2908	○	○	○	○	○	○	○	○			
07	1	Albero (4)	Shaft (4)		S	1004 0863	○					○	○	○			
					K	1004 3203			○	○	○	○	○	○	○		
07.5	3	Vite	Screw	M 8x10 DIN 916		1004 8377	○	○	○	○	○	○	○	○			
08	1	Copricuscinetto	Bearing cover		S	1004 0857	○	○	○	○	○	○	○	○			
10	1	Portavalvola	Suction flange	R 4"	G	1000 6426	○				○	○	○	○			
					B	1000 6401		○		○							
					K	1000 6450			○		○						
							+F	+F	+F	+F	+F	+F	+F	+F			
14.1	1	Valvola completa	Check valve ass.		NK	1000 9032	○	○						○	○		
					VK	1000 9024			○	○	○	○	○	○	○	○	
16	2	Portina	Cover		G	1000 6475	○				○	○	○	○			
					B	1000 6468		○									
					K	1000 6504			○								
					GZ	1000 8504	+Z			○					+Z	+Z	
16.1	1	Placca zinco	Zinc anode		Z	1000 3810	+Z			○			+Z	+Z			
17 (**)	2	Guarnizione	Gasket														
19	1	Portamotore	Head		G	1002 1216	○			○	○	○					
					B	1002 1276		○									
					K	1002 1332			○								
					G+QPQ	1002 6831									○		
					G	1002 5301										○	
21	1	Flangia mandata	Discharge flange	R 4"	G	1000 5094	○				○	○	○	○			
					B	1000 5072		○		○							
					K	1000 5115			○								
							+F	+F	+F	+F	+F	+F	+F	+F			

Rif. N°. Pos. Nr.	Quant.	Denominazione	Part name	Den. Comm. Type	Mat. *	Codice Nuovo New Part. No.	JP 4-250 G10 ETO	JP 4-250 B10 ETO	JP 4-250 K10 ETO	JP 4-250 Q10 ETO	JP 4-250 F10 ETO	JP 4-250 P10 ETO	JP 4-250 T10 ETO	JP 4-250 S10 ETO
22 (**)	1	Guarnizione	Gasket											
23	1	Portina	Cover		S	1000 6473	○				○	○	○	○
					OTS	1000 3748		○						
					K				○					
					SZ	1000 8502	+Z			○			+Z	+Z
23.1	2	Placca zinco	Zinc anode		Z	1000 3810	+Z			○			+Z	+Z
24 (**)	1	Guarnizione	Gasket											
25	1	Anello di tenuta compl.	Mechanical seal ass.	T 45 YYN ND T 45 YYV ND		1002 1228 1002 1309	○	○					○	○
33	1	Dado blocca girante	Impeller nut	M 30 x 2-5H UNI7474 M 30 x 2-5H UNI7474	H K	1000 1466 1000 1473	○					○	○	○
42 (**)	1	Guarnizione piatto	Wear plate gasket											
43 (**)	1	Guarnizione corpo	Casing gasket											
45	2	Vite	Screw	M 12 x 35 DIN 933	S	1000 1961	○					○	○	○
	2			M 12 x 45 DIN 933	S	1000 1963	○						○	○
	2			M 12 x 35 DIN 933	K	1000 2067		○	○	○	○			
	2			M 12 x 45 DIN 933	K	1000 2056		○	○	○	○			
45.1	4	Dado	Nut	M 12 DIN 934	S K	1000 1422 1000 1439	○					○	○	○
45.2	4	Rondella	Washer	M 12 UNI1751/52 A	S K	1000 1681 1000 1685	○		○	○	○	○	○	○
47 (*)	8	Prigioniero	Stud	M 12 x 35 DIN 938	S K		○						○	○
48 (*)	8	Prigioniero	Stud	M 12 x 30 DIN 938	S K		○		○	○	○		○	○
49 (*)	2	Prigioniero	Stud	M 10 x 30 DIN 938	S K		○		○	○	○		○	○
50 (*)	4	Prigioniero	Stud	M 12 x 30 DIN 938	S K		○		○	○	○		○	○
51	4	Vite	Screw	M 10 x 35 DIN 933	S	1000 1950	○	○	○	○	○		○	○
51.1	4	Dado	Nut	M 10 DIN 934	S	1000 1421	○	○	○	○	○		○	○
51.2	4	Rondella	Washer	M 10 DIN 125 A	S	1000 1691	○	○	○	○	○		○	○
52 (*)	8	Dado	Nut	M 12 DIN 934	S K		○		○	○	○		○	○
52.1 (*)	4	Dado	Nut	M 12 DIN 934	S K		○		○	○	○		○	○
52.2 (*)	4	Dado	Nut	M 12 DIN 934	S K		○		○	○	○		○	○
51	4	Vite	Screw	M 10 x 35 DIN 933	S	1000 1950	○	○	○	○	○		○	○
51.1	4	Dado	Nut	M 10 DIN 934	S	1000 1421	○	○	○	○	○		○	○
51.2	4	Rondella	Washer	M 10 DIN 125 A	S	1000 1691	○	○	○	○	○		○	○
53 (*)	4	Dado	Nut	M 12 DIN 934 M 12 DIN 934	S K		○					○	○	
		Maniglietta	Wrench	M 12	OTS			○		○				○
		Maniglietta	Wrench	M 12	OTS		+M					+M	+M	
53.2 (*)	2	Dado	Nut	M 10 DIN 934 M 10 DIN 934	S K		○			○		○	○	
		Maniglietta	Wrench	M 10	OTS			○		○				○
		Maniglietta	Wrench	M 10	OTS		+M					+M	+M	
53.4 (*)	2	Rondella	Washer	M 10 DIN 125 A	S K		○		○	○	○	○	○	○
53.5 (*)	4	Rondella	Washer	M 12 DIN 125 A	S K		○		○	○	○	○	○	○
55	4	Vite	Screw	M 6 x 25 DIN 933	S	1002 8349	○	○	○	○	○	○	○	○
57 (*)	4	Vite	Screw	M 10 x 20 DIN 912	H K		○		○	○	○		○	
	1	Prigioniero	Stud	M 10 x 95	K									○
	3	Dado	Nut	M 10 UNI 7474	K									○
	1	Rondella	Washer	M 10 DIN125 A	K									○
	2	Prigioniero	Stud	M 10 x 30 DIN 938	K									○
58	1	Cuscinetto	Ball bearing	3308 2RS		1004 0861	○	○	○	○	○		○	○
60	1	Linguetta	Key	10x8x40 DIN 6885 A	K	1000 1626	○	○	○	○	○		○	○
62	1	Ghiera	Lock ring	M 40	S	1000 1573	○	○	○	○	○		○	○
63	1	Ghiera	Sleeve	35 x 50 x 10	S	1002 1222	○	○	○	○	○		○	○
66	1	Rondella	Washer	M 30 DIN 125A	H K	1000 1716 1000 1715	○		○	○	○		○	○

VARISCO S.p.A.

Terza Strada, 9 - Z.I. Nord - 35129 Padova - Italy

Tel. 049 82 94 111

Fax 049 82 94 373

+39 049 82 94 111

International +39 049 80 76 762



varisco
solid pumping solutions

Rif. N°. Pos. Nr.	Quant.	Denominazione	Part name	Den. Comm. Type	Mat. *	Codice Nuovo New Part. No.	JP 4-250 G10 ET0	JP 4-250 B10 ET0	JP 4-250 K10 ET0	JP 4-250 Q10 ET0	JP 4-250 F10 ET0	JP 4-250 P10 ET0	JP 4-250 T10 ET0	JP 4-250 S10 ET0
68.5 (*)	1	Tappo	Plug	1/4" 1/4" DIN 908	S K		○	○	○	○	○	○	○	○
57 (*)	4	Vite	Screw	M 10 x 20 DIN 912	H K		○	○	○	○	○	○	○	○
57.1 (*)	4	Vite	Screw	M 12 x 25 DIN 933	S K		○	○	○	○	○	○	○	○
57.3 (*)	4	Rondella	Washer	M 12 DIN 125A	S K		○	○	○	○	○	○	○	○
58	1	Cuscinetto	Ball bearing	3308 2RS		1004 0861	○	○	○	○	○	○	○	○
60	1	Linguetta	Key	10x8x40 DIN 6885 A	K	1000 1626	○	○	○	○	○	○	○	○
63		Ghiera	Sleeve			1002 1222	○	○	○	○	○	○	○	○
70 (*)	1	Ingrassatore	Grease nipple	1/4"		1000 1662	○	○	○	○	○	○	○	○
	1	Cartuccia Perma	Perma cartridge			1000 8316	+P	+P	+P	+P	+P	+P	+P	+P
70.1	1	Manicotto	Union		G	1000 2352	+P	+P	+P	+P	+P	+P	+P	+P
70.2	1	Prolunga	Grease tube		S	1000 6955	+P	+P	+P	+P	+P	+P	+P	+P
75	1	Motore V.400-690 (3-PH)	A.C.Motor V.400-690 (3-PH)	7,5 Kw B35 IP55		1004 2941	○	○	○	○	○	○	○	○
80	1	Piede motore	Motor base		S	1004 2841	○	○	○	○	○	○	○	○
80.1	1	Kit piede motore	Electric motor foot			1004 3181	○	○	○	○	○	○	○	○
83.1	1	Gancio di sollevam.	Lifting hook		S	1004 5782	○	○	○	○	○	○	○	○
(*)		Serie viterie	Set of screws			1002 1368 1002 1375 1002 1453 1002 5302	○	○	○	○	○	○	○	○
(**)		Serie guarnizioni	Set of gaskets		N N V V	1001 4009 1001 4013 1002 5773 1001 4011	○	○	○	○	○	○	○	○
+F***		Kit flange	Kit flange	DN 100 PN16 DN 100 PN16 DN 100 PN16 4" ASA150 4" ASA150 4" ASA150	G B K G B K	1004 2352 1004 2787 1004 2792 1004 2820 1004 2824 1004 2828	○	○	○	○	○	○	○	○
+P***		Kit ingrassatore	Compl. Grease kit			1000 8316	○	○	○	○	○	○	○	○
+Z***		Kit portine	Set of couver		GZ	1001 4027	○	○	○	○	○	○	○	○
+M***		Kit maniglie	Set of wrench		OTS	1004 2351	○	○	○	○	○	○	○	○
***		Optional												

Note:	Notes:
1) Completo di prigionieri (47, 48, 49, 50, 54) e tappo (68.5).	1) Complete with studs (47, 48, 49, 50, 54) and plugs (68.5).
2) Completo di viti (57).	2) Complete with screws (57).
3) Completo di guarnizione (42).	3) Complete with gasket (42).
4) Completo di dado (33), rondella (66), linguette (60,61) ghiera (62) e viti (07.5).	4) Complete with nut (33), washer (66), keys (60,61) and lock ring (62) and screws (07.5).
* Materiali di costruzione	* Construction material
G = Ghisa	G = Cast iron
G+QPQ = Ghisa + trattamento QPQ	G+QPQ = Cast iron + Quench Polish Quench
GS = Ghisa sferoidale	GS = Ductile cast iron
H = Acciaio INOX AISI 304	H = AISI 304 Stainless steel
K = Acciaio INOX AISI 316	K = AISI 316 Stainless steel
N = Gomma nitrile	N = Nitrile rubber
OTS = Ottone	OTS = Brass
S = Acciaio	S = Steel
V = Viton	V = Viton
Z = Zinco	Z = Zinc
WCB = Acciaio ASTM A 216	WCB = ASTM A 216 Stainless
Ordinare il materiale indicando sempre la quantità, la denominazione, il codice del pezzo, il tipo ed il numero della pompa.	When ordering spares always indicate type and serial number of pump, quantity, part name, and number.