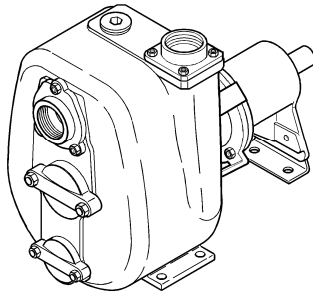
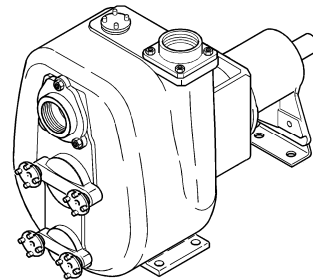


DISTINTA DELLE PARTI COSTITUENTI LE POMPE CENTRIFUGHE AUTOADESCANTI SERIE " J "

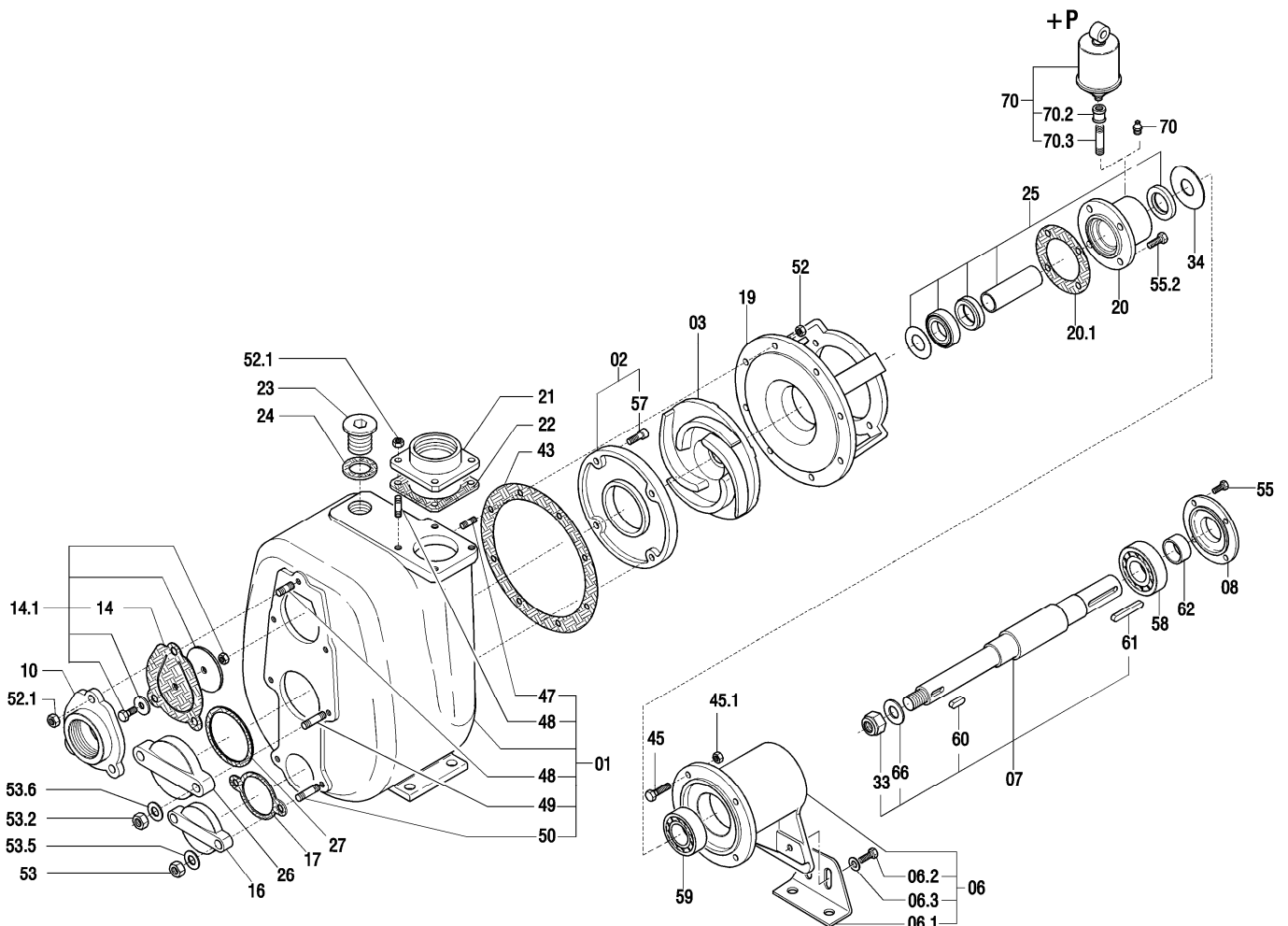
SPARE PARTS LIST FOR "J" SERIES SELF-PRIMING PUMPS



JS 2-170 G10 Code 1004 2199
 JS 2-170 F10 Code 1004 7435
 JS 2-170 P10 Code 1004 7433
 JS 2-170 K10 Code 1005 1094
 JS 2-170 T10 Code 1005 2013



JS 2-170 Q10 Code 1004 7434



Rif. N°. Pos. Nr.	Quant.	Denominazione	Part name	Den. Comm. Type	Mat.*	Codice Nuovo New Part No.	JS 2-170 G10	JS 2-170 F10	JS 2-170 Q10	JS 2-170 P10	JS 2-170 T10	JS 2-170 K10
01	1	Corpo (1)	Casing (1)		G	1001 6936	○	○		○		○
					K	1001 6938						○
					G+QPQ	1004 8990				○		○
					G	1002 7732			○			
02	1	Piatto d'usura (2)	Front wear plate (2)		G	1001 6934	○			○		
					GN	1000 8461						
					K	1000 8480		○				○
					G+QPQ	1002 6032					○	
					B	1000 8408			○			○
03	1	Girante	Impeller		GS	1004 2197	○			○		
					K	1004 7216		○				○
					G+QPQ	1005 2011					○	
					B	1004 7217			○			
06	1	Supporto completo (3)	Bearing housing ass. (3)		G	1000 9077	○	○	○	○	○	○
06.1	1	Piede supporto	Bearing housing foot		S	1000 6142	○	○	○	○	○	○
06.	2	Vite	Screw	M 12 x 30 DIN 933	S	1000 1960	○	○	○	○	○	○
06.3	2	Rondella	Washer	M 12 DIN 125 A	S	1000 1699	○	○	○	○	○	○
07	1	Albero (4)	Shaft (4)		S	1000 7593	○			○	○	
					K	1000 7612		○	○			○
08	1	Copricuscinetto	Bearing cover		G	1000 4772	○	○	○	○	○	○
10	1	Portavalvola	Suction flange	R2"	G	1000 6417	○	○		○	○	
					OTS	1000 6396			○			
					K	1000 6445						○
							+F	+F	+F	+F	+F	+F
14.1	1	Valvola completa	Check valve ass.		NH	1000 9015	○				○	
					VK	1000 9018		○	○	○	○	○
16	1	Portina	Cover		S	1000 6473	○	○		○	○	
					G	1000 6486						
					KL	1000 6502						○
					GZ	1000 8502	+Z		○		+Z	
16.1	1	Placca zinco	Zinc anode		Z	1000 3810	+Z		○	+Z		
17 (**)	1	Guarnizione	Gasket									
19	1	Portamotore	Head		G	1000 6342	○	○	○	○		
					K	1000 6371						○
					G+QPQ	1002 3624					○	
20	1	Portatenuta	Seal box		K	1000 6252					○	
20.1	1	Guarnizione	Gasket		E3	1000 5637					○	
21	1	Flangia mandata	Discharge flange	R2"	G	1000 5085	○	○		○	○	
					OTS	1000 5068			○			
					K	1000 5110						○
							+F	+F	+F	+F	+F	+F
22	1	Guarnizione	Gasket									
23	1	Tappo	Plug	1"	S	1000 2316	○	○		○	○	
					K	1000 2416						○
					OTSZ	1000 8372	+Z		○		+Z	
23.1	1	Placca zinco	Zinc anode		Z	1000 6574	+Z		○	+Z		
24 (**)	1	Guarnizione	Gasket									
25	1	Tenuta completa	Mechanical seal	T 30 YYN		1000 8894	○				○	
						1000 8895		○	○	○	○	○
26	1	Portina	Cover		G	1000 6474	○	○		○	○	
					K	1000 6503						○
					GZ	1000 8503	+Z		○		+Z	
26.1	1	Placca zinco	Zinc anode		Z		+Z		○	+Z		
27 (**)	1	Guarnizione	Gasket									
33	1	Dado blocca girante	Impeller nut	M 18 x 1,5 UNI 7474	H	1000 1464	○			○	○	
					K	1000 1471		○	○			○
34	1	Anello spartiacque	Water deflector	65 x 25,3 x 2	H	1000 4139	○	○	○	○	○	○
43 (**)	1	Guarnizione corpo	Casing gasket	177 x 219 x 0,5								
45	4	Vite	Screw	M 8 x 35 DIN 933	S	1000 1940	○			○	○	
					K	1000 2033		○	○			○
45.1	4	Dado	Nut	M 8 DIN 934	S	1000 1420	○			○	○	
					K	1000 1435		○	○			○
47 (*)	8	Prigioniero	Stud	M 8 x 18 DIN 938	S		○			○	○	
					K			○	○			○
48 (*)	3	Prigioniero	Stud	M 10 x 25 DIN 938	S		○			○	○	
					K			○	○			○

Rif. N°. Pos. Nr.	Quant.	Denominazione	Part name	Den. Comm. Type	Mat.*	Codice Nuovo New Part No.	JS 2-170 G10	JS 2-170 F10	JS 2-170 Q10	JS 2-170 P10	JS 2-170 T10	JS 2-170 K10
48.1 (*)	4	Prigioniero	Stud	M 10 x 25 DIN 938	S		○	○	○	○	○	○
					K			○				○
49 (*)	2	Prigioniero	Stud	M 10 x 30 DIN 938	S		○					
					K			○				○
				M 10 x 35 DIN 938	K				○			
50 (*)	2	Prigioniero	Stud	M 10 x 30 DIN 938	S		○					
					K			○				○
				M 10 x 35 DIN 938	K				○			
52 (*)	8	Dado	Nut	M 8 DIN 934	S		○					
					K			○	○			○
52.1 (*)	3	Dado	Nut	M 10 DIN 934	S		○					
					K			○	○			○
52.2 (*)	4	Dado	Nut	M 10 DIN 934	S		○					
					K			○	○			○
53 (*)	2	Maniglietta	Wrench	M 10	OTS		+M		○	+M	+M	
		Dado	Nut	M 10 DIN 934	S		○			○	○	
					K			○				○
53.2 (*)	2	Maniglietta	Wrench	M 10	OTS		+M		○	+M	+M	
		Dado	Nut	M 10 DIN 934	S		○			○	○	
					K			○				○
53.5 (*)	2	Rondella	Washer	M 10 DIN 125 A	H		○			○	○	
					K			○				○
53.6 (*)	2	Rondella	Washer	M 10 DIN 125 A	H		○			○	○	
					K			○				○
55	4	Vite	Screw	M 6 x 16 DIN 933	S	1000 1932	○	○	○	○	○	○
55.2	4	Vite		M 8 x 35 DIN 931	K	1000 2033						○
57 (*)	4	Vite	Screw	M 8 x 20 DIN 912	K		○	○	○	○	○	○
58	1	Cuscinetto	Ball bearing	6306 -2RS		1000 1374	○	○	○	○	○	○
59	1	Cuscinetto	Ball bearing	62206 - 2RS		1000 1363	○	○	○	○	○	○
60	1	Linguetta	Key	8 x 7 x 20 DIN 6885 A	K	1000 1621	○	○	○	○	○	○
61	1	Linguetta	Key	8 x 7 x 50 DIN 6885 A	S	1000 1594	○	○	○	○	○	○
62	1	Ghiera	Sleeve		S		○	○	○	○	○	○
66	1	Rondella	Washer	M 18 DIN 125 A	H	1000 1712	○			○	○	
				M 18 DIN 125 A	K			○	○			○
70	1	Ingrassatore	Grease nipple	1/4"		1000 1662	○	○	○	○	○	○
		Cartuccia Perma	Perma cartridge			1000 8316	+P	+P	+P	+P	+P	+P
70.2	1	Manicotto	Union	1/4"	G	1000 2352	+P	+P	+P	+P	+P	+P
70.3	1	Prolunga	Grease tube	1/4"	S	1000 6955	+P	+P	+P	+P	+P	+P
(*)		Serie viterie	Set of screws			1001 4400	○			○	○	
						1001 4410		○				○
						1001 4405			○			
(**)		Serie guarnizioni	Set of gaskets			1001 4401	○				○	
						1001 4411						○
						1001 4413		○	○	○		
+F***		Kit flange	Kit flange	DN 50 PN16	G	1004 2783	○			○	○	
				DN 50 PN16	B	1004 2786			○			
				DN 50 PN16	K	1004 2790		○				○
				2" ASA150	G	1004 2809	○			○	○	
				2" ASA150	B	1004 2805			○			
				2" ASA150	K	1004 2826		○				○
+P***		Kit ingrassatore	Compl. Grease kit			1000 8316	○	○	○	○	○	○
+Z***		Kit portine	Set of couver		GZ	1001 4416	○				○	
+M***		Kit manigliette	Set of wrench		OTS	1004 2798	○			○	○	
***		Optional										

VARISCO S.p.A.

Terza Strada, 9 - Z.I. Nord - 35129 Padova - Italy

Tel. 049 82 94 111

+39 049 82 94 111

Fax 049 82 94 373

International +39 049 80 76 762



Note:		Notes:	
1) Completo di prigionieri (47, 48, 49, 50).		1) Complete with studs (47, 48, 49, 50).	
2) Completo di viti (57).		2) Complete with screws (57).	
3) Completo di piede (06.1), viti (06.2) e rondella (06.3).		3) Complete with bearing housing foot (06.1), screws (06.2) and	
4) Completo di linguette (60, 61), dado (33) e rondella (66).		4) Complete with keys (60, 61), nut (33), and washer (66).	
* Materiali di costruzione		* Construction materials	
B = Bronzo		B = Bronze	
E3 = Centellen VS3820		E3 = Centellen VS3820	
G = Ghisa		G = Cast iron	
GS = Ghisa sferoidale		GS = Ductile cast iron	
H = Acciaio inox AISI 304		H = AISI 304 stainless steel	
K = Acciaio inox AISI 316		K = AISI 316 stainless steel	
KL = Acciaio inox AISI 316L		KL = AISI 316L stainless steel	
N = Gomma nitrile		N = Nitrile rubber	
OTS = Ottone		OTS = Brass	
S = Acciaio		S = Steel	
V = Viton		V = Viton	
Z = Zinco		Z = Zinc	
Ordinare il materiale indicando sempre la quantità, la denominazione, il codice del pezzo, il tipo ed il numero della pompa.		When ordering spares always indicate type and serial number of pump, quantity, part name, and number.	

VARISCO S.p.A.

Terza Strada, 9 - Z.I. Nord - 35129 Padova - Italy

Tel. 049 82 94 111

+39 049 82 94 111

Fax 049 82 94 373

International +39 049 80 76 762

