



Group: 12LD  
 Engine: 12LD 475-2 Drawing: A

**INTAKE AND EXHAUST**

POS.	CODE	DESCRIPTION	Qty
1	2605.034	air cleaner cover	1
1	3700.133	DRY AIRCLEANER	1
3	2175.048	air cleaner cartridge	1
4	1261.067	seal ring	1
5	8965.001	plug M 10	1
6	4670.059	copper gasket diam.10	1
7	8741.015	support	1
9	3240.018	nut M 8	1
10	9170.018	muffler end (d.36,5/38)	1
10	9170.052	muffler end (diam. 39,5/42)	1
100	1770.042	bolt M 8 X 1,25 X 10	3
11	9895.067	knob	1
12	4480.005	gasket	1
13	9700.100	dust indicator	1
14	9170.101	muffler end	1
15	5460.192	muffler-manif 395x122	1
15	5460.290	muffler-manif 416x143	1
15	5460.317	muffler (gear side exhausting)	1
16	6780.084	stud M 8 x 40 (52)	2
17	6927.172	muffler guard	1
18	3240.069	nut	4
19	2486.028	exhaust manifold	1
20	7565.007	washer diam. 8	1
21	1770.005	bolt M 8 X 1,25 X 22	1
22	2486.071	exhaust manifold	1
24	2136.053	filter cap (5'' air cleaner)	1
26	2175.124	main cartridge 5''	1
27	1240.005	snap ring	1
28	6780.045	stud M 8 X 12 (24)	1
29	2175.125	safety cartridge 5''	1
30	6780.086	stud M 8 x 65 (77)	2
31	4420.019	exhaust manif.gasket	2
32	4500.079	exhaust gasket	1
33	3815.013	exh.flange h=7,5	1
33	3815.022	exh.flange h= 7	1
34	6780.068	stud M 8 X 18 (30)	2
36	3240.163	nut M 8	2
37	9170.050	muffler end (d.43,5/42)	1
38	6491.031	discharging elbow	1
41	2100.055	preheating glow plug 12V (M 22 X 1,5)	1
41	2100.066	preheating glow plug 24V Beru	1
42	6902.027	manifold flange	2
43	2486.037	exh.manifold two outlets	1
44	4500.079	exhaust gasket	1
45	6300.018	plate	1
47	5460.248	muffler	1
48	8545.566	support diam 153 for air cleaner 5''	1
49	6727.022	cyclonic prefilter	1
50	3617.223	clamp	1
51	3700.299	dry air cleaner (5'') with safety cartridge	1
52	4776.062	gasket	1
53	6780.049	intake stud M 8 X 20 (36)	1
54	4670.026	copper gasket diam.22	1

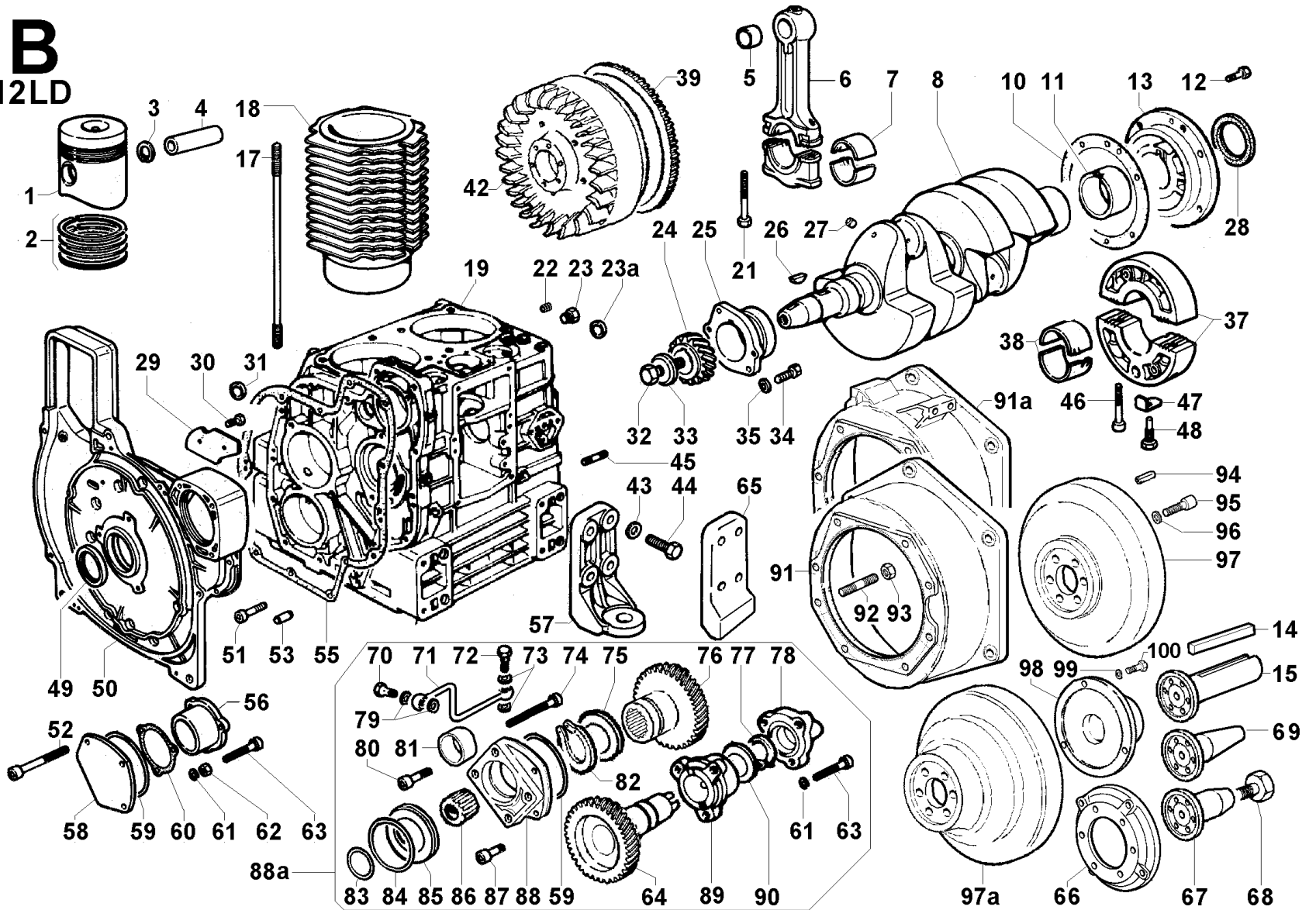
**Group: 12LD**  
**Engine: 12LD 475-2 Drawing: A**

**INTAKE AND EXHAUST**

POS.	CODE	DESCRIPTION	Qty
55	8965.065	drilled plug M 22	1
56	6780.030	stud M 8 X 70 (82)	2
57	2486.031	exhaust manifold	1
58	7565.007	washer diam. 8	4
60	4500.079	exhaust gasket	1
63	3700.272	AIR CLEANER	1
63	3700.329	AIR CLEANER	1
64	5496.193	filtering element	1
65	1261.073	seal ring diam. 62,5	1
65	3525.080	spacer	1
66	3240.018	nut M 8	3
67	7565.007	washer diam. 8	3
68	9732.064	screw M 8 X 30	2
69	2486.079	inlet manifold	1
70	3240.164	nut M 8	4
71	8965.071	plug M 22	1
72	3630.023	clamp	1
73	2145.013	cap	1
75	9400.035	suct.line mm 450x8	1
75	9400.054	suct.line mm 135x8	1
75	9400.058	suction line mm 250x8	1
76	4420.020	inlet manifold gasket	2
78	6780.084	stud M 8 X 40 (52)	2
79	4776.032	gasket h= 7 diam. 154	1
80	5496.075	filtering element	1
80	5496.111	filtering element h.87 diam.138	1
81	2486.396	inlet manifold two inlets	1
82	5460.424	exhaust muffler	1
83	4115.048	hook	2
84	3781.027	flange h= 7 mm d=40 mm	1
84	3781.112	flange h=14 mm d=50 mm	1
85	«-----»	exhaust muffler - no longer avail.	0
86	7300.091	breather union	1
86	7301.126	connection (WACKER vers.)	1
87	8545.137	muffler support	1
88	5460.291	muffler with horiz.inlet flange	1
90	4889.015	breather cap	1
91	4670.014	copper gasket diam.12	1
93	5460.326	muffler with 40° rotate inlet flange	1
94	6927.128	muffler guard	1
95	2486.052	exhaust manifold	1
96	5460.472	muffler-manifold	1
97	2942.028	inlet elbow	1
98	9400.090	suction line mm 305	1
99	7565.007	washer diam. 8	3



**B**  
12LD





Group: 12LD  
 Engine: 12LD 475-2 Drawing: B

CONN.ROD/PISTON/CYLINDER/CRANKSHAFT/FLYWHEEL/CRANKCASE/FLANGING/MOUNTS

POS.	CODE	DESCRIPTION	Qty
1	«-----»	PISTON SET +0,50 (EPA)	0
1	6500.700	PISTON SET std	2
1	6500.701	PISTON SET +0,50	2
1	6500.702	PISTON SET +1,00	2
1	6501.796	PISTON SET std (EPA)	2
2	8211.206	ring set std.	2
2	8211.207	ring set +0,50	2
2	8211.208	ring set +1,00	2
3	1160.053	Ring	4
4	8480.053	gudgeon pin	2
5	1630.018	small end bearing	2
6	1526.098	CONNECTING ROD	2
7	1640.082	big end bushing std.	2
7	1640.083	big end bushing -0,25	2
7	1640.084	big end bushing -0,50	2
8	1050.903	CRANKSHAFT	1
10	4701.058	gasket 0,30	1
10	4701.059	gasket 0,50	1
100	1760.005	bolt M 6 X 1 X 16	3
11	1611.053	bearing -0,50 (tank side)	1
11	1611.054	bearing -0,25 (tank side)	1
11	1611.055	bearing std. (tank side)	1
12	1770.156	bolt M 8 X 1,25 X 25	6
13	8675.291	SUPPORT	1
14	2280.085	key 9,52x9,52x85	1
15	6902.039	parallel extension	1
17	6850.124	cyl.head stud	8
18	2380.574	cylinder	2
19	1510.982	CRANKCASE	1
21	1770.101	bolt M 8 X 1 X 42	4
22	9080.133	cap diam. 8	3
23	9000.072	expansion plug M 30 X 2	1
23a	8990.022	expansion plug diam.30	1
24	4936.035	gear	1
25	8675.266	gear side support std.	1
25	8675.267	gear side support -0,25	1
25	8675.268	gear side support -0,50	1
26	2280.056	crankshaft wooddruff key	2
27	9080.133	cap diam. 8	4
28	1213.347	seal ring 70X88X8	1
29	5055.026	panel	1
30	1760.001	bolt M 6 X 1 X 10	2
31	9080.083	plug	1
32	9865.258	screw M 16 X 1,5 left rotation	1
33	7626.033	washer	1
34	1770.156	bolt M 8 X 1,25 X 25	2
35	«-----»	washer	0
37	8676.055	MIDDLE SUPPORT	1
38	1610.082	main bearing shell c. std.	1
38	1610.098	main bearing shell c. -0,25	1
38	1610.099	main bearing shell c. -0,50	1
39	2816.052	crown gear	1
42	9880.554	FLYWHEEL with CROWN 'automotive	1

**Group: 12LD**

**Engine: 12LD 475-2 Drawing: B**

**CONN.ROD/PISTON/CYLINDER/CRANKSHAFT/FLYWHEEL/CRANKCASE/FLANGING/MOUNTS**

POS.	CODE	DESCRIPTION	Qty
43	7565.011	washer diam.10	16
44	1780.007	bolt M 10 X 1,5 X 35	16
45	«-----»	stud	0
46	9732.075	screw M 8 X 50	2
47	5111.069	safety plate	1
48	1862.144	bolt	1
49	1213.321	oil seal (front) 42x58x10	1
50	8900.470	support	1
51	9732.063	screw M 8 X 35	10
52	9730.034	screw M 8 X 55	1
53	8460.055	locating dowel	2
55	4701.041	gasket	1
56	2751.096	cover	1
57	6429.033	engine mount	4
58	2615.075	cover	1
59	1200.174	rubber oil seal	1
60	4776.087	auxiliary hous.gasket	1
61	7625.010	washer diam. 8	3
62	3240.018	nut M 8	3
63	9730.032	screw M 8 X 45	3
64	4936.077	gear	1
66	1198.097	flanging ring	1
67	6900.074	conical extension	1
68	1862.012	bolt M14	1
70	1901.056	union bolt M 6	1
71	9455.075	lubricating pipe	1
72	7330.165	union	1
73	4670.060	copper gasket diam.12	2
74	9732.077	screw M 8 X 70	2
75	1257.027	thrust washer	1
76	4936.076	hydr.pump drive gear	1
77	1240.016	snap ring	1
78	2751.097	cover	1
79	4670.062	copper gasket diam. 6,2 X 10 X 1,5	2
80	9730.100	screw M 8 X 25	2
81	«-----»	sleeve - see Pos. B 88	0
82	1240.098	snap ring	1
83	1201.096	ring for support for hydr.pump fitt. 1 PD 3° PTO	1
83	1202.017	ring for support for hydr.pump fitt. 2 PD 3° PTO	1
84	1200.073	O ring OR 158	1
85	1301.046	center ring 1 PD 3° PTO	1
86	5400.054	hydr.pump hub 1 PD 3° PTO	1
86	5900.015	hub for hydr.pump 2 PD 3° PTO	1
87	9732.074	screw M 8 X 20	2
88	8836.139	support for hydr.pump fitt. 2 PD 3° PTO	1
88	8836.140	support for hydr.pump fitt. 1 PD 3° PTO	1
88a	8888.581	hydr.pump fitting 1 PD - 3° PTO	1
88a	8888.582	hydr.pump fitting 2 PD - 3° PTO	1
89	8780.015	gear support	1
90	1300.101	thrust washer	1
90	1301.047	center ring 2 PD 3° PTO	1
91	2032.303	"side engine flang.bell (type "B" - reduced dimension)"	1
91a	2032.074	"side engine flang.bell - type "B""	1

**Group: 12LD**

**Engine: 12LD 475-2 Drawing: B**

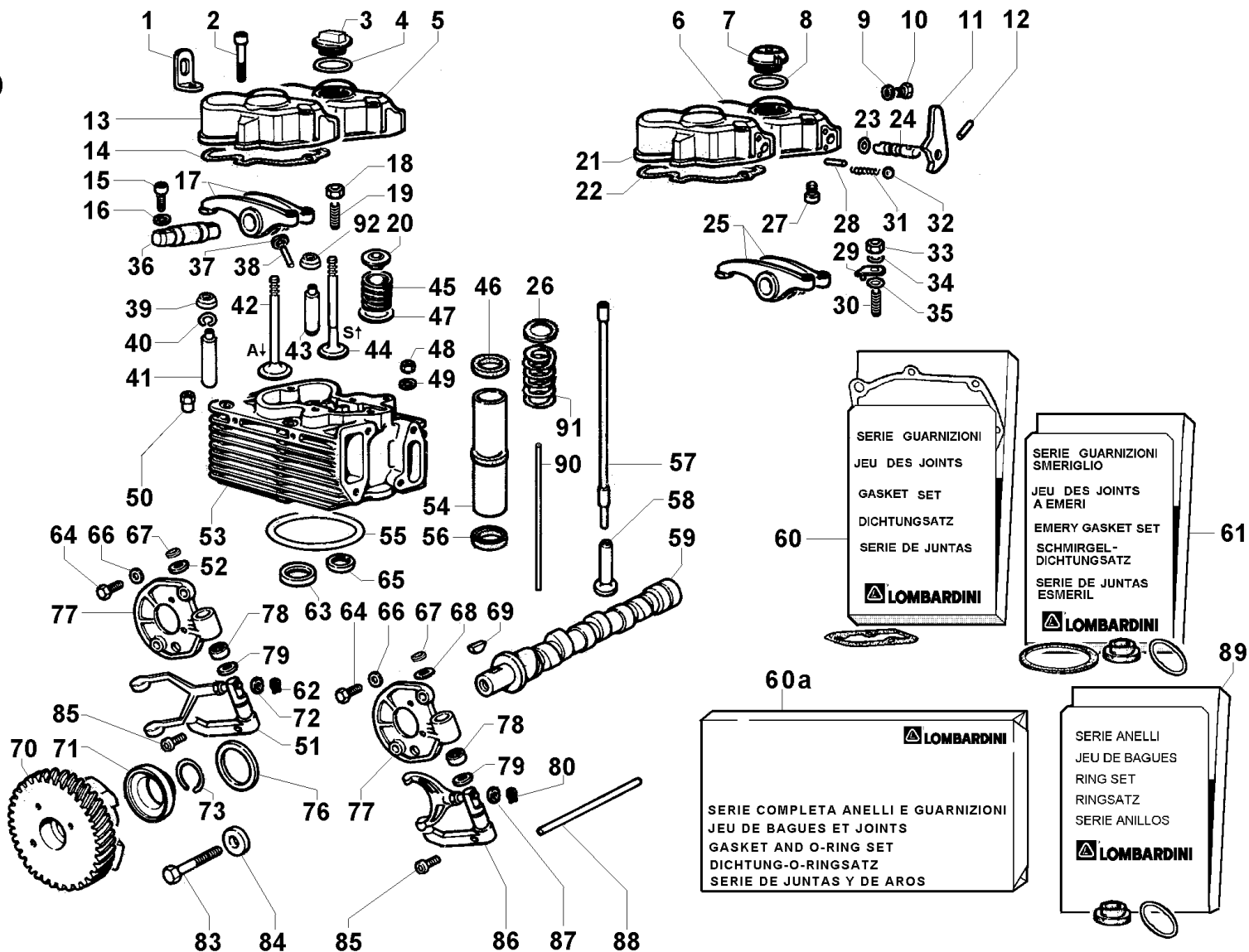
**CONN.ROD/PISTON/CYLINDER/CRANKSHAFT/FLYWHEEL/CRANKCASE/FLANGING/MOUNTS**

POS.	CODE	DESCRIPTION	Qty
92	6780.008	stud M 8 X 20 (32)	8
93	3240.164	nut M 8	8
94	8430.054	lockpin 7 X 16	2
95	9730.100	screw M 8 X 25	6
96	7645.006	washer diam. 8	6
97	2050.153	clutch bell F187	1
97a	2052.095	clutch bell	1
98	3855.028	clutch roller support	1
99	7565.004	washer diam. 6	3





**C**  
12LD





Group: 12LD  
 Engine: 12LD 475-2 Drawing: C

**CYLINDER HEAD/ROCKER ARM BOX/VALVES/TIMING/SPEED GOVERNOR**

POS.	CODE	DESCRIPTION	Qty
1	8506.003	engine lifting eye	2
2	9732.075	screw M 8 X 50	4
3	9032.079	FILLER OIL CAP M 36X3	1
4	1200.015	O ring 137 for filler oil cap	1
5	2125.338	rocker arm cover with hole for oil filler	1
6	2125.100	ROCKER COVER FRONT (with oil filler hole)	1
7	9032.064	FILLER OIL CAP	1
8	1200.015	O ring 137 for filler oil cap	1
9	4670.014	copper gasket diam.12	1
10	9000.064	plug	1
11	«-----»	C 21	0
12	8430.005	locating pin	2
13	2125.339	rocker arm cover	1
14	4400.061	rocker cov.gasket 0,80	2
15	9730.100	screw M 8 X 25	4
16	7565.007	washer diam. 8	4
17	4330.036	ROCK.ARM ASS.Y std	2
17	4330.064	ROCKER ARM ASS.Y 1500/1800 R.P.M.	2
18	3240.010	nut M 7	4
19	9850.002	rocker arm adjuster	4
20	6410.112	retainer with half-collets	4
21	2125.101	ROCK.ARM COVER ASS.Y	1
22	4400.061	rocker cov.gasket 0,80	2
23	1200.034	O ring 105	2
24	6095.010	cam	2
25	4330.037	ROCKER ARM ASS.Y	2
25	4330.063	ROCKER ARM ASS.Y	2
26	7625.108	washer	2
27	9820.085	fixing screw	2
28	8430.004	tapper pin	2
29	6372.098	plate	2
30	9850.002	rocker arm adjuster	4
31	5780.011	spring	2
32	8245.005	ball	2
33	3240.010	nut M 7	4
34	8335.084	shim	2
35	8335.028	shim	8
36	6045.040	rocker arm shaft	2
37	1350.011	ring	2
38	9455.053	rocker shaft lub.pipe	2
39	1213.338	seal ring for valve	2
40	«-----»	circlip	0
41	4845.247	inlet v.guide std.	2
42	9652.153	intake valve	2
43	«-----»	exhaust v.guide +0,50	0
43	4845.248	exhaust v.guide std.	2
44	9685.146	exhaust valve	2
45	5755.004	valve spring	4
46	4740.029	gasket	2
47	3430.067	spring seat (bottom)	4
48	3240.124	nut	8
49	7625.196	washer diam.10,5	8
50	3300.227	elongated nut	2

**Group: 12LD**  
**Engine: 12LD 475-2 Drawing: C**

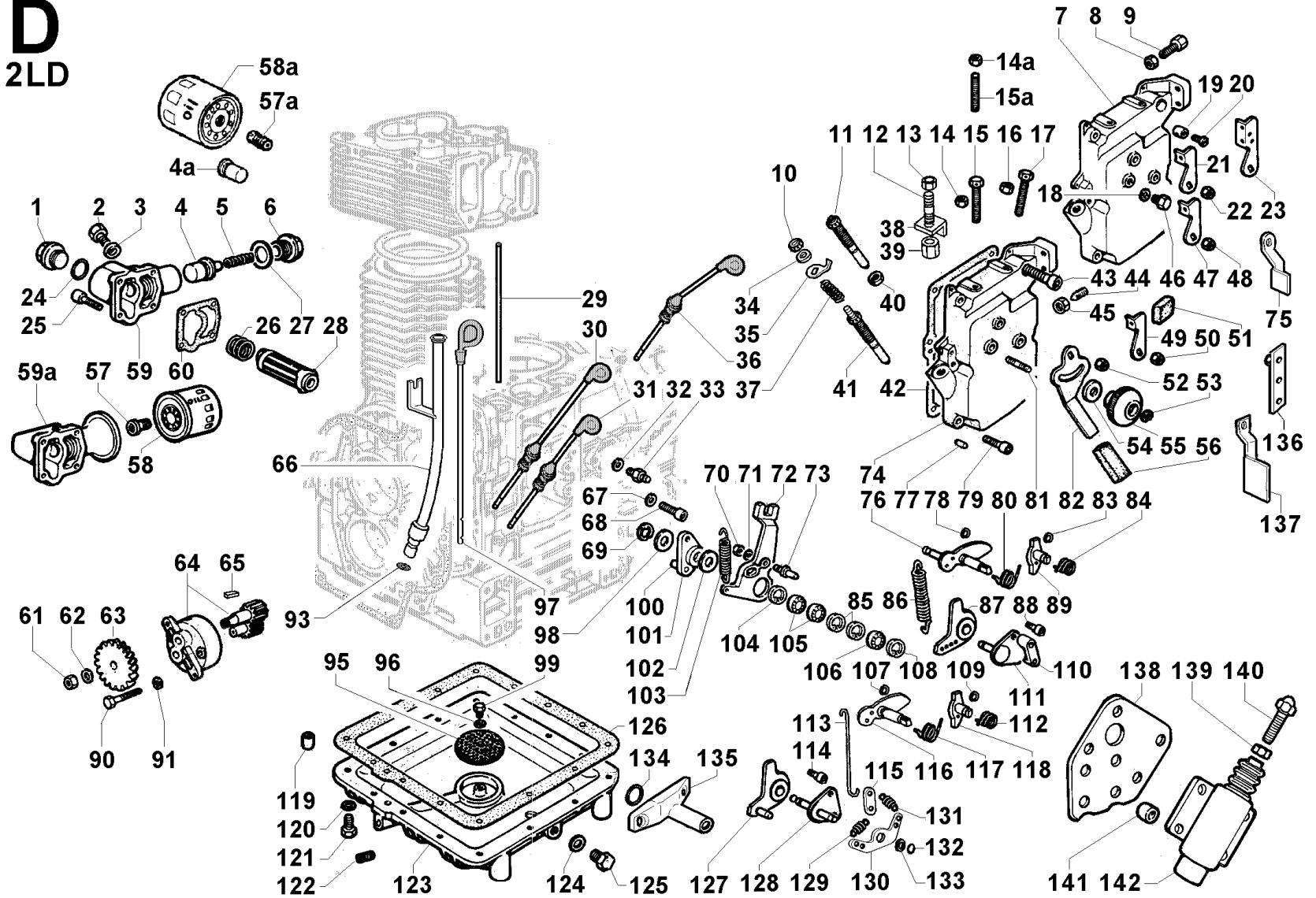
<b>CYLINDER HEAD/ROCKER ARM BOX/VALVES/TIMING/SPEED GOVERNOR</b>			
POS.	CODE	DESCRIPTION	Qty
51	5200.854	GOVERNOR LEVER	1
52	7626.040	washer	1
53	9200.711	CYL.HEAD ASS.Y	2
53	9200.733	CYL.HEAD ASS.Y (EPA)	2
54	9520.055	guard tube	2
55	4730.560	head gasket 0,50	2
55	4730.561	head gasket 0,55	2
55	4730.562	head gasket 0,60	2
55	4730.563	head gasket 0,65	2
55	4730.564	head gasket 0,70	2
55	4730.565	head gasket 0,75	2
55	4730.566	head gasket 0,80	2
55	4730.567	head gasket 0,85	2
55	4730.568	head gasket 0,90	2
55	4730.569	head gasket 0,95	2
56	4740.029	gasket	2
57	1410.088	push rod	4
58	7215.043	tappet	4
59	1011.085	camshaft 3600 R.P.M.	1
59	1011.110	camshaft 3000 R.P.M.	1
59	1011.544	camshaft (EPA)	1
60	«-----»	GASKET SET - see Pos. C 60a	0
60a	8205.103	RING AND GASKET COMPLETE SET	1
61	«-----»	SET for grinding	0
62	1240.077	snap ring	1
63	8000.212	inlet v.seat	2
64	1770.150	bolt M 8 X 1,25 X 22	2
65	8000.213	exhaust v.seat	2
66	«-----»	washer	0
67	1240.005	snap ring	1
68	7626.040	washer	1
69	2280.047	key 4 x 5,5 x 16	1
70	7362.277	SPEED GOV. > 3000 R.P.M.	1
70	7362.278	SPEED GOV. 3000 > R.P.M.	1
71	2086.140	governor bell	1
72	7625.333	washer diam. 6	1
73	1160.022	circlip	1
76	«-----»	ball bearing	0
77	4882.046	GOVERNOR LEVER ASS.Y	1
78	1585.025	bushing	2
79	7626.040	washer	1
80	1240.077	snap ring	1
83	1780.059	bolt M 10 X 1,5 X 35	1
84	7626.038	washer	1
85	9730.107	screw M 6 X 14	1
86	«-----»	no longer avail. - see Pos. 51	0
87	7625.007	washer diam. 6	1
88	6080.022	governor push rod	1
89	8150.017	O RING SET	1
90	«-----»	see Pos. D 29	0
91	5801.153	spring	2
92	1213.338	seal ring for valve	2

**Additional Info - Engine: 12LD 475-2 Drawing: C**

<b>CYLINDER HEAD/ROCKER ARM BOX/VALVES/TIMING/SPEED GOVERNOR</b>							
<b>Pos.</b>	<b>Old part</b>	<b>Serv.Lett.</b>	<b>Notes</b>	<b>S.No/Date</b>			
C 3	9032.064	120011	Pos. 3-4 -				4055925
C 5	2125.093	120011	-				4055925
C 13	2125.094	120011	-				4055925
C 20	6410.018	120016	-				4424534
C 39	2135.072	120005	-				3474289
C 40	1160.021	120016	- fitted until shown engine s.no				4424534
C 41	4845.183	120005	-				3474289
	4845.231	120016	-				4424534
C 41	4845.182	120005	-				3474289
	4845.230	120016	-				4424534
C 42	9652.061	120016	-				4424534
C 43	4845.185	120016	-				4424534
C 43	4845.184	120016	-				4424534
C 44	9685.067	120016	-				4424534
C 51		120004	Pos. 51-52-62-67-68-72-85 - starting from shown engine s.no				3396161
C 53	9200.243	120009	Pos. 41-43-53-63-65 - the old cylinder head 9200.243 can be replaced by 9200.344 with separate parts				3914324
	9200.245	120016	Pos. 41-43-53-63-65 -				4424534
C 53		A039	Pos. 41-43-53-63-65 -				4437774
C 55	4730.246	120009	-				3914324
C 55	4730.247	120009	-				3914324
C 55	4730.054	120009	-				3914324
C 55	4730.248	120009	-				3914324
C 55	4730.071	120009	-				3914324
C 55	4730.249	120009	-				3914324
C 55	4730.050	120009	-				3914324
C 55	4730.250	120009	-				3914324
C 55	4730.070	120009	-				3914324
C 55	4730.251	120009	-				3914324
C 59		A039	-				4437774
C 60	8180.164	120009	Pos.A31-A52-A76-B10-B55-C14-C55-D42-D60-D126-D135-F100 -				3914324
	8180.197	D091	Pos.A31-A52-A76-B10-B55-C14-C55-D42-D60-D126-D135-F100 -				03.2002
C 60a		D091	Pos.A31-A52-A76-B10-B55-B59-B60-C14-C37-C39-C46-C55-C56-C92-D24-D42-D60-D126-D135-E 2-E 4-E18-E19-E3 -				03.2002
C 61	8185.027	120009	Pos.A 31-A 32-A 52-A 76-B 55-C 4-C 14-C 23-C 39-C 46-C 56-E 2-E 4-E 18-E 19-E 32-E 63-E111-E141 - fitted until shown engine s.no				3914324
C 63	8000.065	120016	-				4424534
C 64	1770.006	120006	-				3528962
C 65	8000.066	120016	-				4424534
C 66	7555.029	120006	- fitted until shown engine s.no				3528961
C 70	7362.160	120004	Pos. 70-71-73 -				3396161
C 70	7362.186	120004	Pos. 70-71-73 -				3396161
C 71	2086.084	120004	-				3396161
C 76	3110.058	120004	- fitted until shown engine s.no				3396160
C 77	8785.069	120004	Pos. 51-52-62-67-68-72-77-78-85 - substitution				
C 86	5200.300	120004	- fitted until shown engine s.no - then see Pos. C 51				3396161
C 92		120016	- starting from shown engine s.no				4424534

# D

12LD





Group: 12LD  
 Engine: 12LD 475-2 Drawing: D

**CONTROLS/LUBRICATING SYSTEM**

POS.	CODE	DESCRIPTION	Qty
1	<----->	oil cartridge cap with M 14 hole	0
4a	9680.054	pressure oil valve	1
5	<----->	spring	0
7	2516.061	REMOTE ACCELER.CONTROL-HAND STOP	1
7	2516.109	REMOTE ACCELER.CONTROL-HAND STOP	1
7	2516.114	REMOTE ACCELER.AND STOP CONTROL	1
7	2516.183	REMOTE ACC. AND STOP with ELECTROMAGNET	1
7	2516.195	REMOTE ACCELER.AND STOP CONTROL (EPA)	1
7	2690.364	REMOTE ACCELER.AND STOP CONTROL (EPA)	1
8	3240.019	nut M 8 alpha brass	2
9	9180.192	cable end	2
10	3203.038	nut M 5x0,8	1
11	8576.065	EXTRA FUEL DEVICE	1
12	6780.089	stud M 8 X 28 (45)	1
13	3203.099	nut	1
14	3240.008	nut M 6	1
14a	3300.237	nut (EPA type)	1
15	1760.041	bolt M 6 X 1 X 40	1
15a	9765.169	screw M 6 X 40 (EPA)	1
16	3240.008	nut M 6	1
17	1760.041	bolt M 6 X 1 X 40	1
18	4670.058	copper gasket diam. 8,2X12X1,5	1
19	5830.119	nut	2
20	9790.023	screw M 5 X 7	2
21	5200.108	cable adapter plate	1
22	3240.164	nut M 8	1
23	5200.323	control lever	1
24	<----->	O ring 137	0
29	9455.074	lubricating pipe	2
31	<----->	dipstick (mm 267)	0
31	1400.395	dipstick std (mm 110)	1
32	7555.004	washer diam. 6	1
33	6040.015	pin	1
34	771R.001	washer diam. 5,3	1
35	5271.068	lever	1
36	1400.395	extended dipstick (mm 210)	1
37	5600.033	extra-fuel spring	1
38	5168.052	tabwasher	1
39	3240.131	nut	1
40	3240.058	nut	1
41	8576.029	extra fuel device	1
42	4775.526	gov. housing gasket	1
43	9730.018	screw M 6 X 45	1
46	1770.042	bolt M 8 X 1,25 X 10	1
47	5200.108	cable adapter plate	1
48	3240.164	nut M 8	1
49	5200.108	cable adapter plate	1
50	3240.164	nut M 8	1
51	<----->	cap	0
52	3240.164	nut M 8	1
53	1240.077	snap ring	1
54	7625.098	washer diam. 8,4	1
55	6545.009	knob	1

**Group: 12LD**  
**Engine: 12LD 475-2 Drawing: D**

**CONTROLS/LUBRICATING SYSTEM**

POS.	CODE	DESCRIPTION	Qty
56	4340.067	jacket	1
57	«-----»	head filter oil conn.	0
57a	7265.021	oil filter connector	1
58	«-----»	oil filter cartridge	0
58a	2175.107	oil filter cartridge (mm 59)	1
58a	2175.131	oil filter cartridge (mm 90)	1
59	«-----»	oil filter cover	0
61	3240.036	nut M 10	1
62	7565.011	washer diam.10	1
63	4936.009	oil pump drive gear	1
64	6605.037	lub.oil pump ass.y	1
66	9330.025	dipstick guard	1
66	9330.046	dipstick guard	1
67	7625.012	washer diam. 8,4	1
68	9732.074	screw M 8 X 20	1
69	1165.010	circlip	1
70	3240.008	nut M 6	1
71	7555.004	washer diam. 6	1
72	5200.200	operating arm	1
72	5200.605	LEVER ASS.Y(R.P.M. > 3001	1
72	5200.909	LEVER ASS.Y(R.P.M. < 3000	1
73	«-----»	support pin - see Pos. F 72	0
74	2516.174	HAND CONTROL	1
74	2690.287	HAND CONTROL	1
74	2690.363	HAND CONTROL (EPA)	1
75	5271.055	stop lever (engine with electro-magnet)	1
76	«-----»	see Pos. D116	0
77	8460.055	locating dowel	2
78	1200.034	O ring 105	1
79	9732.078	screw M 6 X 25	5
80	5680.077	spring	1
81	6870.021	stud	1
82	5200.110	lever	1
83	1200.034	O ring 105	1
84	5680.077	spring	1
85	«-----»	circlip diam. 19 - see Pos. I 72	2
86	5655.046	gov.spring (WACKER)	1
86	5655.077	gov.spring(R.P.M. < 2200	1
87	«-----»	see Pos. D127	0
89	5200.154	pivot arm	1
90	1770.009	bolt M 8 X 1,25 X 35	2
91	7565.007	washer diam. 8	2
93	1200.001	O ring 108	1
95	5090.010	oil strainer	1
96	7565.004	washer diam. 6	1
97	1400.095	dipstick (mm 441)	1
98	7625.106	washer diam. 7,1	2
99	1760.001	bolt M 6 X 1 X 10	1
100	6140.370	pin	1
101	«-----»	governor push rod actuator - see Pos. D 72	0
102	3527.246	spacer	1
103	«-----»	extra f.spr.(mtcompr.	0
103	5550.026	extra f.spr.(R.P.M. 3001>	1



**Group: 12LD**  
**Engine: 12LD 475-2 Drawing: D**

**CONTROLS/LUBRICATING SYSTEM**

POS.	CODE	DESCRIPTION	Qty
103	5801.154	extra f.spr.(R.P.M. > 3000	1
104	«-----»	circlip diam. 19 - see Pos. I 72	2
105	3000.004	ball bearing	2
107	1200.034	O ring 105	1
108	«-----»	circlip diam. 19 - see Pos. I 72	2
109	1200.034	O ring 105	1
110	«-----»	see remarks	0
112	5680.077	spring	1
113	9245.135	tie rod	1
114	9730.024	screw M 8 X 16	2
115	6370.281	plate	1
116	5200.583	lever	1
117	5680.077	spring	1
117	5680.078	spring	1
118	5200.154	pivot arm	1
119	8430.065	locking needle	1
120	«-----»	washer	0
121	1770.155	bolt M 8 X 1,25 X 30	14
122	9765.108	screw M 10	1
123	6645.460	oil pan	1
123	6645.464	oil pan	1
123	6645.468	oil pan	1
123	6645.469	oil pan	1
123	6645.470	oil pan	1
124	4670.016	copper gasket diam.14	1
125	8965.005	oil drain plug M 14	1
126	4601.042	gasket	1
127	«-----»	lever - see Pos. D 72	0
129	5655.107	gov.spring(R.P.M. > 3001	1
129	5655.242	gov.spring(R.P.M. < 3000	1
130	1541.106	balance lever	1
131	5655.107	gov.spring(R.P.M. > 3001	1
131	5655.242	gov.spring(R.P.M. < 3000	1
132	1165.005	circlip	1
133	7625.010	washer diam. 8	1
136	5151.075	plate	1
138	8900.167	electro-magnet support	1
139	3240.008	nut M 6	1
140	7200.196	drive rod	1
141	3527.071	spacer	1
142	3586.041	electro-magnet	1

**Additional Info - Engine: 12LD 475-2 Drawing: D**

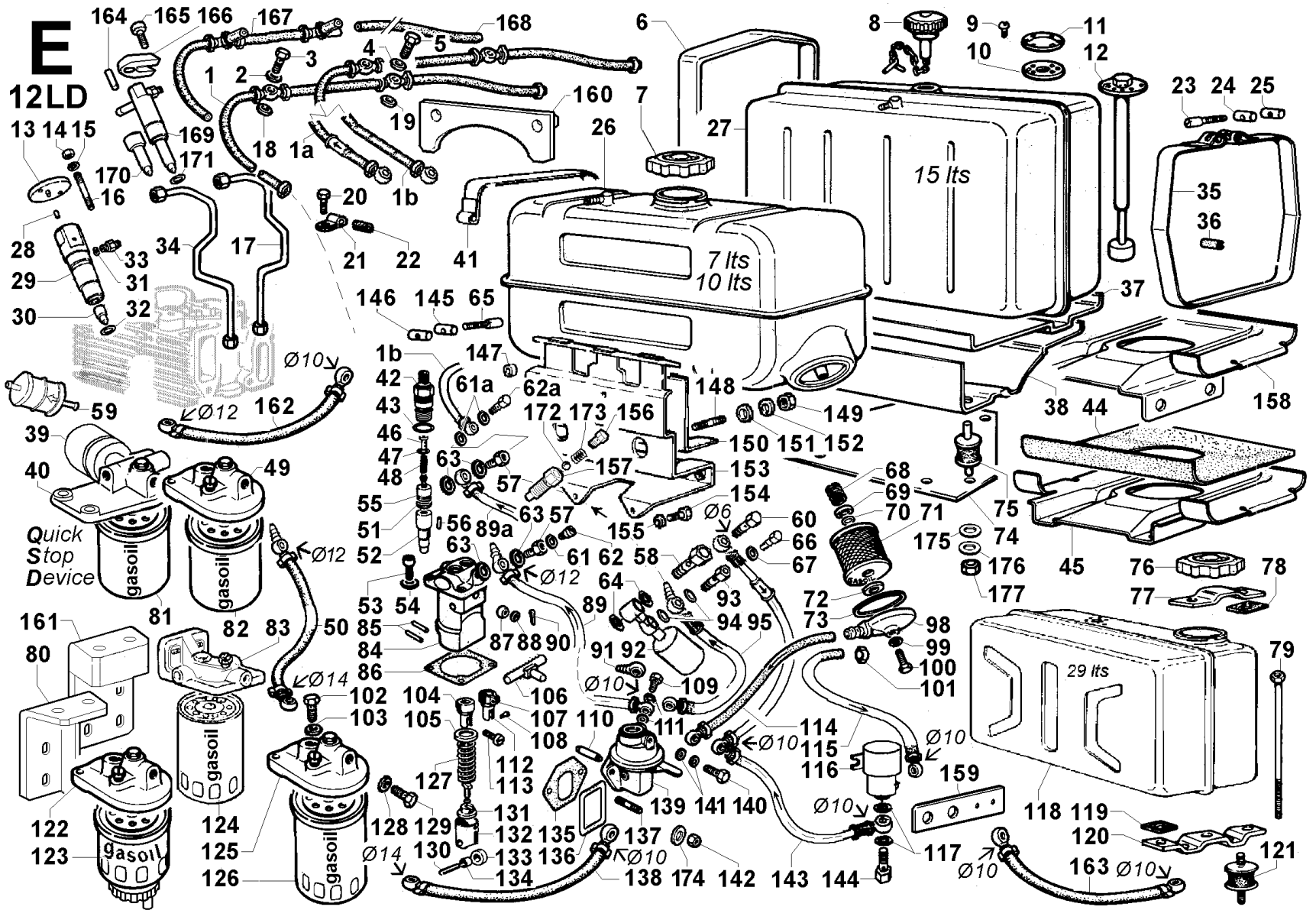
**CONTROLS/LUBRICATING SYSTEM**

Pos.	Old part	Serv.Lett.	Notes	S.No/Date
D 1	9060.008	120018	- fitted until shown engine s.no - then see Pos. C 51	4877736
D 2	1770.042	120018	- fitted until shown engine s.no - then see Pos. C 51	4877736
D 3	4670.058	120018	- fitted until shown engine s.no - then see Pos. C 51	4877736
D 4	9680.013	120018	- fitted until shown engine s.no - then see Pos. C 51	4877736
D 4a		120018	- starting from shown engine s.no	4877736
D 5	5755.049	120018	- fitted until shown engine s.no - then see Pos. C 51	4877736
D 6	9070.012	120018	- fitted until shown engine s.no - then see Pos. C 51	4877736
D 11	8576.018	120002	Pos. 11-40 - old type still supplied on gen sets and compressors (Wacker and Kaeser versions excluded)	3143616
D 14a		IT0002	-	
D 15a		IT0002	-	
D 24	1200.016	120018	- fitted until shown engine s.no - then see Pos. C 51	4877736
D 25	9730.012	120018	- fitted until shown engine s.no - then see Pos. C 51	4877736
D 26	5725.032	120018	- fitted until shown engine s.no - then see Pos. C 51	4877736
D 27	4670.088	120018	- fitted until shown engine s.no - then see Pos. C 51	4877736
D 28	2175.044	120018	- fitted until shown engine s.no - then see Pos. C 51	4877736
D 32		1804	- starting from shown engine s.no	2809667
D 33		1804	- starting from shown engine s.no	2809667
D 57	7330.066	120018	- fitted until shown engine s.no - then see Pos. C 51	4877736
D 57a		120018	- starting from shown engine s.no	4877736
D 58	2175.040	120018	- fitted until shown engine s.no - then see Pos. C 51	4877736
D 58a		120018	- starting from shown engine s.no	4877736
D 58a		120018	- starting from shown engine s.no	4877736
D 59	2605.019	120018	- fitted until shown engine s.no - then see Pos. C 51	4877736
D 59a	3902.052	120018	- fitted until shown engine s.no - then see Pos. C 51	4877736
D 60	4501.022	120018	- fitted until shown engine s.no - then see Pos. C 51	4877736
D 69	1240.001	120001	- old type still supplied on gen sets and compressors (Wacker and Kaeser versions excluded)	3090703
D 72	5200.265	120001	- old type still supplied on gen sets and compressors (Wacker and Kaeser versions excluded)	3090703
D 72		120014	Pos. 67-68-70-71-72-73-85-98-100-101-102-104-105-106-108-115-127-128-129-130-131-132-133 - starting from shown engine s.no	3660013
D 74	2516.060	120001	Pos.14-15-16-17-49-50-51-52-53-54-55-56-74-81-82-107-109-112-116-117-118 - old type still supplied on gen set s and compressors (Wacker and Kaeser versions excluded)	3090703
D 76	5200.194	120001	- still supplied on gen sets and compressors (Wacker and Kaeser versions excluded) - see Pos. D116	3090703
D 86	5655.076	120001	- still supplied on gen sets and compressors (Wacker and Kaeser versions excluded) - see Pos. D113	3090703
D 87	5200.271	120001	- fitted until shown engine s.no - then see Pos. D 127	3090703
D 88	9732.063	120001	- still supplied on gen sets and compressors (Wacker and Kaeser versions excluded) - see Pos. D114	3090703
D 98		120001	- starting from shown engine s.no	3090703
D100	6140.101	120001	- old type still supplied on gen sets and compressors (Wacker and Kaeser versions excluded)	3090703
D101	5200.250	120001	- old type still supplied on gen sets and compressors (Wacker and Kaeser versions excluded)	3090703
D102	7625.103	120001	- old type still supplied on gen sets and compressors (Wacker and Kaeser versions excluded)	3090703
	7625.104	120001	- old type still supplied on gen sets and compressors (Wacker and Kaeser versions excluded)	3090703
D103		120014	- starting from shown engine s.no	3660013
D110	3521.038	120001		

**Additional Info - Engine: 12LD 475-2 Drawing: D**

**CONTROLS/LUBRICATING SYSTEM**

Pos.	Old part	Serv.Lett.	Notes	S.No/Date
			- still supplied on gen sets and compressors (Wacker and Kaeser versions excluded)	3090703
D111	8785.070	120001	- still supplied on gen sets and compressors (Wacker and Kaeser versions excluded) - see Pos. D128	3090703
D113		120001	- starting from shown engine s.no	3090703
D114		120001	- starting from shown engine s.no	3090703
D115		120001	- starting from shown engine s.no	3090703
D116		120001	- starting from shown engine s.no	3090703
D120	7555.029	120006	- fitted until shown engine s.no	3528961
D121	1770.039	120006		3528962
D127		120001	- starting from shown engine s.no	3090703
D128		120001	- starting from shown engine s.no	3090703
D129		120001	- starting from shown engine s.no	3090703
D129		120014	- starting from shown engine s.no	3660013
D130		120001	- starting from shown engine s.no	3090703
D131		120001	- starting from shown engine s.no	3090703
D131		120014	- starting from shown engine s.no	3660013
D132		120001	- starting from shown engine s.no	3090703
D133		120001	- starting from shown engine s.no	3090703





**Group: 12LD**  
**Engine: 12LD 475-2 Drawing: E**

**FUEL SYSTEM**

POS.	CODE	DESCRIPTION	Qty
1	9371.101	bleeding pipe mm 745	1
1	9571.152	bleeding pipe mm 1550	1
1	9571.193	bleeding pipe mm 1150	1
1a	9571.208	bleeding pipe	1
1b	9371.101	bleeding pipe	1
2	4670.058	copper gasket diam. 8,2X12X1,5	1
3	1901.029	union bolt M 8	1
4	4670.058	copper gasket diam. 8,2X12X1,5	1
5	1901.029	union bolt M 8	1
6	3616.082	fuel tank strap	2
7	9043.092	fuel tank cap	1
8	9043.025	fuel tank cap	1
9	9761.001	screw M 4 X 0,7 X 12	6
10	4776.040	gasket	1
11	5055.023	plate	1
12	4906.008	fuel gauge (mm 193) 15/29 lt	1
13	3790.074	injector top plate	2
14	3203.050	selflocking nut M 6	4
15	7625.010	washer diam. 8	4
16	6760.045	stud M 6 X 65 (80)	4
17	9376.002	high press.pipe (EPA version)	1
17	9376.060	high press.pipe	1
18	4670.058	copper gasket diam. 8,2X12X1,5	1
20	9730.115	screw M 5 X 14	2
21	3616.018	injector feed pipe saddle	2
22	5400.046	rubber sheathing	2
23	9730.139	screw M 6 X 60	2
24	1557.019	drilled block	2
25	1557.020	threaded block	2
26	8103.046	FUEL TANK 7 lt (370x170x140)	1
27	8103.021	fuel tank 15 liters	1
28	«-----»	lockpin	0
29	6615.045	NOZZLE-HOLDER Bosch	2
30	6531.104	nozzle	2
31	4650.037	gasket	2
32	4670.005	copper gasket 0,50	2
32	4670.006	copper gasket 1,00	2
32	4670.065	copper gasket 1,50	2
33	7301.006	connection	2
34	9376.003	high press.pipe (EPA version)	1
34	9376.061	high press.pipe	1
35	3617.077	fuel tank strap mm 592	2
36	9600.057	rubber spacer	2
37	8315.016	rubber shim	1
38	8042.024	fuel tank saddle	1
39	3586.058	electric valve	1
40	3440.055	QSD STOP DEVICE	1
41	3617.214	fuel tank strap mm 345	2
42	7265.008	connection	2
43	1200.031	rubber oil seal	2
46	7470.003	filler	2
47	8335.029	washer seal	2
48	5755.034	valve spring	2

**Group: 12LD**  
**Engine: 12LD 475-2 Drawing: E**

**FUEL SYSTEM**

POS.	CODE	DESCRIPTION	Qty
49	3730.036	FUEL FILTER	1
50	9375.013	f.hose mm 2030	1
50	9375.032	fuel hose mm 336	1
50	9375.060	fuel hose mm 850	1
50	9375.142	fuel hose mm 1100	1
51	4760.015	valve gasket	2
52	6578.042	injection plunger	2
53	9730.100	screw M 8 X 25	3
54	7625.010	washer diam. 8	4
55	9672.012	delivery valve (mmc 25)	2
55	9672.029	delivery valve (mmc 15 for EPA 6590.364 inj.pump)	2
56	8400.048	taper pin	1
57	1901.031	union bolt M 12	1
58	1901.101	union bolt l=60	1
58	1901.102	bolt (Wacker version) l=43	1
58	3730.153	FUEL FILTER	1
60	1901.033	union bolt M 6	1
61	4775.196	gasket	1
61a	4670.062	copper gasket diam. 6,2 X 10 X 1,5	2
62	1901.171	deaeration plug	1
62a	1901.033	union bolt M 6	1
63	4670.060	copper gasket diam.12	2
65	9730.139	screw M 6 X 60	2
66	1901.171	deaeration plug	1
67	4775.196	gasket	1
68	5575.006	spring	1
69	3930.019	cup	1
70	1200.268	rubber oil seal	1
71	2175.009	fuel filter cartridge	1
71	3730.015	FUEL FILTER	1
72	4490.017	gasket	1
73	4430.071	gasket	1
74	6370.515	tank plate	1
75	8636.001	vibration-damping	4
80	8760.038	fuel filter support	1
81	2175.045	fuel filter cartridge	1
84	6590.076	injection pump	1
84	6590.364	injection pump (EPA-CE 97/98)	1
85	<----->	plate (no longer avail.)	0
86	4580.002	gasket 0,10	1
86	4580.009	gasket 0,50	1
86	4580.068	gasket 0,05	1
86	4580.193	gasket 0,30	1
87	1580.023	bushing	1
88	771R.001	washer diam. 5,3	1
89	9375.351	fuel hose (mm 190)	1
89a	9375.005	hose mm 235	1
90	2800.003	cotter pin	1
91	7270.104	banjo union diam.10	1
92	3587.103	el.valve (12V)on injection pump	1
93	1901.040	union bolt M 12	1
94	4670.060	copper gasket diam.12	2
95	9375.627	fuel hose	1

**Group: 12LD**  
**Engine: 12LD 475-2 Drawing: E**

**FUEL SYSTEM**

POS.	CODE	DESCRIPTION	Qty
98	2605.033	filter cover	1
99	1202.052	rubber oil seal	1
100	1760.076	bolt	1
101	3630.008	clamp	1
102	1901.032	union bolt M 14	1
103	4670.061	copper gasket diam.14	2
104	4850.009	guide	1
105	7980.020	cup	2
106	1415.006	injector rack	1
107	«-----»	sector (no longer avail.)	0
109	1901.030	union bolt M 10	1
110	7200.078	drive rod	1
111	4670.059	copper gasket diam.10	2
112	«-----»	sleeve (no longer avail.)	0
113	6230.069	pin	1
114	9375.276	fuel hose mm 430	1
114	9375.308	fuel pipe mm 2000	1
114	9375.721	fuel pipe mm 850	1
114	9375.859	fuel pipe mm 1000	1
115	9375.276	fuel hose mm 430	1
117	4670.059	copper gasket diam.10	4
124	2175.046	fuel filter cartridge	1
127	5625.002	spring	2
128	4670.061	copper gasket diam.14	2
129	1901.032	union bolt M 14	1
130	6230.068	pin	2
131	«-----»	spring retainer bottom - see Pos. E 84	0
132	7215.017	tappet	2
133	«-----»	roller (no longer avail.)	0
136	1200.087	O ring 3150	1
137	6780.008	stud M 8 X 20 (32)	2
138	9375.022	fuel hose(mm 2000)	1
138	9375.029	hose mm 800	1
138	9375.690	hose mm 220	1
138	9375.853	hose mm 1000	1
139	6585.079	feed pump	1
139	6585.084	feed pump in-out parallel	1
140	1901.030	union bolt M 10	1
141	4670.059	copper gasket diam.10	2
142	3240.164	nut M 8	2
143	9375.908	fuel hose	1
144	1901.030	union bolt M 10	2
145	1557.019	drilled block	2
146	1557.020	threaded block	2
147	3521.043	spacer	2
148	6780.016	stud M 8 X 28 (40)	2
149	3240.018	nut M 8	2
150	4700.103	gasket	1
151	7625.012	washer diam. 8,4	2
152	7565.007	washer diam. 8	2
153	8865.193	support	1
154	1770.056	bolt M 8 X 1,25 X 18	2
155	7565.007	washer diam. 8	2

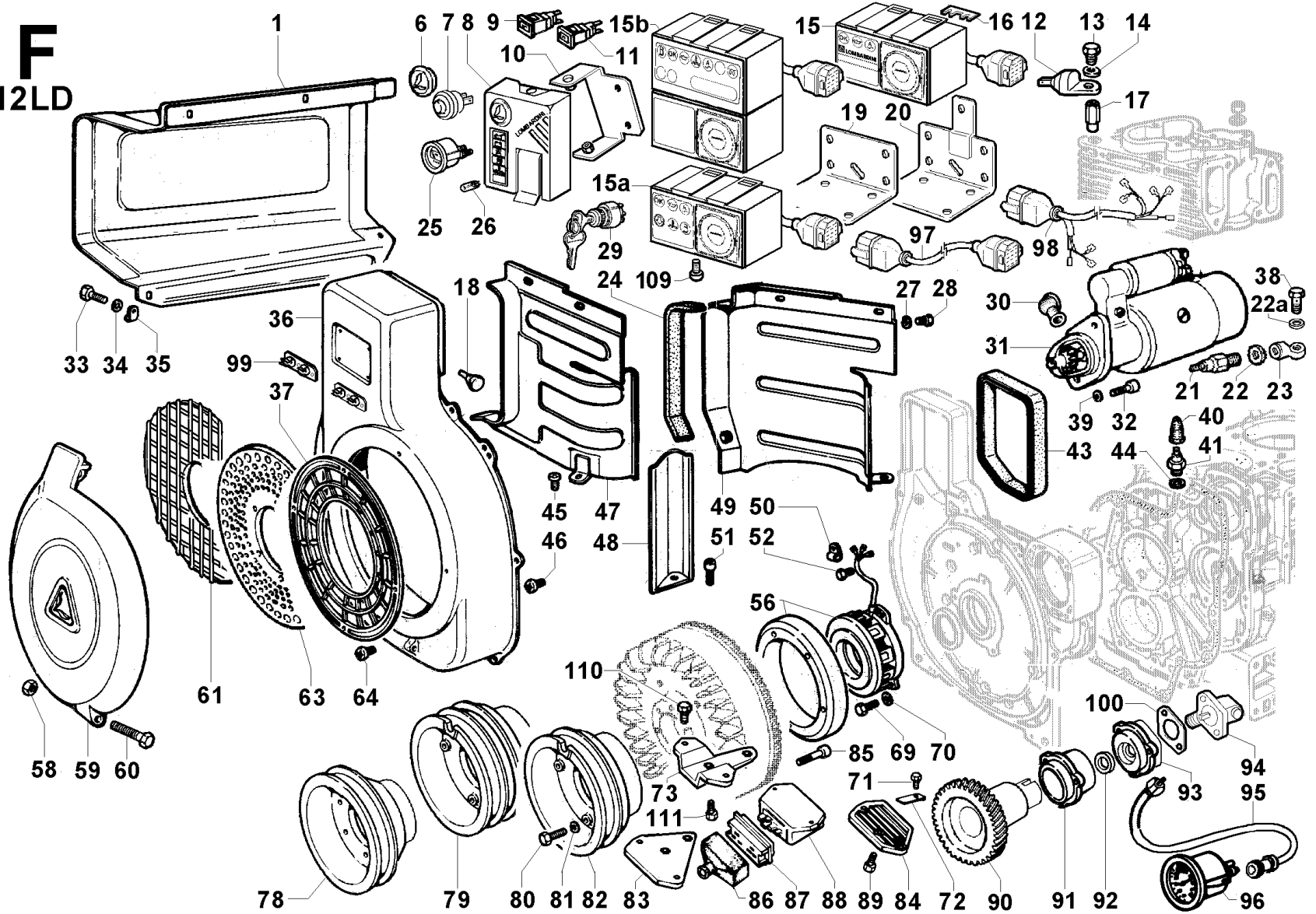
**Group: 12LD****Engine: 12LD 475-2 Drawing: E****FUEL SYSTEM**

POS.	CODE	DESCRIPTION	Qty
156	1901.029	union bolt M 8	1
157	1901.152	union bolt M 12 l=51	1
158	8866.092	tank support	1
160	5140.014	panel	1
161	8545.616	fuel filter support	1
162	9375.896	hose from feed pump to QSD device mm 340	1
163	9372.091	f.hose mm 314	1
163	9373.044	f.hose mm 235	1
164	8400.139	lockpin 5 x 29,8	2
165	9730.018	screw M 6 X 45	2
166	8545.793	bracket	2
167	9571.242	bleeding pipe (EPA version)	1
168	9571.214	bleeding pipe (mm 2000)	1
169	6615.098	NOZZLE-HOLDER (EPA)	2
170	6531.476	nozzle (EPA)	2
171	4670.107	copper gasket 0,50	2
171	4670.108	copper gasket 1,00	2
171	4670.109	copper gasket 1,50	2
171	4670.110	copper gasket 2,00	2
171	4670.111	copper gasket 2,50	2
172	5801.037	spring	1
173	8245.003	gov.ball diam. 4,8 3/16''	1
174	7555.029	washer diam. 8	2
175	7625.012	washer diam. 8,4	2
176	7565.007	washer diam. 8	2
177	3240.018	nut M 8	2





**F**  
12LD





Group: 12LD  
 Engine: 12LD 475-2 Drawing: F

**COOLING SYSTEM/STARTING**

POS.	CODE	DESCRIPTION	Qty
1	2920.104	denoised hood	1
6	«-----»	switch cover	0
7	7195.112	starting button	1
8	2900.110	dashboard 2 lights	1
9	«-----»	lampe-socket	0
10	8506.043	angle bracket	1
11	«-----»	lampe-socket	0
12	9195.104	head temperatur thermostat	1
13	1780.003	bolt M 10 X 1,5 X 18	1
14	7565.011	washer diam.10	1
15	7245.417	dashboard 3 warning lights	1
15a	7245.419	dashboard 6 warning lights (24V)	1
15b	7245.420	dashboard 6 warning lights (engine with glow plug)	1
16	4062.233	fuse 50 A (for one preheating glow plug)	1
16	4062.238	fuse 100 A (for two preheating glow plugs)	1
17	3300.227	elongated nut	1
18	3527.018	spacer	1
19	8506.118	dashb.suppl.	1
20	8506.119	dashb.suppl.	1
21	5040.098	pressure switch (M 14)	1
22	4670.061	copper gasket diam.14	1
22a	4670.058	copper gasket diam. 8,2X12X1,5	1
23	7330.083	union	1
24	4776.090	gasket	1
25	5450.009	oil manometer	1
26	5175.162	lamp 12V	2
27	7625.070	washer diam. 6	2
28	1760.003	bolt M 6 X 1 X 12	2
29	5041.020	key switch	1
30	6491.005	pipe elbow	1
31	5840.211	starting motor 24V	1
31	5840.223	starting motor 12 V 1,8 KW	1
32	9730.045	screw M 10 X 30	2
33	1770.002	bolt M 8 X 1,25 X 16	1
34	7565.007	washer diam. 8	1
35	3617.045	clamp	2
36	2569.194	shroud without denoised panel fitting	1
36	2569.203	shroud	1
37	6927.056	guard	1
38	1901.048	union bolt M 8	1
39	7565.011	washer diam.10	2
40	6491.013	pipe elbow	1
41	6745.050	oil switch 0,3 bar (M 12)	1
43	4776.089	gasket	1
44	4670.014	copper gasket diam.12	1
45	9790.039	screw M 6 X 12	7
47	5066.074	denoised airtight	1
48	3350.094	deflector	1
49	5066.070	denoised airtight	1
50	3617.021	clamp	1
51	9731.092	screw M 8 X 14	1
52	1760.003	bolt M 6 X 1 X 12	1
56	1157.154	volt.alternator 12V 14A - 3 wires	1

**Group: 12LD****Engine: 12LD 475-2 Drawing: F****COOLING SYSTEM/STARTING**

POS.	CODE	DESCRIPTION	Qty
56	1157.167	volt.alternator 12V 16A - 2 wires	1
58	3203.050	selflocking nut M 6	1
59	2670.049	pulley cover	1
60	1760.094	bolt M 6 X 1 X 100	1
61	6927.242	flywheel guard	1
63	5096.038	flywheel guard	1
64	9865.122	screw M 6 X 12	4
69	9731.022	screw M 5 X 20	4
70	«-----»	washer	0
71	1760.003	bolt M 6 X 1 X 12	1
72	3617.152	clamp	1
73	8300.052	voltage regulator support	1
80	1770.009	bolt M 8 X 1,25 X 35	4
81	7565.007	washer diam. 8	4
82	6961.061	start pulley	1
83	8300.049	voltage regulator support	1
84	8300.048	bracket	1
85	9732.078	screw M 6 X 25	5
86	2145.014	regulator cap	1
87	6740.153	inlet regul.Saprisa	1
87	6740.154	inlet regul.Ducati	1
88	7362.228	voltage regulator. 12V 14/21A-6 contacts for alternator 3 wires	1
88	7362.298	voltage regul.12 V max 30 A - 5 contacts for alt.2 wires	1
88	7362.314	volt.regulator 12V 30A fitted for electronic tachometer - 5+W c	1
89	9732.092	screw M 8 X 18	2
90	«-----»	see Pos. B 64	0
92	1213.173	seal ring 20X35X7	1
93	8903.102	ANGLE GEAR SUPPORT	1
94	7475.018	angle gear	1
95	9282.003	transmission mm 1500	1
96	2529.007	speed-hours indicator	1
97	2185.882	extension wire	1
97	2185.893	extension wire	1
98	2185.873	wiring harness for dashboard 6 warning lights	1
98	2185.891	wiring harness for dashboard 3 warning lights	1
99	6275.102	spring plate	1
100	4775.525	auxiliary hous.gasket	1
109	9730.325	screw M 5 X 10	4
110	9730.024	screw M 8 X 16	2
111	9732.074	screw M 8 X 20	2







Group: 12LD  
Engine: 12LD 475-2 Drawing: Z

**SHORT BLOCK**

POS.	CODE	DESCRIPTION	Qty
1	1560.309	short block	1

