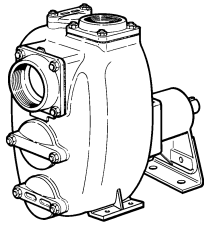
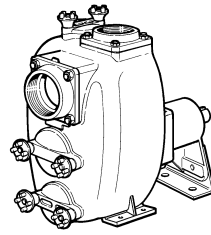


DISTINTA DELLE PARTI COSTITUENTI LE POMPE CENTRIFUGHE AUTOADESCANTI SERIE " J "

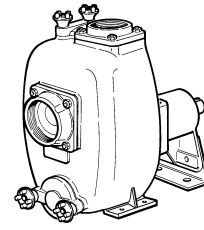
SPARE PARTS LIST FOR "J" SERIES SELF-PRIMING PUMPS



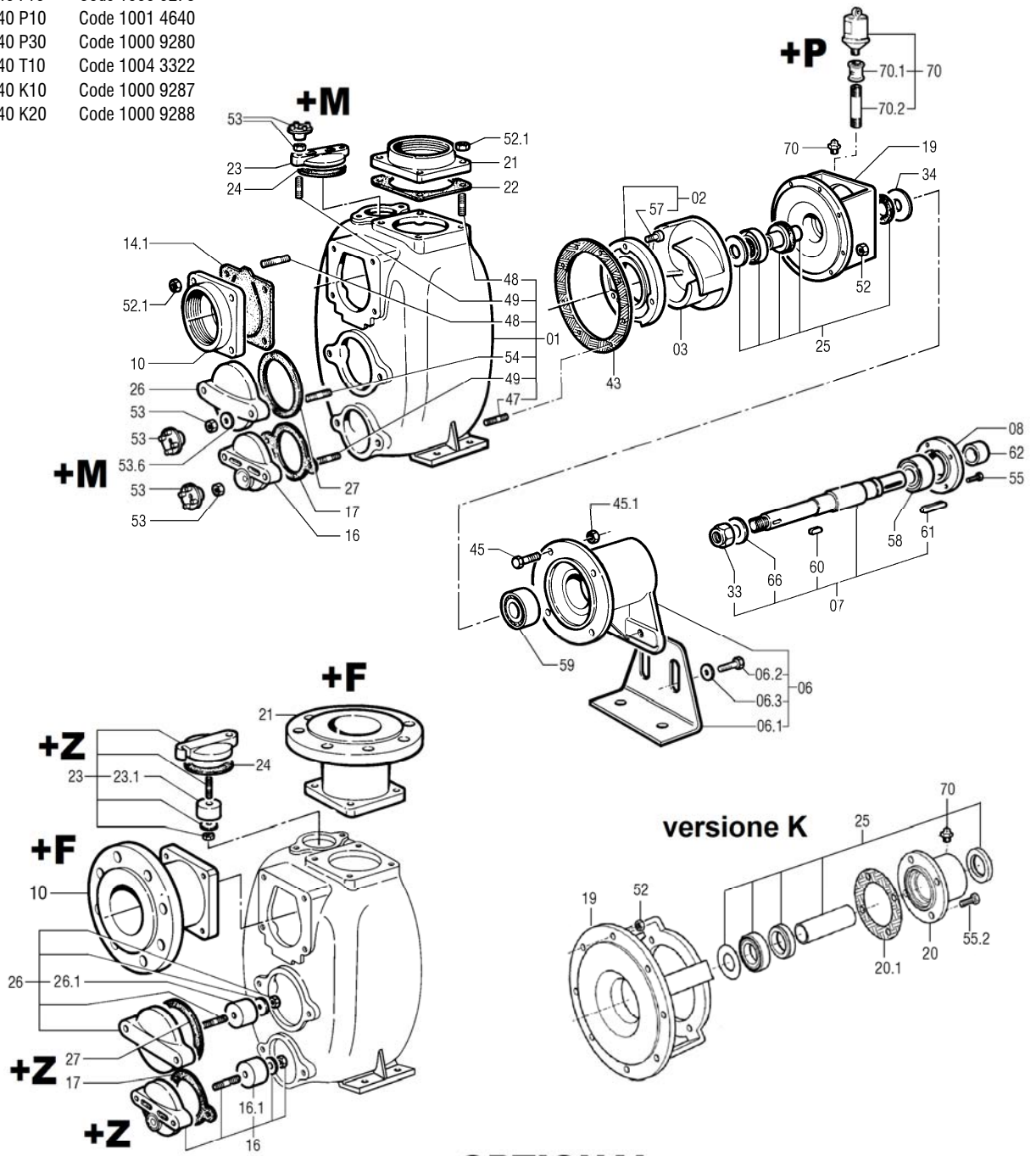
JS 3-140 G10 Code 1000 9276
 JS 3-140 G20 Code 1000 9277
 JS 3-140 F10 Code 1000 9278
 JS 3-140 P10 Code 1001 4640
 JS 3-140 P30 Code 1000 9280
 JS 3-140 T10 Code 1004 3322
 JS 3-140 K10 Code 1000 9287
 JS 3-140 K20 Code 1000 9288



JS 3-140 Q10 Code 1000 9279



JS 3-140 B10 Code 1000 9284



Rif. N° Pos. Nr.	Quant.	Denominazione	Part name	Den. Comm. Type	Mat. *	Codice Nuovo New Part. No.	JS 3-140	JS 3-140	JS 3-140	JS 3-140	JS 3-140	JS 3-140	JS 3-140	JS 3-140	JS 3-140	JS 3-140	JS 3-140				
							G10	G20	P10	P30	F10	Q10	B10	T10	K10	K20					
01	1	Corpo (1)	Casing (1)		G	1001 8199	○	○	○	○											
					G	1004 7062					○	○									
					G+QPQ	1004 7063															
					B	1002 1613											○				
					K	1003 0172														○	○
02	1	Piatto d' usura (2)	Wear plate (2)		GN	1000 8457	○														
					G	1000 8413		○	○												
					G+QPQ	1004 7064															
					B	1000 8391										○	○				
					K	1000 8466														○	○
03	1	Girante	Impeller		G	1000 5337	○	○	○	○											
					G+QPQ	1002 8058															
					B	1000 5227										○	○				
					K	1000 5413														○	○
06	1	Supporto	Bearing housing		G	1000 6873	○	○	○	○	○	○	○	○	○	○	○	○			
06.1	1	Piede supporto	Bearing housing foot		S	1000 6142	○	○	○	○	○	○	○	○	○	○	○	○			
06.2	2	Vite	Screw	M 12 x 30 DIN 933	S	1000 1960	○	○	○	○	○	○	○	○	○	○	○	○			
06.3	2	Rondella	Washer	M 12 DIN 125 A	S	1000 1699	○	○	○	○	○	○	○	○	○	○	○	○			
07	1	Albero (3)	Shaft (3)		S	1000 7593	○	○	○	○											
					K	1000 7604															
08	1	Copricuscinetto	Bearing cover		G	1000 4772	○	○	○	○	○	○	○	○	○	○	○	○			
10	1	Portavalvola	Suction flange	R 3"	G	1000 6422	○	○	○	○	○										
					OTS	1000 6399															
					K	1000 6455															
							+F	+F	+F	+F	+F	+F	+F	+F	+F	+F	+F	+F			
14.1	1	Valvola completa	Check valve ass.		NK	1000 9019	○														
					TK	1000 9021		○													
					VK	1000 9022															
16	1	Portina	Cover		S	1000 6473	○	○	○	○											
					OTS	1000 3749															
					K	1000 6503															
					SZ	1000 8502															
							+Z	+Z													
16.1	1	Placca zinco	Zinc anode				+Z	+Z													
17 (**)	2	Guarnizione	Gasket																		
19	1	Portamotore	Head		G	1000 6342	○														
					G	1000 6343		○													
					G+QPQ	1002 3624															
					B	1000 6287															
					K	1000 6371															
20	1	Portatenuta	Seal box		K	1000 6254															
20.1	1	Guarnizione	Gasket		E3	1000 5637															
21	1	Flangia mandata	Discharge flange	R 3"	G	1000 5090	○	○	○	○											
					OTS	1000 5070															
					K	1000 5113															
							+F	+F	+F	+F	+F	+F	+F	+F	+F	+F	+F	+F			
22 (**)	1	Guarnizione	Gasket																		
23	1	Portina	Cover		S	1000 6473	○	○	○	○											
					OTS	1000 3748															
					KL	1000 6502															
					SZ	1000 8502															
							+Z	+Z													
23.1	1	Placca zinco	Zinc anode				+Z	+Z													
25	1	Anello di tenuta	Mechanical seal ass.	T 30 YYN		1000 8894	○														
					T 30 YYT	1000 8991		○													
					T 30 GYV	1000 8896															
					T 30 YYV	1000 8895															
26	1	Portina	Cover		G	1000 6474	○	○	○	○											
					OTS	1000 3749															
					GZ	1000 8503															
							+Z	+Z													
26.1	1	Placca zinco	Zinc anode				+Z	+Z													
27 (**)	1	Guarnizione	Gasket																		
33	1	Dado girante	Impeller nut	M 18 x 1,5 UNI 7474	H	1000 1464	○	○	○	○											
					K	1000 1471															
34	1	Anello spartiacque	Water deflector	65x25,3x2	H	1000 4139	○	○	○	○											
43 (**)	1	Guarnizione corpo	Casing gasket																		
45	4	Vite	Screw	M 8 x 35 DIN 933	S	1000 1940	○	○	○	○											
					K	1000 2033															

Rif. N° Pos. Nr.	Quant.	Denominazione	Part name	Den. Comm. Type	Mat. *	Codice Nuovo New Part. No.	JS 3-140 G10	JS 3-140 G20	JS 3-140 P10	JS 3-140 P30	JS 3-140 F10	JS 3-140 Q10	JS 3-140 B10	JS 3-140 T10	JS 3-140 K10	JS 3-140 K20
45.1	4	Dado	Nut	M 8 DIN 934	S	1000 1420	○	○	○	○	○	○	○	○	○	○
					K	1000 1434										
47 (*)	8	Prigioniero	Stud	M 8x20 DIN 938	S		○	○	○	○	○	○	○	○	○	○
				M 8x18 DIN 938	K											
48 (*)	8	Prigioniero	Stud	M 10x20 DIN 938	S		○	○	○	○	○	○	○	○	○	○
				M 10x25 DIN 938	K											
49 (*)	4	Prigioniero	Stud	M 10x30 DIN 938	S		○	○	○	○						
				M 10x35 DIN 938	K						○	○				
				M 10x30 DIN 938	K						○				○	○
52 (*)	8	Dado	Nut	M 8 DIN 934	S		○	○	○	○						
					H						○	○	○		○	○
52.1(*)	8	Dado	Nut	M 10 DIN 934	S		○	○	○	○						
					H						○	○	○		○	○
53 (*)	6	Maniglietta	Wrench	M 10	OTS		+M	+M	+M	+M					+M	
	6	Dado	Nut	M 10 DIN 934	S		○	○	○	○						
	6	Dado	Nut	M 10 DIN 934	K						○					
	4	Dado	Nut	M 10 DIN 934	K											○
53.6(*)	2	Rondella	Washer	M 10 DIN 125 A	K						○					○
54 (*)	2	Prigioniero	Stud	M 10x30 DIN 938	S		○	○	○	○						
				M 10x35 DIN 938	K							○	○			
				M 10x30 DIN 938	K						○					
55	2	Vite	Screw	M 6x16 DIN 933	S	1000 1932	○	○	○	○	○	○	○	○	○	○
55.2	4	Vite	Screw	M 8x35 DIN 933	K	1000 2033										○
57 (*)	3	Vite	Screw	M 8x16 DIN 912	H		○	○	○	○						
					K						○	○	○		○	○
58	1	Cuscinetto	Ball bearing	6306-2RS		1000 1374	○	○	○	○	○	○	○	○	○	○
59	1	Cuscinetto	Ball bearing	62206-2RS		1000 1363	○	○	○	○	○	○	○	○	○	○
60	1	Linguetta	Key	8 x 7 x 20 DIN 6885A	K	1000 1621	○	○	○	○	○	○	○	○	○	○
61	1	Linguetta	Key	8 x 7 x 50 DIN 6885A	S	1000 1594	○	○	○	○	○	○	○	○	○	○
62	1	Ghiera	Sleeve	30 x 38 x 17	S	1000 4171	○	○	○	○	○	○	○	○	○	○
66	1	Rondella	Washer	M 18 DIN 125 A	H	1000 1712	○	○	○	○						
					K	1000 1711					○	○	○	○		○
70	1	Ingrassatore	Grease nipple	R 1/4"		1000 1662	○	○	○	○	○	○	○	○	○	○
	1	Cartuccia Perma	Perma cartridge				+P	+P	+P	+P	+P	+P	+P	+P	+P	+P
70.1	1	Manicotto	Union	R 1/4" M/F	S		+P	+P	+P	+P	+P	+P	+P	+P	+P	+P
70.2	1	Prolunga	Grease tube	1/4"	S		+P	+P	+P	+P	+P	+P	+P	+P	+P	+P
(*)		Serie viterie	Set of screw			1001 4363	○	○	○	○						
						1001 4126							○			
						1001 4129						○				
						1001 4153										
						1001 4370										○
(**)		Serie guarnizioni	Set of gaskets		N	1001 4364	○	○								
					V	1001 4367			○	○						○
					V	1002 7759						○				
					TE	1001 4362		○								
					N	1001 4368								○		
+F***		Kit flange	Kit flange	DN 80 PN16	G	1004 2784	○	○	○	○	○					
				DN 80 PN16	B	1004 2788						○	○			
				DN 80 PN16	K	1004 2791										○
				3" ASA150	G	1004 2819	○	○	○	○	○					
				3" ASA150	B	1004 2823						○	○			
				3" ASA150	K	1004 2827										○
+P***		Kit ingrassatore	Compl. Grease kit			1000 8316	○	○	○	○	○	○	○	○	○	○
+Z***		Kit portine	Set of couver		GZ	1001 4128	○	○								
+M***		Kit manigliette	Set of wrench		OTS	1004 2794	○	○	○	○						
***		Optional														

Note:		Notes:	
1) Completo di prigionieri (47, 48, 49, 50).		1) Complete with studs (47, 48, 49,50).	
2) Completo di viti (57).		2) Complete with screws (57).	
3) Completo di dado, rondella e linguette (33, 60, 61, 66)		3) Complete with nut, washer and keys (33, 60, 61, 66)	
* Materiali di costruzione		* Construction materials	
B	Bronzo	B	Bronze
E3	Centellen VS 3820	E3	Centellen VS 3820
G	Ghisa	G	Cast iron
G+QPQ	Ghisa + trattamento QPQ	G+QPQ	Cast iron+ Quench Polish Quench
H	Acciaio inox AISI 304	H	AISI 304 stainless steel
K	Acciaio inox AISI 316	K	AISI 316 stainless steel
KL	Acciaio inox AISI 316L	KL	AISI 316L stainless steel
OTS	Ottone	OTS	Brass
S	Acciaio	S	Steel
TE	Teflon	TE	Teflon
V	Viton	V	Viton
Z	Zinco	Z	Zinc
Ordinare il materiale indicando sempre la quantità, la denominazione, il codice del pezzo, il tipo e il numero della pompa.		When ordering spares always indicate: quantity, part name and part number, type and serial number of pump.	