

---

# ED4A03G0

---

## Spare Parts Catalogue

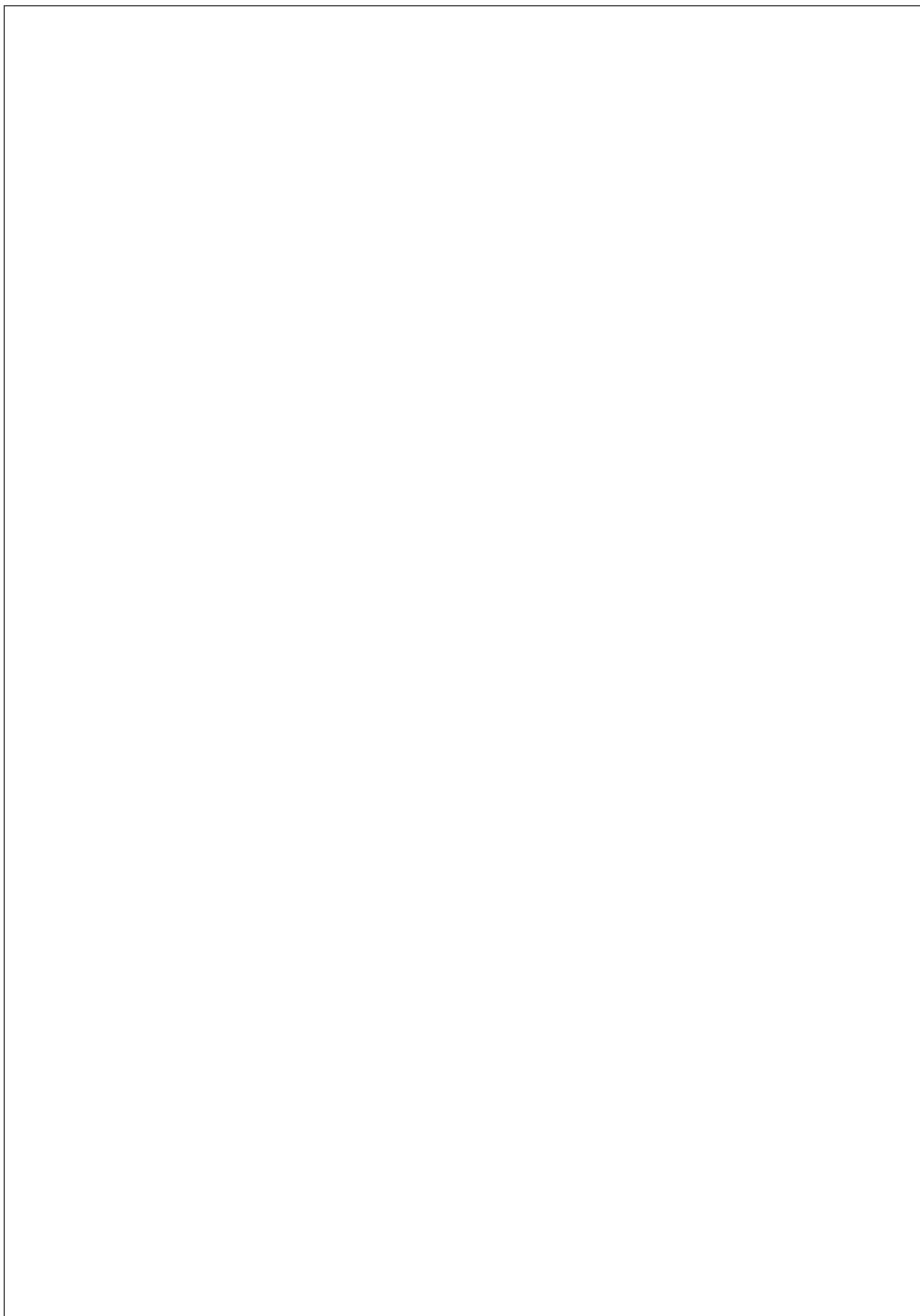
---



# 11LD626-3

**Update Date 10/03/2016**

Print Date 15/03/2016



## Tavola ricambi

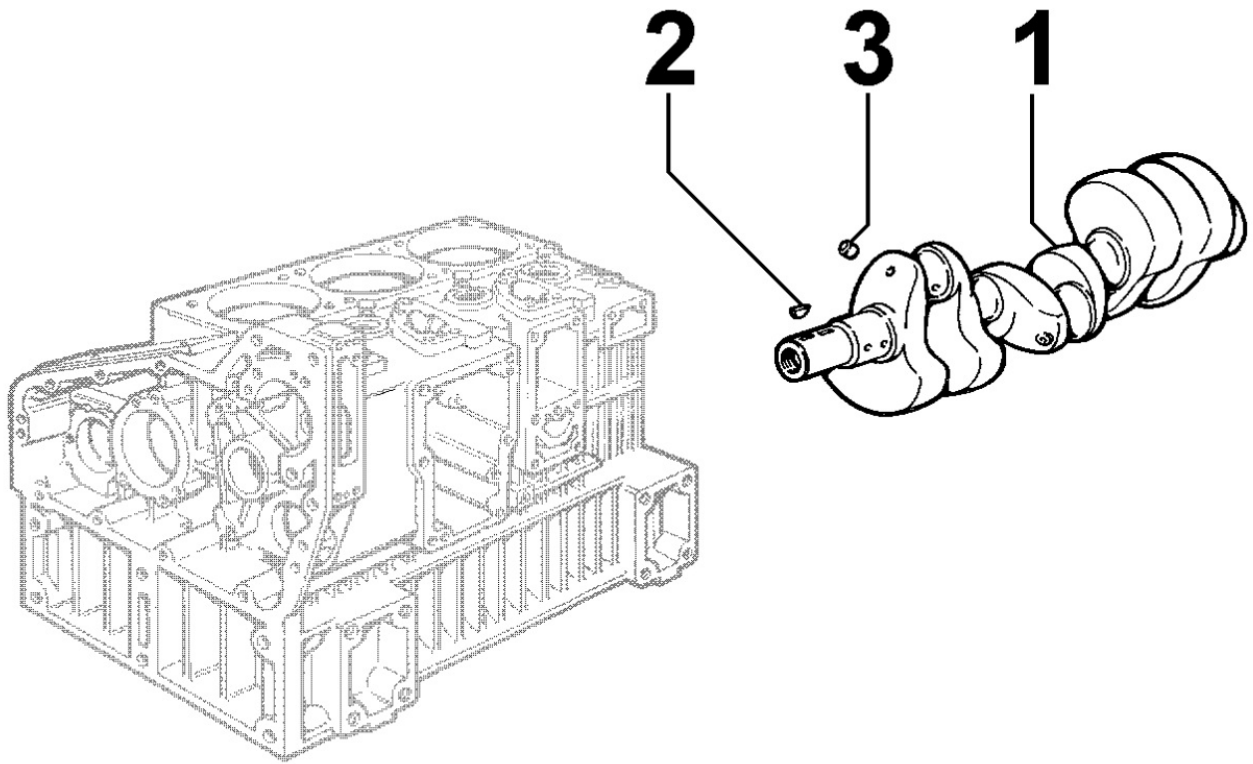
Index	Description
8010110030	CRANKSHAFT
8011110040	PISTON / CONNECTING ROD
8012110010	FLYWHEEL
8014110010	PULLEYS / BELT
8020110020	CRANKCASE
8021110090	CYLINDER HEAD
8022110010	HEAD COVER
8023110020	FLYWHEEL SIDE SUPPORT
8024110010	CRANKCASE COVER
8025110020	ENGINE MOUNTS
8026110010	CRANKSHAFT CENTRAL SUPPORT
8027110020	TIMING SYSTEM CLOSURE PLATE
8030110140	INJECTION SYSTEM
8035110040	CAMSHAFT
8036110010	ROCKER ARMS / VALVES
8038110010	TIMING GEAR
8040110010	OIL PUMP
8041110010	OIL PAN
8042110160	OIL FILTER
8043110010	OIL DIPSTICK
8045110120	BREATHER SYSTEM
8050110020	SPEED GOVERNOR
8051110200	CONTROLS
8061110020	FUEL FILTER
8062110050	FUEL FEED PUMP
8063110070	FUEL TANK
8064110530	FUEL PIPING
8070110010	AIR SHROUD
8071110030	COOLING FAN
8072110020	COOLING PLATES
8078110040	OIL RADIATOR / OIL COOLER
8080110190	AIR INLET MANIFOLD / AIR FILTER
8081110100	AIR CLEANER
8082110040	AIR INLET ACCESORIES
8085110020	EXHAUST GAS MANIFOLD
8086110170	EXHAUST MUFFLER




**Tavola ricambi**

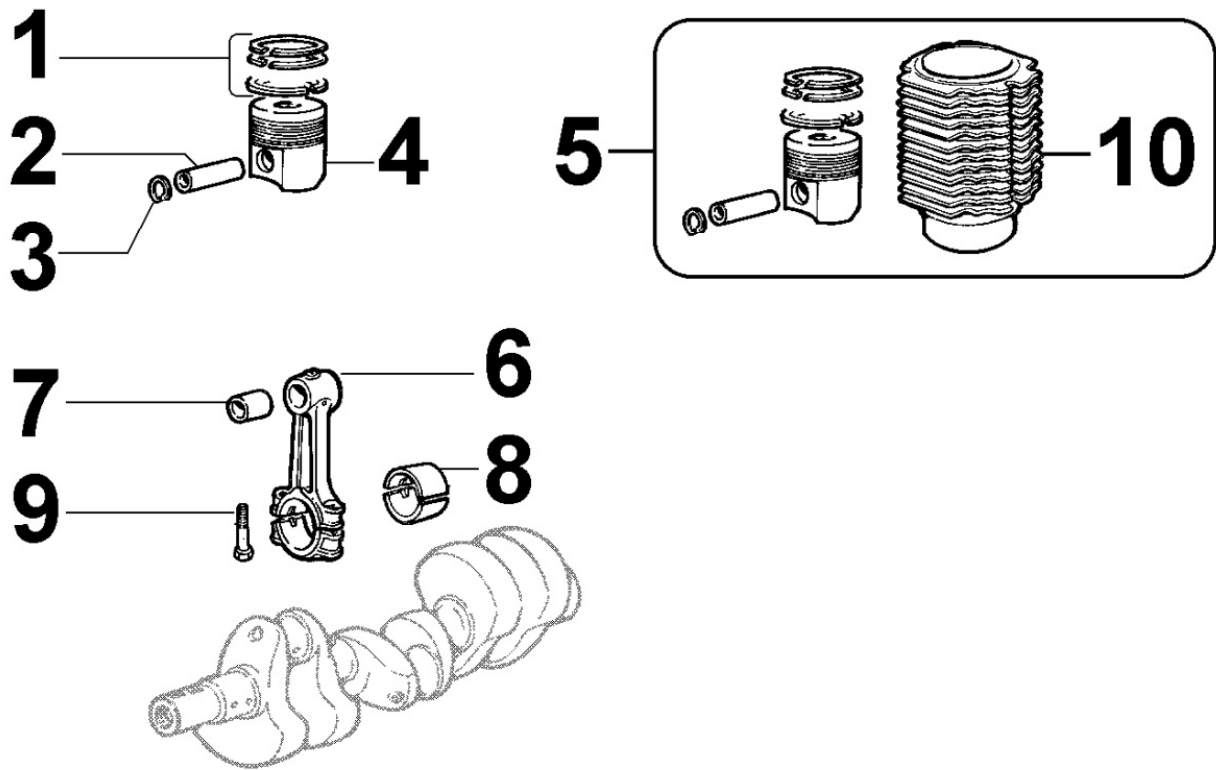
<b>Index</b>	<b>Description</b>
<b>8100110030</b>	<b>VOLTAGE ALTERNATOR</b>
<b>8101110020</b>	<b>STARTING MOTOR</b>
<b>8102110020</b>	<b>OIL PRESSURE SWITCH</b>
<b>8106110050</b>	<b>GLOW PLUGS / CONTROL UNIT</b>
<b>8140110080</b>	<b>HYDRAULIC PUMP ADAPTER ON 3rd PTO</b>
<b>8145110030</b>	<b>PUMP HOUSING</b>
<b>8160110020</b>	<b>ENGINE BELL / BACKPLATE</b>
<b>8161110100</b>	<b>CLUTCH BELL / CLUTCH SUPPORT</b>
<b>8171110030</b>	<b>BELT GUARD</b>
<b>8176110010</b>	<b>MUFFLER GUARD</b>
<b>8198110180</b>	<b>SPECIAL DETACHED COMPONENTS</b>

**8010110030 - CRANKSHAFT**



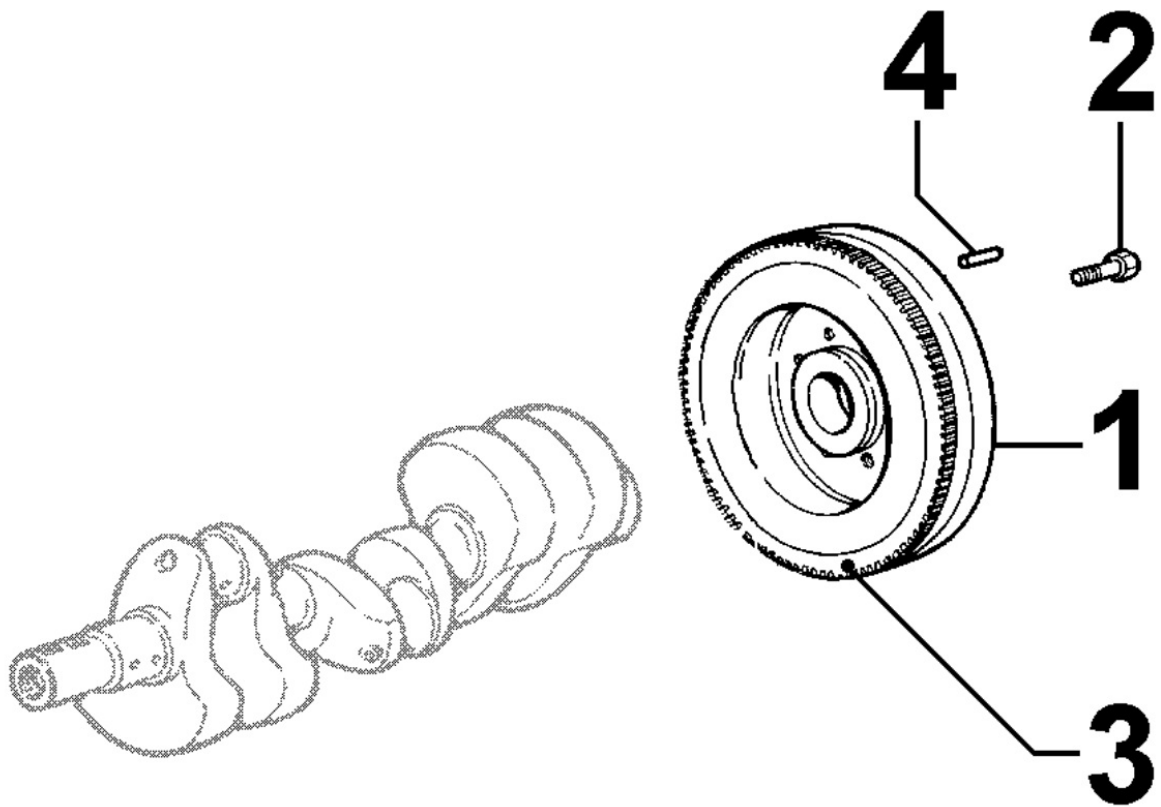
Pos	Kit	Included In	Code	Description	Qty	Old Code	Tech. Info
1	(A)		ED0010509460-S	CRANKSHAFT	1		
2		(A)	ED0022800560-S	KEY	2		

8011110040 - PISTON / CONNECTING ROD



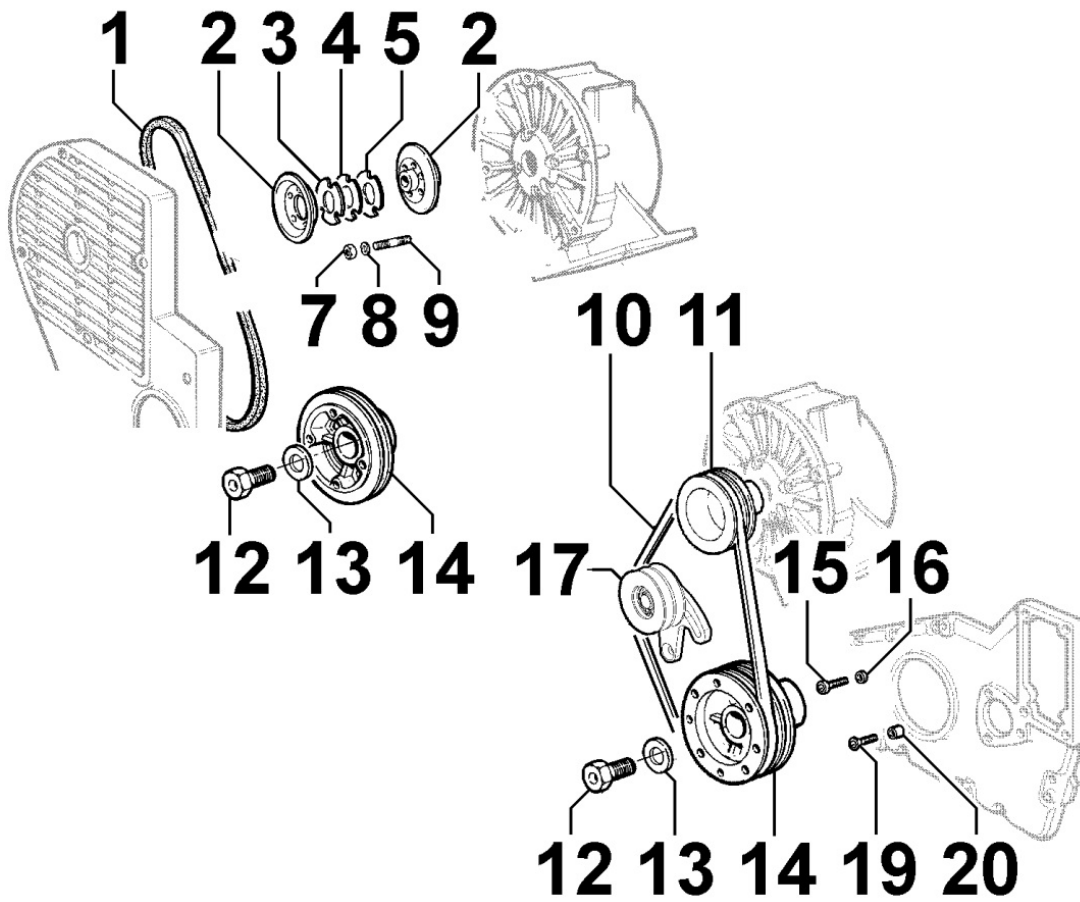
Pos	Kit	Included In	Code	Description	Qty	Old Code	Tech. Info
1		(A)	ED0082112090-S	RINGS STAND.	3		
2		(A) (B)	ED0084800290-S	PISTON PIN	3		
3		(A)	ED0012400220-S	SNAP RING	6		
4	(A)		ED0065017530-S	PISTON STD.	3		
5	(B)		ED0048980650-S	GR.PIST-CIL./ASS.Y D	3		
6	(D)		ED0015261110-S	CONNECTING ROD	3		
7		(D)	ED0016300140-S	S.ENDBRNG	1		
8			ED0016400590-S	BEARING STD	3		
8			ED0016400600-S	BEAR.-0.25	3		
8			ED0016400610-S	BEAR.-0.50 =<>	3		
9		(D)	ED0017701090-S	BOLT	2		
10		(B)		802011...0	3		

8012110010 - FLYWHEEL



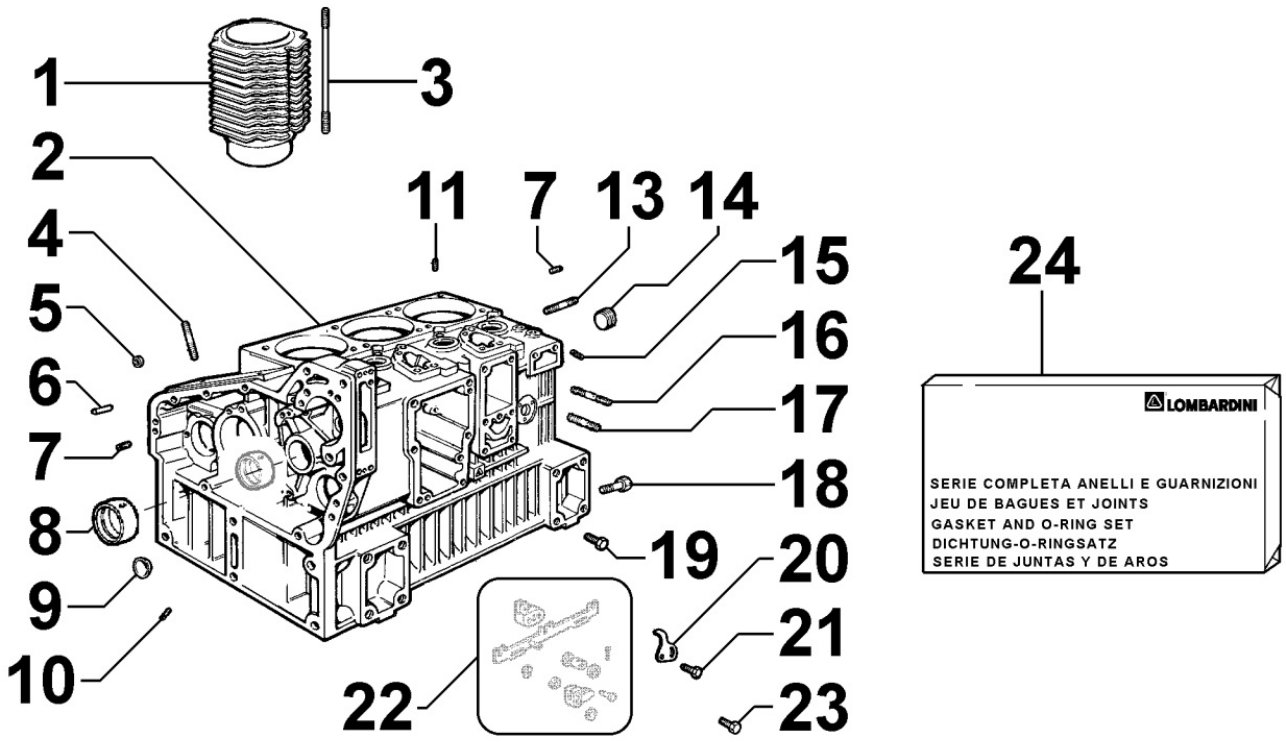
Pos	Kit	Included In	Code	Description	Qty	Old Code	Tech. Info
1	(A)		ED0098801670-S	FLYWHEEL	1		
2			ED0018620730-S	BOLT	6		
3		(A)	ED0028160450-S	RING GEAR	1		

8014110010 - PULLEYS / BELT



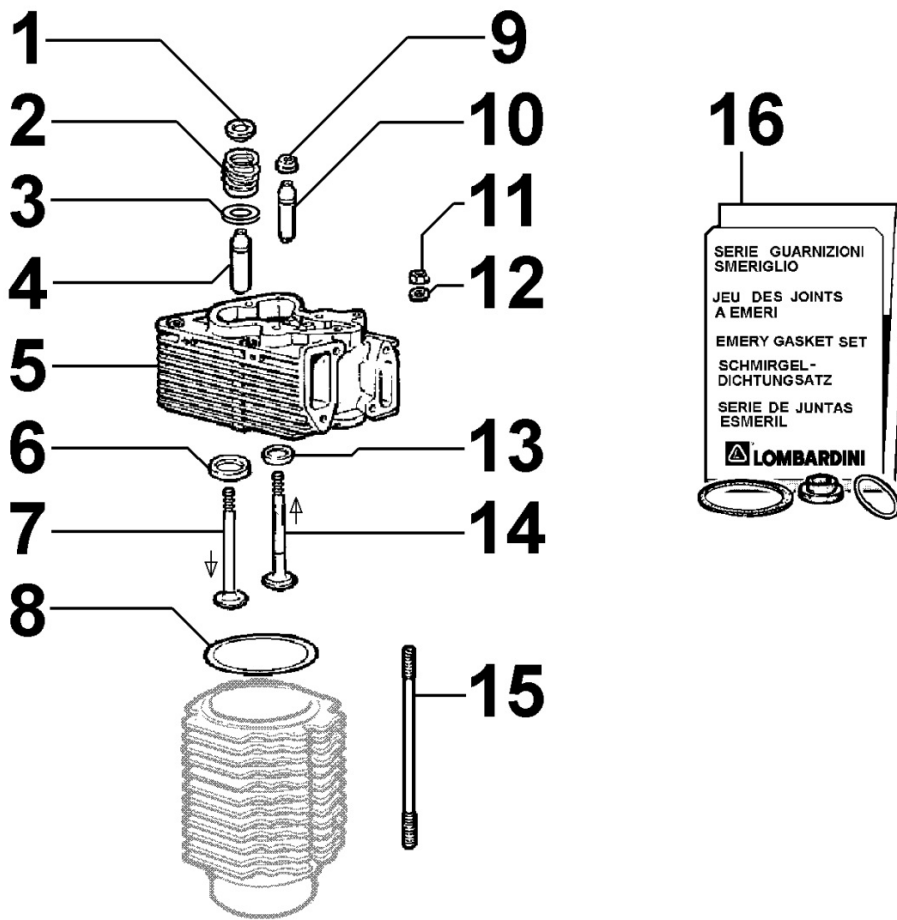
Pos	Kit	Included In	Code	Description	Qty	Old Code	Tech. Info
1			ED0024403580-S	VEEBELT	1		
2	(A)		ED0069751340-S	DR.PULLEY	1		
3		(A)	ED0063200340-S	PLATE	1		
4		(A)	ED0063200350-S	PLATE	1		
5		(A)	ED0063200360-S	PLATE	1		
7			ED0032400080-S	HEX.NUT	3		
9		(A)	ED0067600470-S	STUD	3		
12			ED0018050250-S	BOLT	1		
13			ED0076252650-S	/WASHER 17X50X10	1		
14			ED0069751150-S	PULLEY	1		

8020110020 - CRANKCASE





Pos	Kit	Included In	Code	Description	Qty	Old Code	Tech. Info
1			ED0023805460-S	CYLINDER	3		
2	(A)		ED0015102720-S	CRANKCASE	1		
3		(A)		802111...0	1		
4		(A)		807111...0	1		
5		(A)		814011...0	1		
6		(A)	ED0084600550-S	PIN	4		
7		(A)	ED0089650970-S	CAP M14x1,5	2		
8			ED0016000620-S	BEARING STD.	1		
9		(A)	ED0089900220-S	CAP	1		
10		(A)	ED0089900520-S	TAPPO/PLUG N 10	5		
11		(A)	ED0090801820-S	SCREW	3		
13		(A)		816011...0	1		
14		(A)	ED0089650360-S	CAP	1		
15		(A)	ED0097651140-S	PLUG FOR 11-LD	1		
16		(A)		806211...0	1		
17		(A)		806211...0	1		
18		(A)		802311...0	1		
19		(A)		803011...0	1		
20		(A)		803011...0	1		
21		(A)		803011...0	1		
22		(A)		803011...0	1		
23		(A)		803011...0	1		
24			ED0082051010-S	GASK.+O.R.SET	1		

8021110090 - CYLINDER HEAD

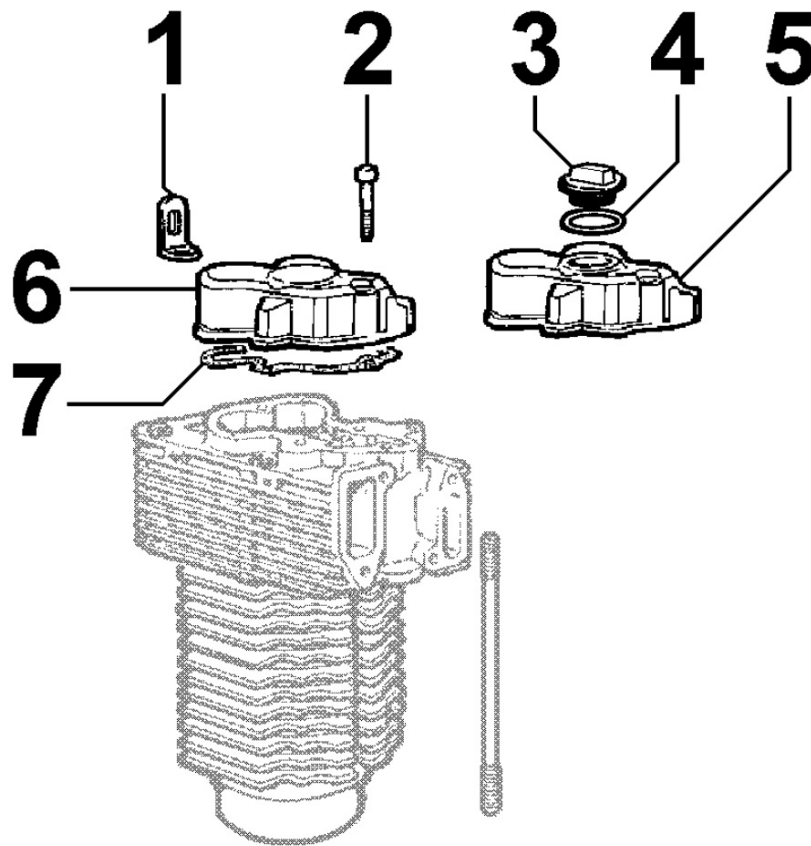


Pos	Kit	Included In	Code	Description	Qty	Old Code	Tech. Info
1		(A)	ED0064101120-S	CAP	12	ED0080570180-S	▲
2		(A)	ED0057551730-S	SPRING	2		▲
3		(A)	ED0034300670-S	DISK	2		
4		(A)	ED0048452470-S	GUIDE	1		▲
5	(A)		ED0092012810-S	CYLINDER HEAD ASSY	3		
6		(A)	ED0080002120-S	VALVE SEAT	1		▲
7		(A)	ED0096521530-S	INTAKE VALVE	1		▲
8			ED0047300840-S	HEAD GASKET 0.60	3		
8			ED0047300850-S	GASKET	3		
8			ED0047300860-S	HEAD GASKET 0.80	3		
8			ED0047300870-S	HEAD GASKET 0.90	3		
8			ED0047300880-S	HEAD GASKET 1.00	3		
8			ED0047301930-S	HEAD GASKET 0.65	3		
8			ED0047301940-S	HEAD GASKET 0.75	3		
8			ED0047301950-S	HEAD GASKET 0.85	3		
8			ED0047301960-S	HEAD GASKET 0.95	3		
8			ED0047303190-S	HEAD GASKET 1.10	1		
8			ED0047303200-S	HEAD GASKET 1.15	1		
8			ED0047303490-S	HEAD GASKET 0.45	3		
9		(A)	ED0012133380-S	SEAL RING	2		▲
10		(A)	ED0048452480-S	GUIDE	1		▲
11			ED0032401240-S	HEX.NUT	12		
12			ED0076251250-S	WASHER	12		
13		(A)	ED0080002130-S	VALVE SEAT	1		▲
14		(A)	ED0096851460-S	EXH.VALVE	1		▲

Pos	Kit	Included In	Code	Description	Qty	Old Code	Tech. Info
14		(A)	ED0096851460-S	EXH.VALVE	1		
15			ED0068501030-S	STUD	12		
16			ED0081850260-S	SET	1		

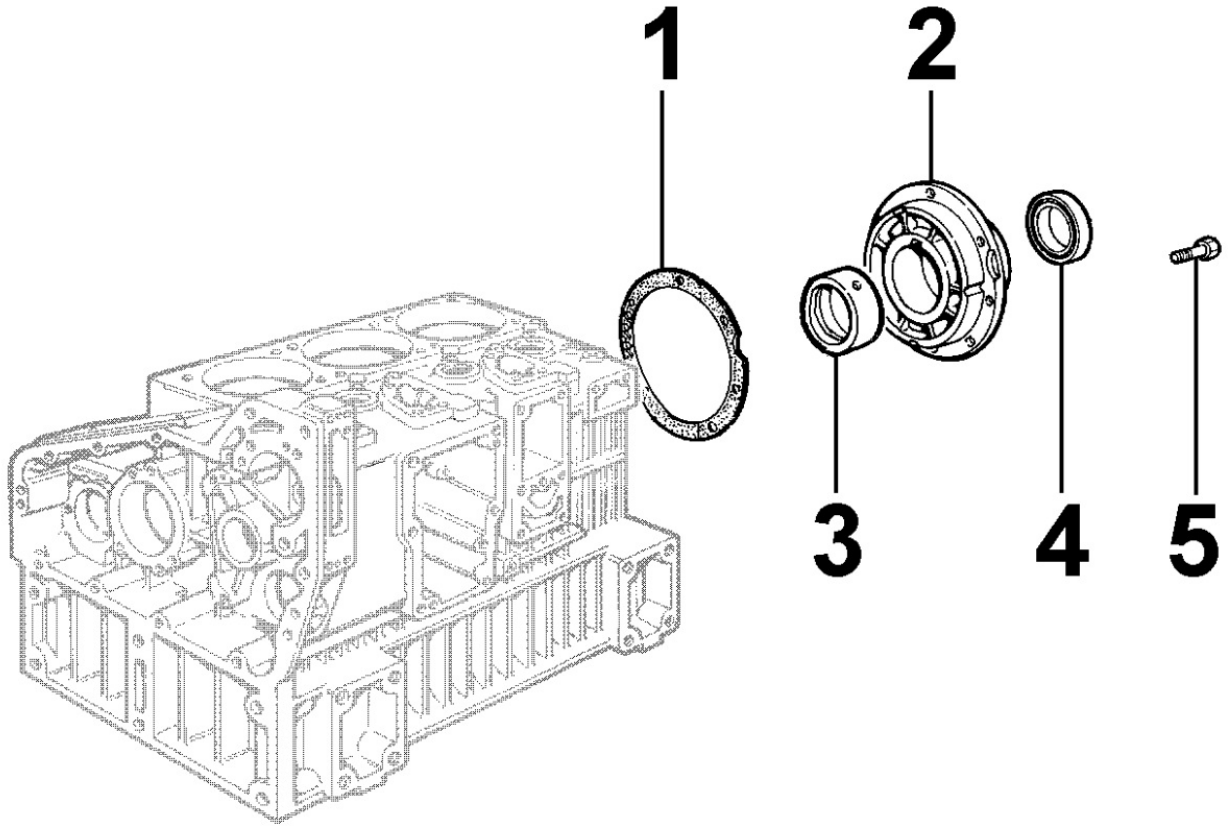


8022110010 - HEAD COVER



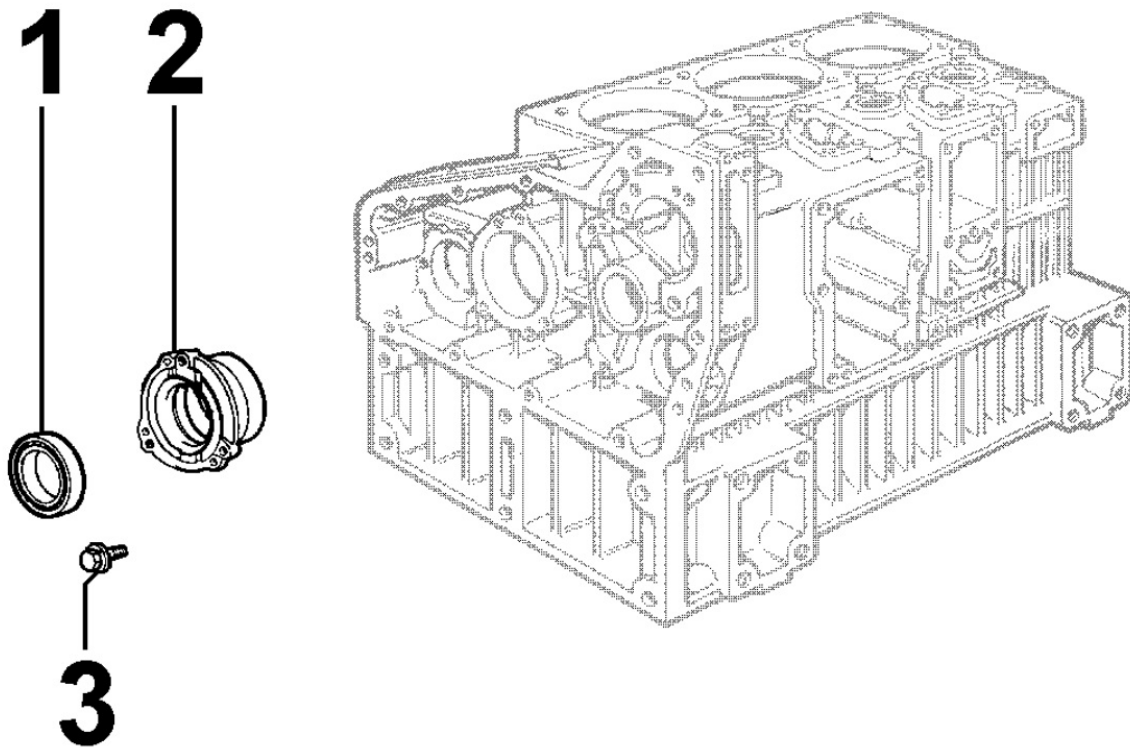
Pos	Kit	Included In	Code	Description	Qty	Old Code	Tech. Info
1			ED0085060030-S	AN.BRACKET	3		
2			ED0097320750-S	SCREW	6		
3			ED0090320790-S	FILLERPL.	1		▲
4			ED0012000150-S	O RING	1		▲
5			ED0021253380-S	COVER	1		▲
6			ED0021253390-S	COVER	2		▲
7			ED0044000610-S	GASKET	5		

8023110020 - FLYWHEEL SIDE SUPPORT



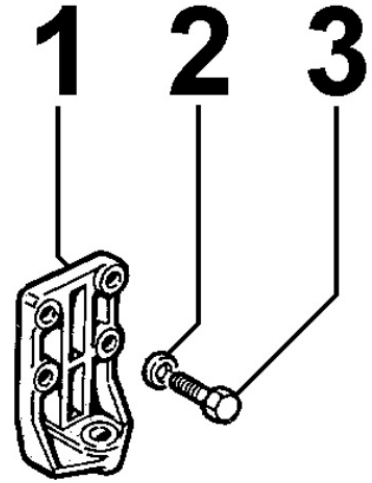
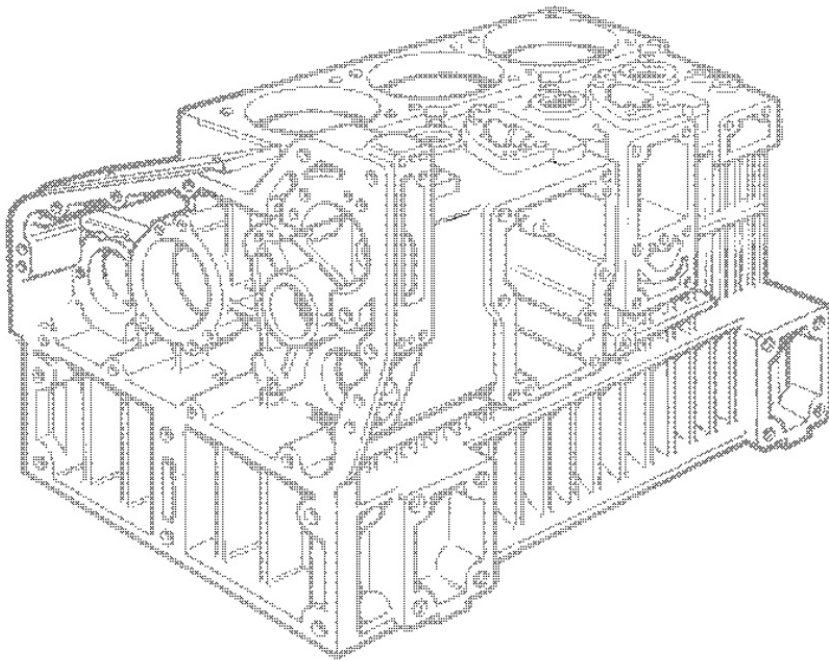
Pos	Kit	Included In	Code	Description	Qty	Old Code	Tech. Info
1			ED0047011120-S	GASKET	1		
2	(A)		ED0086752930-S	SUPPORT	1		
3			ED0016110890-S	BEAR.STAND.	1		
3			ED0016110900-S	BEAR.-0.25	1		
3			ED0016110910-S	BEAR.-0.50	1		
4		(A)	ED0012133490-S	SEAL RING	1		⚠
5			ED0017701560-S	BOLT	7		

**8024110010 - CRANKCASE COVER**



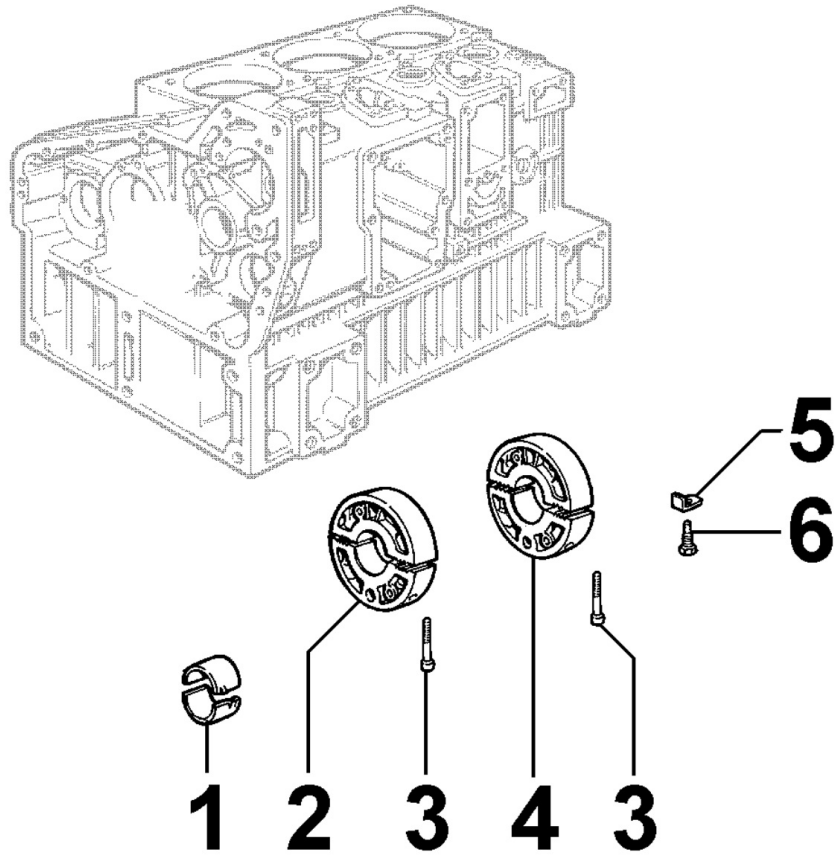
Pos	Kit	Included In	Code	Description	Qty	Old Code	Tech. Info
1			ED0012133510-S	SEAL RING	1		
2			ED0086751080-S	SUPPORT-0.25	1	ED0016110870-S	
2			KDISC.		1	ED0016110880-S	
2			ED0086760770-S	SUPPORT STD.	1		
3			ED0017701560-S	BOLT	3		

**8025110020 - ENGINE MOUNTS**



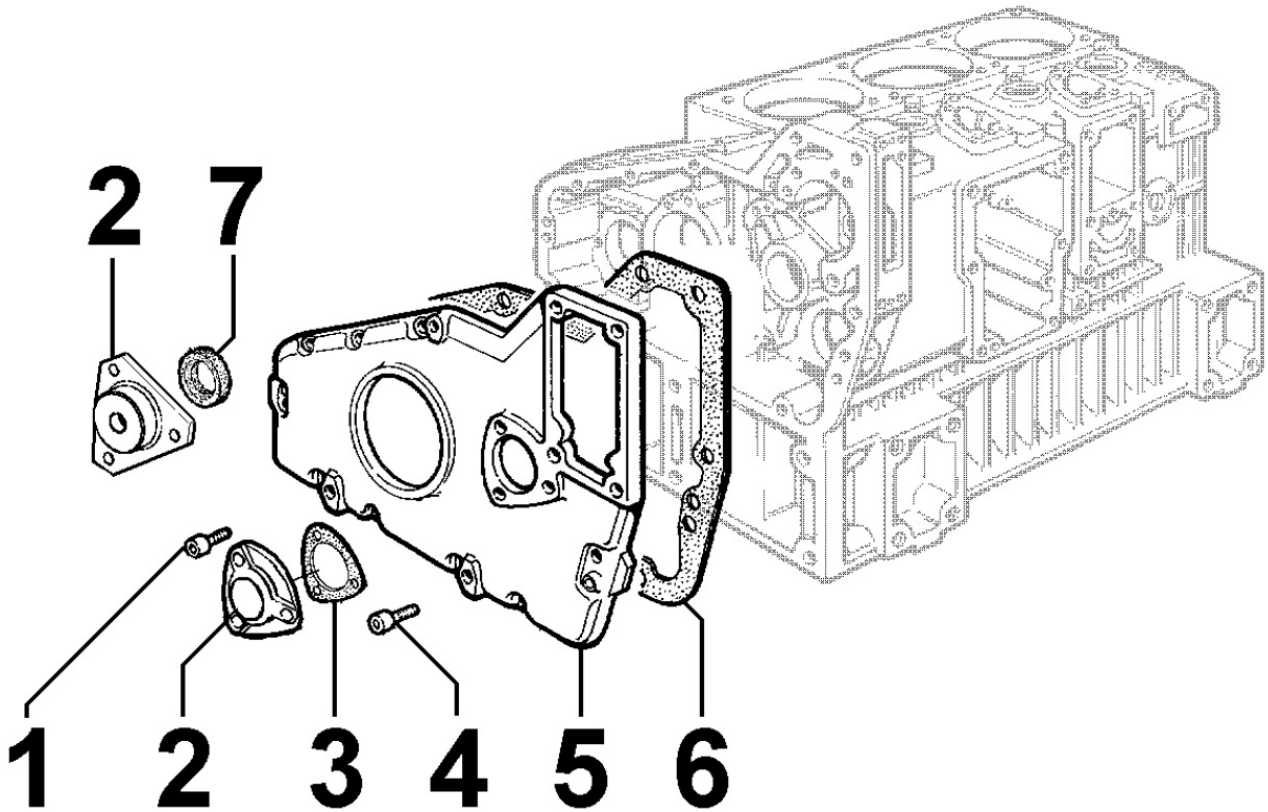
Pos	Kit	Included In	Code	Description	Qty	Old Code	Tech. Info
2			ED0076250200-S	WASHER	8		
3			ED0017800040-S	BOLT	8		

**8026110010 - CRANKSHAFT CENTRAL SUPPORT**



Pos	Kit	Included In	Code	Description	Qty	Old Code	Tech. Info
1			ED0016110820-S	BEAR.STAND.	2		
1			ED0016110830-S	BEAR.-0.25	2		
1			ED0016110840-S	BEAR.-0.50	2		
2	(A)		ED0086760810-S	SUPPORT	1		
3		(A)	ED0097300340-S	CAPSCREW	2		
4	(A)		ED0086760800-S	SUPPORT	1		
5			ED0051110690-S	RETAINER	2		
6			ED0018621440-S	BOLT	2		

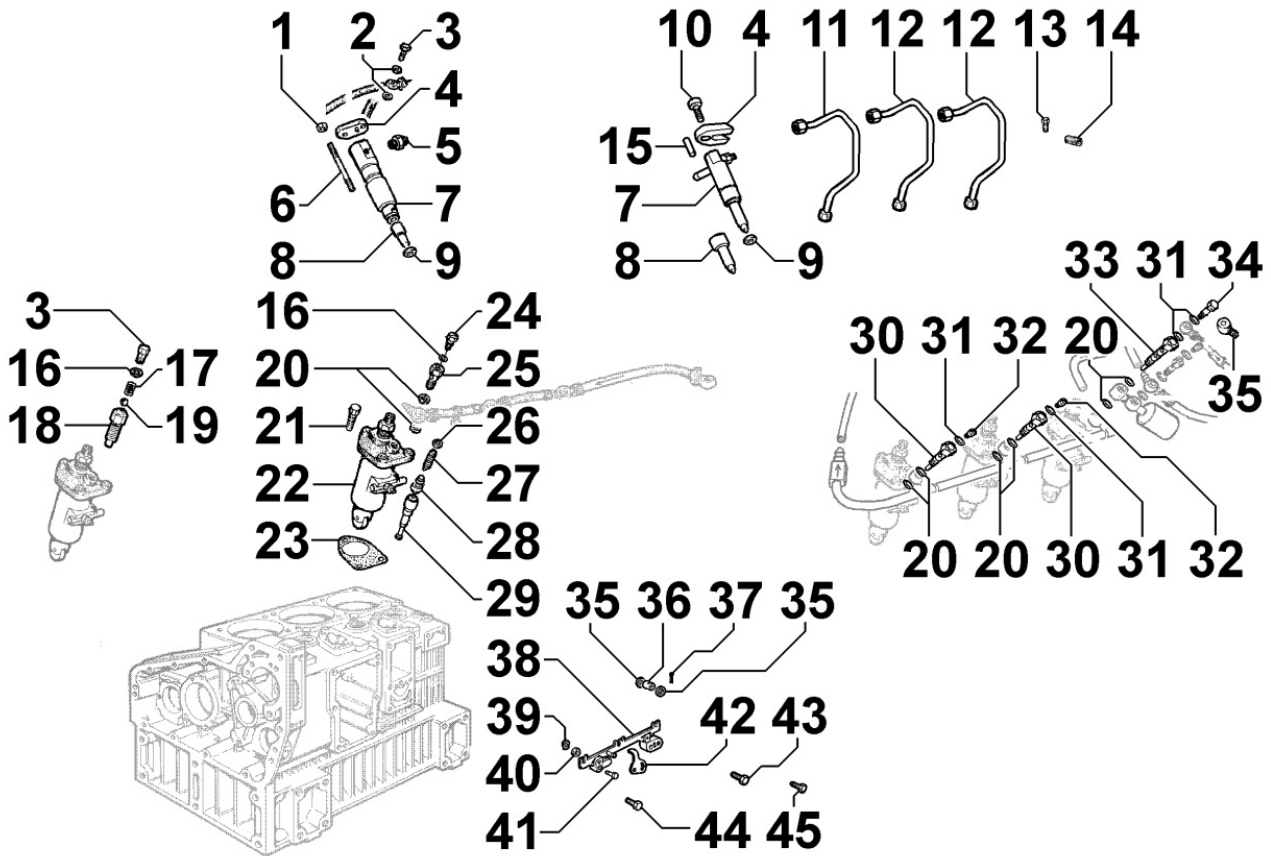
8027110020 - TIMING SYSTEM CLOSURE PLATE






Pos	Kit	Included In	Code	Description	Qty	Old Code	Tech. Info
1			ED0097301070-S	SCREW	3		
2			ED0026150400-S	HOLE COVER	1		
3			ED0044311460-S	GASKET	1		
4			ED0097320740-S	CAPSCREW	9		
5			ED0066470600-S	DISTRIBUTION SIDE SUPPORT	1		
6			ED0046010440-S	GASKET	1		



8030110140 - INJECTION SYSTEM

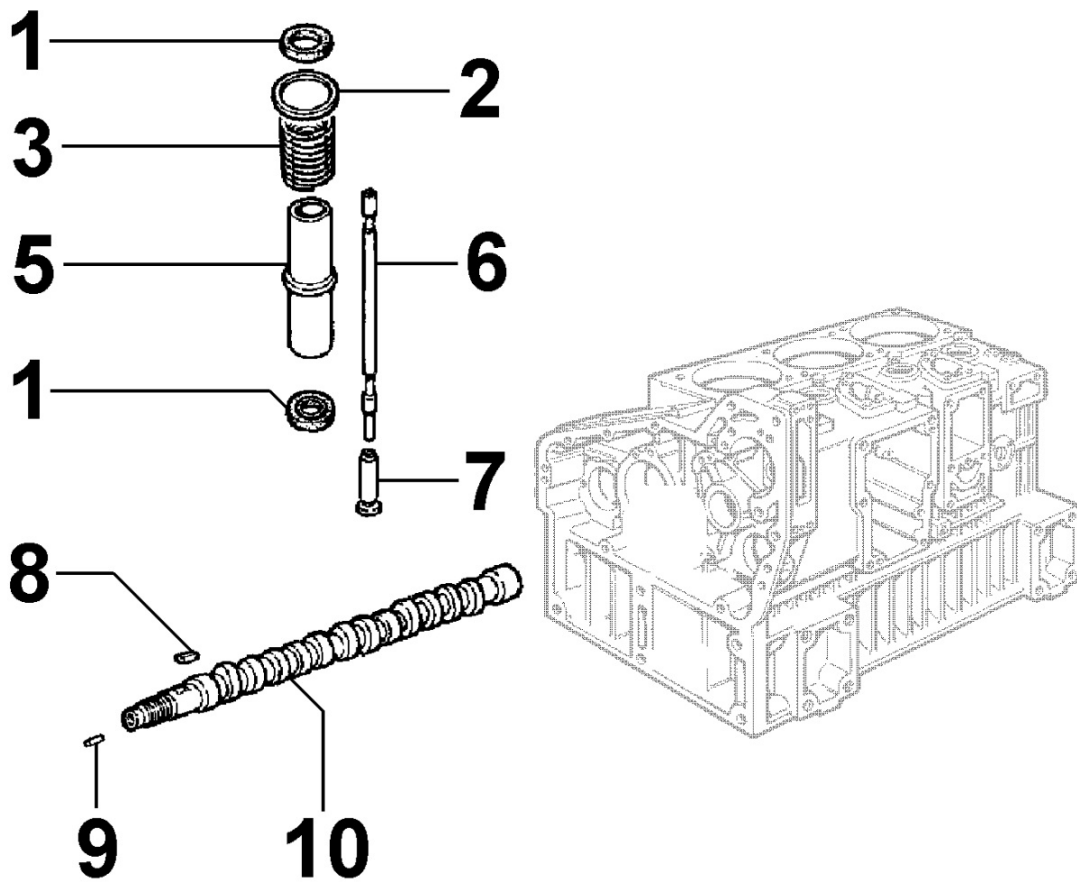


Pos	Kit	Included In	Code	Description	Qty	Old Code	Tech. Info
4			ED0085460790-S	INJECTOR SUPPORT BRACKET	3	ED0085457930-S	
7	(D)		ED0066151040-S	NOZZLEHL.	3		
8		(D)	ED0065315070-S	NOZZLE	1		
9			ED0046701090-S	GASKET	1		
9			ED0046701100-S	GASKET 2.0	3		
9			ED0046701110-S	GASKET 2.5	1		
9			ED00754R0590-S	WASHER	1		
9			ED00754R0600-S	WASHER	3		
10			ED0097300180-S	ALLEN SCREW	3		
11			ED0093760130-S	TUBE	1		
12			ED0093760530-S	FUEL TUBE	2		
13			ED0017702270-S	CAPSCREW M5X10	3		
14			ED0036172550-S	CLAMP	3		
15			ED0084001390-S	PARAL.PIN	3		
16			ED0046700010-S	GASKET	3		
20			ED0046700600-S	C.GASKET	6		
21			ED0017701990-S	VITE/SCREW	10		
22	(B)		ED0065903720-S	INJ.PUMP	3		⚠
22	(B)		ED0065903730-S	USE ED0065903720-S INJ. PUMP	3		⚠
23			ED0045800010-S	GASKET	9		
23			ED0045800080-S	GASKET	3		
23			ED0045800120-S	GASKET	2		
23			ED0045800390-S	GASKET	2		
24			ED0019011710-S	SCREW	3		
25			ED0019010310-S	UNION BOLT	3		
26		(B)	ED0074700030-S	FILLER	1		⚠
27		(B)	ED0057550340-S	SPRING	1		⚠

Pos	Kit	Included In	Code	Description	Qty	Old Code	Tech. Info
27		(B)	ED0057550340-S	SPRING	1		
28		(B)	ED0096720120-S	DELI.VALVE	1		
29		(B)	ED0065782000-S	INJ.PLUNGER	1		
35		(A)	ED00771R0010-S	WASHER	2		
36		(A)	ED0015800230-S	BUSHING	1		
37		(A)	ED0028000030-S	COTTER PIN	1		
38	(A)		ED0013800240-S	UNIONLINK	1		
39		(A)	ED0011650010-S	CIRCLIP	2		
40		(A)	ED0019710440-S	SLEEVE	2		
41		(A)	ED0062100310-S	PIN	2		
42			ED0062751010-S	PLATE	1		
43			ED0017601380-S	BOLT	1		
44			ED0017601310-S	BOLT	1		
45			ED0017601300-S	BOLT	1		

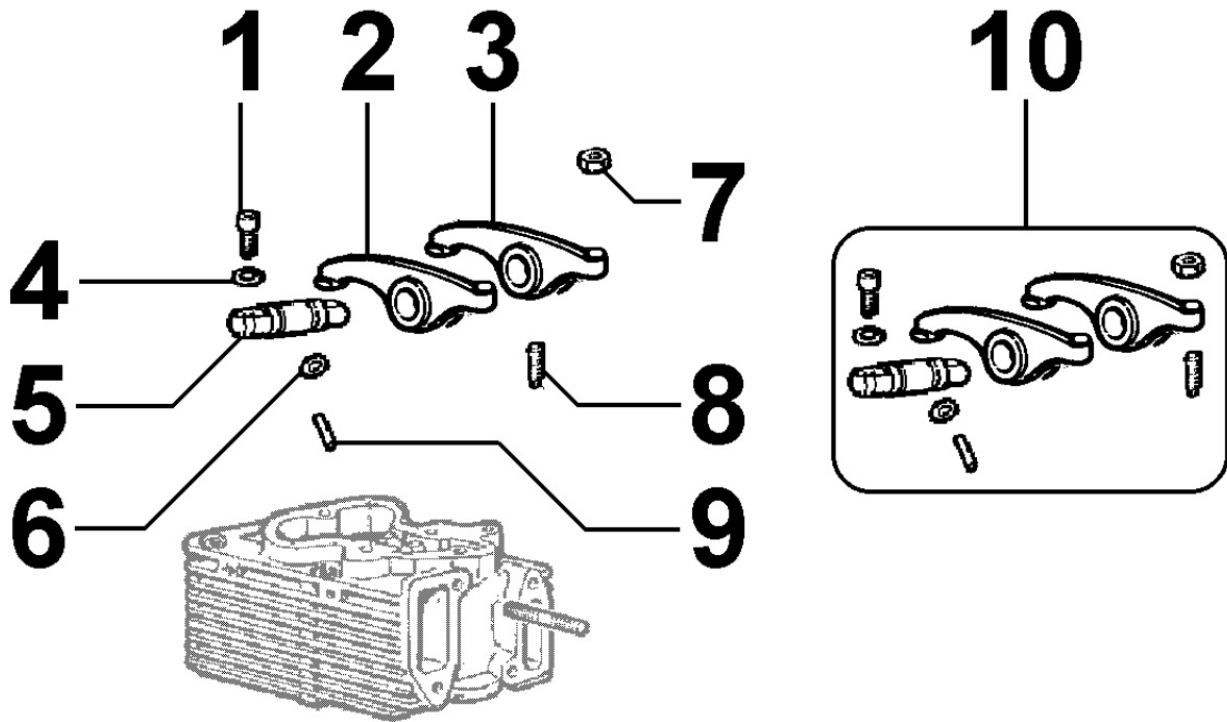


8035110040 - CAMSHAFT



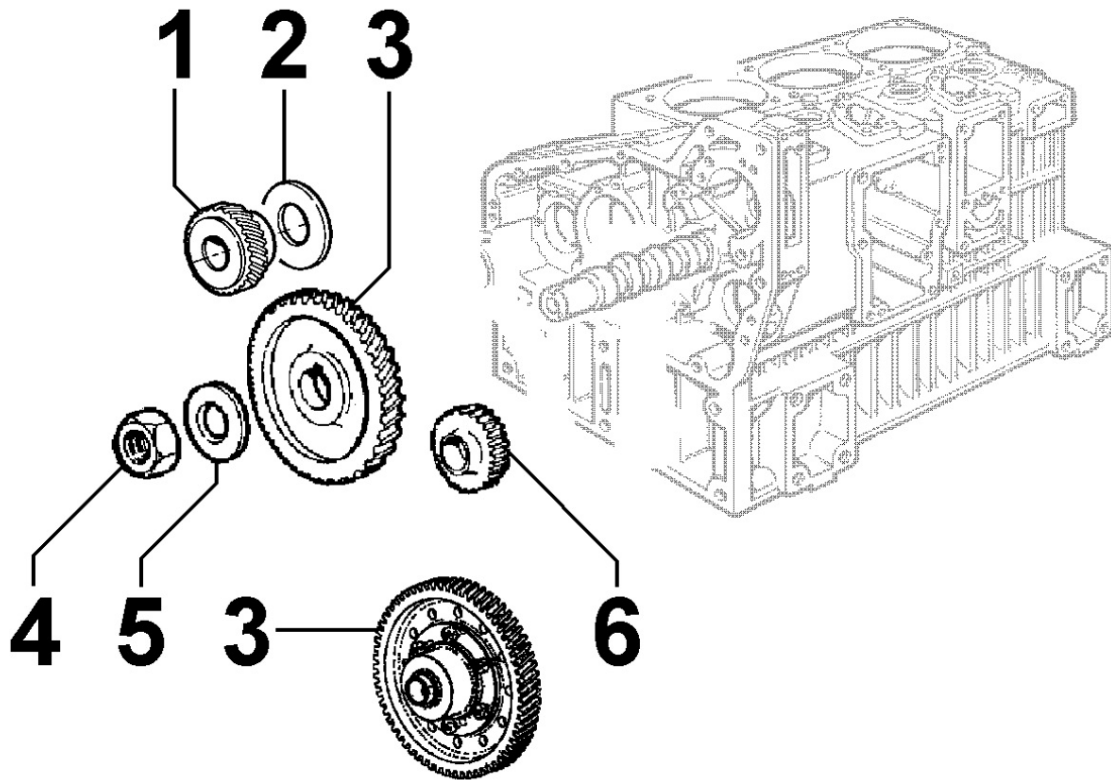
Pos	Kit	Included In	Code	Description	Qty	Old Code	Tech. Info
1			ED0047400290-S	GASKET	6		
2			ED0076251080-S	WASHER	3		
3			ED0058011530-S	SPRING	3		
5			ED0095200530-S	PROT.TUBE	3		
6			ED0014102110-S	PUSHROD COMPLETE	6		
7			ED0072150430-S	TAPPET	6		
8			ED0022800560-S	KEY	1		
10			ED0010116000-S	CAMSHAFT	1		

8036110010 - ROCKER ARMS / VALVES



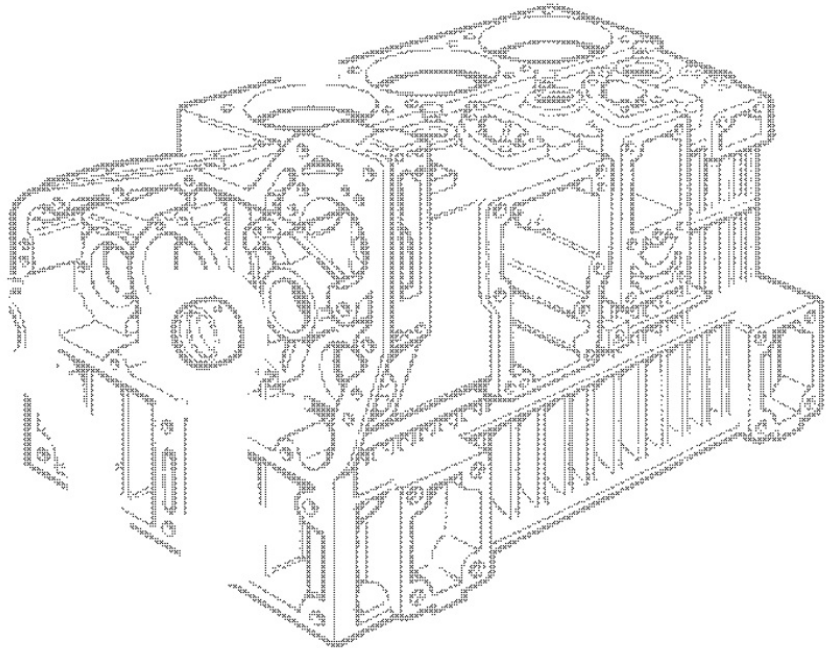
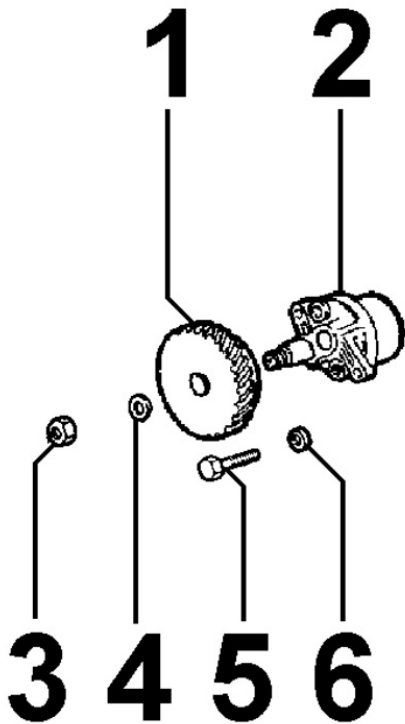
Pos	Kit	Included In	Code	Description	Qty	Old Code	Tech. Info
1		(D)	ED0097301000-S	SCREW	6		
2	(A)	(D)	ED0015412320-S	BILANC./ROCKERARM N	3		
3	(B)	(D)	ED0015412310-S	BILANC./ROCKERARM N	3		
4		(D)	ED0075650070-S	SP.WASHER	6		
5		(D)	ED0060450400-S	R.ARMSHAFT	3		
6		(D)	ED0013500110-S	RING	3		
7		(A) (B) (D)	ED0032400100-S	HEX.NUT	6		
8		(A) (B) (D)	ED0098500020-S	ADJ.SCREW	6		
9		(D)	ED0094550530-S	TUBE	3		
10	(D)		ED0043300360-S	R.A.ASS.Y	3		

8038110010 - TIMING GEAR



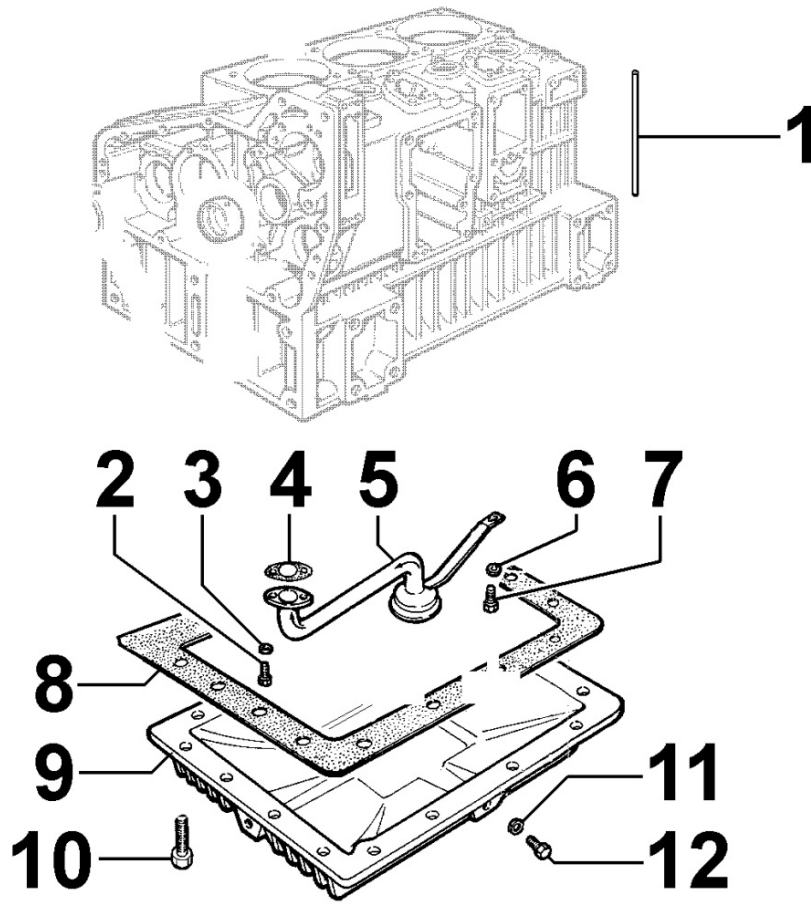
Pos	Kit	Included In	Code	Description	Qty	Old Code	Tech. Info
1			ED0049360490-S	GEAR	1		
2			ED0013011400-S	RING	1		
3			ED0049360500-S	GEAR	1		
4			ED0032600440-S	NUT	1		
5			ED0057150050-S	SPRING WASHER	1		
6			ED0049360520-S	GEAR	1		

**8040110010 - OIL PUMP**



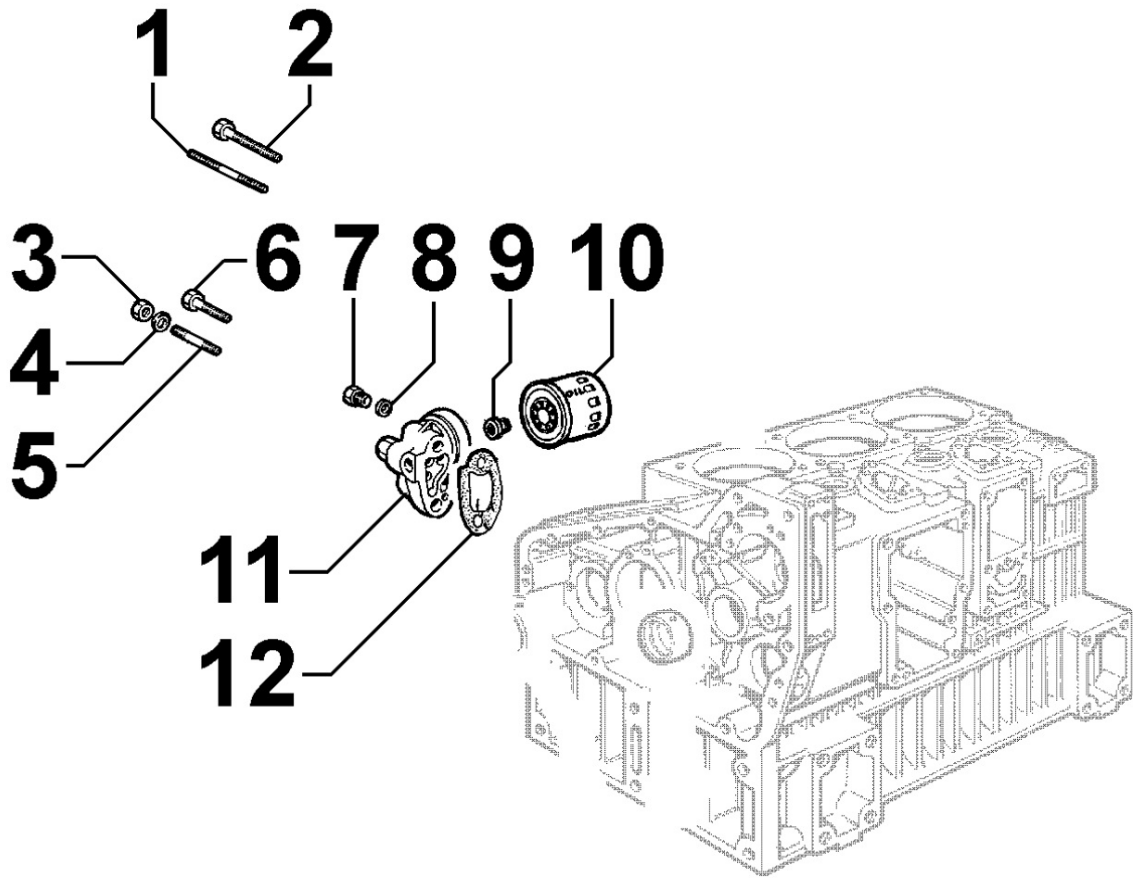
Pos	Kit	Included In	Code	Description	Qty	Old Code	Tech. Info
1			ED0049360510-S	GEAR	1		
2			ED0066050620-S	L.OIL PUMP	1		
3			ED0032400360-S	HEX.NUT	1		
4			ED0075650110-S	LOCK WASHER M10	1		
5			ED0017700310-S	BOLT	2		
6			ED0075650070-S	SP.WASHER	2		

8041110010 - OIL PAN



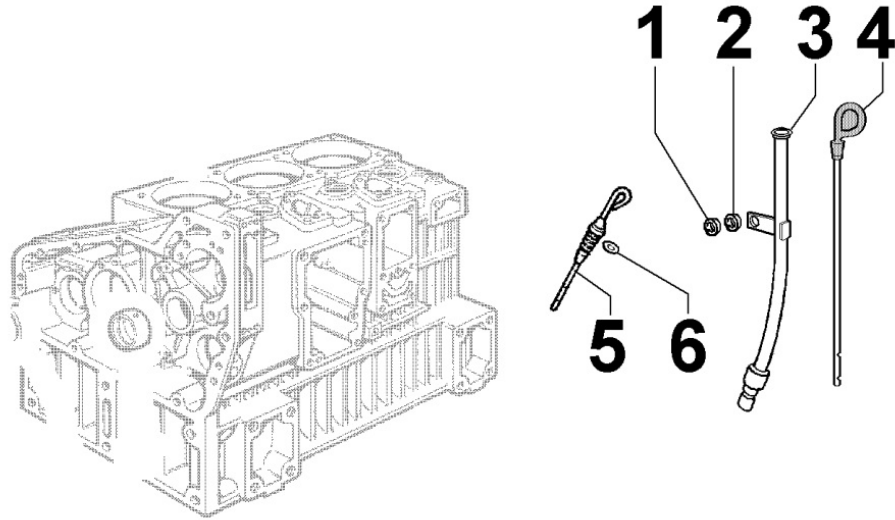
Pos	Kit	Included In	Code	Description	Qty	Old Code	Tech. Info
1			ED0094551310-S	TUBE	3		
2			ED0017600060-S	BOLT	2		
3			ED0075650040-S	SP.WASHER	2		
4			ED0045010250-S	GASKET	1		
5			ED0037400580-S	OIL FILTER	1		
6			ED0075650070-S	SP.WASHER	1		
7			ED0017700020-S	BOLT	1		
8			ED0046010450-S	GASKET	1		
9	(A)		ED0066451320-S	OIL PAN	1		
10			ED0017701550-S	BOLT	26		
11		(A)	ED0046700160-S	GASKET	2		
12		(A)	ED0089650050-S	CAP	2		

8042110160 - OIL FILTER



Pos	Kit	Included In	Code	Description	Qty	Old Code	Tech. Info
1			ED0067800340-S	STUD	1		
3			ED0032400180-S	HEX.NUT	2		
4			ED0076250100-S	WASHER	2		
5			ED0067800280-S	STUD	1		
7			ED0089650340-S	PLUG	1		
8			ED0046700580-S	COPPER GASKET	1		
9		(A)	ED0073300660-S	UNION	1		
10		(A)	ED0021750400-S	OIL FILTER CARTRIDGE	1		
11	(A)		ED0037401600-S	COMPLETE EXT. OIL FILTER 6BAR	1		
12			ED0047305330-S	GASKET	2		

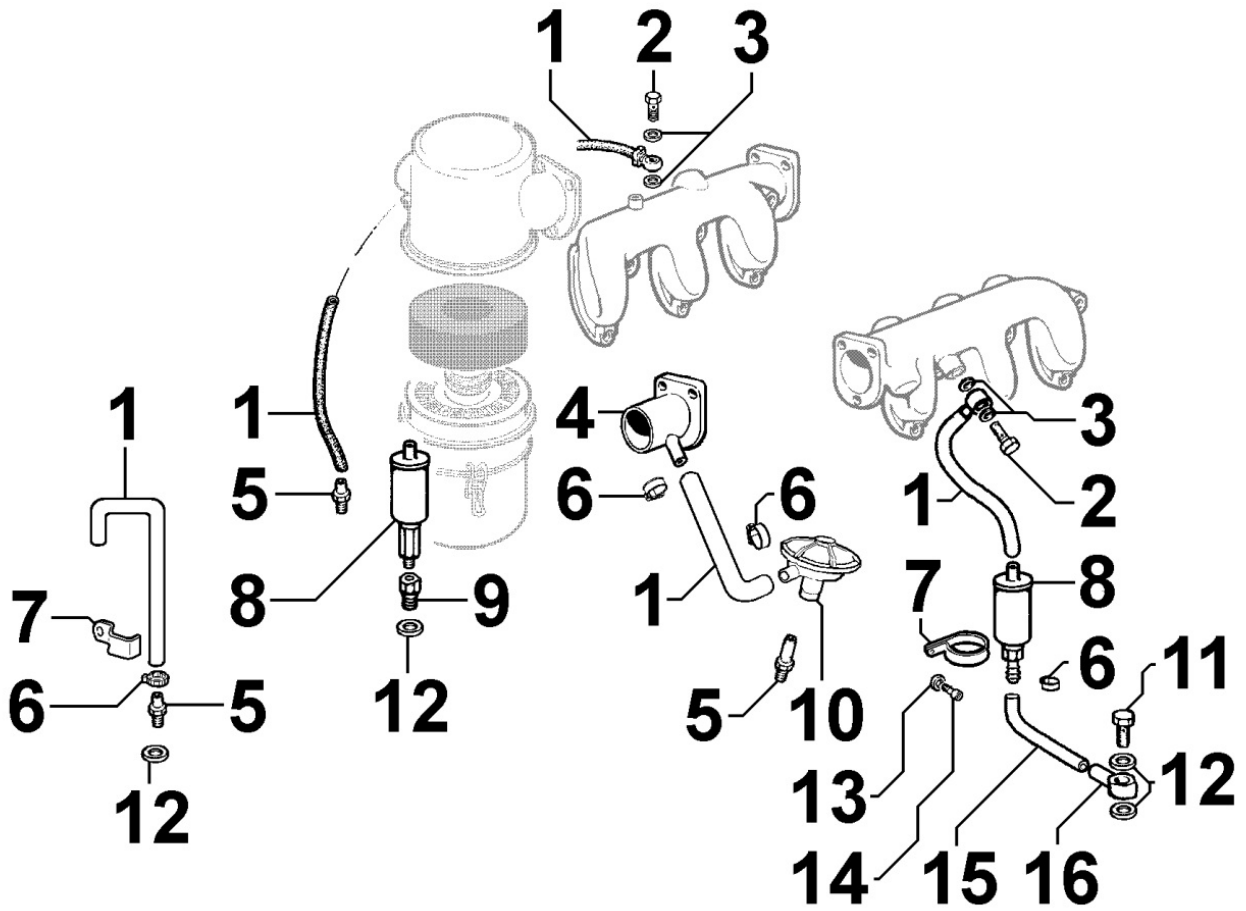
8043110010 - OIL DIPSTICK



Pos	Kit	Included In	Code	Description	Qty	Old Code	Tech. Info
5	(A)		ED0014005190-S	ASTA LIVELLO/DIPSTICK D	1		
6		(A)	ED0012003250-S	O RING	3		



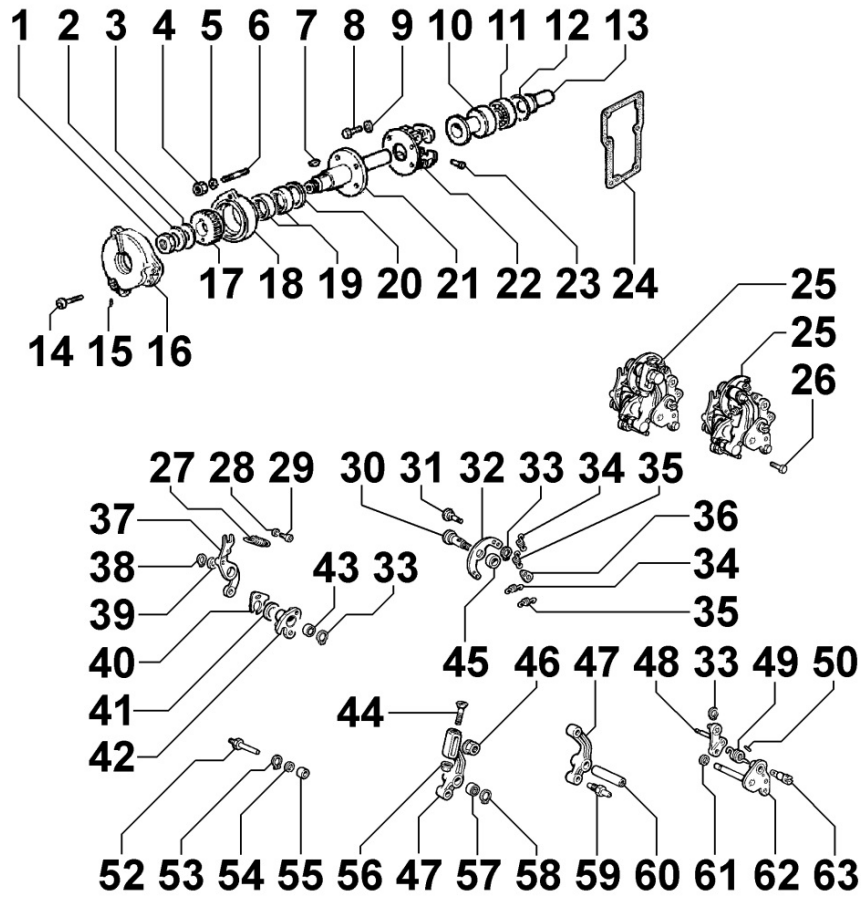
8045110120 - BREATHER SYSTEM





Pos	Kit	Included In	Code	Description	Qty	Old Code	Tech. Info
1			ED0094001330-S	TUBO DEPR./SUCTIONL. N	1		
5			ED0073010360-S	UNION	1		
6			ED0036300430-S	CLAMP	3		
7			ED0051110620-S	RETAINER	1		
12			ED0046700190-S	GASKET	1		



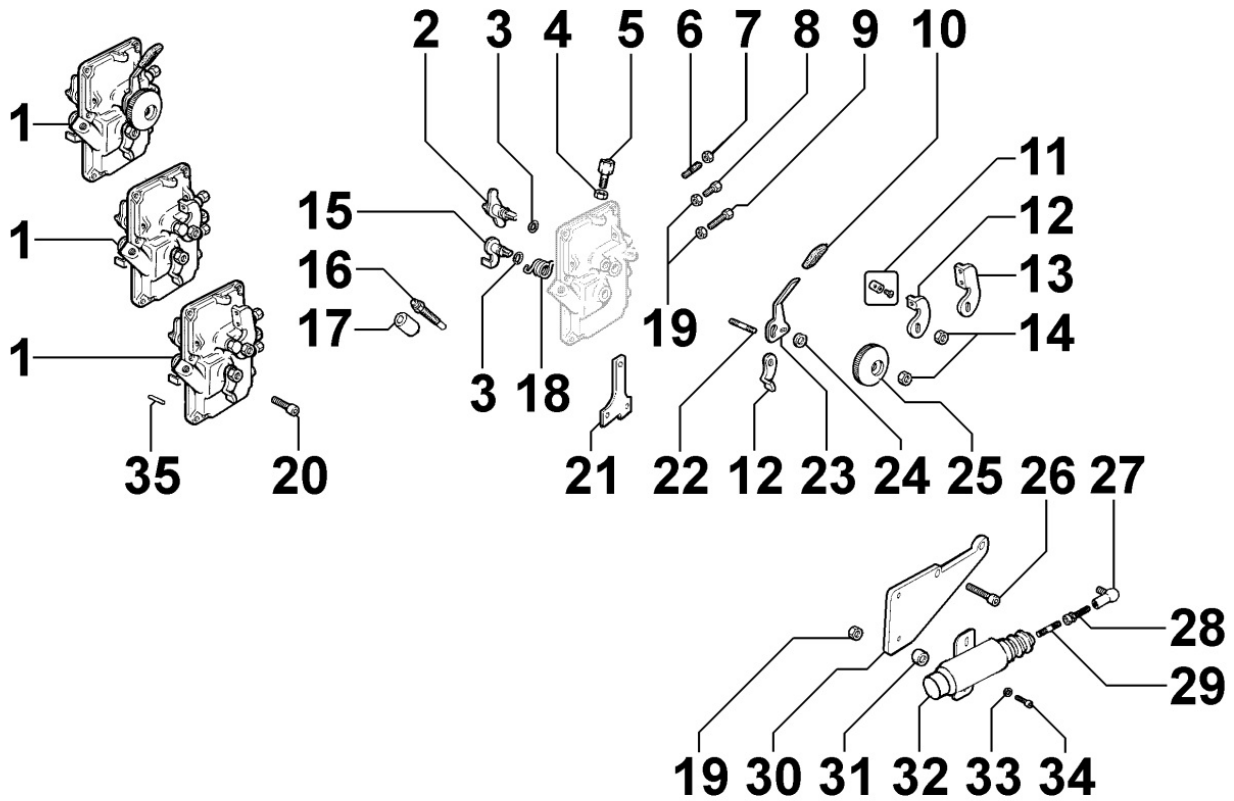
**8050110020 - SPEED GOVERNOR**



Pos	Kit	Included In	Code	Description	Qty	Old Code	Tech. Info
1			ED0032400660-S	HEX.NUT M10X1,5 UNI 5588-8G+ZN.B	1		
2		(A)	ED0077480230-S	WASHER	1		
3			ED0076250200-S	WASHER	1		
4			ED0032400180-S	HEX.NUT	2		
5			ED0075650070-S	SP.WASHER	2		
6			ED0067800520-S	STUD	2		
7			ED0022800610-S	KEY	1		
8			ED0097300030-S	SCREW	4		
9			ED0075650030-S	SP.WASHER	4		
10			ED0064100480-S	GOVERNOR ROD	1		
11			ED0030100550-S	BALL BEARING	1		
12			ED0011600120-S	STOPRING	1		
13		(E)		POS. 10	1		
14			ED0097301000-S	SCREW	3		
15		(A)	ED0097650560-S	A.GRUBSCREW	1		
16			ED0020861890-S	BELL	1		
17			ED0049360530-S	GEAR	1		
18	(A)		ED0073621520-S	GOVERNOR	1		
19			ED0015850520-S	BUSHING	2		
20			ED0073520220-S	THRUSTWASHER	1		
21			ED0010850090-S	ALB.REG./GOVER SHAFT N	1		
22			ED0054961080-S	WEIGHT SP.GOV.R.P.M 2000>	1		
23			ED0084450210-S	PIN	2		
24			ED0047755240-S	GASKET	1		
25	(B)		ED0052007400-S	LEVER	1		
26			ED0017700560-S	BOLT	2		
27		(B)	ED0055500270-S	SPRING	1		

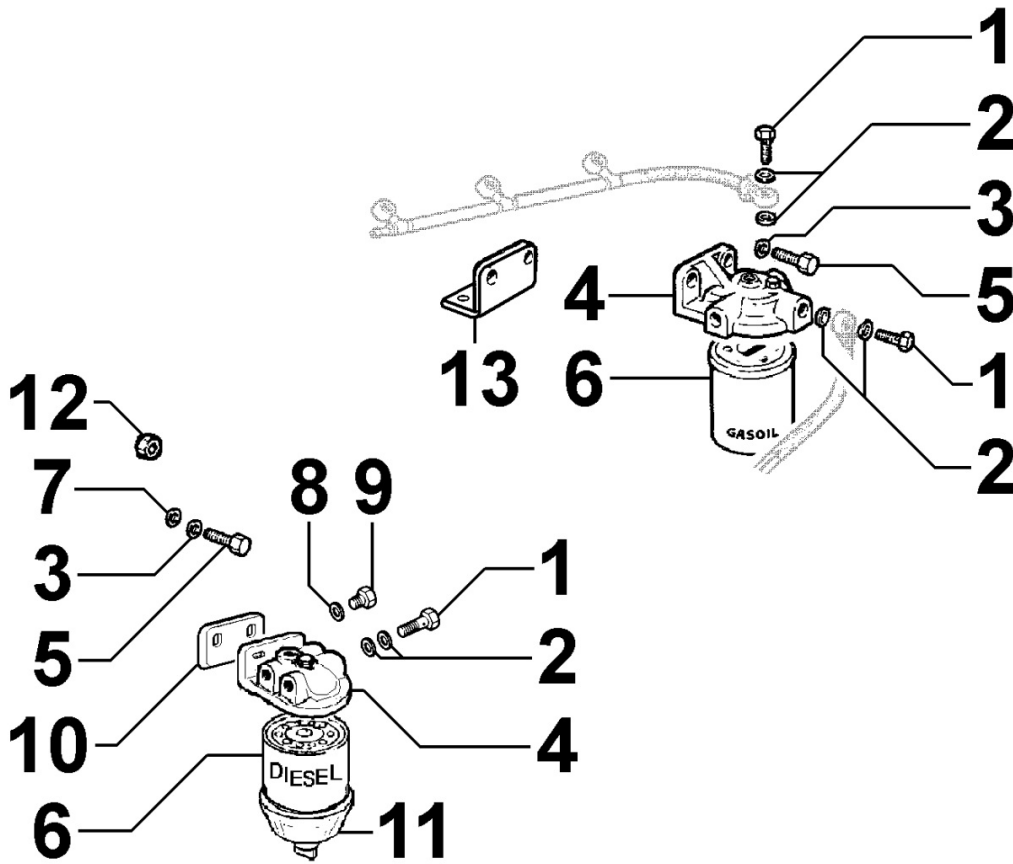
Pos	Kit	Included In	Code	Description	Qty	Old Code	Tech. Info
27		(B)	ED0055500270-S	SPRING	1		
28		(B)	ED0076250120-S	WASHER	1		
29		(B)	ED0097300240-S	ALLEN SCREW	1	ED0097301380-S	
31		(B)	ED0061100770-S	PIVOT PIN FOR ROCKER ARM	1		
32		(B)	KDISC.		1	ED0015410250-S	
32		(B)		POS. 25	1		
33		(B)	ED0012400010-S	RING	2		
34		(B)	ED0056553490-S	SPRING	2		
36		(B)	ED0063701210-S	PLATE	1		
37		(B)		POS. 25	1		
38		(B)	ED0012400020-S	SNAP RING	1		
39		(B)	ED0076260970-S	WASHER	1		
40		(B)	ED0063660120-S	PLATE	1		
41		(B)	KDISC.		1	ED0076260980-S	
41		(B)		POS. 25	1		
42		(B)	ED0052002570-S	LEVER 11-LD ITEM #383	1		
47		(B)		POS. 25	1		
48		(B)		POS. 25	1		
49		(B)	ED0056800820-S	SPRING	1		
50		(B)	ED0084300230-S	SPRING PIN	1		
52		(B)		POS. 25	1		
52		(B)	KDISC.		1	ED0062310750-S	
53		(B)	ED0011750420-S	ELASTIC RING RW7 UNI 7433	1		
54		(B)	ED0076251060-S	WASHER	1		
55		(B)	ED0013013900-S	ANELLO/RING N	1		
59		(B)	KDISC.		1	ED0062310760-S	
59		(B)		POS. 25	1		
60		(B)	ED0019710450-S	SLEEVE	1		
61		(B)	KDISC.		1	ED0012570250-S	
63		(B)	ED0061401300-S	PERNO/JOURNAL N	1		

8051110200 - CONTROLS



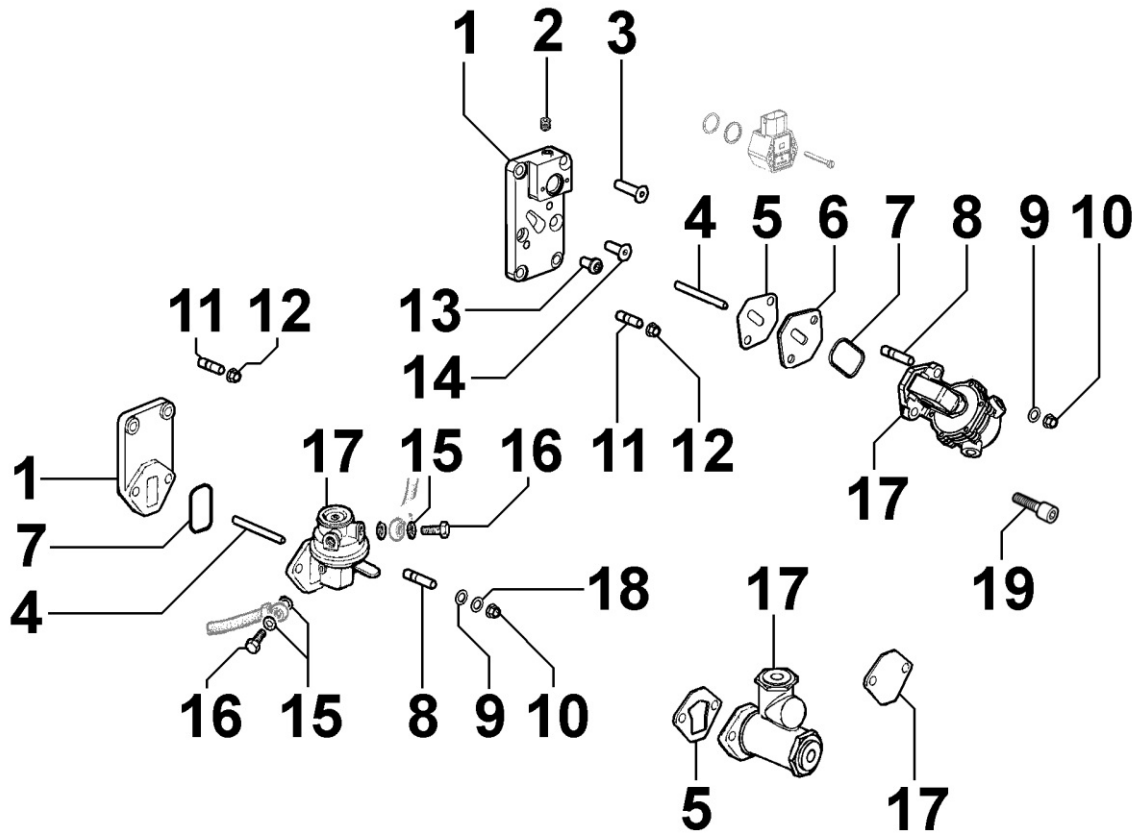
Pos	Kit	Included In	Code	Description	Qty	Old Code	Tech. Info
1	(A)		ED0026903840-S	COP.SCAT./HOUS.COVER N	1		
2		(A)	ED0061401280-S	LEVERSHAFT-NOT AVAIL	1		
3		(A)	ED0012000340-S	O RING	2		
8		(A)	ED0017600820-S	BOLT	1		
9		(A)	ED0017601480-S	VITE/SCREW 10	1		
10		(A)	ED0043400670-S	JACKET	1		
14		(A)	ED0032401640-S	HEX.NUT	2		
15		(A)	ED0061401430-S	LEVER S.	1		
16			ED0085760210-S	EX.FUELDEV.	1		
19		(A)	ED0032400080-S	HEX.NUT	2		
20			ED0097301000-S	SCREW	4		
21		(A)	ED0052012180-S	LEVA COMANDO ELETTRISTOP	1		
22		(A)	ED0068700210-S	STUD	1		
23		(A)	ED0052001800-S	LEVER	1		
24		(A)	ED0076250980-S	WASHER	1		
25		(A)	ED0065450090-S	KNOB	1		
26			ED0097320640-S	SCREW	2		
27			ED0082800160-S	JOINT	1		
28			ED0082800480-S	SNODO/JOINT N	1		
29			ED0067600440-S	STUD	1		
30			ED0085461300-S	STAFFA/BRACE N	1		
31			ED0035273570-S	DISTANZIALE/SPACER F C	2		
32			ED0035860930-S	EL.MAGNETE/EL.MAGNET N	1		
33			ED0076250070-S	WASHER	2		
34			ED0097320780-S	SCREW	2		

8061110020 - FUEL FILTER



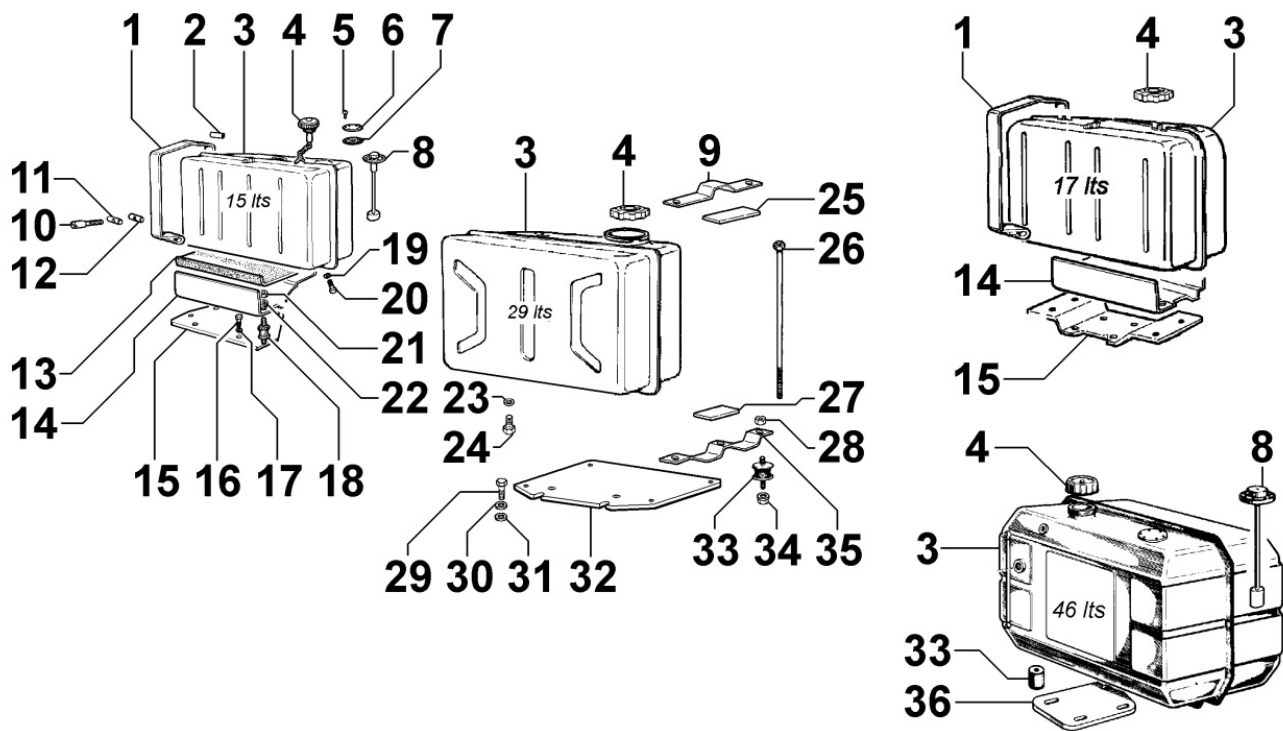
Pos	Kit	Included In	Code	Description	Qty	Old Code	Tech. Info
1			ED0019010320-S	UNION BOLT	2		
2			ED0046700610-S	C.GASKET	4		
3			ED0075650110-S	LOCK WASHER M10	2		
4	(A)		ED0037301520-S	FUEL FIL.	1		
5			ED0017800040-S	BOLT	2		
6		(A)	ED0021750460-S	FUEL FILTER CARTRIDGE	1		

**8062110050 - FUEL FEED PUMP**



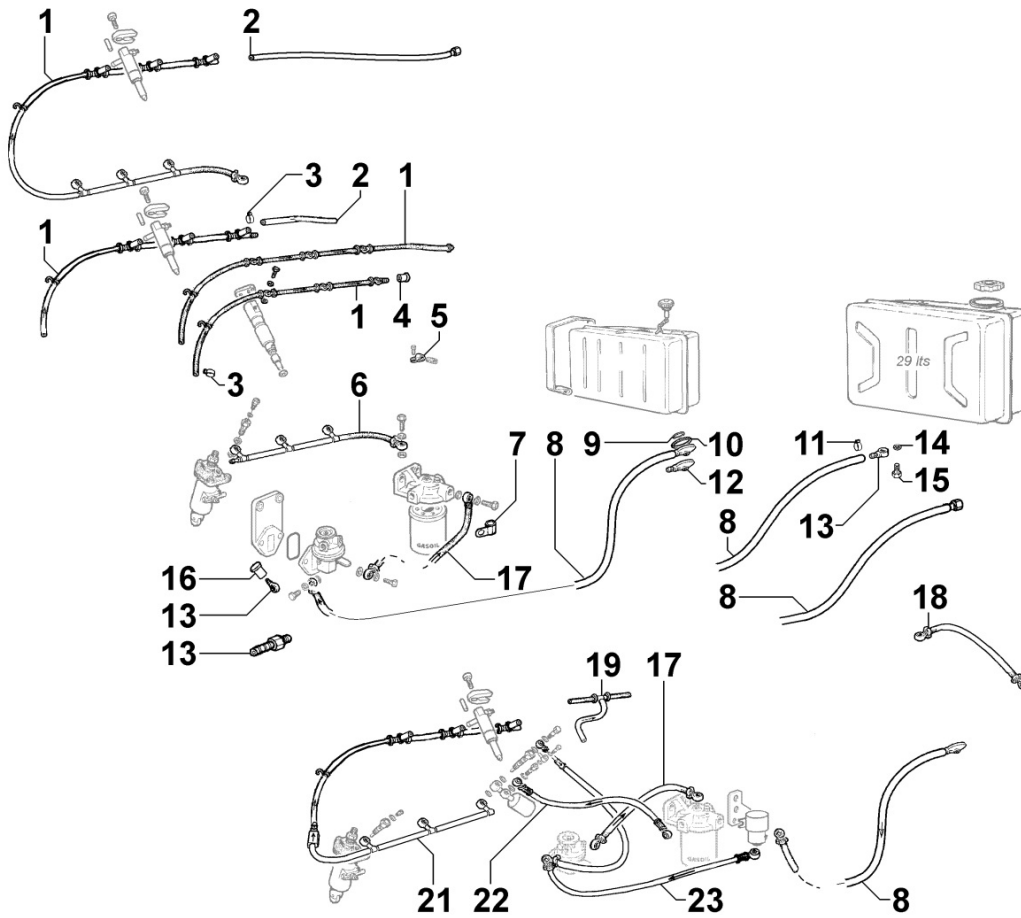
Pos	Kit	Included In	Code	Description	Qty	Old Code	Tech. Info
1			ED0026550320-S	COVER	1		⚠
4			ED0072001670-S	DRIVE ROD	1		⚠
5			ED0045801690-S	GASKET	1		
8			ED0067800700-S	STUD	2		
9			ED0075550290-S	WASHER	2		
10			ED0032400180-S	HEX.NUT	2		
11			ED0067800080-S	STUD	2		
12			ED0032401640-S	HEX.NUT	2		
15			ED0046700590-S	COPPER GASKET 10,2X14X1,5	4		
16			ED0019011930-S	BOLT	2		
17			ED0065851020-S	FEED PUMP	1		
18			ED0075650070-S	SP.WASHER	2		


8063110070 - FUEL TANK



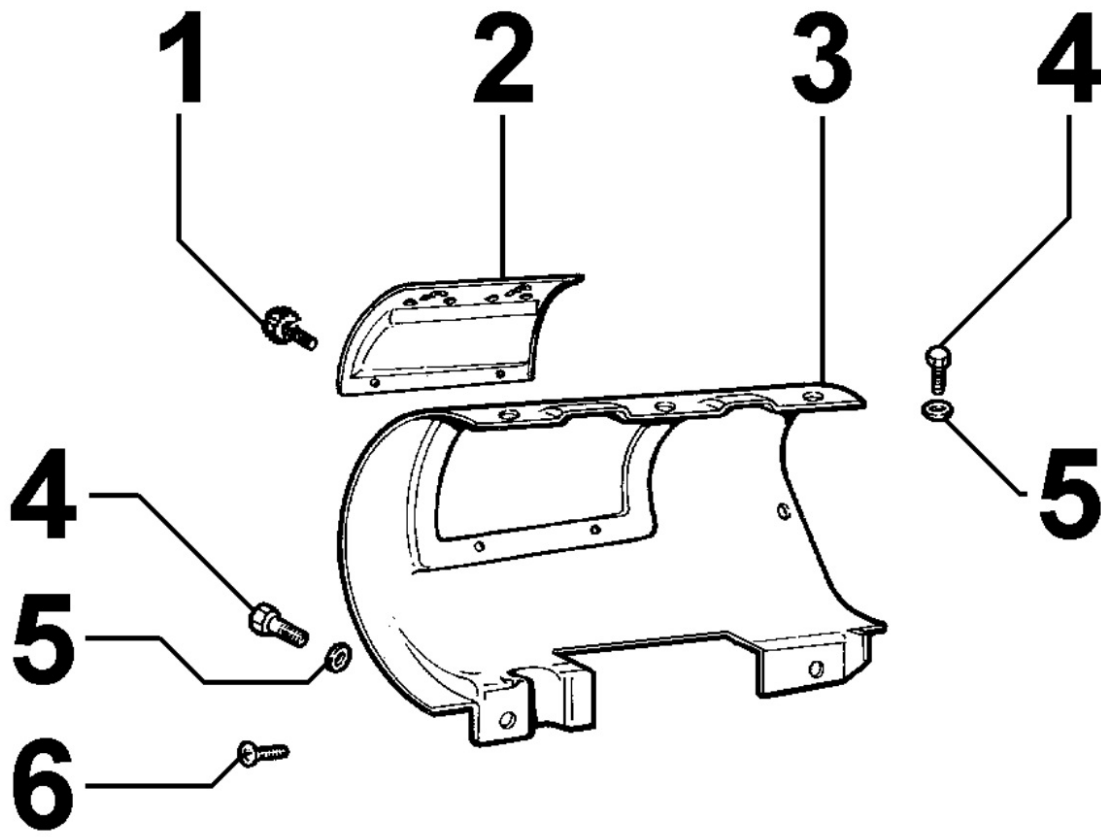
Pos	Kit	Included In	Code	Description	Qty	Old Code	Tech. Info
3	(A)		ED0081033080-S	FUEL TANK 29 LITRES	1	ED0081011030-S	
4		(A)	ED0090430920-S	TANK CAP	1		
5			ED0097610010-S	SEC.SCREW	6		
6			ED0050550230-S	S.PLAT.	1		
7			ED0047760400-S	GASKET	1		
23			ED0046700590-S	COPPER GASKET 10,2X14X1,5	2		
24			ED0019010450-S	UNION BOLT	1		


8064110530 - FUEL PIPING



Pos	Kit	Included In	Code	Description	Qty	Old Code	Tech. Info
1			ED0095712290-S	FUEL TUBE	1		
2			ED0095712140-S	Fuel Tube	1		
3			ED0036300500-S	CLAMP	5		
6			ED0093756130-S	FUEL TUBE	1		
8	(A)		ED0093753080-S	FUEL TUBE	1		
11			ED0036300080-S	CLAMP	1		
13			ED0072701040-S	UNION	2		
14			ED0046700590-S	COPPER GASKET 10,2X14X1,5	4		
15			ED0019010450-S	UNION BOLT	1		
17			ED0093740360-S	FUEL TUBE	1		

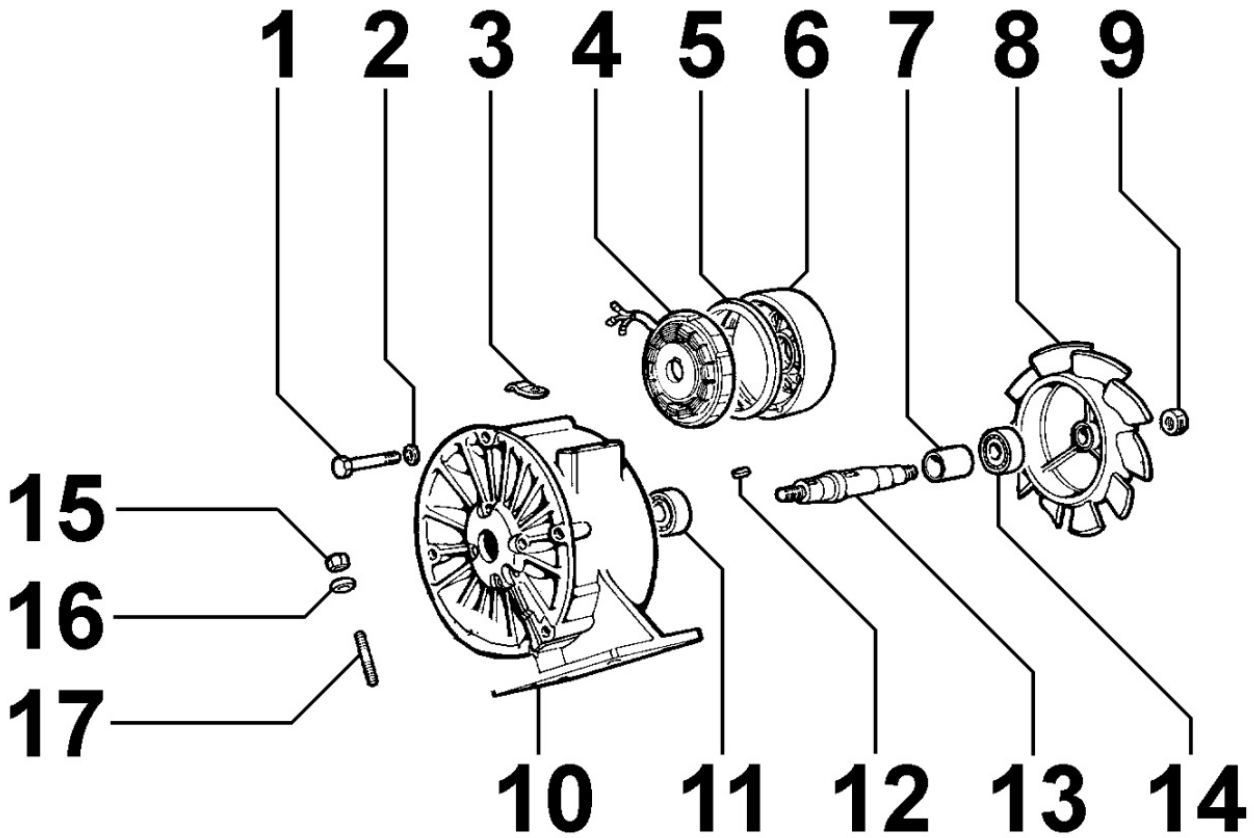
8070110010 - AIR SHROUD



Pos	Kit	Included In	Code	Description	Qty	Old Code	Tech. Info
1			ED0098950550-S	KNOB	2		
2			ED0066600280-S	INS.PLAT.	1		
3			ED0025693720-S	SHROUD	1		
4			ED0017700560-S	BOLT	5		
5			ED0076250120-S	WASHER	5		
6			ED0097900470-S	SCREW	2		

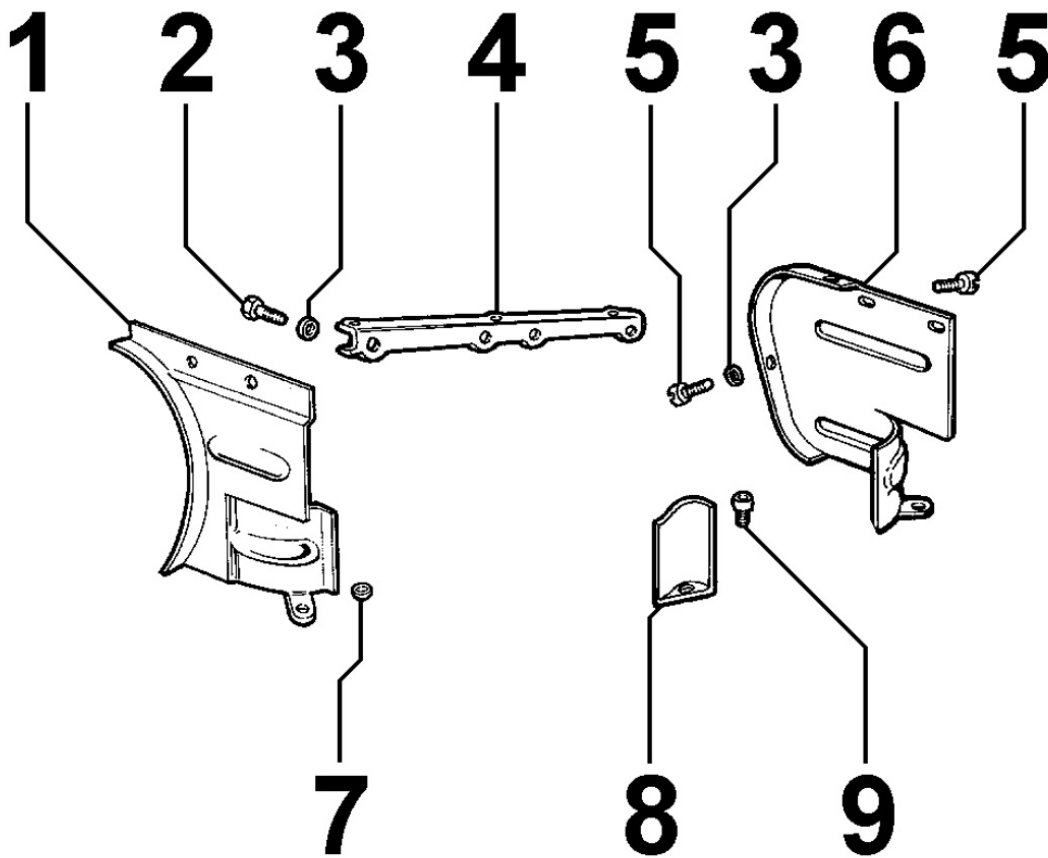


8071110030 - COOLING FAN



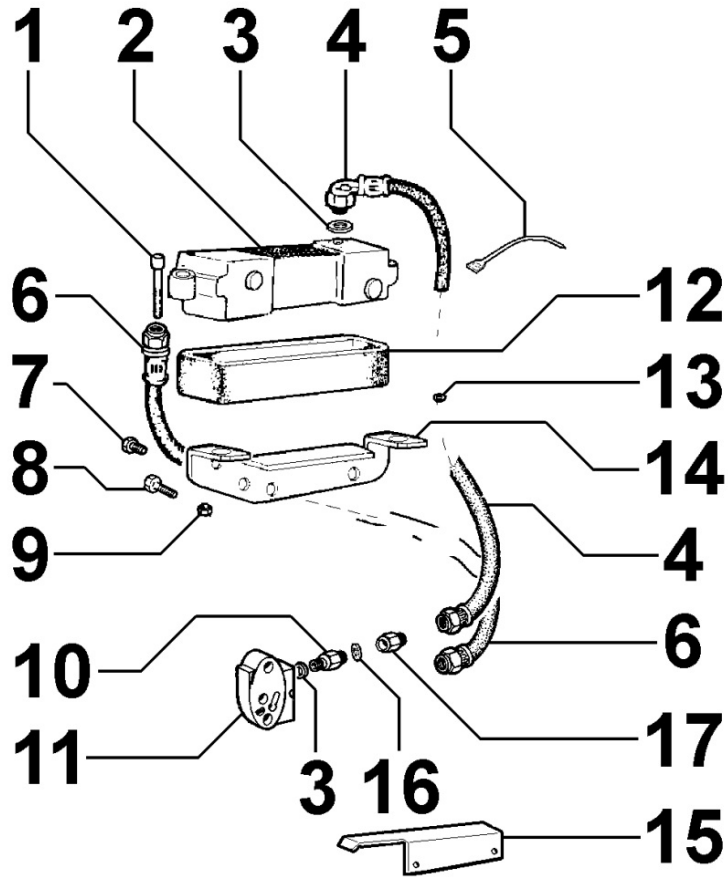
Pos	Kit	Included In	Code	Description	Qty	Old Code	Tech. Info
1		(A)	ED0017600840-S	BOLT	4		
2		(A)	ED0076250070-S	WASHER	4		
3		(A)	ED0036170240-S	CLAMP	1		
4		(A)	ED0011571590-S	ALTERNATOR 12V 21A	1		⚠
6		(A)	ED0020860500-S	BELL	1		
7		(A)	ED0034500510-S	SPACER	1		
8		(A)	ED0097181080-S	BLOWER	1		
9		(A)	ED0032030150-S	NUT	2		
10	(A)		ED0097181980-S	BLOWER FAN ASSY	1		⚠
10		(A)	ED0085650500-S	STATOR	1		
11		(A)	ED0030030520-S	B.BEARING	1		
12		(A)	ED0022000040-S	KEY	1		⚠
13		(A)	ED0011050170-S	SHAFT	1		
14		(A)	ED0030020320-S	BEARING	1		
15			ED0032400180-S	HEX.NUT	4		
16			ED0075650070-S	SP.WASHER	4		
17			ED0067800080-S	STUD	4		

8072110020 - COOLING PLATES



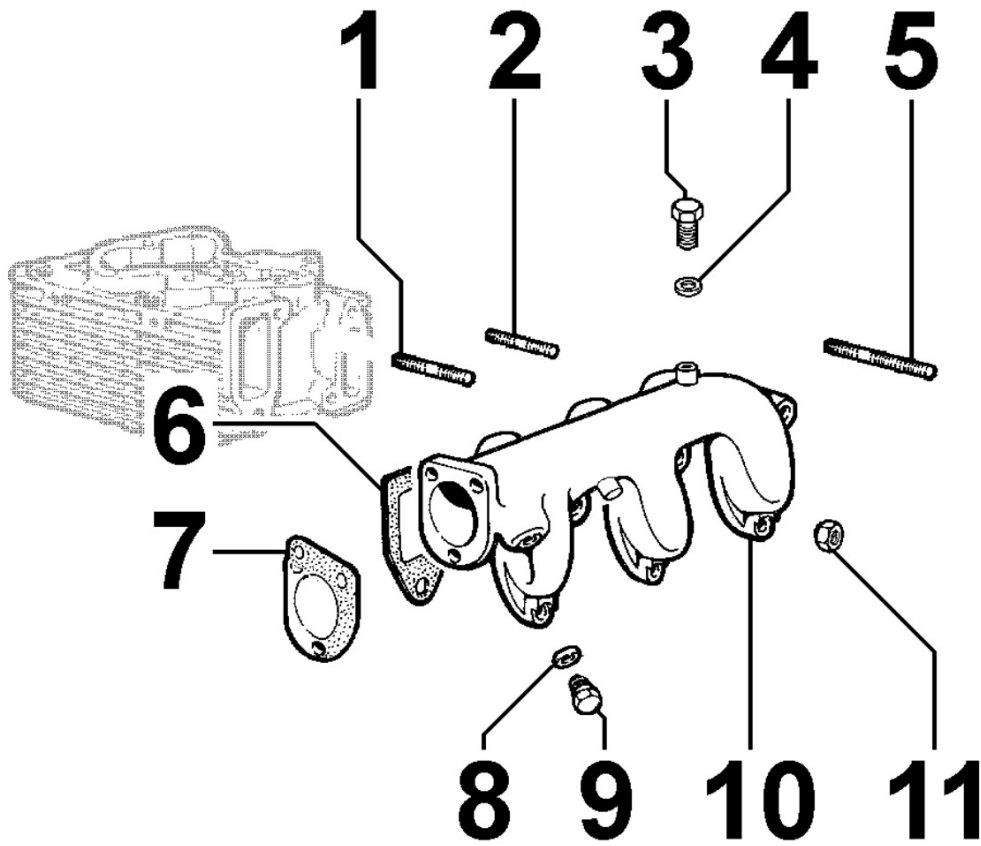
Pos	Kit	Included In	Code	Description	Qty	Old Code	Tech. Info
1			ED0050660560-S	PLATE	1		
2			ED0017600320-S	BOLT	4		
3			ED0076250620-S	WASHER	6		
4			ED0050660610-S	PLATE	1		
5			ED0097900390-S	CH-H.SCREW	4		
6			ED0050660550-S	PLATE	1		
7			ED0076250120-S	WASHER	2		
8			ED0033500770-S	DEFLECTOR	2		
9			ED0097310920-S	ALLEN SCREW	2		

8078110040 - OIL RADIATOR / OIL COOLER



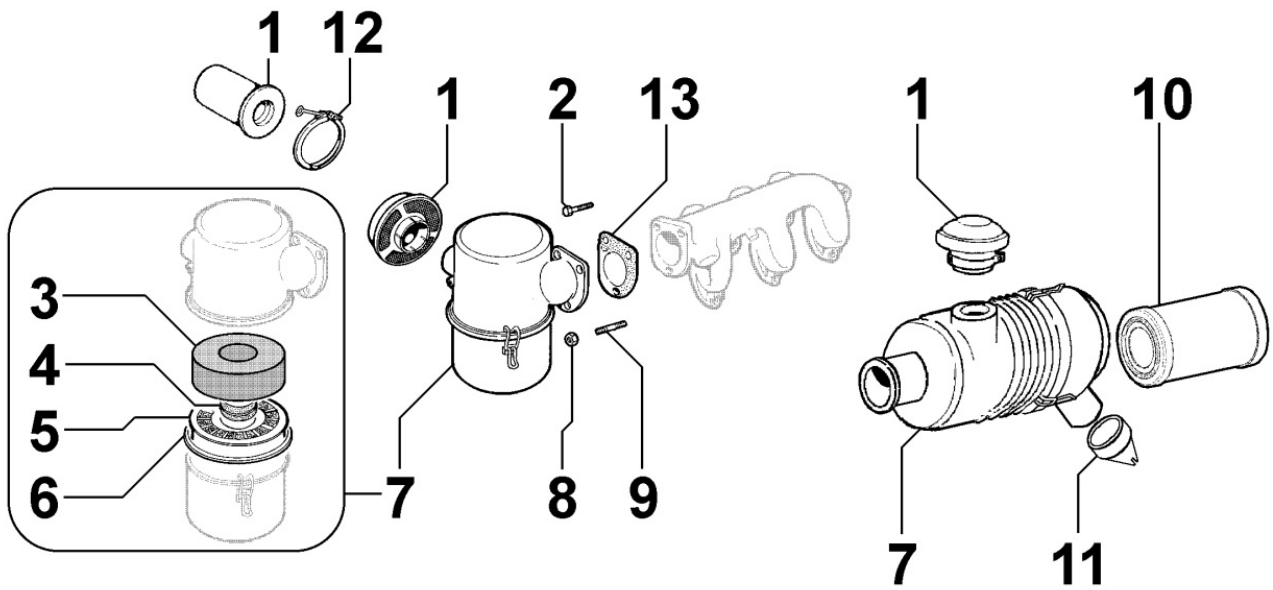
Pos	Kit	Included In	Code	Description	Qty	Old Code	Tech. Info
1			ED0097300320-S	SCREW	2		
2			ED0073500520-S	OIL COOLER	1		⚠
3			ED0046700190-S	GASKET	4		
4			ED0094854060-S	PIPE FOR FILTER OIL	1		
5			ED0024710140-S	COLLAR	1		
6			ED0094854050-S	PIPE FOR FILTER OIL	1		
7			ED0097320920-S	SCREW	3		
8			ED0017700560-S	BOLT	1		
9			ED0032401640-S	HEX.NUT	2		
10			ED0059530360-S	NIPPLE	4		
11			ED0063701370-S	PLATE	1		
12			ED0047754220-S	COOLER GUARD	1		⚠
13			ED0076250120-S	WASHER	2		
13			ED0075650070-S	SP.WASHER	2		
14			ED0085452710-S	BRACE	1		⚠
16			ED0046700210-S	GASKET	2		
17			ED0059530060-S	ADAPTER MF	2		

8080110190 - AIR INLET MANIFOLD / AIR FILTER



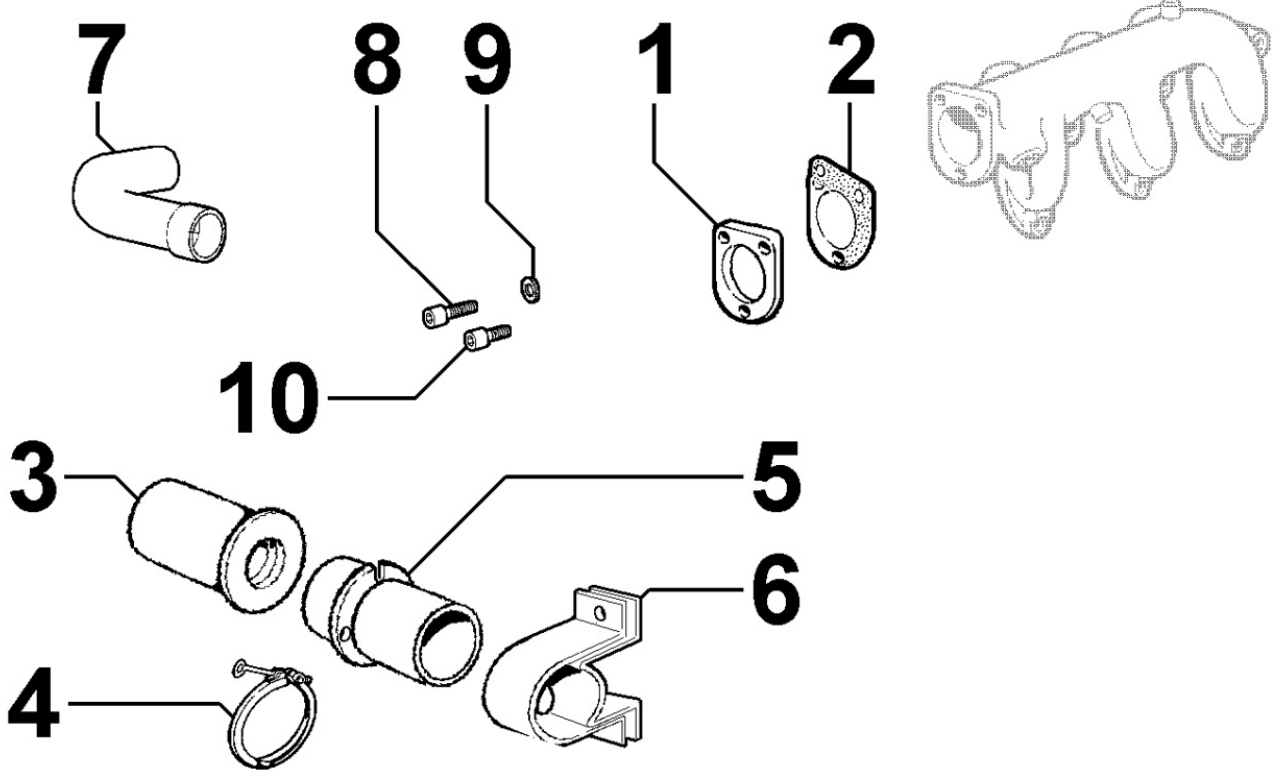
Pos	Kit	Included In	Code	Description	Qty	Old Code	Tech. Info
1			ED0067800310-S	STUD	3		
2			ED0067800840-S	STUD	3		
3			ED0089650490-S	TAPPO/CAP N	1		
4			ED0046700610-S	C.GASKET	1		
6			ED0044200200-S	GASKET	3		
7			ED0044900860-S	GASKET	1		
10			ED0024864960-S	COLLETTORE/MANIFOLD D C**	1		
11			ED0032401640-S	HEX.NUT	6		

**8081110100 - AIR CLEANER**



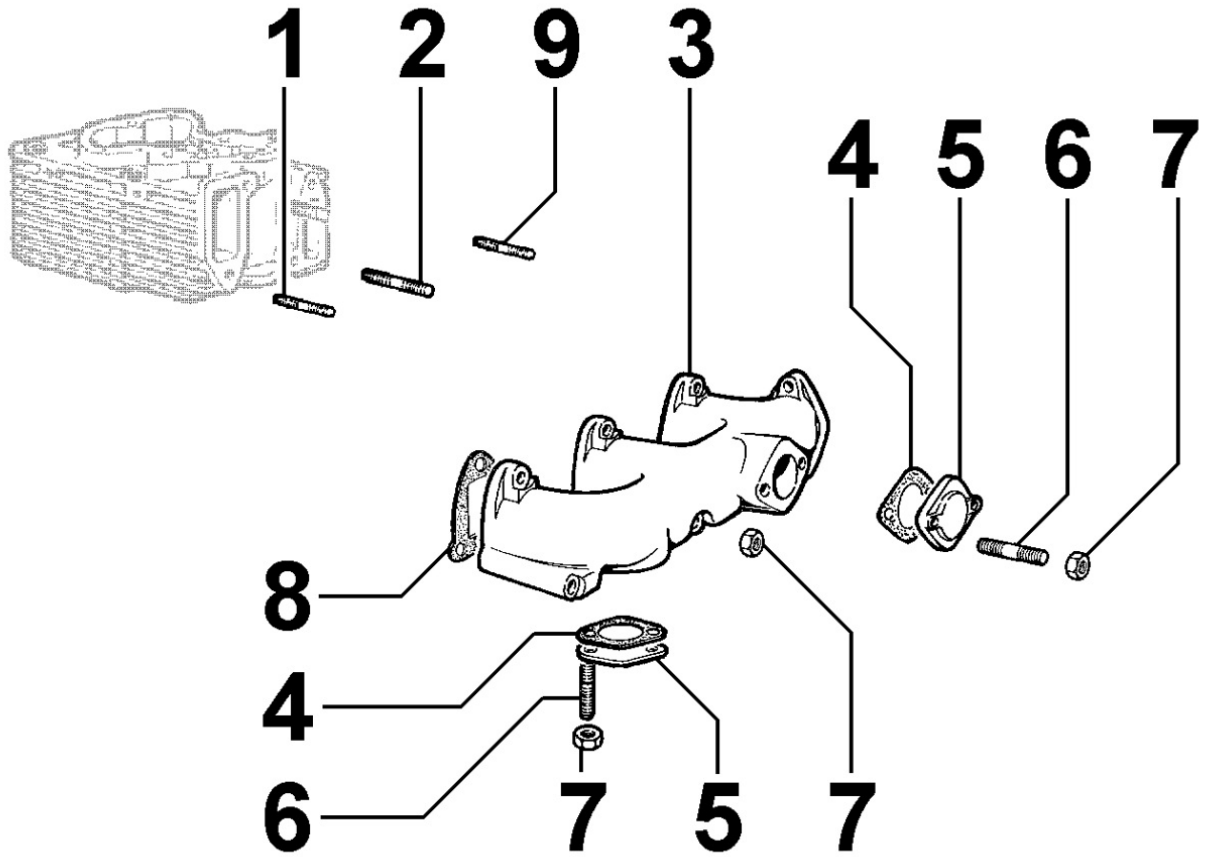
Pos	Kit	Included In	Code	Description	Qty	Old Code	Tech. Info
1			ED0021360540-S	CAP	1		
2			ED0017700070-S	BOLT	2		
7	(A)		ED0037004570-S	AIR FILTER 7" DONALDSON	1		
8			ED0032401640-S	HEX.NUT	3		
9			ED0067800080-S	STUD	1		
10		(A)	ED0021751260-S	AIR FILTER CARTRIDGE 7"	1		
11		(A)	ED0064910310-S	PIPE ELBOW	1	ED0064910330-S	

8082110040 - AIR INLET ACCESORIES



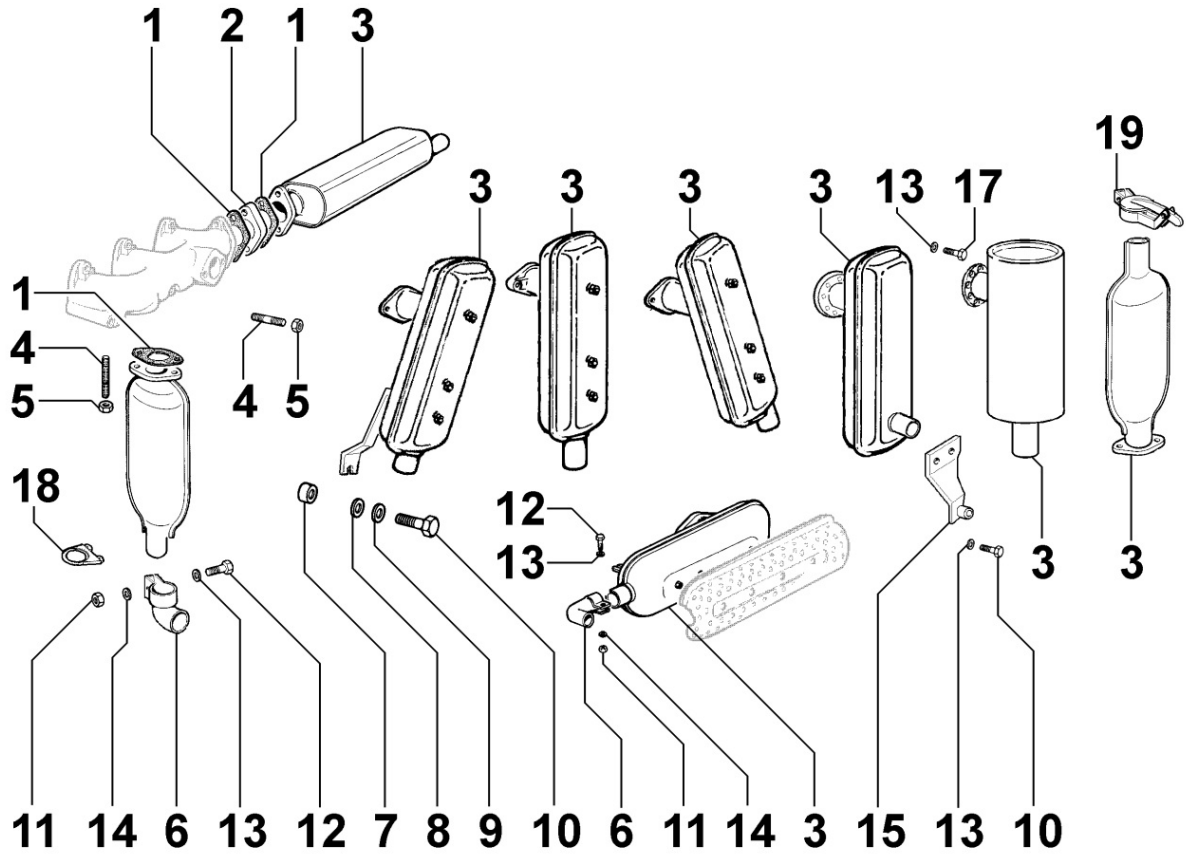
Pos	Kit	Included In	Code	Description	Qty	Old Code	Tech. Info
1			ED0037810690-S	FLANGE	1		
2			ED0044900860-S	GASKET	1		

8085110020 - EXHAUST GAS MANIFOLD



Pos	Kit	Included In	Code	Description	Qty	Old Code	Tech. Info
1			ED0067800840-S	STUD	3		
2			ED0067800340-S	STUD	3		
3			ED0024860460-S	MANIFOLD	1		
4			ED0045000790-S	GASKET	2		
5			ED0063000180-S	PLATE	2		
6			ED0067800080-S	STUD	4		
7			ED0032401630-S	HEX.NUT M8	10		
8			ED0044200190-S	GASKET	3		

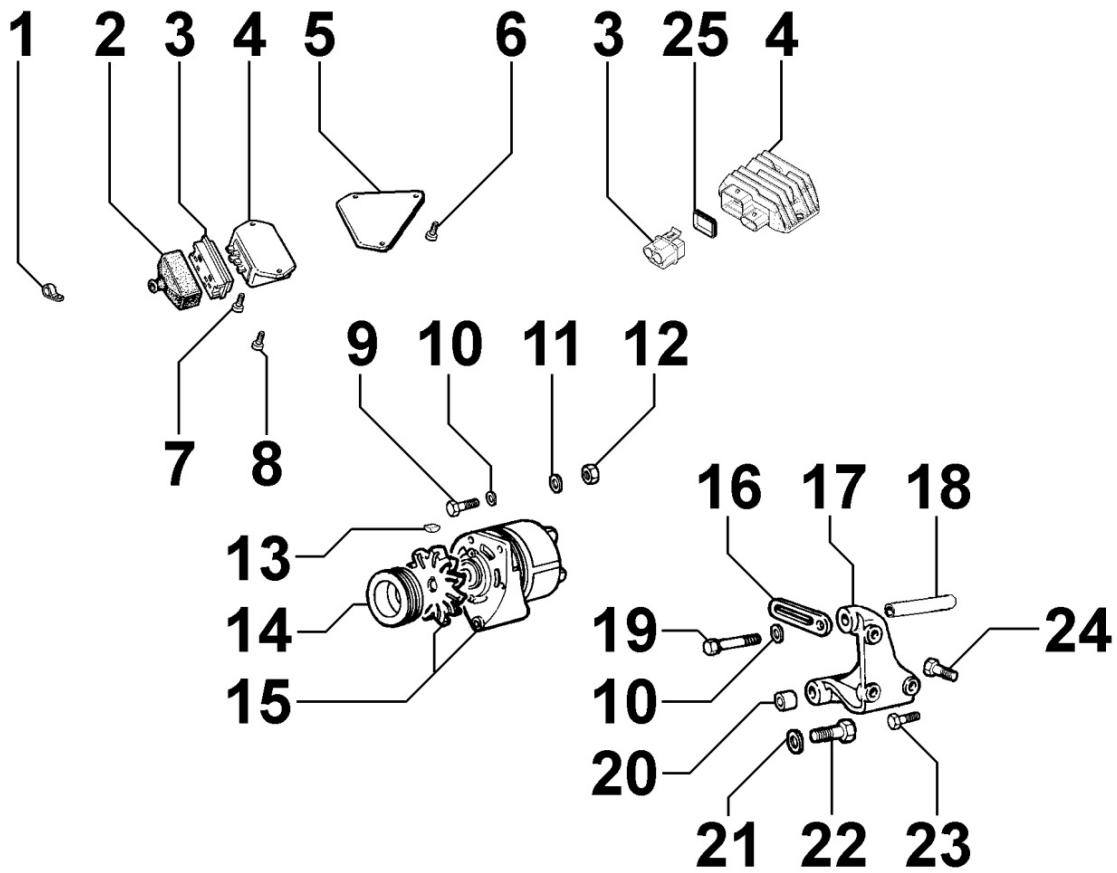
**8086110170 - EXHAUST MUFFLER**



Pos	Kit	Included In	Code	Description	Qty	Old Code	Tech. Info
1			ED0045000790-S	GASKET	1		
3			ED0054602170-S	MUFFLER	1		
4			ED0067800080-S	STUD	2		
5			ED0032401630-S	HEX.NUT M8	3		
6			ED0091701420-S	TUBE END	1		
11			ED0032400180-S	HEX.NUT	1		
12			ED0017700040-S	BOLT	1		
13			ED0075650070-S	SP.WASHER	1		

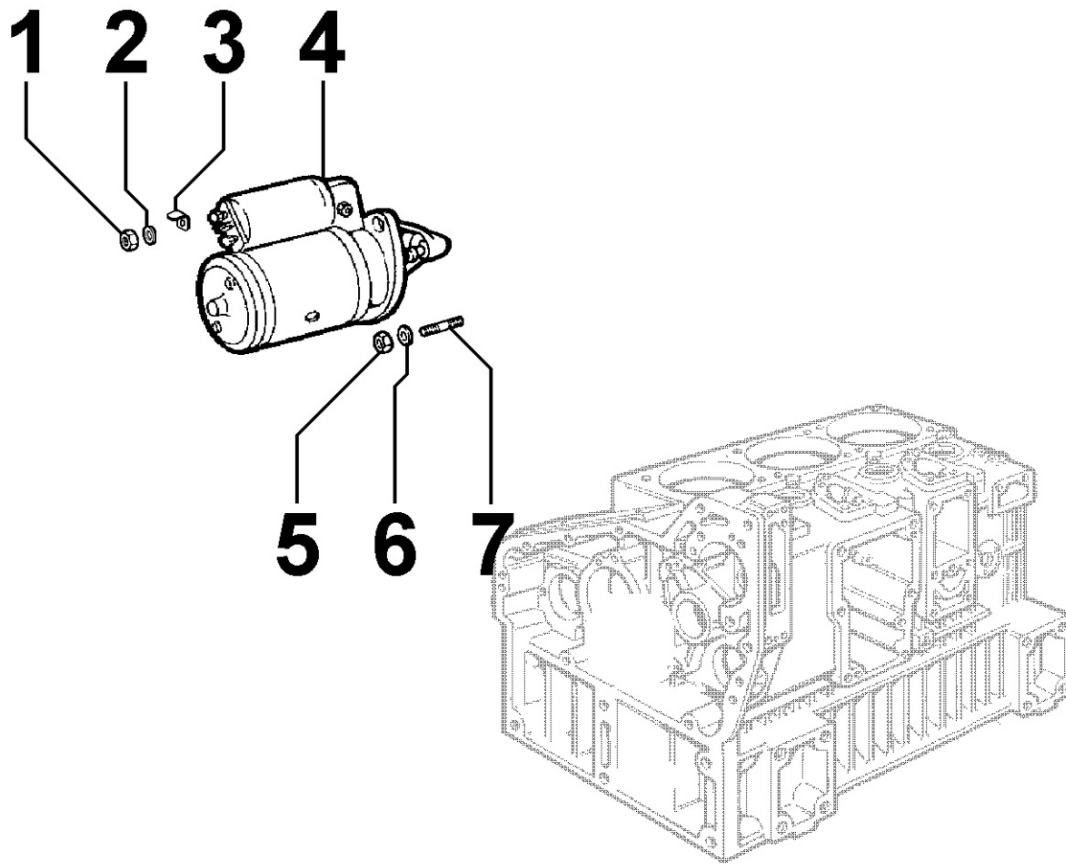


8100110030 - VOLTAGE ALTERNATOR



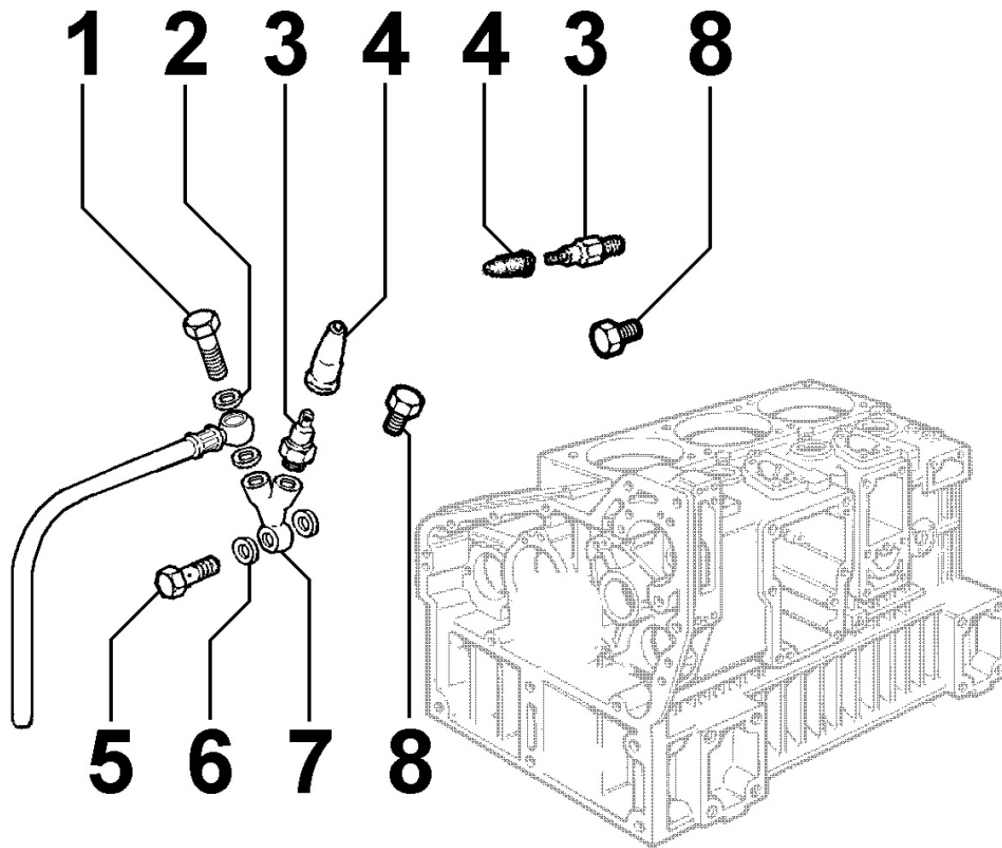
Pos	Kit	Included In	Code	Description	Qty	Old Code	Tech. Info
1			ED0036170880-S	CLAMP	1		
2			ED0021450140-S	CAP	1		
4			ED0073624050-S	Voltage regulator 24V20A+W	1		
6			ED0097320740-S	CAPSCREW	2		

**8101110020 - STARTING MOTOR**



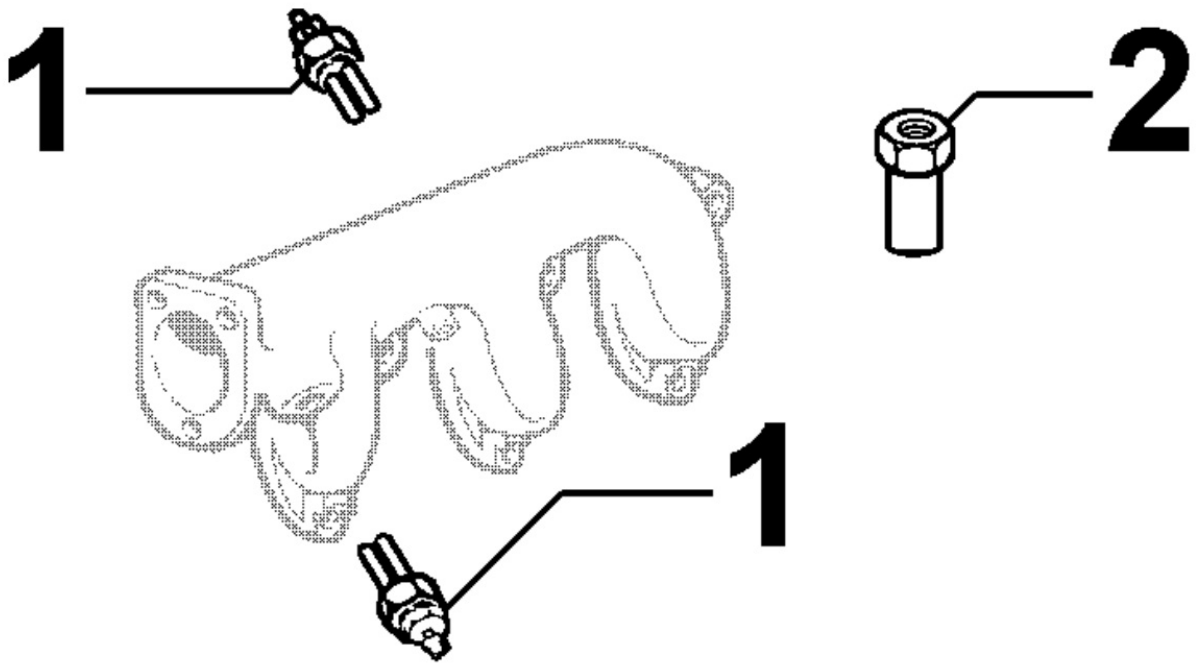
Pos	Kit	Included In	Code	Description	Qty	Old Code	Tech. Info
4			ED0058402670-S	STARTER MOTOR (ISKRA) 24V =><	1		
5			ED0032400480-S	HEX.NUT	2		
6			ED0075650130-S	ROND.ELAST./SP.WASHER S C10	2		
7			ED0068200140-S	STUD	2		

8102110020 - OIL PRESSURE SWITCH



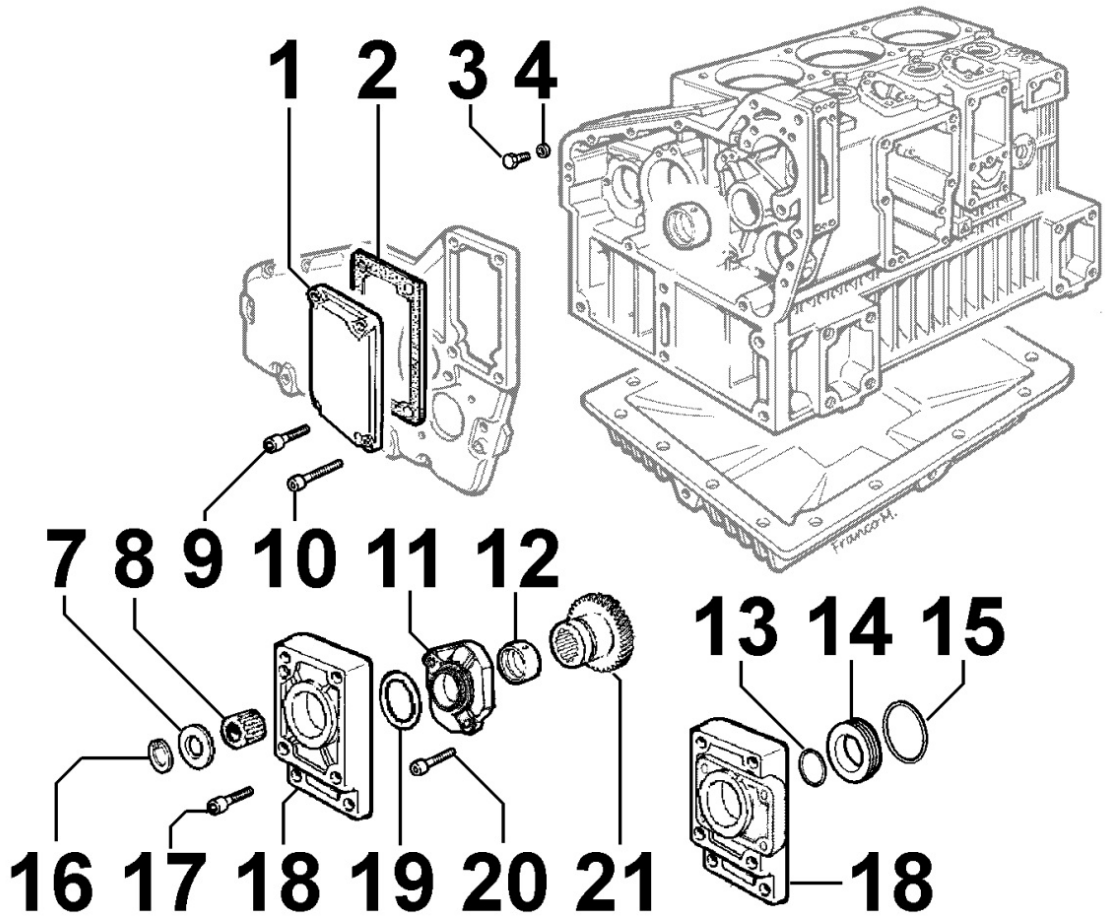
Pos	Kit	Included In	Code	Description	Qty	Old Code	Tech. Info
3			ED0067450930-S	OIL SWITCH 0,3 BAR	1		
4			ED0064910130-S	PIPE ELBOW	1		

8106110050 - GLOW PLUGS / CONTROL UNIT



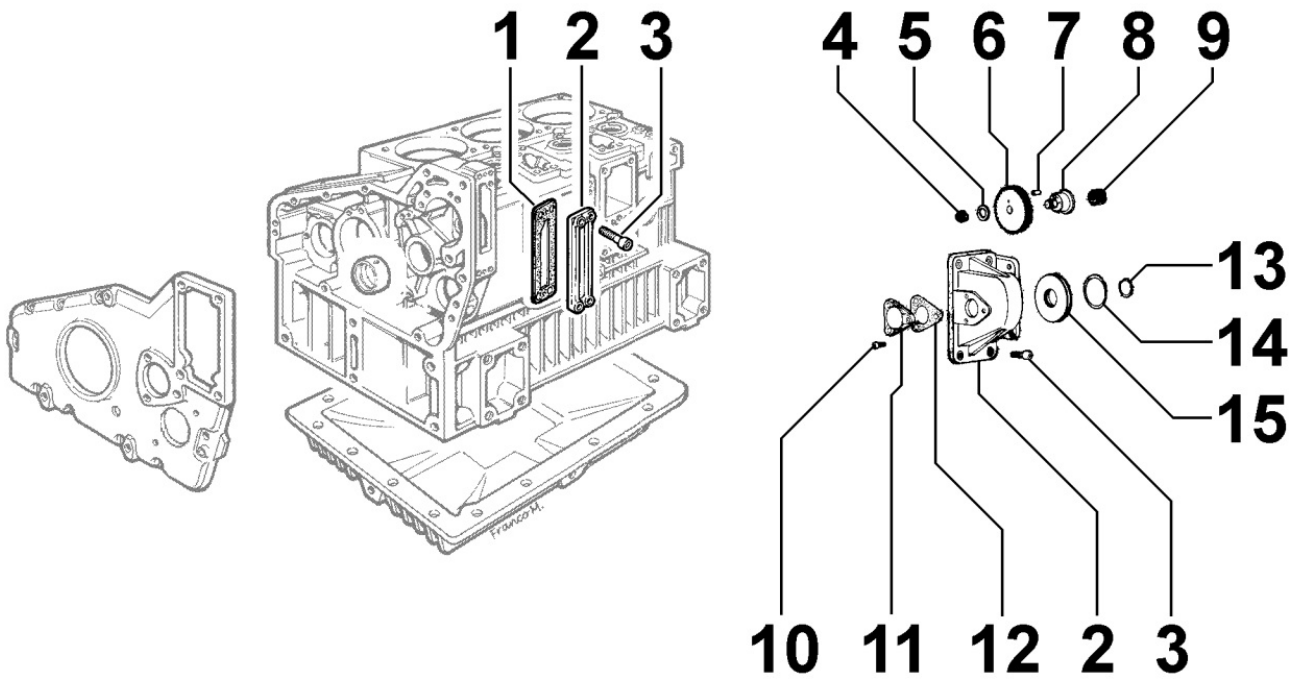
Pos	Kit	Included In	Code	Description	Qty	Old Code	Tech. Info
1			ED0021000560-S	GLOW PLUG	3		

8140110080 - HYDRAULIC PUMP ADAPTER ON 3rd PTO



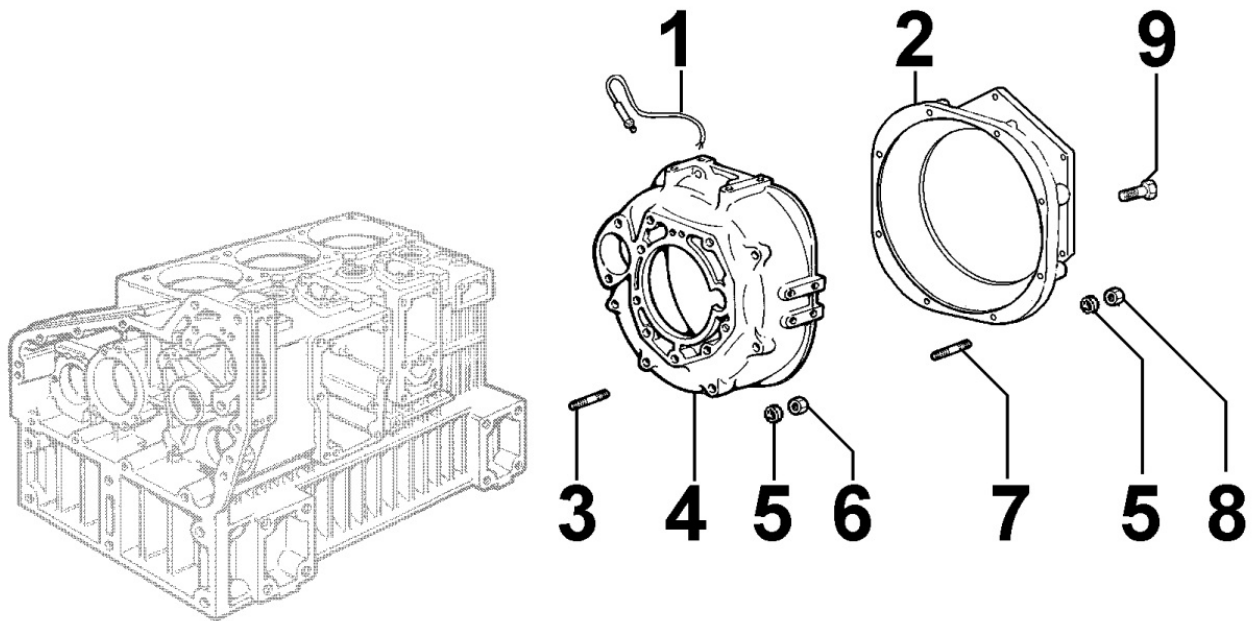
Pos	Kit	Included In	Code	Description	Qty	Old Code	Tech. Info
2			ED0045011100-S	GASKET	1		
7			ED0076260630-S	WASHER	1		
8			ED0054000540-S	COUPLING - CHD #3 PTO	1		
9			ED0097300310-S	ALLEN SCREW	3		
11	(A)		ED0087800190-S	SUPPORTO/SUPPORT D	1		
12		(A)	ED0016110290-S	BEAR.STAND.	1	ED0016100710-S	
13			ED0012010960-S	O RING	1		
14			ED0013011380-S	ANELLO/RING D	1		
15			ED0012010920-S	O RING	1		
16			ED0012400410-S	ANELLO SEEG./SNAP R. 'S 10	1		
17			ED0097320740-S	CAPSCREW	1		
18			ED0038550360-S	FLANGIA/FLANGE D	1		
20			ED0097301000-S	SCREW	3		
21			ED0049360550-S	GEAR	1		

**8145110030 - PUMP HOUSING**



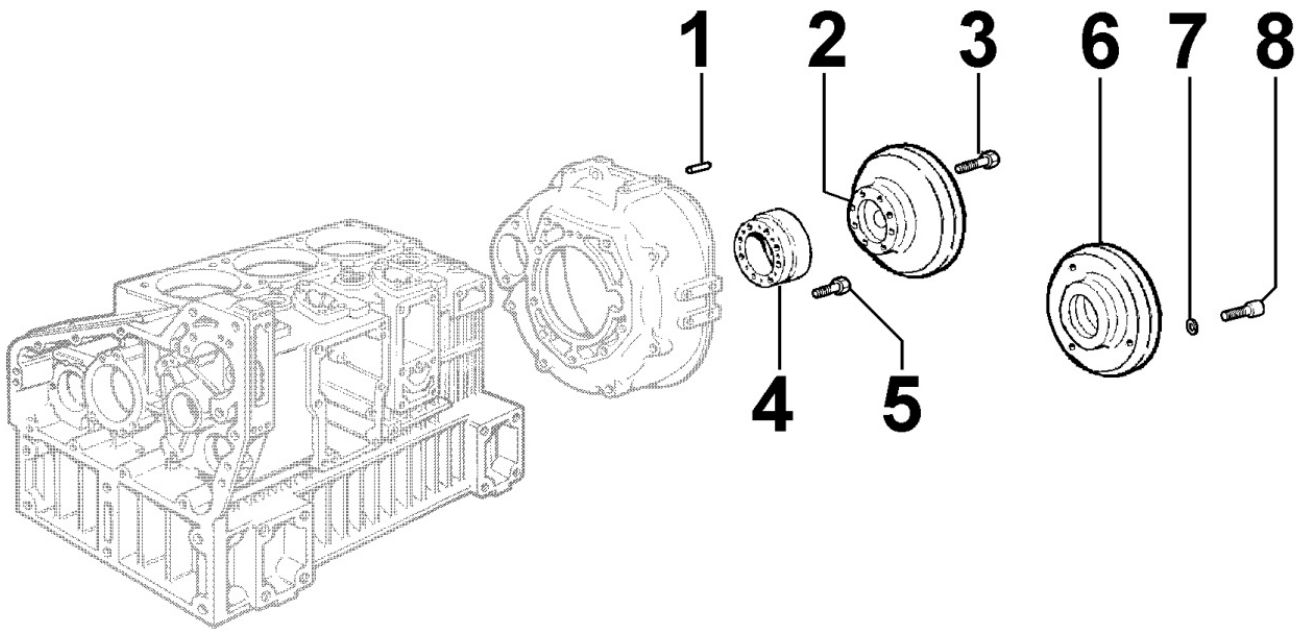
Pos	Kit	Included In	Code	Description	Qty	Old Code	Tech. Info
1			ED0044311450-S	GUARNIZIONE/GASKET DVIC10	1		
2			ED0027100620-S	SEAL COVER	1		
3			ED0097320920-S	SCREW	4		

**8160110020 - ENGINE BELL / BACKPLATE**



Pos	Kit	Included In	Code	Description	Qty	Old Code	Tech. Info
3			ED0068000040-S	STUD	11		
4			ED0020320840-S	BELL	1		
5			ED0075650110-S	LOCK WASHER M10	11		
6			ED0032400330-S	HEX.NUT	11		

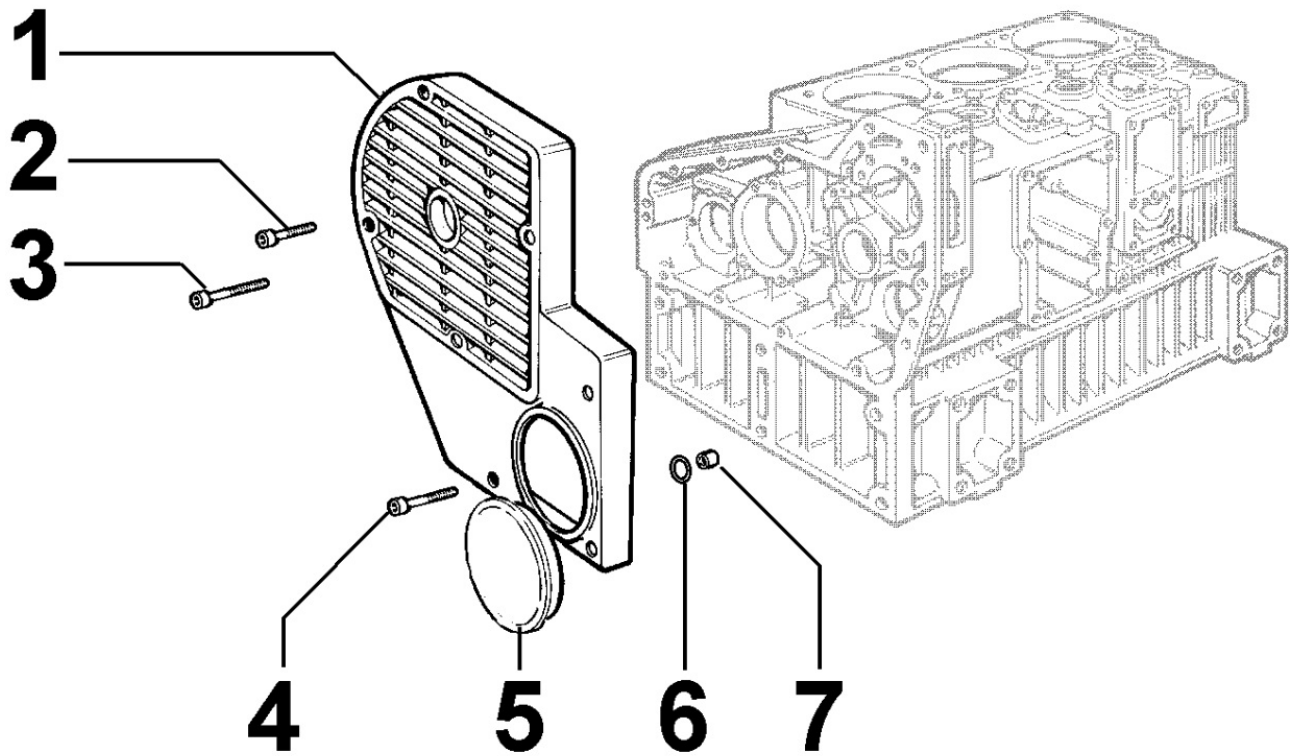
**8161110100 - CLUTCH BELL / CLUTCH SUPPORT**



Pos	Kit	Included In	Code	Description	Qty	Old Code	Tech. Info
1			ED0084000470-S	SPINA CIL./PARAL.PIN D 10	2		
3			ED0097300480-S	SCREW	8		
4			ED0038350780-S	FLANGIA/FLANGE N	1		

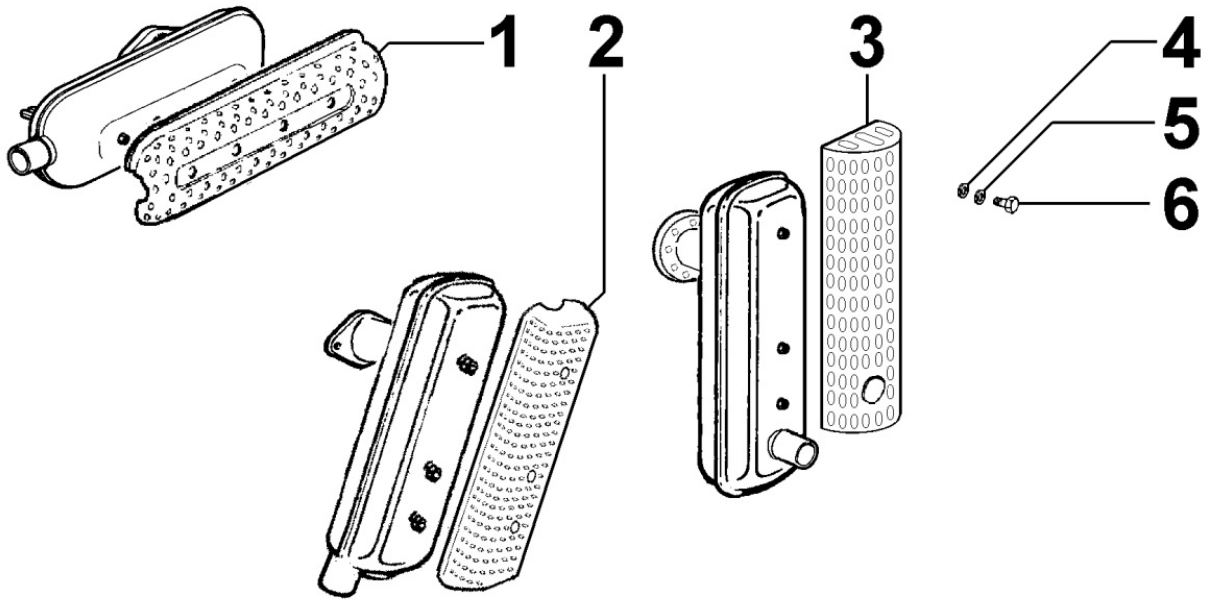


**8171110030 - BELT GUARD**



Pos	Kit	Included In	Code	Description	Qty	Old Code	Tech. Info
1			ED0069275170-S	GUARD	1		
2			ED0097320630-S	CAPSCREW	2		
4			ED0097300320-S	SCREW	5		

8176110010 - MUFFLER GUARD



Pos	Kit	Included In	Code	Description	Qty	Old Code	Tech. Info
1			ED0069271280-S	GUARD	1		
5			ED0075650070-S	SP.WASHER	3		
6			ED0017700420-S	BOLT	3		

**8198110180 - SPECIAL DETACHED COMPONENTS**

Pos	Kit	Included In	Code	Description	Qty	Old Code	Tech. Info
0			ED0036171900-S	CLAMP	1		
0			ED0087411160-S	SUPPORT	1		

**KOHLER**<sup>®</sup>  
ENGINES