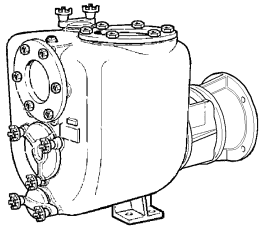
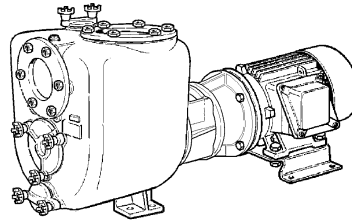


DISTINTA DELLE PARTI COSTITUENTI LE POMPE CENTRIFUGHE AUTOADESCANTI SERIE " J "

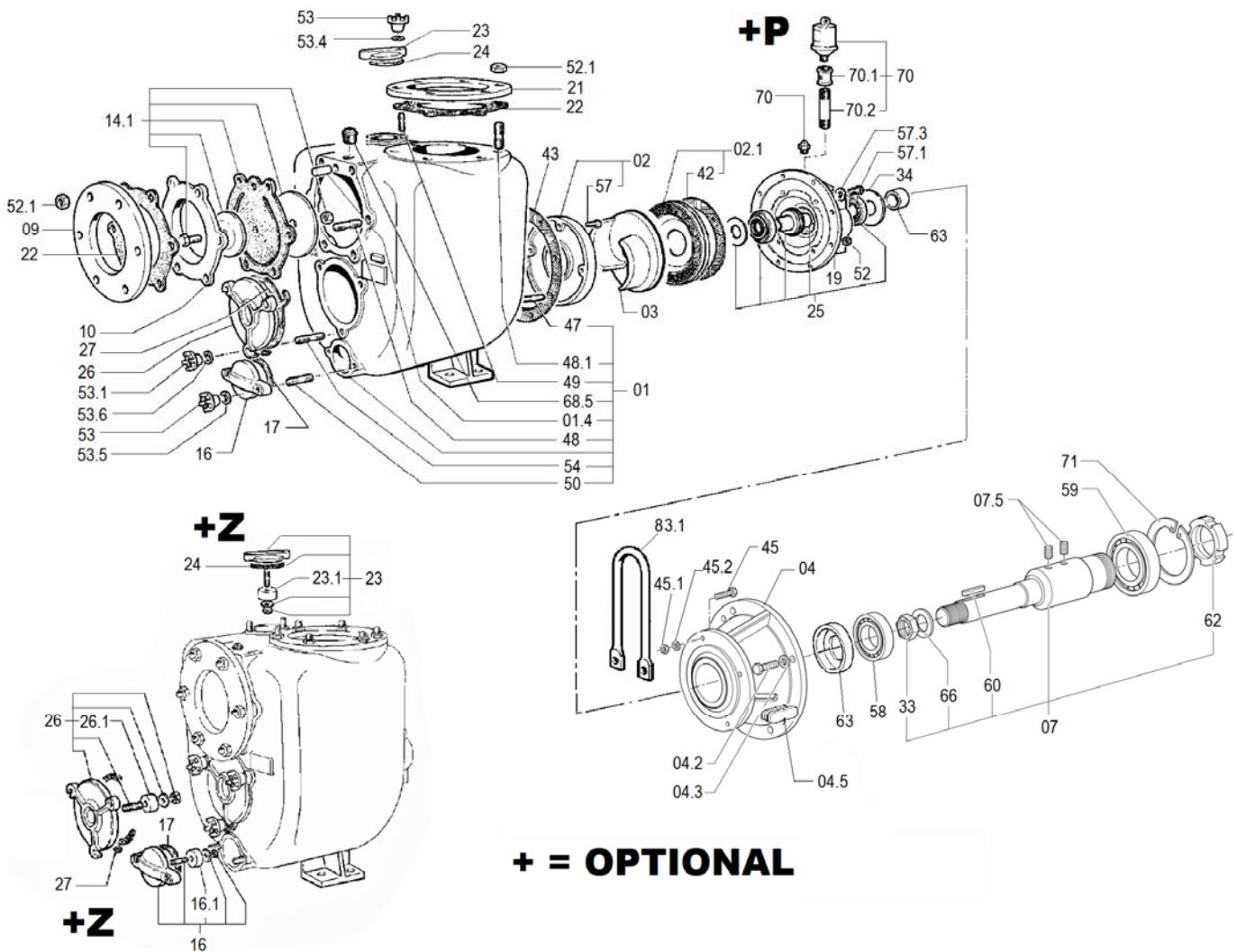
SPARE PARTS LIST FOR " J " SERIES SELF-PRIMING PUMPS

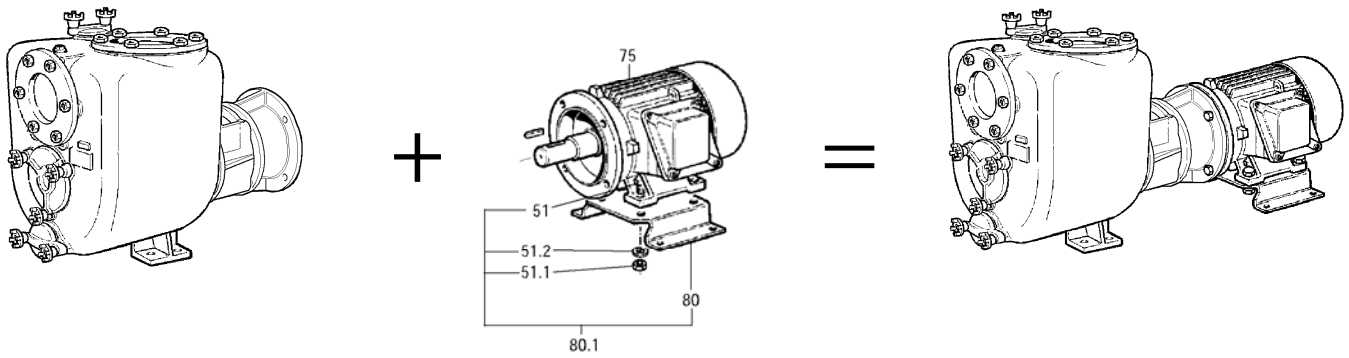


JP 6-250 G10 FT0	Code 1005 1522
JP 6-250 B10 FT0	Code 1005 4599
JP 6-250 K10 FT0	Code 1005 1538
JP 6-250 F10 FT0	Code 1005 4601
JP 6-250 Q10 FT0	Code 1005 4605
JP 6-250 P10 FT0	Code 1005 4603



JE 6-250 G10 FT40	Code 1005 1521
JE 6-250 B10 FT40	Code 1005 4600
JE 6-250 K10 FT40	Code 1005 1539
JE 6-250 F10 FT40	Code 1005 4602
JE 6-250 Q10 FT40	Code 1005 4606
JE 6-250 P10 FT40	Code 1005 4604





JP + MOTORE / MOTOR = JE

Rif. N°. Pos. Nr.	Quant.	Denominazione	Part name	Den. Comm. Type	Mat. *	Codice Nuovo New Part. No.	JP 6-250 G10 FT0	JP 6-250 B10 FT0	JP 6-250 K10 FT0	JP 6-250 F10 FT0	JP 6-250 Q10 FT0	JP 6-250 P10 ET0
01	1	Corpo (1)	Casing (1)		G	1002 3930	○			○	○	○
					B	1002 3931		○				
					K	1002 3932			○			
01.4	1	Spina	Spring pin	UNI 6873 5 x 10	S	1000 1775	○	○	○	○	○	○
02	1	Piatto d'usura (2)	Wear plate (2)		GN	1000 8429	○					
					K	1001 7998			○	○		
					B	1000 8405		○			○	
					G	1000 8433						○
02.1	1	Piatto d'usura (3)	Wear plate (3)		GN	1002 3925	○					
					K	1002 3928			○	○		
					B	1002 3927		○			○	
					G	1002 3926						○
03	1	Girante	Impeller		GS	1000 5458	○					
					K	1000 5428			○	○		
					B	1000 5447		○			○	
					G	1000 5458						○
04	1	Campana	Coupling flange		G	1005 1043	○	○	○	○	○	○
04.2	4	Vite	Screw	M 16 x 50 DIN 933	S	1000 1975	○					
				M 16 x 55 DIN 933	K	1000 2071		○	○	○	○	
04.3	4	Dado	Nut	M 16 DIN 934	S	1000 1425	○					
					K	1000 1442		○	○	○	○	
04.5	1	Tappo	Plug			1000 2908	○	○	○	○	○	○
07	1	Albero (4)	Shaft (4)		S	1005 1518	○					
					K5	1005 1517		○	○	○	○	
07.5	2	Vite	Screw	M 8x10 DIN 916		1004 8377	○	○	○	○	○	○
09	1	Flangia aspirazione	Suction flange	DN 150 D.I. 1882	S	1000 1499	○	○		○	○	○
					K	1002 1144			○			
10	1	Portavalvola	Suction flange		G	1000 6431	○			○		
					OTS	1000 6402		○			○	○
					K	1000 6452			○			
14.1	1	Valvola completa	Check valve ass.		NG	1000 9026	○	○				
					VK	1000 9036			○	○	○	○
16	1	Portina	Cover		G	1000 6474	○			○		○
					GZ	1000 8503	+Z				○	
					OTS	1000 3749		○				
					K	1000 6503				○		
16.1	2	Placca zinco	Zinco anode		Z	1000 3818	+Z					
17 (**)	1	Guarnizione	Gasket	72 x 95 x 3								
19	1	Portamotore	Head		G	1002 1216	○			○	○	○
					B	1002 1276		○				
					K	1002 1332			○			
21	1	Flangia mandata	Discharge flange	DN 150 D.I. 1882	S	1000 1481	○	○		○	○	○
					K	1000 1545			○			
22 (**)	2	Guarnizione	Gasket	150 x 285 x 3								
23	1	Portina	Cover		G	1000 6474	○			○		○
					GZ	1000 8503	+Z				○	
					OTS	1000 3749		○				
					K	1000 6503			○			

Rif. N°. Pos. Nr.	Quant.	Denominazione	Part name	Den. Comm. Type	Mat. *	Codice Nuovo New Part. No.	JP 6-250 G10 FT0	JP 6-250 B10 FT0	JP 6-250 K10 FT0	JP 6-250 F10 FT0	JP 6-250 Q10 FT0	JP 6-250 P10 ET0
							+Z					
23.1	2	Placca zinco	Zinco anode		Z	1000 3818	+Z					
24 (**)	1	Guarnizione	Gasket	72 x 95 x 3								
25	1	Anello di tenuta compl.	Mechanical seal ass.	T45 YYN ND T 45 GWV BT T 45 YYV ND		1002 1228 1002 3973 1002 1309	○	○				○
26	1	Portina	Cover		G GZ OTS K	1000 6477 1000 8505 1000 3751 1000 6505	○ +Z	○		○		○
26.1	2	Placca zinco	Zinco anode		Z	1000 3818	+Z					
27 (**)	1	Guarnizione	Gasket									
33	1	Dado blocca girante	Impeller nut	M 30 x 2 UNI 7474 M 30 x 2 UNI 7474	H K	1000 1466 1000 1473	○					○
42 (**)	1	Guarnizione piatto	Wear plate gasket									
43 (**)	1	Guarnizione corpo	Casing gasket									
45	2	Vite	Screw	M 12 x 35 DIN 933 M 12 x 45 DIN 933 M 12 x 35 DIN 933 M 12 x 45 DIN 931	S S K K	1000 1961 1000 1963 1000 2067 1000 2056	○ ○		○	○	○	○
45.1	4	Dado	Nut	M 12 DIN 934	S K	1000 1422 1000 1439	○	○	○	○	○	○
45.2	4	Rondella	Washer	M 12 UNI 1751/52 A	S K	1000 1681 1000 1685	○	○	○	○	○	○
47 (*)	8	Prigioniero	Stud	M 12 x 25 DIN 938	S K		○		○	○	○	○
48 (*)	6	Prigioniero	Stud	M 16 x 55 DIN 938 M 16 x 60 DIN 938	S K	1000 1832 1000 1851	○	○	○	○	○	○
48.1 (*)	6	Prigioniero	Stud	M 16 x 35 DIN 938	S K		○	○	○	○	○	○
49 (*)	2	Prigioniero	Stud	M 10 x 35 DIN 938	S K		○	○	○	○	○	○
50 (*)	2	Prigioniero	Stud	M 10 x 35 DIN 938	S K		○	○	○	○	○	○
51	4	Vite	Screw	M 12 x 45 DIN 933	S	1000 1962	○	○	○	○	○	○
51.1	4	Dado	Nut	M 12 DIN 934	S	1000 1422	○	○	○	○	○	○
51.2	4	Rondella	Washer	M 12 DIN 125 A	S	1000 1699	○	○	○	○	○	○
52 (*)	8	Dado	Nut	M 12 DIN 934	S K		○	○	○	○	○	○
52.1 (*)	12	Dado	Nut	M 16 DIN 934	S K		○	○	○	○	○	○
53 (*)	2	Maniglietta Dado	Wrench Nut	M 10 M 10 DIN 934	OTS K		○	○	○	○	○	○
53.1 (*)	3	Maniglietta Dado	Wrench Nut	M 12 M 12 DIN 934	OTS K		○	○	○	○	○	○
53.2 (*)	2	Maniglietta Dado	Wrench Nut	M 10 M 10 DIN 934	OTS K		○	○	○	○	○	○
53.4 (*)	2	Rondella	Washer	M 10 DIN 125 A	K			○	○			
53.5 (*)	2	Rondella	Washer	M 10 DIN 125 A	K			○	○			
53.6 (*)	3	Rondella	Washer	M 12 DIN 125 A	K			○	○			
54 (*)	3	Prigioniero	Stud	M 12 x 30 DIN 938	S K		○	○	○	○	○	○
55	4	Vite	Screw	M 6 x 25 DIN 933	S	1002 8349	○	○	○	○	○	○
57 (*)	4	Vite	Screw	M 10 x 20 DIN 912	H K		○	○	○	○	○	○
57.1 (*)	4	Vite	Screw	M 12 x 25 DIN 933	S K		○	○	○	○	○	○
57.3 (*)	4	Rondella	Washer	M 12 DIN 125A	S K		○	○	○	○	○	○
58	1	Cuscinetto	Ball bearing	62208 2RS		1005 4291	○	○	○	○	○	○
59	1	Cuscinetto	Ball bearing	3211-B-2RSR		1005 6717	○	○	○	○	○	○
60	1	Linguetta	Key	10 x 8 x 40 DIN6885A	K	1000 1626	○	○	○	○	○	○
62	1	Ghiera	Lock ring	M 55	S	1005 0469	○	○	○	○	○	○
63	1	Ghiera		35 x 50 x 10	S	1002 1222	○	○	○	○	○	○
66	1	Rondella	Washer	M 30 DIN 125A	H K	1000 1716 1000 1715	○	○	○	○	○	○
68.5 (*)	1	Tappo	Plug	1/4"	G K	1000 2379 1000 2414	○	○	○	○	○	○

VARISCO S.p.A.

35129 Padova - Z.I. Nord Terza Strada, 9

Tel. 049 82 94 111

Fax 049 82 94 373

+39 049 82 94 111

International +39 049 80 76 762



varisco
solid pumping solutions

Rif. N°. Pos. Nr.	Quant.	Denominazione	Part name	Den. Comm. Type	Mat. *	Codice Nuovo New Part. No.	JP 6-250	G10	F10	JP 6-250	B10	F10	JP 6-250	K10	F10	JP 6-250	F10	F10	JP 6-250	Q10	F10	JP 6-250	P10	ET0
							○	○	○	○	○	○	○	○	○	○	○	○	○	○	○	○	○	○
70 (*)	1	Ingrassatore Cartuccia Perma	Grease nipple Perma cartridge	1/4"		1000 1662 1000 8316	○	○	○	○	○	○	○	○	○	○	○	○	○	○	○	○	○	○
70.2	1	Manicotto	Union	1/4"	G	1000 2352	+P	+P	+P	+P	+P	+P	+P	+P	+P	+P	+P	+P	+P	+P	+P	+P	+P	+P
70.3	1	Prolunga	Grease tube	1/4"	S	1000 6955	+P	+P	+P	+P	+P	+P	+P	+P	+P	+P	+P	+P	+P	+P	+P	+P	+P	+P
71	1	Seeger	Seeger	D.100 UNI 7437	S	1005 0470	○	○	○	○	○	○	○	○	○	○	○	○	○	○	○	○	○	○
75	1	Motore V.400-690(trifase)	A.C. Motor V.400-690(Three phase)	11 kW- B35 IP55		1004 2943	○	○	○	○	○	○	○	○	○	○	○	○	○	○	○	○	○	○
80	1	Piede motore	Motor base		S	1004 3159	○	○	○	○	○	○	○	○	○	○	○	○	○	○	○	○	○	○
80.1	1	Kit piede motore	Electric motor foot			1004 3182	○	○	○	○	○	○	○	○	○	○	○	○	○	○	○	○	○	○
83.1	1	Gancio di sollevam.	Lifting hook		S	1004 3806	○	○	○	○	○	○	○	○	○	○	○	○	○	○	○	○	○	○
(*)		Serie viterie	Set of screws			1001 4213 1001 4221 1002 1291	○																	
(**)		Serie guarnizioni	Set of gaskets		N V V	1001 4214 1002 4037 1002 4038	○	○																
+P***		Kit ingrassatore	Compl. Grease kit				○	○	○	○	○	○	○	○	○	○	○	○	○	○	○	○	○	○
+Z***		Kit portine	Set of couver		GZ	1001 4325	○																	
***		Optional																						

Note:	Notes:
1) Completo di prigionieri (47, 48, 49, 50, 54) e tappo (68.5).	1) Complete with studs (47, 48, 49, 50, 54) and plug (68.5).
2) Completo di viti (57).	2) Complete with screws (57).
3) Completo di guarnizione (42).	3) Complete with gasket (42).
4) Completo di dado (33), rondella (66), linguette (60,61) e ghiera (62) e viti 07.5	4) Complete with nut (33), washer (66), keys (60,61) and lock ring (62) and screw 07.5
* Materiali di costruzione	* Construction material
B = Bronzo	B = Bronze
G = Ghisa	G = Cast iron
GS = Ghisa sferoidale	GS = Ductile cast iron
H = Acciaio INOX AISI 304	H = AISI 304 Stainless steel
K = Acciaio INOX AISI 316	K = AISI 316 Stainless steel
K5 = Acciaio INOX SAF 2205	K5 = SAF2205 Stainless steel
N = Gomma nitrile	N = Nitrile rubber
OTS = Ottone	OTS = Brass
S = Acciaio	S = Steel
V = Viton	V = Viton
Z = Zinco	Z = Zinc
Ordinare il materiale indicando sempre la quantità, la denominazione, il codice del pezzo, il tipo ed il numero della pompa.	When ordering spares always indicate type and serial number of pump, quantity, part name, and number.