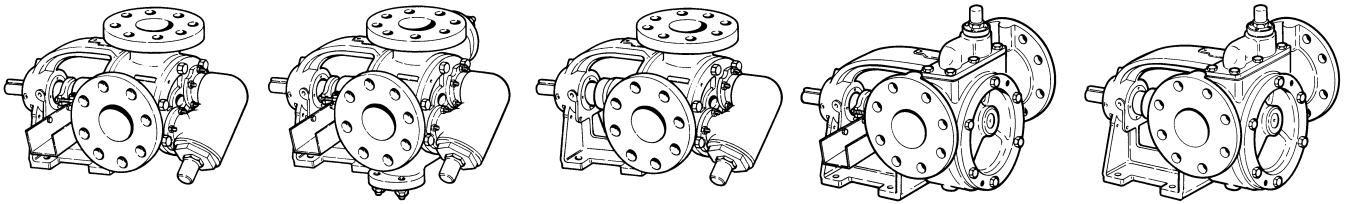


**DISTINTA DELLE PARTI COSTITUENTI LE POMPE ROTATIVE VOLUMETRICHE SERIE "V"**  
 SPARE PARTS LIST FOR "V" SERIES POSITIVE-DISPLACEMENT ROTARY PUMPS  
 LISTE DES PIECES DE RECHANGE POUR POMPES ROTATIVES VOLUMETRIQUES SERIE "V"  
 ERSAZTEILLISTE FÜR SELBSTANSAUGENDE INNENZAHNRADPUMPEN SERIE "V"



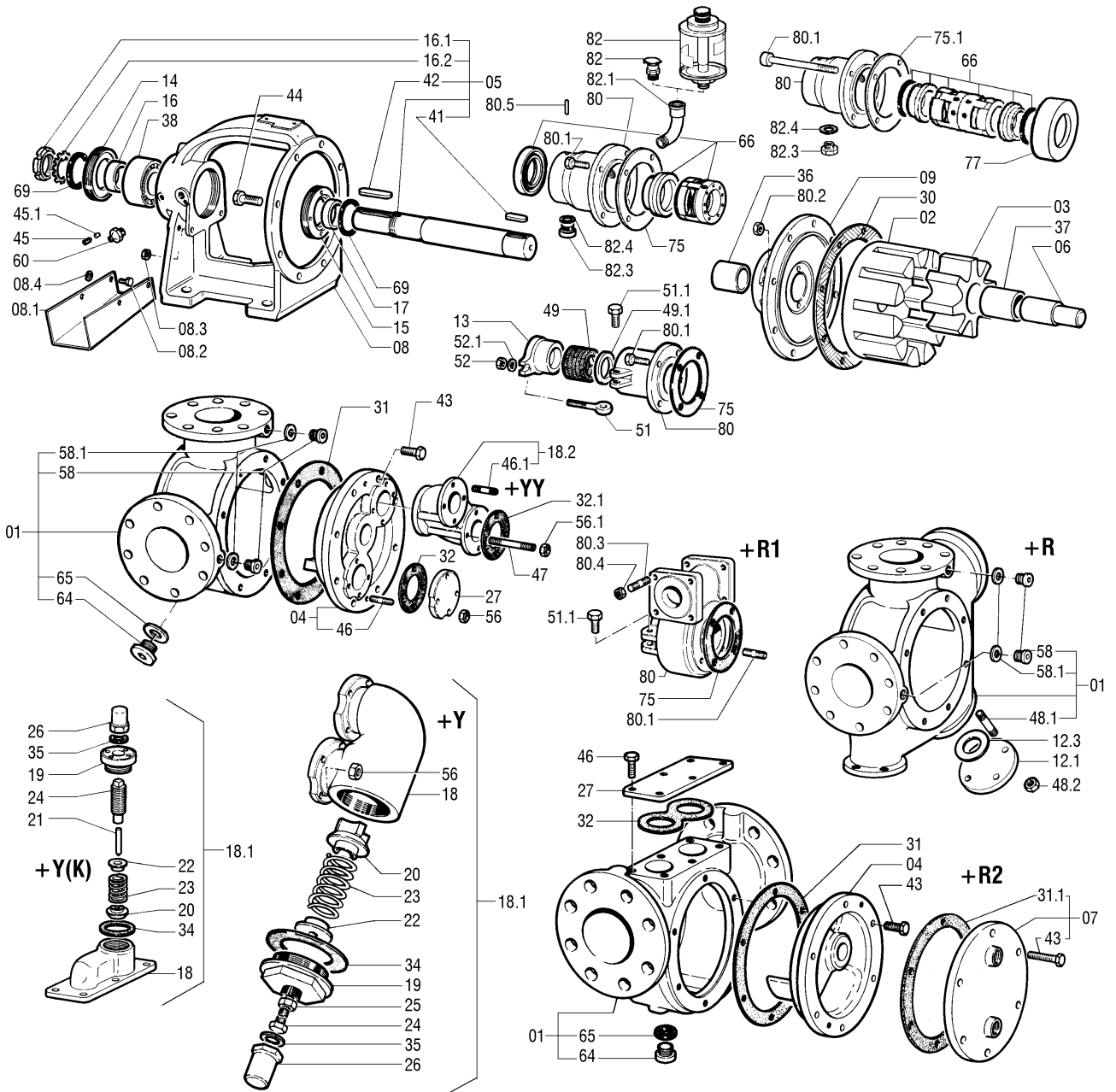
V 80-2 SP Code 1001 0288  
 V 80-2 SPG Code 1001 0293

V 80-2 SPHTR Code 1001 0288

V 80-2 ST4WG Code 1001 0316  
 V 80-2 ST4BS Code 1001 0312

V 80-2 SPK +B+Y  
 Code 1002 6563

V80-2 ST6WAW Code 1001 8950  
 V80-2 ST4K Code 1001 0355  
 V80-2 ST8K Code 1001 8761



Rif. N°. Pos. Nr.	Quant.	Denominazione	Part name	Den. Comm. Type	Mat.*	Codice Vecchio Old Part No.	Codice Nuovo New Part No.	V 80-2 SP	V 80-2 SPG	V 80-2 SPHTR	V 80-2 STAWG	V 80-2 STARS	V 80-2 ST6WAW	V 80-2 SPK+B+Y	V 80-2 ST4K	V 80-2 STBK	
01	1	Corpo (1)	Casing (1)		GS	5319 3022	1000 8055	○	○								
					GS	5319 3023	1000 8056	①	①	○	①	①					
					SH	5319 4017	1002 0459							○			
					K	5319 5023	1000 8068								○	○	○
02	1	Rotore	Rotor		GS	3765 3010	1000 6590	○	○	○	○	○					
					SH	3765 4015	1000 6628						○				
					K	3765 5005	1000 6663								○	○	○
03	1	Ruota oziosa	Idler		GS	3780 3013	1000 6738	○	○	○	○						
					GSH	3780 3015	1000 6740						○				
					SH	3780 4013	1000 6791							○			
					K	3780 5006	1000 6818								○	○	○
04	1	Coperchio	Cover		G	3270 3010	1000 4670	○	○	○	○	○					
					SH	3270 4012	1000 4712							○			
					K	3270 5005	1000 4724								○	○	○
05	1	Albero (4)	Shaft (4)	D.40	SH	5032 4009	1000 7619	○	○	○	○	○					
					K9	5032 5032	1000 7629						○		○	○	○
06	1	Perno	Idler pin	D.40	T2	3540 4040	1000 5906	○	○	○	○						
					K9	3540 5037	1000 5940						○		○	○	○
				D.50	T3	3540 4048	1000 5913							○			
07	1	Camera di prerisc. (5)	Heating jacket (5)		S		1002 4496							②	②	②	
08	1	Supporto	Bearing housing		G	3872 3012	1000 6890	○	○	○	○	○	○	○	○	○	
08.1	1	Colatoio	Drip tray		S	3435 4002	1000 5478	○	○	○							
					K	3435 5002	1000 5484								○		
08.2	2	Vite	Screw	M 8 x 20 DIN 933	S	1478 4010	1000 1937	○	○	○							
					K	1478 5008	1000 2027								○		
08.3	2	Dado	Nut	M 8 DIN 934	S	1420 4004	1000 1420	○	○	○							
					K	1420 5004	1000 1435								○		
08.4	2	Rondella	Washer	M 8 DIN 125 A	S	1450 4003	1000 1689	○	○	○							
					K	1450 5016	1000 1718								○		
09	1	Flangia supporto	Rear cover		GS	3375 3010	1000 5148	○	○	○							
					GS	3375 3022	1000 5153					○	○	○			
					K	3375 5015	1000 5174								○	○	
					K	3375 5030	1000 5182									○	
12.1	1	Flangia	Flange	DN20 PN16 UNI 6093	S	3362 4001	1000 5132	①	①	○	①	①					
12.3	1	Guarnizione	Gasket	28 x 60 x 2	E3	3450 0258	1000 5595	①	①	○	①	①					
13	1	Premitreccia	Gland		G	3690 3005	1000 6517	○	○	○							
					K	3690 5004	1000 6526								○		
14	1	Copricuscinetto	Bearing cover		G	3287 3016	1000 4803	○	○		○	○	○	○	○	○	
					G	3287 3018	1000 4805	①	①	○	①	①					
15	1	Copricuscinetto	Bearing cover		G	3287 3017	1000 4804	○	○		○	○	○	○	○	○	
					G	3287 3019	1000 4806	①	①	○	①	①					
16	1	Ghiera	Sleeve	35 x 45 x 15	H	3107 5505	1000 4259	○	○	○	○	○	○	○	○		
16.1	1	Ghiera	Sleeve	M 35 x 1,5	S	1430 4003	1000 1572	○	○	○	○	○	○	○	○		
16.2	1	Rondella	Washer	MB7 UNI 3073 D.35	S	1452 4002	1000 1721	○	○	○	○	○	○	○	○		
17	1	Ghiera	Sleeve	35 x 45 x 15	H	3107 5505	1000 4259	○	○	○	○	○	○	○	○		
18	1	Corpo By-pass	By-pass casing		G	3240 3016	1000 4458	③	③	③	③	③					
					G	3240 3016	1000 4458	④	④	④	④	④					
					K	3240 5013	1000 4501								③	③	③
					K	3240 5013	1000 4501								④	④	④
18.1	1	By-pass	By-pass		G	5090 3012	1000 7740	③	③	③	③	③					
					G	5090 3012	1000 7740	④	④	④	④	④					
					K	5090 5003	1000 7758								③	③	③
18.2	1	Raccordo doppio	Double manifold		G	3240 3025	1000 4463	④	④	④	④	④					
19	1	Coperchio By-pass	By-pass cover		G	3240 3002	1000 4449	③	③	③	③	③					
					G	3240 3002	1000 4449	④	④	④	④	④					
					KNM	3240 5062	1000 4536								③	③	③
20	1	Valvola By-pass	By-pass check valve		G	3240 3028	1000 4467	③	③	③	③	③					
					G	3240 3028	1000 4467	④	④	④	④	④					
					K	3240 5028	1000 4511								③	③	③
21	1	Perno By-pass	By-pass idler pin		K	3240 5050	1000 4525							③	③	③	
22	1	Piattello By-pass	By-pass plate		S	3240 3022	1000 4462	③	③	③	③	③					
					S	3240 3022	1000 4462	④	④	④	④	④					
					K	3240 5019	1000 4504								③	③	③

VARISCO S.p.A.

Terza Strada, 9 - Z.I. Nord - 35129 Padova - Italy

Tel. 049 82 94 111 +39 049 82 94 111

Fax 049 82 94 373 International +39 049 80 76 762

**varisco**  
solid pumping solutions

Rif. N°. Pos. Nr.	Quant.	Denominazione	Part name	Den. Comm. Type	Mat.*	Codice Vecchio Old Part No.	Codice Nuovo New Part No.	V 80-2 SP	V 80-2 SPG	V 80-2 SPHTR	V 80-2 ST4WG	V 80-2 ST4BS	V 80-2 ST6WAW	V 80-2 SPK+B+Y	V 80-2 ST4K	V 80-2 ST8K	
23	1	Molla By-pass	By-pass spring	D. 8 x 42 x 95 x 15,5	SHT	3495 4020	1000 5789	③	③	③	③	③					
	2			D. 8 x 42 x 95 x 15,5	SHT	3495 4020	1000 5789	④	④	④	④	④					
	1			D. 7 x 31 x 59 x 11	K	3495 5020	1000 5806								③	③	③
24	1	Vite By-pass	By-pass screw	M 10 x 60 DIN 933	H	1478 5036	1000 2049	③	③	③	③	③					
	2				H	1478 5036	1000 2049	④	④	④	④	④					
	1				K	3240 5060	1000 4533								③	③	③
25	1	Dado	Nut		H	1420 5005		③	③	③	③	③					
26	1	Cappello By-pass	By-pass cap		A	3240 1000	1000 4439	③	③	③	③	③					
	2				A	3240 1000	1000 4439	④	④	④	④	④					
	1				K	3240 5059	1000 4532								③	③	③
27	2	Flangia By-pass	By-pass flange		G	3362 3004	1000 5126	○	○	○	○	○					
	1				K	3362 5001	1000 5137							○	○	○	○
30 (**)	1	Guarnizione corpo	Casing gasket	201 x 249 x 0,5 -8F													
31 (**)	1	Guarnizione coperchio	Cover gasket	201 x 249 x 0,5 -6F													
31.1	1	Guarnizione	Gasket	201 x 249 x 0,5 -6F	E3	3450 0105	1000 5524							②	②	②	
32 (**)		Guarnizione	Gasket	51 x 94 x 0,5													
32.1	4	Guarnizione	Gasket		E3	3450 0006	1000 5494	④	④	④	④	④					
34	1	Guarnizione	Gasket	68 x 82 x 0,5	E3	3450 0019	1000 5504	③	③	③	③	③		③	③	③	
	2				E3	3450 0019	1000 5504	④	④	④	④	④					
35	1	Guarnizione	Gasket	20 x 34 x 0,5	E3	3450 0012	1000 5498	③	③	③	③	③		③	③	③	
	2				E3	3450 0012	1000 5498	④	④	④	④	④					
36	1	Bronzina supporto	Bearing bush	40 x 50 x 50	G	3120 3032	1000 4355		○		○						
					AD10	3120 2032	1000 4307	○		○				○	○		
					GR	3120 0023	1000 4272						○				○
					W	3120 4024	1000 4373							○			
37	1	Bronzina ruota oziosa	Idler bush	40 x 50 x 75	G	3120 3031	1000 4354		○		○						
					AD10	3120 2026	1000 4303	○		○				○	○		
					GR	3120 0014	1000 4265						○				○
					W	3120 4019	1000 4368							○			
38	1	Cuscinetto	Ball bearing	3307 HT	S	1418 0089	1000 1386	○	○	○	○	○	○	○	○	○	
41	1	Linguetta	Key	10 x 8 x 36 DIN 6885A	S	1434 4017	1000 1595	○	○	○	○	○	○	○	○	○	
					K	1434 5009	1000 1625					○	○	○	○	○	○
42	1	Linguetta	Key	10 x 8 x 70 DIN 6885A	S	1434 4020	1000 1598	○	○	○	○	○	○	○	○	○	
43 (*)	6	Vite	Screw	M 12 x 30 DIN 933	S			○	○	○	○	○					
				M 12 x 25 DIN 933	K							○	○	○	○		
				M 12 x 40 DIN 933	K	1478 5042	1000 2054							②	②	②	
44 (*)	8	Vite	Screw	M 10 x 35 DIN 933	S			○	○	○	○	○					
					K								○	○	○	○	
45 (*)	2	Vite	Screw	M 6 x 12 DIN913	S			○	○	○	○	○	○	○	○	○	
45.1 (*)	2	Pastiglia	Shim	D. 4,8 x 3	R			○	○	○	○	○	○	○	○	○	
46 (*)	8	Prigioniero	Stud	M 10 x 20 DIN 938	S			○	○	○	○	○					
					6	Vite	Screw	M 10 x 30 DIN 933	K						○	○	○
46.1	8	Prigioniero	Stud	M 10 x 20 DIN 938	S	1468 4020	1001 7918	④	④	④	④	④					
47	8	Prigioniero	Stud	M 10 x 105	S	3975 4002	1000 6908	④	④	④	④	④					
48.1	12	Prigioniero	Stud	M 12 x 30 DIN 938	S	1468 4010	1000 1827	①	①	○	①	①					
48.2	12	Dado	Nut	M 12 DIN 934	S	1420 4006	1000 1422	①	①	○	①	①					
49	1	Baderna	Packing	40 x 60 x 10 x 5	TE	5060 0027	1000 7647							○			
				40 x 60 x 10 UP3075		5060 0008	1000 7642	①	①	○							
49.1	1	Anello	Ring	40 x 60 x 5	K	3045 5018	1000 4091	○	○	○				○			
51	2	Tirante	Eyebolt	M 10 x 60 DIN 444B	H	1466 5002	1000 1815	○	○	○				○			
51.1	2	Vite	Screw	M 10 x 30 DIN 933	S	1478 4026	1000 1949	○	○	○							
					K	1478 5027	1000 2044								○		
52	2	Dado	Nut	M 10 DIN 934	S	1420 4005	1000 1421	○	○	○							
					K	1420 5006	1000 1437								○		
52.1	2	Rondella	Washer	M 10 DIN 125A	S	1450 4005	1000 1691	○	○	○							
					K	1450 5001	1000 1704								○		
56 (*)	8	Dado	Nut	M 10 DIN 934	S			○	○	○	○	○					
56.1	16	Dado	Nut	M 10 DIN 934	S	1420 4005	1000 1421	④	④	④	④	④					
58 (*)	2	Tappo	Plug	R 1/4" DIN 908	S			○	○	○	○	○					
58.1 (**)	2	Guarnizione	Gasket	1/4"													
60 (*)	1	Ingrassatore	Grease nipple	1/4"	S			○	○	○	○	○	○	○	○	○	
64 (*)	2	Tappo	Plug	R 1/2" DIN 908	S			○	○		○	○					
					K								○	○	○	○	
65 (**)	2	Guarnizione	Gasket	1/2"													

VARISCO S.p.A.

Terza Strada, 9 - Z.I. Nord - 35129 Padova - Italy

Tel. 049 82 94 111

Fax 049 82 94 373

+39 049 82 94 111

International +39 049 80 76 762

 **varisco**  
solid pumping solutions

Rif. N°. Pos. Nr.	Quant.	Denominazione	Part name	Den. Comm. Type	Mat.*	Codice Vecchio Old Part No.	Codice Nuovo New Part No.	V 80-2 SP	V 80-2 SPG	V 80-2 SPHTR	V 80-2 ST4WG	V 80-2 ST4BS	V 80-2 ST6WAW	V 80-2 SPK+B+Y	V 80-2 ST4K	V 80-2 ST8K	
66	1	Tenuta completa	Mechanical seal	N 40 WCT - FL		5919 4024	1000 8958				○		○				
	1			N 40 GCT - FL		5919 4010	1000 8950					○				○	
	2			N 40 GCT - FL		5919 4010	1000 8950										○
69	2	Paraolio	Oil seal	DH 45 x 55 x 4		1406 6004	1000 1255	○	○		○	○	○	○	○	○	
75 (**)	1	Guarnizione	Gasket														
77	1	Portatenuta	Seal box		K	3615 5308	1000 6220									○	
80	1	Portabadera	Stuffing box		G	3615 3007	1000 6157	○	○	○							
					G	5615 3008	1000 8484	⑤		⑤							
					K	3615 5004	1000 6201								○		
					K	3615 5005	1000 6202								⑤		
	1	Portatenuta	Seal box		G	3615 3315	1000 6179				○	○	○				
					G	3615 3319	1000 6181				⑤	⑤					
					K	3615 5306	1000 6219								○		
					K	3615 3310	1000 6222								⑤		
					K	3615 5308	1000 6220									○	
					K	3615 5309	1000 6221										⑤
80.1	4	Vite	Screw	M 8 x 30 DIN 933	S	1478 4012	1000 1939	○	○	○	○	○	○				
				M 8 x 70 DIN 931	K	1478 5071	1000 2073									○	
				M 8 x 30 DIN 933	K	1478 5012	1000 2031							○	○		
		Prigioniero	Stud	M 8 x 20 DIN 938	S	1468 4002	1000 1821			⑤							
80.2	4	Dado	Nut	M 8 DIN 934	S	1420 4004	1000 1420	○	○	○	○	○	○				
					K	1420 5004	1000 1435							○	○	○	
80.3	8	Prigioniero	Stud	M 12 x 30 DIN 938	S	1468 4021	1000 1835			⑤							
80.4	8	Dado	Nut	M 12 DIN 934	S	1420 4006	1000 1422			⑤							
80.5	1	Spina	Spring pin	3 x 20	H	1463 5008	1000 1785				○	○	○				
82	1	Oliatore	Oil lubricator	R ¼" KLG 4	S	1444 0053	1000 1671				○	○	○		○		
				R ¼"		1444 0055	1000 1672				⑥	⑥	⑥		⑥		
82.1	1	Curva	Elbow	R ¼"	G	1601 3002	1000 2292				○	○	○		○		
82.3	3	Tappo	Plug	R ¼" DIN 908	S	1671 4002	1000 2410				○	○	○				
				R ¼" DIN 908	K	1671 5002	1000 2414								○	○	
82.4	3	Guarnizione	Gasket	¼"	D	3450 0600	1000 5657				○	○	○	○	○		
(*)	1	Serie viterie	Set of screw				1001 5173	○	○		○	○					
							1001 5175						○	○	○	○	
							1001 5174	①	①	○	①	①					
(**)	1	Serie guarnizioni	Set of gasket				1001 4963	○	○		○	○					
							1001 4965						○	○	○	○	
							1001 4964					○					

**Note:**

- 1) Completo di tappi, guarnizioni (58, 58.1, 64, 65)
- 2) Completo di tappi, guarnizioni (58, 58.1) e prigionieri (48.1)
- 3) Completo di tappo (64) e guarnizione (65)
- 4) Completo di linguette (41, 42), ghiera (16.1) e rondella (16.2).
- 5) Completo di guarnizione (31.1) e viti (43)

- ① +R Corpo riscaldato
- ② +R2 Coperchio riscaldato
- ③ +Y Con by-pass
- ④ +YY Doppio by-pass
- ⑤ +R1 Baderna riscaldata
- ⑥ +O2 Oliatore da 0.2 l in vetro

\* Materiali di costruzione

- A = Alluminio
- AD10 = Bronzo AD10
- D = Guarnital o fibra
- E3 = Centellen VS 3820
- G = Ghisa
- GR = Grafite
- GS = Ghisa sferoidale
- GSH = Ghisa sferoidale sulfinitizzata
- H = Acciaio inox AISI 304
- H2 = Acciaio inox AISI 420
- K = Acciaio inox AISI 316
- K9 = Acciaio inox AISI 329
- KNM = Acciaio inox AISI 316 + Nitrurazione morbida
- S = Acciaio
- SH = Acciaio trattato
- T2 = Acciaio K110
- T3 = Acciaio K100

Ordinare il materiale indicando sempre la quantità, la denominazione, il codice del pezzo, il tipo ed il numero della pompa.

**Notes:**

- 1) Complete with plugs and gaskets (58, 58.1, 64, 65)
- 2) Complete with plugs and gaskets (58, 58.1) and studs (48.1)
- 3) Complete with plug and gasket (64, 65)
- 4) Complete with keys (41, 42), sleeve (16.1) and washer (16.2)
- 5) Complete with screws (43) and gasket (31.1)

- ① +R Heating jacket on casing
- ② +R2 Heating jacket on cover
- ③ +Y With by-pass
- ④ +YY With double by-pass
- ⑤ +R1 Heating jacket on stuffing box
- ⑥ +O2 With 0.2 l glass oil lubricator

\* Construction materials

- A = Aluminium
- AD10 = AD10 Bronze
- D = Guarnital or fiber
- E3 = Centellen VS 3820
- G = Cast iron
- GR = Graphite
- GS = Ductile cast iron
- GSH = Sulfured graphite cast iron
- H = AISI 304 stainless steel
- H2 = AISI 420 stainless steel
- K = AISI 316 stainless steel
- K9 = AISI 329 stainless steel
- KNM = AISI 316 stainless steel + liquid nitriding
- S = Steel
- SH = Hardened steel
- T2 = K110 steel
- T3 = K100 steel

When ordering spares always indicate type and serial number of pump, quantity, part name, and number.

VARISCO S.p.A.

Terza Strada, 9 - Z.I. Nord - 35129 Padova - Italy

Tel. 049 82 94 111

Fax 049 82 94 373

+39 049 82 94 111

International +39 049 80 76 762

**varisco**  
solid pumping solutions