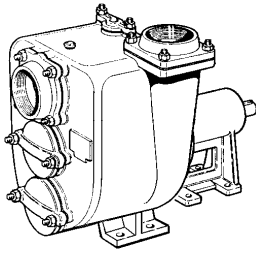
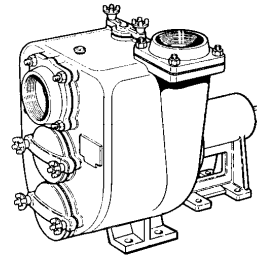


## DISTINTA DELLE PARTI COSTITUENTI LE POMPE CENTRIFUGHE AUTOADESCANTI SERIE " J "

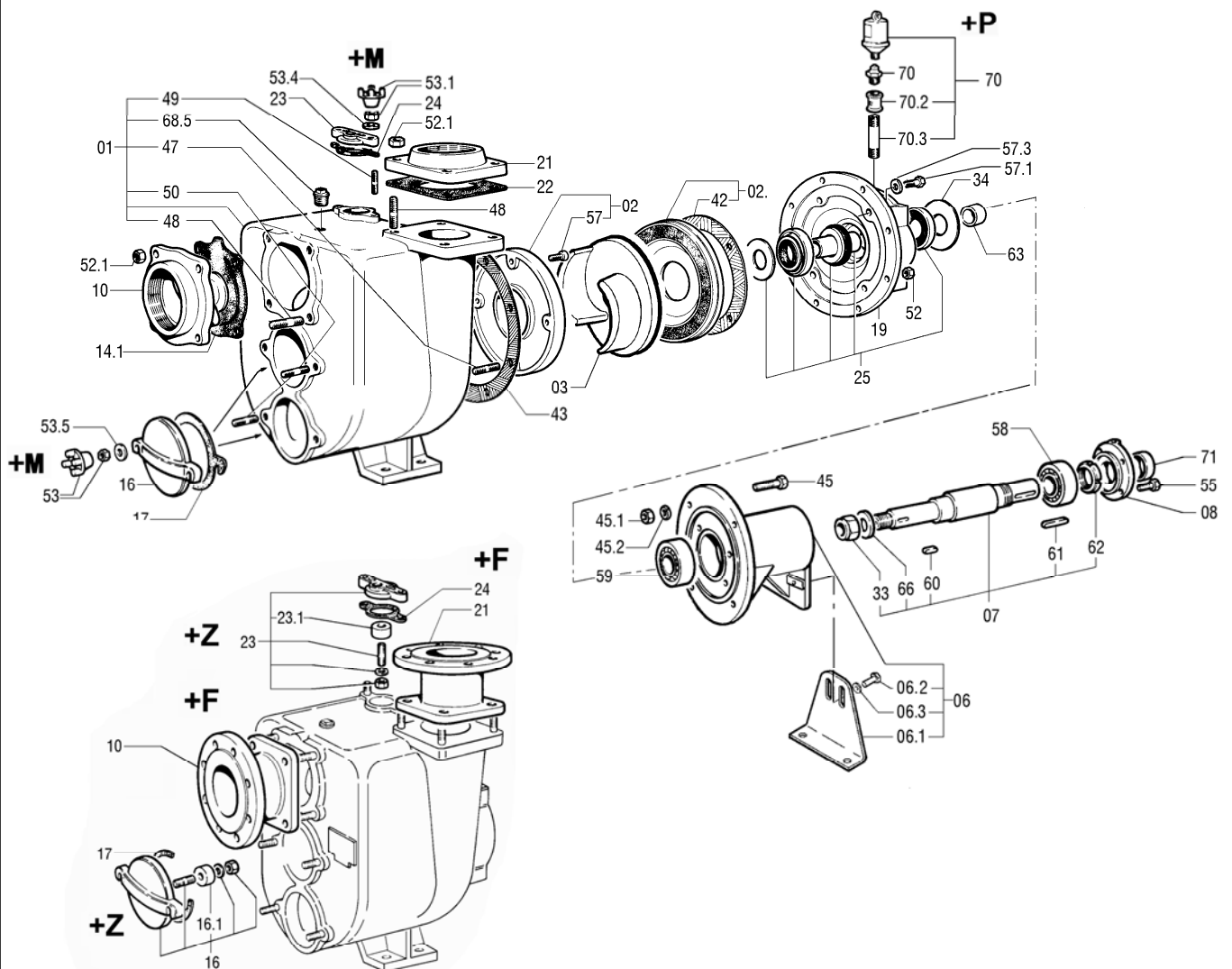
### SPARE PARTS LIST FOR " J " SERIES SELF-PRIMING PUMPS



JS 4-253 G10 Code 1002 3161  
 JS 4-253 P10 Code 1004 3457



JS 4-253 Q10 Code 1002 3164  
 JS 4-253 B10 Code 1004 3459



Rif. N° Pos. Nr.	Quant.	Denominazione	Part name	Den. Comm. Type	Mat. *	Codice Nuovo New Part. No.	JS 4-253 G10	JS 4-253 P10	JS 4-253 Q10	JS 4-253 B10	
01	1	Corpo (1)	Casing (1)		G	1002 3922	○	○			
					B	1002 3923				○	
					G	1002 7005			○		
02	1	Piatto d'usura (2)	Wear plate (2)		GN	1000 8442	○				
					G	1000 8418		○			
					B	1000 8393			○	○	
02.1	1	Piatto d'usura (3)	Wear plate (3)		GN	1002 3925	○				
					G	1002 3926		○			
					B	1002 3927			○	○	
03	1	Girante	Impeller		GS	1002 3089	○	○			
					B	1002 3151			○	○	
06	1	Supporto completo (4)	Bearing housing compl. (4)		G	1002 1227	○	○	○	○	
06.1	1	Piede supporto	Bearing housing foot		S	1002 1223	○	○	○	○	
06.2	2	Vite	Screw	M14 x 25 DIN 933	S	1000 2018	○	○	○	○	
06.3	2	Rondella	Washer	M14 UNI1751/52 A	S	1000 1682	○	○	○	○	
07	1	Albero (5)	Shaft (5)		S3	1002 1225	○	○			
					K7	1002 1264			○	○	
08	1	Copricuscinetto	Bearing cover		G	1000 4775	○	○	○	○	
10	1	Portavalvola	Suction flange	R 4"	G	1000 6426	○	○			
				R 4"	OTS	1000 6401			○	○	
							+F	+F	+F	+F	
14.1	1	Valvola completa	Check valve ass.		NH	1000 9032	○		○	○	
					VK	1000 9024		○			
16	2	Portina	Cover		G	1000 6475	○	○			
					GZ	1000 8504	+Z		○		
					B	1000 6468				○	
17 (**)	2	Guarnizione	Gasket								
19	1	Portamotore	Head		G	1002 1216	○	○	○		
					B	1002 1276				○	
21	1	Flangia mandata	Discharge flange	R 4"	G	1000 5094	○	○			
				R 4"	OTS	1000 5072			○	○	
							+F	+F	+F	+F	
22 (**)	1	Guarnizione	Gasket								
23	1	Portina	Cover		S	1000 6473	○	○			
					GZ	1000 8502	+Z		○		
					B	1000 3748				○	
24 (**)	1	Guarnizione	Gasket								
25	1	Anello di tenuta compl.	Mechanical seal ass.	T 45 YYN ND		1002 1228	○			○	
				T 45 YYV ND		1002 1309		○	○		
33	1	Dado blocca girante	Impeller nut	M 30 x 2-5H UNI7474	H	1000 1466	○	○			
					K	1000 1473			○	○	
42 (**)	1	Guarnizione piatto	Wear plate gasket								
43 (**)	1	Guarnizione corpo	Casing gasket								
45	4	Vite	Screw	M 12 x 45 DIN 933	S	1000 1962	○	○			
				M 12 x 45 DIN 931	K	1000 1963			○	○	
45.1	4	Dado	Nut	M 12 DIN 934	S	1000 1422	○	○	○		
					K	1000 1439				○	
45.2	4	Rondella	Washer	M 12 UNI 1751/52 A	S	1000 1681	○	○			
				M 12 DIN 127	K	1000 1685			○	○	
47 (*)	8	Prigioniero	Stud	M 12 x 35 DIN 938	S		○	○			
					K				○	○	
48 (*)	8	Prigioniero	Stud	M 12 x 30 DIN 938	S		○	○			
					K				○	○	
49 (*)	2	Prigioniero	Stud	M 10 x 30 DIN 938	S		○	○			
				M 10 x 35 DIN 938	K				○	○	
50 (*)	4	Prigioniero	Stud	M 12 x 30 DIN 938	S		○	○			
					K					○	○
52 (*)	8	Dado	Nut	M 12 DIN 934	S		○	○			
					K						○
					H				○		

Rif. N°. Pos. Nr.	Quant.	Denominazione	Part name	Den. Comm. Type	Mat. *	Codice Nuovo New Part. No.	JS 4-253 G10	JS 4-253 P10	JS 4-253 Q10	JS 4-253 B10
52.1 (*)	8	Dado	Nut	M 12 DIN 934	S K H		○	○		○
53 (*)	4	Maniglietta	Wrench	M 12	OTS		+M		○	○
		Dado	Nut	M 12 DIN 934	S		○	○		
		Dado	Nut	M 12 DIN 934	K				○	
53.1 (*)	2	Maniglietta	Wrench	M 10	OTS		+M		○	○
		Dado	Nut	M 10 DIN 934	S		○	○		
53.4 (*)	2	Rondella	Washer	M 10 DIN 125 A	S		○	○		
53.5 (*)	4	Rondella	Washer	M 12 DIN 125 A	S		○	○		
55	4	Vite	Screw	M 6 x 20 DIN 933	S	1000 1933	○	○	○	○
57 (*)	4	Vite	Screw	M 10 x 20 DIN 912	H K		○	○		○
57.1 (*)	4	Vite	Screw	M 12 x 25 DIN 933	S H		○	○		○
57.3 (*)	4	Rondella	Washer	M 12 DIN 125A	S K		○	○		○
58	1	Cuscinetto	Ball bearing	3308-2RS		1005 4292	○	○	○	○
59	1	Cuscinetto	Ball bearing	62208-2RS		1005 4291	○	○	○	○
60	1	Linguetta	Key	10x8x40 DIN 6885 A	K	1000 1626	○	○	○	○
61	1	Linguetta	Key	10x8x70 DIN 6885 A	S	1000 1598	○	○	○	○
62	1	Ghiera	Lock ring	M 40	S	1000 1573	○	○	○	○
63	1	Ghiera	Sleeve	35 x 52 x 34	S	1001 5747	○	○	○	○
66	1	Rondella	Washer	M 30 DIN 125A	H K	1000 1716 1000 1715	○	○		○
67	1	Ingrassatore	Grease nipple	M 6		1000 1664	○	○	○	○
68.5 (*)	1	Tappo	Plug	1/4"	S K		○	○	○	○
70 (*)	1	Ingrassatore	Grease nipple	1/4"		1000 1662	○		○	
	1	Cartuccia Perma	Perma cartridge			1000 8316	+P	+P	+P	+P
70.1	1	Manicotto	Union		G	1000 2352	+P	+P	+P	+P
70.2	1	Prolunga	Grease tube		S	1000 6955	+P	+P	+P	+P
71	1	V-ring	V-ring	V 35 S	N	1000 1294	○	○	○	○
(*)		Serie viterie	Set of screws			1002 1368 1002 1375	○	○		○
(**)		Serie guarnizioni	Set of gaskets		N V V N	1001 4009 1001 4011 1002 5773 1001 4013	○	○	○	○
+F***		Kit flange	Kit flange	DN 100 PN16 DN 100 PN16 4" ASA150 4" ASA150	G B G B	1004 2352 1004 2787 1004 2820 1004 2824	○	○		○
+P***		Kit ingrassatore	Compl. Grease kit			1000 8316	○	○	○	○
+Z***		Kit portine	Set of couver		GZ	1001 4027	○			
+M***		Kit manigliette	Set of wrench		OTS	1004 2351	○			
***		Optional								

VARISCO S.p.A.

Terza Strada, 9 - Z.I. Nord - 35129 Padova - Italy

Tel. 049 82 94 111

+39 049 82 94 111

Fax 049 82 94 373

International +39 049 80 76 762



**varisco**  
solid pumping solutions

<b>Note:</b>		<b>Notes:</b>	
1) Completo di prigionieri (47, 48, 49, 50, 54) e tappo (68.5).		1) Complete with studs (47, 48, 49, 50, 54) and plugs (68.5).	
2) Completo di viti (57).		2) Complete with screws (57).	
3) Completo di guarnizione (42).		3) Complete with gasket (42).	
4) Completo di supporto (06), piede (06.1), vite (06.2) e rondella (06.3)		4) Complete with bearing housing (06), foot (06.1), screw (06.2) and washer (06.3).	
5) Completo di dado (33), rondella (66), linguette (60,61) e ghiera (62).		5) Complete with nut (33), washer (66), keys (60,61) and lock ring	
* Materiali di costruzione		* Construction material	
B	= Bronzo	B	= Bronze
D	= Guarnital	D	= Guarnital
E3	= Centellen VS 3820	E3	= Centellen VS 3820
G	= Ghisa	G	= Cast iron
GS	= Ghisa sferoidale	GS	= Ductile cast iron
H	= Acciaio INOX AISI 304	H	= AISI 304 Stainless steel
K	= Acciaio INOX AISI 316	K	= AISI 316 Stainless steel
K7	= Acciaio INOX SAF2507	K7	= SAF2507 Stainless steel
N	= Gomma nitrile	N	= Nitrile rubber
OTS	= Ottone	OTS	= Brass
S	= Acciaio	S	= Steel
S3	= Acciaio 38 NiCrMo4	S3	= Steel 38 NiCrMo4
V	= Viton	V	= Viton
Z	= Zinco	Z	= Zinc
Ordinare il materiale indicando sempre la quantità, la denominazione, il codice del pezzo, il tipo ed il numero della pompa.		When ordering spares always indicate type and serial number of pump, quantity, part name, and number.	

**VARISCO S.p.A.**

Terza Strada, 9 - Z.I. Nord - 35129 Padova - Italy

Tel. 049 82 94 111

+39 049 82 94 111

Fax 049 82 94 373

International +39 049 80 76 762



**varisco**  
solid pumping solutions