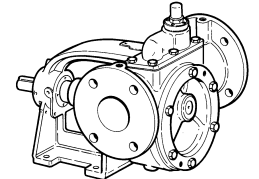
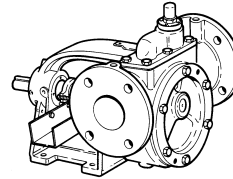
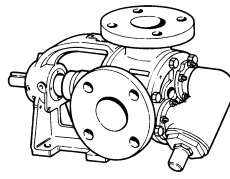
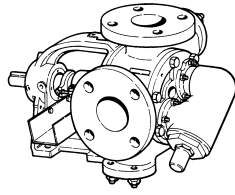
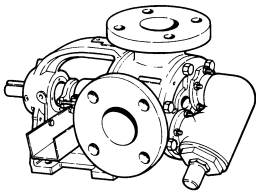


DISTINTA DELLE PARTI COSTITUENTI LE POMPE ROTATIVE VOLUMETRICHE SERIE " V "

SPARE PARTS LIST FOR " V " SERIES POSITIVE-DISPLACEMENT ROTARY PUMPS

V 60-2 SPHTR Code 1001 0190

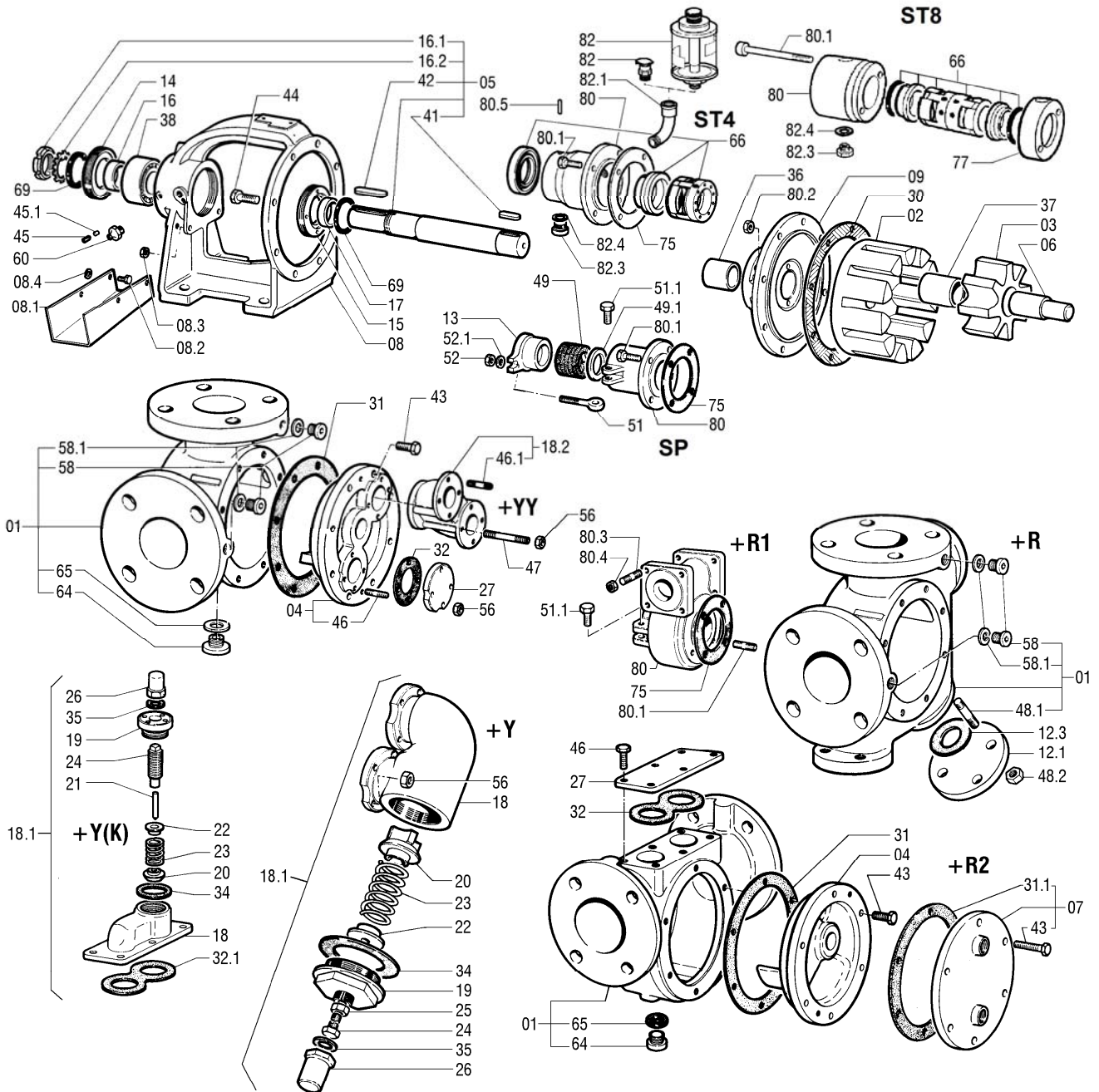
V 60-2 SPK Code 1001 0233



V 60-2 SPG Code 1001 0181

V 60-2 ST4WG Code 1001 0198
V 60-2 ST4BS Code 1001 0193

V 60-2 ST4WAT Code 1001 0260
V 60-2 ST4K Code 1001 0247
V 60-2 ST8K Code 1005 7835
V 60-2 ST8WG Code 1001 0209



VARISCO S.p.A.

35129 Padova - Z.I. Nord Terza Strada, 9

Tel. 049 82 94 111

Fax 049 82 94 373

+39 049 82 94 111

International +39 049 80 76 762



varisco
solid pumping solutions

Rif. N°. Pos. Nr.	Quant.	Denominazione	Part name	Den. Comm. Type	Mat.*	Codice Nuovo New Part No.	V60-2 SPG	V60-2 SPHTR	V60-2 ST4WG	V60-2 ST4BS	V60-2 ST4AWAT	V60-2 ST8WG	V60-2 SPK	V60-2 ST4K	V60-2 ST8K		
01	1	Corpo (1) (2) (3) (3)	Casing (1) (2) (3) (3)		GS	1000 8052	○		○	○		○					
						1000 8053	①	○	①	①							
						1002 0365					○						
						1001 5572									○	○	○
02	1	Rotore	Rotor		GS	1000 6587	○	○	○	○		○					
						1000 6624					○						
						1000 6657							○	○	○		
03	1	Ruota oziosa	Idler		G	1000 6733	○	○	○			○					
						GSH 1000 6735				○							
						SH 1000 6801					○						
						K 1000 6812								○	○	○	
04	1	Coperchio (4)	Cover (4)		G	1000 8012	○	○	○	○		○					
						SH 1000 4707					○						
						K 1000 4720								○	○	○	
05	1	Albero (5)	Shaft (5)	D.35	SH	1000 7616	○	○	○		○	○					
						K9 1000 7626					○			○	○	○	
06	1	Perno	Idler pin	D.30	T2	1000 5904	○	○	○			○					
						D.30	K5	1000 5943				○			○	○	○
						D.40		T3	1000 5895					○			
07	1	Camera di prerisc. (6)	Heating jacket (6)		S	1000 7776						②	②	②			
08	1	Supporto	Bearing housing		G	1000 6888	○	○	○	○	○	○	○	○	○		
08.1	1	Colatoio	Drip tray		S	1000 5477	○	○									
						K 1000 5483								○			
08.2	2	Vite	Screw	M 8 x 20 DIN 933	S	1000 1937	○	○									
						K 1000 2027								○			
08.3	2	Dado	Nut	M 8 DIN 934	S	1000 1420	○	○									
						K 1000 1435								○			
08.4	2	Rondella	Washer	M 8 DIN 125 A	S	1000 1689	○	○									
						K 1000 1718								○			
09	1	Flangia supporto	Rear cover		GS	1000 5146	○	○									
						GS 1000 5152			○	○	○	○					
						K 1000 5173								○			
						K 1000 5181									○	○	
12.1	1	Flangia	Flange	DN20 PN16 UNI 6093	S	1000 5132	①	○	①	①							
12.3	1	Guarnizione	Gasket	28 x 60 x 2	E3	1000 5595	①	○	①	①							
13	1	Premitreccia	Gland		G	1000 6514	○	○									
						K 1000 6525								○			
14	1	Copricuscinetto	Bearing cover		G	1000 4795	○		○	○	○		○	○			
						G 1000 4797	①	○	①								
						G 1000 4801				○						○	
15	1	Copricuscinetto	Bearing cover		G	1000 4796	○		○	○	○		○	○			
						G 1000 4798	①	○	①	①							
						G 1000 4802							○			○	
16	1	Ghiera	Sleeve	30 x 38 x 13,5	S	1000 4251	○	○	○	○	○	○	○	○			
16.1	1	Ghiera	Sleeve	M 30 x 1,5	S	1000 1570	○	○	○	○	○	○	○	○			
16.2	1	Rondella	Washer	MB6 UNI 3073	S	1000 1720	○	○	○	○	○	○	○	○			
17	1	Ghiera	Sleeve	30 x 38 x 13,5	S	1000 4251	○	○	○	○	○	○	○	○			
18	1	Corpo By-pass	By-pass casing		G	1000 4456	③	③	③	③		③					
						G 1000 4456	④	④	④	④		④					
						K 1000 4500					③		③	③	③		
18.1	1	By-pass	By-pass		G	1000 7736	③	③	③	③		③					
						G 1002 0370	④	④	④	④		④					
						K 1000 7757					③		③	③	③		
18.2	2	Raccordo doppio (7)	Double manifold (7)		G	1002 0369	④	④	④	④		④					
19	1	Coperchio By-pass	By-pass cover		G	1000 4449	③	③	③	③		③					
						G 1000 4449	④	④	④	④		④					
						KNM 1000 4534					③		③	③	③		
20	1	Valvola By-pass	By-pass check valve		G	1000 4467	③	③	③	③		③					
						G 1000 4467	④	④	④	④		④					
						K 1000 4510					③		③	③	③		
21	1	Perno By-pass	By-pass idler pin		K	1000 4525							③	③	③		
						K 1000 4525								④	④	④	
22	1	Piattello By-pass	By-pass plate		S	1000 4462	③	③	③	③		③					
						S 1000 4462	④	④	④	④		④					
						K 1000 4504					③		③	③	③		

VARISCO S.p.A.

35129 Padova - Z.I. Nord Terza Strada, 9

Tel. 049 82 94 111

+39 049 82 94 111

Fax 049 82 94 373

International +39 049 80 76 762



varisco
solid pumping solutions

Rif. N° Pos. Nr.	Quant.	Denominazione	Part name	Den. Comm. Type	Mat.*	Codice Nuovo New Part No.	V60-2 SPG	V60-2 SPHTR	V60-2 ST4WG	V60-2 ST4BS	V60-2 ST4WAT	V60-2 ST8WG	V60-2 SPK	V60-2 ST4K	V60-2 ST8K	
23	1	Molla By-pass	By-pass spring	D. 8 x 42 x 95 x 15,5	SHT	1000 5789	③	③	③	③		③				
	2			D. 8 x 42 x 95 x 15,5	SHT	1000 5789	④	④	④	④		④				
	1			D. 5 x 29 x 65 x 10,6	K	1000 5800					③				③	③
24	1	Vite By-pass	By-pass screw	M 10 x 60 DIN 933	H	1000 2049	③	③	③	③		③				
	2			M 10 x 60 DIN 933	H	1000 2049	④	④	④	④		④				
	1				K	1000 4533					③				③	③
25	1	Dado	Nut	M 10 DIN 934	H	1000 1436	③	③	③	③		③				
	2			M 10 DIN 934	H	1000 1436	④	④	④	④		④				
26	1	Cappello By-pass	By-pass cap		A	1000 4439	③	③	③	③		③				
	2				A	1000 4439	④	④	④	④		④				
	1				K	1000 4532					③				③	③
27	2	Flangia By-pass	By-pass flange		G	1000 5125	○	○	○	○		○				
	1				S	1000 5128					○					
	1				K	1000 5136									○	○
30 (**)	1	Guarnizione corpo	Casing gasket	158 x 204 x 0,5 -8F												
31 (**)	1	Guarnizione coperchio	Cover gasket	158 x 204 x 0,5 -6F												
31.1	1	Guarnizione	Gasket	158 x 204 x 0,5 -6F	E3	1000 5522							②	②	②	
32 (**)	2	Guarnizione	Gasket													
32.1	4	Guarnizione	Gasket		E3	1000 5492	④	④	④	④		④				
34	1	Guarnizione	Gasket	68 x 82 x 0,5	E3	1000 5504	③	③	③	③		③				
	2			68 x 82 x 0,5	E3	1000 5504	④	④	④	④		④				
	1				E3	1000 5505					③				③	③
35	1	Guarnizione cappell.	Cap gasket	17 x 27 x 0,5	E3	1000 5498	③	③	③	③	③	③	③	③	③	
	2			17 x 27 x 0,5	E3	1000 5498	④	④	④	④		④				
36	1	Bronzina supporto	Bearing bush	35 x 45 x 45	G	1000 4353	○		○			○				
					AD10	1000 4317		○								
					GR	1000 4271			○					○	○	○
					T3	1000 4362					○					
37	1	Bronzina ruota oziosa	Idle bush	30 x 40 x 50	G	1000 4352	○		○			○				
				30 x 40 x 50	AD10	1000 4302		○								
				30 x 40 x 50	GR	1000 4280				○				○	○	○
38	1	Cuscinetto	Ball bearing	3306 HT	S	1000 1387	○	○	○	○	○	○	○	○	○	
41	1	Linguetta	Key	8 x 7 x 28 DIN 6885A	S	1000 1591	○	○	○		○	○				
				8 x 7 x 28 DIN 6885A	K	1000 1623				○					○	○
42	1	Linguetta	Key	8 x 7 x 50 DIN 6885A	S	1000 1594	○	○	○	○	○	○	○	○	○	
43 (*)	6	Vite	Screw	M 10 x 25 DIN 933	S		○	○	○	○	○	○				
				M 10 x 25 DIN 933	K									○	○	○
				M 10 x 30 DIN 933	K										②	②
44 (*)	8	Vite	Screw	M 8 x 35 DIN 933	S		○	○	○	○	○					
				M 8 x 35 DIN 931	K									○	○	○
45 (*)	2	Vite	Screw	M 6 x 12 DIN913	S		○	○	○	○	○	○	○	○	○	
45.1 (*)	2	Pastiglia	Shim	D. 4,8 x 3			○	○	○	○	○	○	○	○	○	
46 (*)	8	Prigioniero	Stud	M 8 x 16 DIN 938	S		○	○	○	○	○	○				
				M 10 x 25 DIN 933	K									○	○	○
46.1	8	Prigioniero	Stud	M 10 x 20 DIN 938	S	1001 7918	④	④	④	④		④				
47	8	Prigioniero	Stud	M 10 x 105	S	1000 6908	④	④	④	④		④				
48.1	12	Prigioniero	Stud	M 12 x 30 DIN 938	S	1000 1835	①	○	①	①						
48.2	12	Dado	Nut	M 12 DIN 934	S	1000 1422	①	○	①	①						
49	1	Baderna	Packing	35 x 51 x 8 x 5	TE	1000 7646	○						○			
				35 x 51 x 8 x 5 UP 3075		1000 7643										
49.1	1	Anello	Ring		K	1000 4090	○	○				○				
51	2	Tirante	Eyebolt		H	1000 1814	○	○					○			
51.1	2	Vite	Screw	M 10 x 30 DIN 933	S	1000 1949	○	○								
				M 10 x 30 DIN 933	K	1000 2044										
				M 10 x 30 DIN 912	S	1000 1886	⑤	⑤								
52	2	Dado	Nut	M 10 DIN 934	S	1000 1421	○	○								
				M 10 DIN 934	K	1000 1437									○	
52.1	2	Rondella	Washer	M 10 DIN 125A	S	1000 1691	○	○								
				M 10 DIN 125A	K	1000 1704									○	
56 (*)	8	Dado	Nut	M 8 DIN 934	S		○	○	○	○	○					
56.1	16	Dado	Nut	M 10 DIN 934	S	1000 1421	④	④	④	④		④				
58 (*)	2	Tappo	Plug	1/4" DIN 908			○	○	○	○	○					
58.1 (**)	2	Guarnizione	Gasket	1/4"												
60 (*)	1	Ingrassatore	Grease nipple	1/4"	S	1000 1662	○	○	○	○	○	○	○	○		
64 (*)	2	Tappo	Plug		S		○		○	○	○	○	○	○	○	
																1

VARISCO S.p.A.

35129 Padova – Z.I. Nord Terza Strada, 9

Tel. 049 82 94 111

+39 049 82 94 111

Fax 049 82 94 373

International +39 049 80 76 762



varisco
solid pumping solutions

Rif. N° Pos. Nr.	Quant.	Denominazione	Part name	Den. Comm. Type	Mat.*	Codice Nuovo New Part No.	V60-2 SPG	V60-2 SPHTR	V60-2 ST4WG	V60-2 ST4BS	V60-2 ST4WAT	V60-2 ST8WG	V60-2 SPK	V60-2 ST4K	V60-2 ST8K	
65 (**)		Guarnizione	Gasket	1/2"												
66	1	Tenuta completa	Mechanical seal	N 35 WCT - FL		1000 8948			○		○	○				
	1			N 35 GCT - FL		1000 8947						○				
	1			N 35 GCT - FL		1000 8947					○				○	
	2			N 35 GCT - FL		1000 8947										○
69	2	Paraolio	Oil seal	DH 38 x 48 x 4		1000 1254	○		○	○	○	○	○	○		
75 (**)	1	Guarnizione	Gasket													
77	1	Portatenuta	Seal box		G	1000 6177						○				
					K	1002 0534									○	
80	1	Portabaderna	Stuffing box		G	1000 6151	○	○								
					G	1000 8483	⑤	⑤								
					K	1000 6199							○			
		Portatenuta	Seal box		G	1001 7569				○	○	○				
					G	1000 6178							○			
					K	1001 7583									○	
	K	1000 6217											○			
80.1	4	Vite	Screw	M 8 x 30 DIN 933	S	1000 1939	○	○	○	○	○					
				M 8 x 30 DIN 933	K	1000 2031								○		
				M 8 x 25 DIN 931	K	1000 2029									○	
				M 8 x 65 DIN931	K	1000 2040									○	
		Prigioniero	Stud	M 8 x 20 DIN 938	S	1000 1821	⑤	⑤								
80.2	4	Dado	Nut	M 8 DIN 934	S	1000 1420	○	○	○	○	○					
					K	1000 1435								○	○	○
80.3	8	Prigioniero	Stud	M 12 x 30 DIN 938	S	1000 1835	⑤	⑤								
80.4	8	Dado	Nut	M 12 DIN 934	S	1000 1422	⑤	⑤								
80.5	1	Spina	Spring pin	3 x 20	H	1000 1785			○	○	○			○		
	H				1000 1785						○			○		
82	1	Oliatore	Oil lubricator	R 1/4" KLG 4	S	1000 1671			○	○	○	○		○	○	
				R 1/4"		1000 1672			⑥	⑥	⑥	⑥		⑥	⑥	
82.1	1	Curva	Elbow	R 1/4"	G	1000 2292			○	○	○			○	○	
82.3	1	Tappo	Plug	R 1/4" DIN 908	S	1000 2410			○	○	○					
				R 1/4" DIN 908	K	1000 2414									○	○
82.4	1	Guarnizione	Gasket	1/4"	D	1000 5657			○	○	○	○	○	○		
(*)		Serie viterie	Set of screw			1001 5186	○	○	○	○	○					
						1001 5187	①	①	①	①						
						1001 5188							○	○	○	
(**)		Serie guarnizioni	Set of gasket			1001 4974	○		○	○		○				
						1001 4975	①	①	①							
						1001 4976						○	○	○	○	

VARISCO S.p.A.

35129 Padova – Z.I. Nord Terza Strada, 9

Tel. 049 82 94 111

+39 049 82 94 111

Fax 049 82 94 373

International +39 049 80 76 762



varisco
solid pumping solutions

Note:		Notes:	
1) Completo di tappi, guarnizioni (58, 58.1, 64, 65).		1) Complete with nuts and gaskets (58,58.1,64,65).	
2) Completo di tappi (58), guarnizioni (58.1), prigionieri (48.1), dadi (48.2), flangia (12.1) e guarnizione (12.3).		2) Complete with plugs (58), gaskets (58.1), studs (48.1), nuts (48.2), flange (12.1) and gasket (12.3).	
3) Completo di tappo (64) e guarnizione (65).		3) Complete with plug and gasket (64, 65).	
4) Completo di prigionieri (46).		4) Complete with studs (46).	
5) Completo di linguette (41, 42), ghiera (16.1) e rondella (16.2).		5) Complete with keys (41, 42), sleeve (16.1) and washer (16.2).	
6) Completo di guarnizione (31.1) e viti (43).		6) Complete with screws (43) and gasket (31.1).	
7) Completo di prigionieri (46.1).		7) Complete with studs (46.1).	
① +R	Corpo riscaldato	① +R	Heating jacket on casing
② +R2	Coperchio riscaldato	② +R2	Heating jacket on cover
③ +Y	Con by-pass	③ +Y	With by-pass
④ +YY	Doppio by-pass	④ +YY	With double by-pass
⑤ +R1	Baderna riscaldata	⑤ +R1	Heating jacket on stuffing box
⑥ +O2	Oliatore da 0.2 l in vetro	⑥ +O2	With 0.2 l glass oil lubricator
* Materiali di costruzione		* Construction materials	
A	= Alluminio	A	= Aluminium
AD10	= Bronzo AD10	AD10	= AD10 Bronze
D	= Guarnital o fibra	D	= Guarnital or fiber
E3	= Centellen VS 3820	E3	= Centellen VS 3820
G	= Ghisa	G	= Cast iron
GR	= Grafite	GR	= Graphite
GS	= Ghisa sferoidale	GS	= Ductile cast iron
GSH	= Ghisa sferoidale sutfinizzata	GSH	= Sulfured graphite cast iron
H	= Acciaio inox AISI 304	H	= AISI 304 stainless steel
K	= Acciaio inox AISI 316	K	= AISI 316 stainless steel
K5	= Acciaio inox SAF 2205	K5	= SAF 2205 stainless steel
K9	= Acciaio inox AISI 329	K9	= AISI 329 stainless steel
KNM	= Acciaio inox AISI 316 + nitrurazione morbida	KNM	= AISI 316 stainless steel + liquid nitriding
S	= Acciaio	S	= Steel
SH	= Acciaio trattato	SH	= Hardened steel
T2	= Acciaio K110	T2	= K110 steel
T3	= Acciaio K100	T3	= K100 steel
TE	= Teflon	TE	= Teflon
Ordinare il materiale indicando sempre la quantità, la denominazione, il codice del pezzo, il tipo ed il numero della pompa.		When ordering spares always indicate type and serial number of pump, quantity, part name, and number.	

VARISCO S.p.A.

35129 Padova – Z.I. Nord Terza Strada, 9

Tel. 049 82 94 111

+39 049 82 94 111

Fax 049 82 94 373

International +39 049 80 76 762



varisco
solid pumping solutions

VARISCO S.p.A.
35129 Padova – Z.I. Nord Terza Strada, 9
Tel. 049 82 94 111 +39 049 82 94 111
Fax 049 82 94 373 International +39 049 80 76 762

