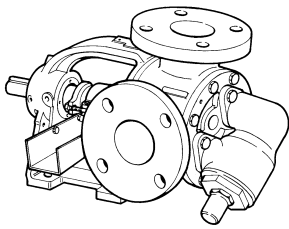
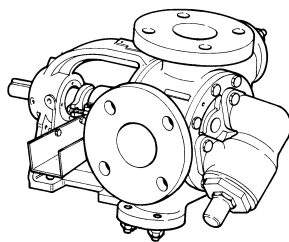


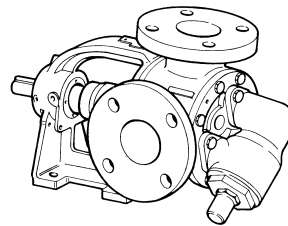
DISTINTA DELLE PARTI COSTITUENTI LE POMPE ROTATIVE VOLUMETRICHE SERIE " V "
 SPARE PARTS LIST FOR " V " SERIES POSITIVE-DISPLACEMENT ROTARY PUMPS
 LISTE DES PIECES DE RECHANGE POUR POMPES ROTATIVES VOLUMETRIQUES SERIE "V "
 ERSATZTEILLISTE FÜR SELBSTANSAUGENDE INNENZAHNRADPUMPEN SERIE "V "



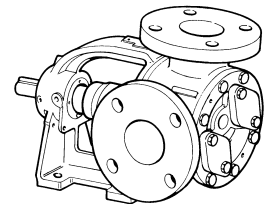
V50-3 SPG Code 1001 0106
 V50-3 SPK Code 1001 0149



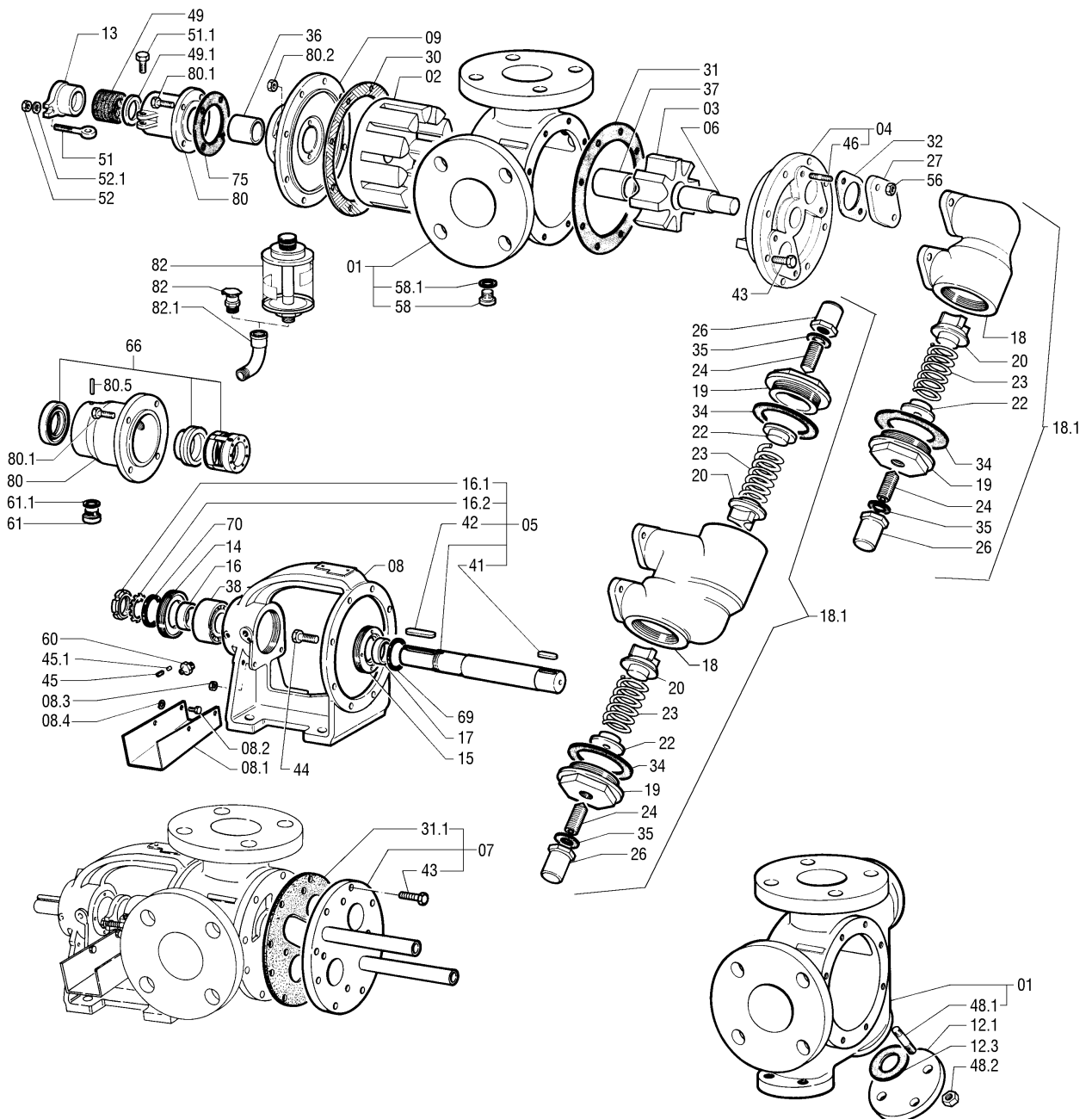
V50-3 SPHTR Code 1001 0129



V50-3 ST4WG Code 1001 0116
 V50-3 ST4BS Code 1001 0101
 V50-3 ST4K Code 1001 0157



V50-3 ST6WAT Code 1001 0127



Rif. N°. Pos. Nr.	Quant.	Denominazione	Part name	Den. Comm. Type	Mat.*	Codice Vecchio Old Part no	Codice Nuovo New Part no	V 50-3 SFG	V 50-3 SPHTR	V 50-3 ST4WG	V 50-3 ST4BS	V 50-3 ST6MAT	V 50-3 SPK	V 50-3 ST4K
1	1	Corpo (1)	Casing (1)		GS	5319 3051	1001 6718	○		○	○			
			(2)		GS	5319 3016	1000 8054	①	○	①	①			
			(1)		SH	5319 4002	1000 8066					○		
			(1)		K	5319 5017	1001 9352						○	○
2	1	Rotore	Rotor		GS	3765 3003	1000 6585	○	○	○	○			
					SH	3765 4016	1000 6631					○		
					K	3765 5014	1000 6679						○	○
3	1	Ruota oziosa	Idler		GS	3780 3004	1000 6731	○	○	○				
					GSH	3780 3031	1000 6751				○			
					SH	3780 4014	1000 6794					○		
					K	3780 5002	1000 6809						○	○
4	1	Coperchio (3)	Cover (3)		G	5270 3006	1000 8011	○	○	○	○			
					SH	3270 4010	1000 4710					○		
					K	5270 5012	1000 8018						○	○
5	1	Albero (4)	Shaft (4)	D.30	SH	5032 4003	1000 7617	○	○	○		○		
					K5	5032 5031	1000 7628				○		○	○
6	1	Perno	Idler pin	D.25	T2	3540 4041	1000 5907	○	○	○				
					K9	3540 5046	1000 5942				○		○	○
				D.32	T3	3540 4003	1000 5894					○		
7	1	Camera di preriscald. (5)	Heating jacket (5)		K	5135 5000	1000 7779					④	④	④
8	1	Supporto	Bearing housing		G	3872 3007	1000 6889	○	○	○	○	○	○	○
8.1	1	Colatoio	Drip tray		S	3435 4000	1000 5476	○	○					
					K	3435 5000	1000 5482							○
8.2	2	Vite	Screw	M 6 x 16 DIN 933	S	1478 4004	1000 1932	○	○					
					K	1478 5001	1000 2022							○
8.3	2	Dado	Nut	M 6 DIN 934	S	1420 4003	1000 1419	○	○					
					K	1420 5002	1000 1433							○
8.4	2	Rondella	Washer	M 6 DIN 125 A	S	1450 4002	1000 1688	○	○					
					K	1450 5015	1000 1717							○
9	1	Flangia supporto	Rear cover		G	3375 3004	1000 5147	○	○					
					G	3375 3020	1000 5151			○	○	○		
					K	3375 5023	1000 5178							○
					K	3375 5024	1000 5179							
12.1	1	Flangia	Flange	DN15 P 16 UNI 6093	S	3362 4003	1000 5134	①	○	①	①			
12.3	1	Guarnizione	Gasket	25x52x3	E3	3450 0256	1000 5594	①	○	①	①			
13	1	Premitreccia	Gland		G	3690 3002	1000 6515	○	○					
					K	3690 5001	1000 6524							○
14	1	Copricuscinetto	Bearing cover		G	3287 3010	1000 4800	○		○	○	○	○	○
					G	3287 3027	1000 4813	①		①	①			
15	1	Copricuscinetto	Bearing cover		G	3287 3009	1000 4799	○		○	○	○	○	○
					G	3287 3032	1000 4816	①		①	①			
16	1	Ghiera	Sleeve	25 x 32 x 13	S	3107 4516	1000 4250	○	○	○	○	○	○	
16.1	1	Ghiera	Sleeve	M 25 x 1,5 KM05		3107 4500	1000 4237	○	○	○	○	○	○	
16.2	1	Rondella	Washer	D. 25 UNI 3073	S	1452 4000	1000 1719	○	○	○	○	○	○	
17	1	Ghiera	Sleeve	25 x 32 x 13	H	3107 4516	1000 4250	○	○	○	○	○	○	
18	1	Corpo By-pass	By-pass casing		G	3240 3012	1000 4455	②	②	②	②	②		
					G	3240 3033	1000 4470	③	③	③	③			
					K	3240 5040	1000 4517							②
18.1	1	By-pass	By-pass		G	5090 3008	1000 7738	②	②	②	②	②		
					G	5090 3030	1000 7747	③	③	③	③			
					K	5090 5021	1000 7767							②
19	1	Coperchio By-pass	By-pass cover		G	3240 3034	1000 4471	②	②	②	②	②		
					G	3240 3034	1000 4471	③	③	③	③			
					KNM	3240 5038	1000 4515							②
20	1	Valvola By-pass	By-pass check valve	D.35	H2	3240 5026	1000 4509	②	②	②	②	②		
					H2	3240 5026	1000 4509	③	③	③	③			
					K	3240 5058	1000 4531							②

VARISCO S.p.A.

35129 Padova – Z.I. Nord Terza Strada, 9

Tel. 049 82 94 111

Fax 049 82 94 373

+39 049 82 94 111

International +39 049 80 76 762



Rif. N°. Pos. Nr.	Quant.	Denominazione	Part name	Den. Comm. Type	Mat.*	Codice Vecchio Old Part no	Codice Nuovo New Part no	V 50-3 SPG	V 50-3 SPHTR	V 50-3 ST4WG	V 50-3 ST4BS	V 50-3 ST6WAT	V 50-3 SPK	V 50-3 ST4K
22	1	Piattello By-pass	By-pass plate		K	3240 5041	1000 4518	②	②	②	②	②		
	2				K	3240 5041	1000 4518	③	③	③	③			
	1				K	3240 5041	1000 4518						②	②
23	1	Molla By-pass	By-pass spring	D. 6 x 32 x 65 x 13	S	3495 4025	1000 5791	②	②	②	②	②		
	2			D. 6 x 32 x 75 x 13	S	3495 4017	1000 5786	③	③	③	③			
	1			D. 6 x 30 x 59 x 13	K	3495 5012	1000 5801						②	②
24	1	Vite By-pass	By-pass screw	M 12 x 50 DIN 914	S	1470 4011	1000 1867	②	②	②	②	②		
	2				S	1470 4011	1000 1867	③	③	③	③			
	1				K	3240 5032	1000 4513						②	②
26	1	Cappello By-pass	By-pass cap		S	3240 4009	1000 4483	②	②	②	②	②		
	2				S	3240 4009	1000 4483	③	③	③	③			
	1				K	3240 5000	1000 4493						②	②
27	2	Flangia By-pass	By-pass flange		G	3362 3002	1000 5124	○	○	○	○	○		
					K	3362 5005	1000 5141							○
30(**)	1	Guarnizione corpo	Casing gasket	126 x 164 x 0,5										
31(**)	1	Guarnizione coperchio	Cover gasket	126 x 164 x 0,5										
31.1	1	Guarnizione	Gasket		E3	3450 0056	1000 5517						④	④
32(**)	2	Guarnizione flangia	Flange gasket											
34	1	Guarnizione coperchio	Cover gasket	61 x 77 x 0,5	E3	3450 0018	1000 5503	②	②	②	②	②	②	②
	2				E3	3450 0018	1000 5503	③	③	③	③			
35	1	Guarnizione cappello	Cap gasket	13 x 24 x 0,5	E3	3450 0029	1000 5512	②	②	②	②	②	②	②
	2			17 x 27 x 0,5	E3	3450 0011	1000 5497	③	③	③	③			
36	1	Bronzina supporto	Bearing bush	30 x 38 x 40	G	3120 3037	1000 4360	○		○				
					AD10	3120 2031	1000 4306		○					
					GR	3120 0035	1000 4278				○		○	○
					T3	3120 4012	1000 4364					○		
37	1	Bronzina ruota oziosa	Idler bush	25 x 32 x 40	G	3120 3017	1000 4342	○		○				
					AD10	3120 2047	1000 4312		○					
					GR	3120 0033	1000 4277				○		○	○
38	1	Cuscinetto	Ball bearing	3305 HT	S	1418 0093	1000 1390	○	○	○	○	○	○	○
41	1	Linguetta	Key	8 x 7 x 22 DIN 6585 A	S	1434 4010	1000 1589	○	○	○		○		
					K	1434 5018	1000 1633				○		○	○
42	1	Linguetta	Key	6 x 6 x 40 DIN 6585 A	S	1434 4037	1000 1611	○	○	○	○	○	○	○
43(*)	8	Vite	Screw	M 8 x 20 DIN 933	S			○	○	○	○	○		
				M 8 x 30 DIN 933	K								○	○
44(*)	8	Vite	Screw	M 8 x 25 DIN 933	S			○	○	○	○	○		
					K									○
45(*)	2	Vite	Screw	M 6 x 6 DIN 913	S			○	○	○	○	○	○	○
45.1(*)	2	Pastiglia	Shim	D. 4,8 x 3				○	○	○	○	○	○	○
46(*)	4	Prigioniero	Stud	M 8 x 18 DIN 938	S			○	○	○	○	○		
					K									○
48.1	12	Prigioniero	Stud	M 12 x 30 DIN 938	S	1468 4021	1000 1835	①	○	①	①			
48.2	12	Dado	Nut	M 12 UNI 934	S	1420 4006	1000 1422	①	○	①	①			
49	1	Baderna	Packing	30 x 42 x 6 x 5		5060 0006	1000 7641	○					○	
						5060 0042	1000 7650	①	○					
49.1	1	Anello	Ring		K	3045 5021	1000 4094	○	○				○	
51	2	Tirante	Eyebolt	M 6 x 50 DIN 444B	H	1466 5000	1000 1813	○	○				○	
51.1	2	Vite	Screw	M 6 x 25 DIN 933	S	1478 4006	1000 1934	○	○					
					K	1478 5066	1000 2069							○
52	2	Dado	Nut	M 6 DIN 934	S	1420 4003	1000 1419	○	○					
					K	1420 5002	1000 1433							○
52.1	2	Rondella	Washer	M 6 DIN 125 A	S	1450 4002	1000 1688	○	○					
					K	1450 5015	1000 1717							○
56(*)	4	Dado	Nut	M 8 DIN 934	S			○	○	○	○			
					K									○

VARISCO S.p.A.

35129 Padova – Z.I. Nord Terza Strada, 9

Tel. 049 82 94 111

+39 049 82 94 111

Fax 049 82 94 373

International +39 049 80 76 762



Rif. N°. Pos. Nr.	Quant.	Denominazione	Part name	Den. Comm. Type	Mat.*	Codice Vecchio Old Part no	Codice Nuovo New Part no	V 50-3 SPG	V 50-3 SPHTR	V 50-3 ST4WG	V 50-3 ST4BS	V 50-3 ST6MAT	V 50-3 SPK	V 50-3 ST4K
58(*)	2	Tappo	Plug	R 1/4" DIN 908	S			○		○	○	○		
					K								○	○
58.1(**)	2	Guarnizione	Gasket	1/4"										
60(*)	1	Ingrassatore	Grease nipple	M 6	S			○	○	○	○	○	○	○
61	3	Tappo	Plug	R 1/4" DIN 908	S	1671 4002	1000 2410			○	○	○		
					K	1671 5002	1000 2414							○
61.1	3	Guarnizione	Gasket	1/4"	D	3450 0600	1000 5657			○	○	○		○
66	1	Tenuta completa	Mechanical seal	N 30 WCT - FL		5919 4005	1000 8945			○				
				N 30 WCV - FL		5919 4006	1000 8946					○		
				N 30 GCT - FL		5919 4004	1000 8944				○			○
69	1	Paraolio	Oil seal	DH 32x42x4		1406 6001	1000 1253	○		○	○	○	○	○
70	1	Paraolio	Oil seal	DH 32x42x4		1406 6001	1000 1253	○		○	○	○	○	○
75(**)	1	Guarnizione	Gasket	58 x 95 x 0,5										
80	1	Portabaderna	Stuffing box		G	3615 3004	1000 6154	○	○					
					K	3615 5000	1000 6198							○
		Portatenuta	Seal box		G	3615 3356	1001 7567			○	○	○		
					K	3615 5340	1001 7568							○
80.1	4	Vite	Screw	M 6 x 25 DIN 933	S	1478 4006	1000 1934	○	○	○	○	○		
					K	1478 5066	1000 2069							○
80.2	4	Dado	Nut	M 6 DIN 934	S	1420 4006	1000 1422	○	○	○	○	○		
					K	1420 5002	1000 1433							○
80.5	1	Spina	Spring pin	3 x 20	H	1463 5006	1000 1785			○	○	○		○
82	1	Oliatore	Oil lubricator	R 1/4" KLG 4		1444 0053	1000 1671			○	○	○		○
						1444 0055	1000 1672			Ⓢ	Ⓢ	Ⓢ		Ⓢ
82.1	1	Curva	Elbow	R 1/4"	G	1601 3002	1000 2292			○	○	○		○
(*)		Serie viterie	Set of screws				1001 5171	○	○	○	○	○		
							1001 5172							○
(**)		Serie guarnizioni	Set of gasket				1001 4962	○	○	○	○	○	○	○

Note:

- 1) Completo di tappo e guarnizione (58, 58.1)
- 2) Completo di tappi (58), guarnizioni (12.3, 58.1), prigionieri (48.1), flangia (12.1) e dadi (48.2).
- 3) Completo di prigionieri (46).
- 4) Completo di ghiera (16.1, 16.2) e linguette (41, 42)
- 5) Completo viti (43) e guarnizione (31.1)

- ① + R - Con camera di preriscaldamento attorno al corpo
 ② +Y - Con by-pass
 ③ + YY - Con doppio by-pass
 ④ + R2 - Con camera di preriscaldamento sul coperchio
 ⑤ + O2 - Oliatore da 0,2 l in vetro

* Materiali di costruzione

AD10	=	Bronzo AD10
D	=	Guarnital o fibra
E3	=	Centellen VS 3820
G	=	Ghisa
GR	=	Grafite
GS	=	Ghisa sferoidale
GSH	=	Ghisa sferoidale sulfonizzata
H	=	Acciaio inox AISI 304
H2	=	Acciaio inox AISI 420
K	=	Acciaio inox AISI 316
K5	=	Acciaio inox SAF 2205
K9	=	Acciaio inox AISI 329
KNM	=	Acciaio inox AISI 316 + Nitrurazione morbida
S	=	Acciaio
SH	=	Acciaio trattato
T2	=	Acciaio K110
T3	=	Acciaio K100

Notes:

- 1) Complete with plug and gasket (58, 58.1)
- 2) Complete with plugs (58), and gaskets (12.3, 58.1), studs (48.1), flange (12.1) and nuts (48.2).
- 3) Complete with studs (46)
- 4) Complete with sleeves (16.1, 16.2) and keys (41, 42)
- 5) Complete with screws (43) and gasket (31.1)

- ① + R Heating jacket cast integral with the casing
 ② +Y - With by-pass
 ③ + YY - With double by-pass
 ④ + R2 - Heating jacket on cover
 ⑤ + O2 - With 0,2 l glass oil lubricator

* Construction materials

AD10	=	AD10 Bronze
D	=	Guarnital or fiber
E3	=	Centellen VS 3820
G	=	Cast iron
GR	=	Graphite
GS	=	Ductile cast iron
GSH	=	Sulfured graphite cast iron
H	=	AISI 304 stainless steel
H2	=	AISI 420 stainless steel
K	=	AISI 316 stainless steel
K5	=	SAF 2205 stainless steel
K9	=	AISI 329 stainless steel
KNM	=	AISI 316 stainless steel + liquid nitriding
S	=	Steel
SH	=	Hardened steel
T2	=	K110 steel
T3	=	K100 steel

Ordinare il materiale indicando sempre la quantità, la denominazione, il codice del pezzo, il tipo ed il numero della pompa. When ordering spares always indicate type and serial number of pump, quantity, part name, and number.

VARISCO S.p.A.

35129 Padova - Z.I. Nord Terza Strada, 9

Tel. 049 82 94 111

+39 049 82 94 111

Fax 049 82 94 373

International +39 049 80 76 752

