
ED620253

Spare Parts Catalogue



9LD625-2

Update Date 10/03/2016

Print Date 24/03/2016

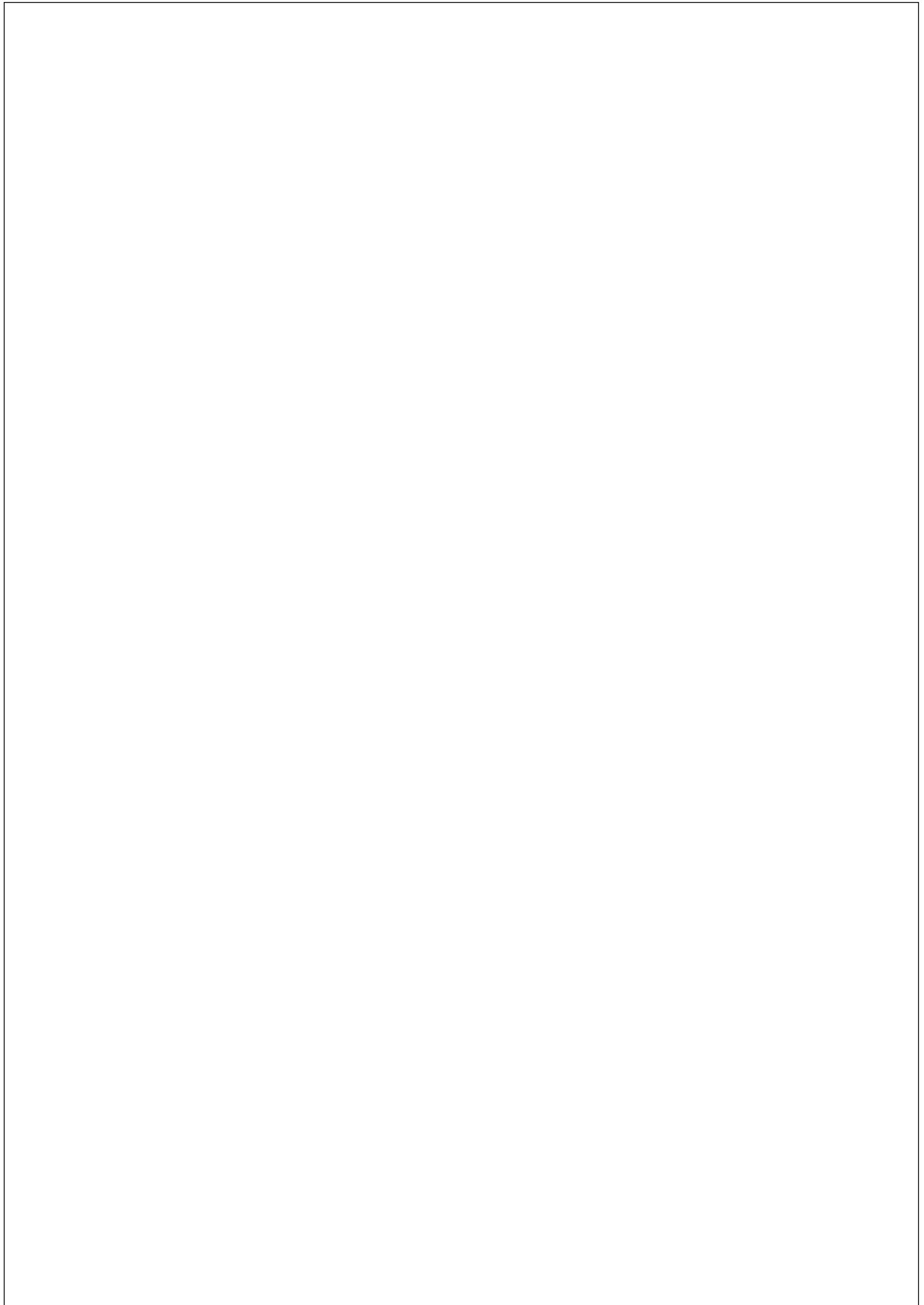


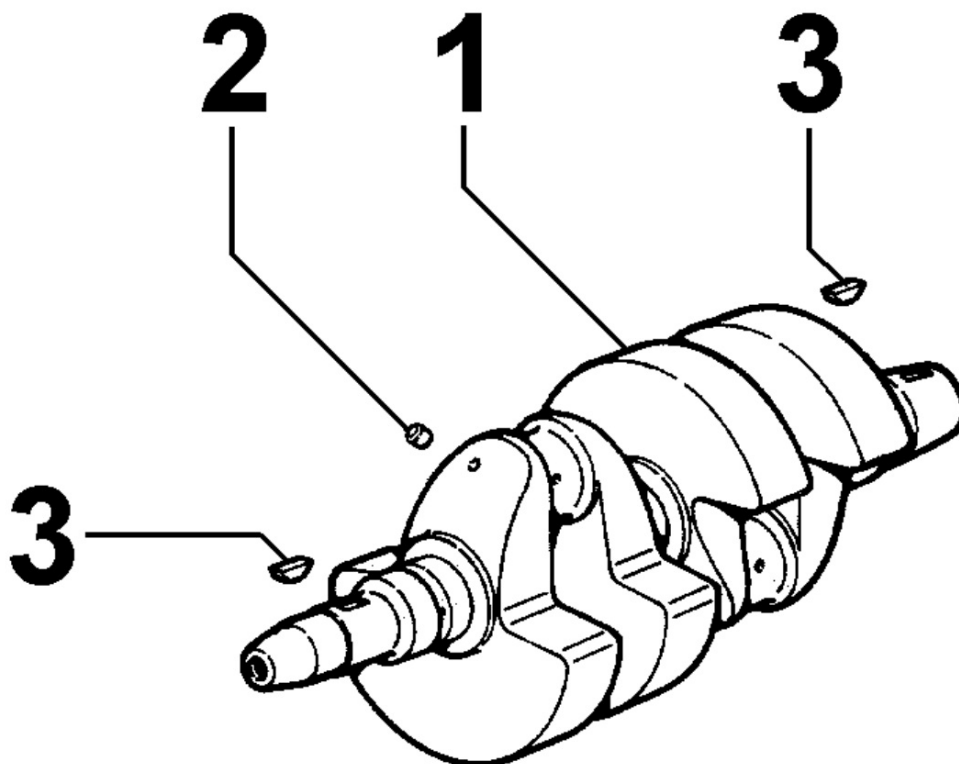
Tavola ricambi

Index	Description
8010090020	CRANKSHAFT
8011090020	PISTON / CONNECTING ROD
8012090010	FLYWHEEL
8020090130	CRANKCASE
8021090120	CYLINDER HEAD
8022090020	HEAD COVER
8023090010	FLYWHEEL SIDE SUPPORT
8024090010	CRANKCASE COVER
8026090010	CRANKSHAFT CENTRAL SUPPORT
8027090050	TIMING SYSTEM CLOSURE PLATE
8030090110	INJECTION SYSTEM
8035090020	CAMSHAFT
8036090040	ROCKER ARMS / VALVES
8038090010	TIMING GEAR
8040090010	OIL PUMP
8041090030	OIL PAN
8042090130	OIL FILTER
8043090020	OIL DIPSTICK
8044090020	OIL PRESSURE VALVE
8045090070	BREATHER SYSTEM
8050090090	SPEED GOVERNOR
8051090090	CONTROLS
8061090020	FUEL FILTER
8062090070	FUEL FEED PUMP
8064090170	FUEL PIPING
8070090020	AIR SHROUD
8071090010	COOLING FAN
8072090080	COOLING PLATES
8080090020	AIR INLET MANIFOLD / AIR FILTER
8081090140	AIR CLEANER
8082090050	AIR INLET ACCESORIES
8085090030	EXHAUST GAS MANIFOLD
8087090060	EXHAUST GAS ACCESSORIES
8100090050	VOLTAGE ALTERNATOR
8101090010	STARTING MOTOR
8102090050	OIL PRESSURE SWITCH

Tavola ricambi

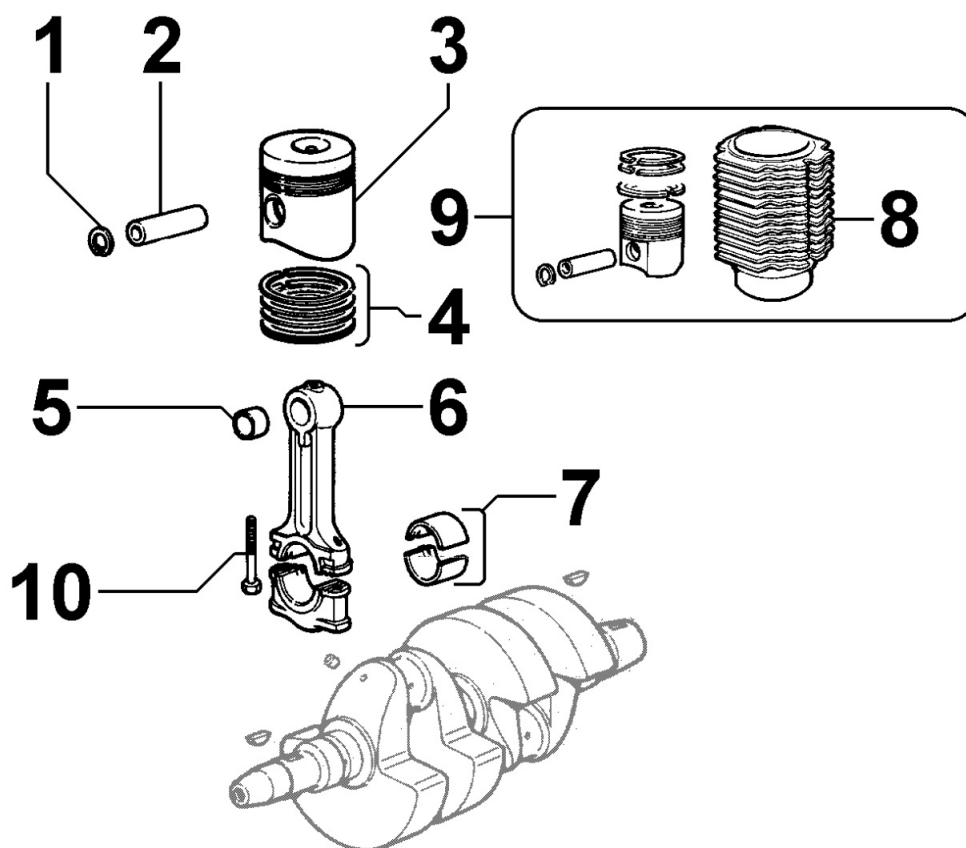
Index	Description
8104090010	TEMPERATURE SWITCHES

8010090020 - CRANKSHAFT



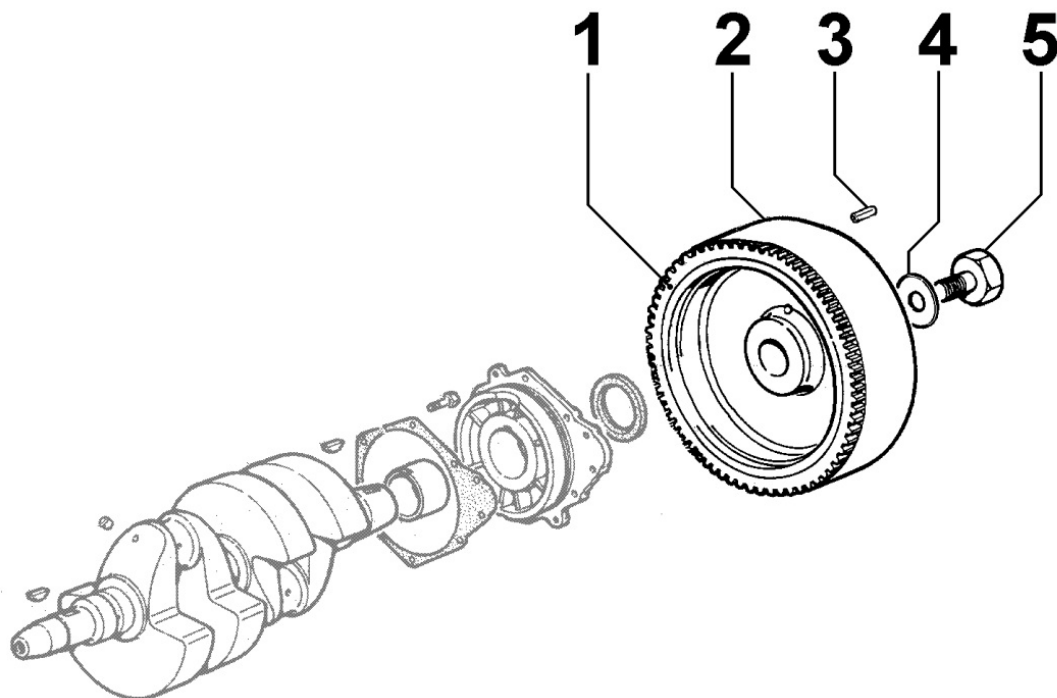
Pos	Kit	Included In	Code	Description	Qty	Old Code	Tech. Info
1	(A)		ED0010507850-S	CRANKSHAFT	1		
3		(A)	ED0022800560-S	KEY	2		

8011090020 - PISTON / CONNECTING ROD



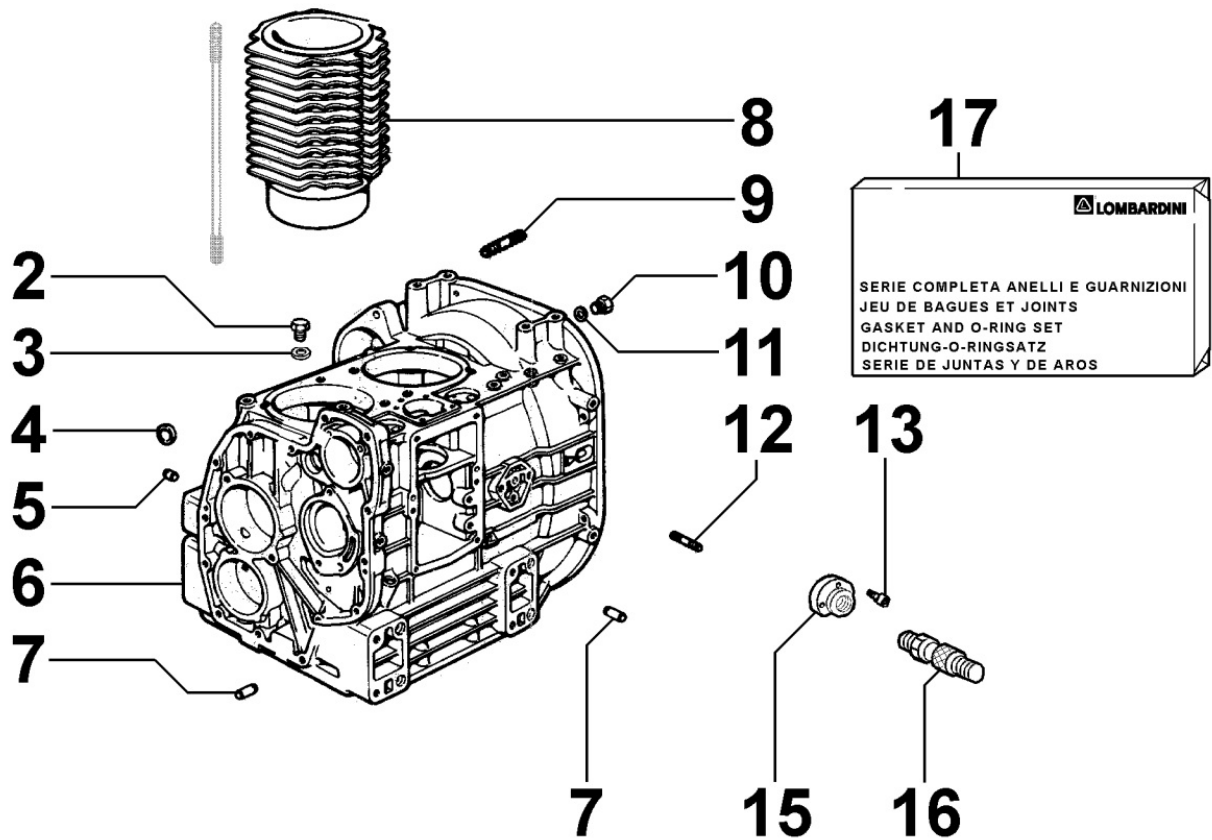
Pos	Kit	Included In	Code	Description	Qty	Old Code	Tech. Info
1		(B)	ED0012400220-S	SNAP RING	4		
2		(B)	ED0084800290-S	PISTON PIN	2		
3	(B)	(D)	ED0065002720-S	PISTON STD.	2		
3	(B)	(D)	ED0065002730-S	PISTON +0.5	2		
3	(B)	(D)	ED0065002740-S	PISTON +1	2		
4		(B)	ED0082112090-S	RINGS STAND.	2		
4		(B)	ED0082112100-S	RINGS +0.5	2		
4		(B)	ED0082112110-S	RINGS +1	2		
5		(A)	ED0016300140-S	S.ENDBRNG	1		
6	(A)		ED0015261110-S	CONNECTING ROD	2		
7			ED0016400590-S	BEARING STD	2		
7			ED0016400600-S	BEAR.-0.25	2		
7			ED0016400610-S	BEAR.-0.50 =<>	2		
8		(D)		802009...0			
9	(D)		ED0048980860-S	PISTON/CYLINDER ASSY 9/11LD 625	2	ED0048980310-S	
10		(A)	ED0017701090-S	BOLT	4		

8012090010 - FLYWHEEL



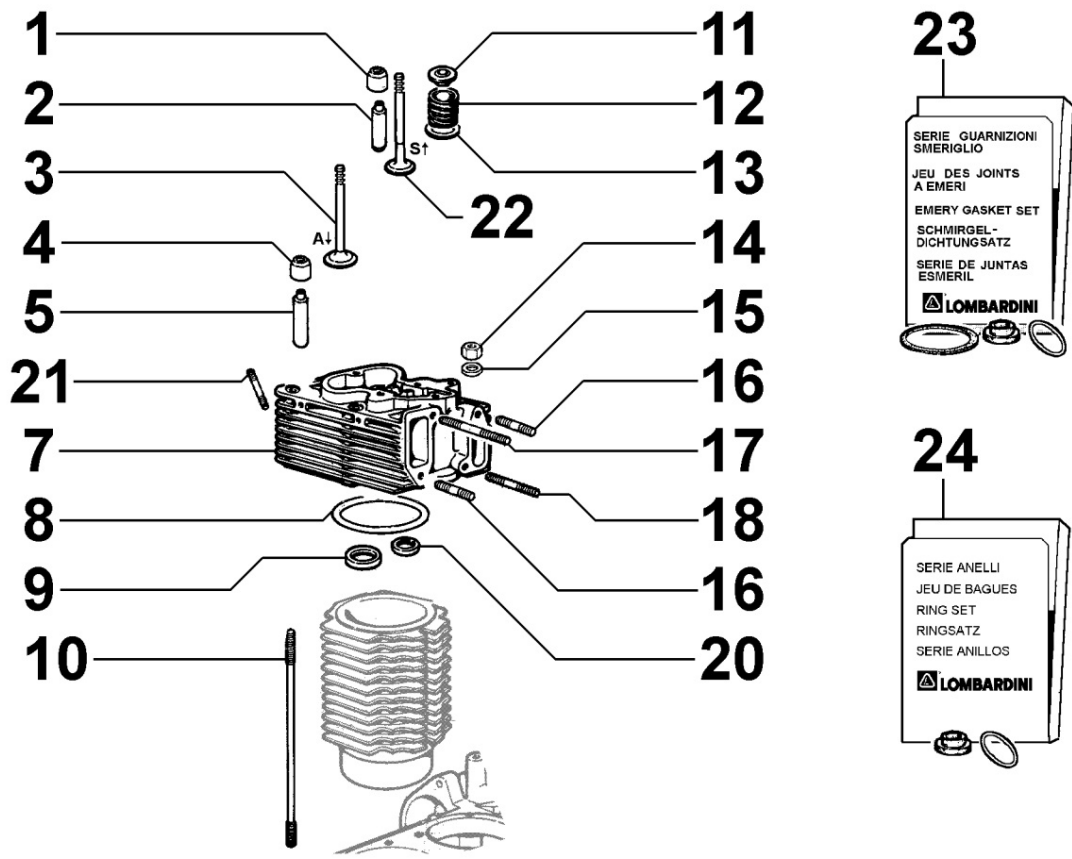
Pos	Kit	Included In	Code	Description	Qty	Old Code	Tech. Info
1		(A)	ED0028160250-S	RING GEAR	1		
2	(A)		ED0098801240-S	VOLANO/FLYWHEEL D **	1		
4			ED0051110050-S	RET.PLATE	1		
5			ED0018610450-S	BOLT	1		

8020090130 - CRANKCASE







Pos	Kit	Included In	Code	Description	Qty	Old Code	Tech. Info
3		(A) (B)	ED0046700600-S	C.GASKET	1		
4		(A) (B) (C)	ED0090800830-S	CAP	1		
5		(A) (B) (C)	ED0090801330-S	CAP	3		⚠
6	(A)		ED0015111110-S	CRANKCASE	1		⚠
7		(A)	ED0084600550-S	PIN	4		
8			ED0023805460-S	CYLINDER	2		
9		(A)		810109...0	1		
10		(A) (B)	ED0089650340-S	PLUG	1		
11		(A) (B)	ED0046700580-S	COPPER GASKET	1		
12		(A) (B) (C)	ED0067800080-S	STUD	2		
17			ED0082050990-S	GASK.+O.R.SET	1		⚠

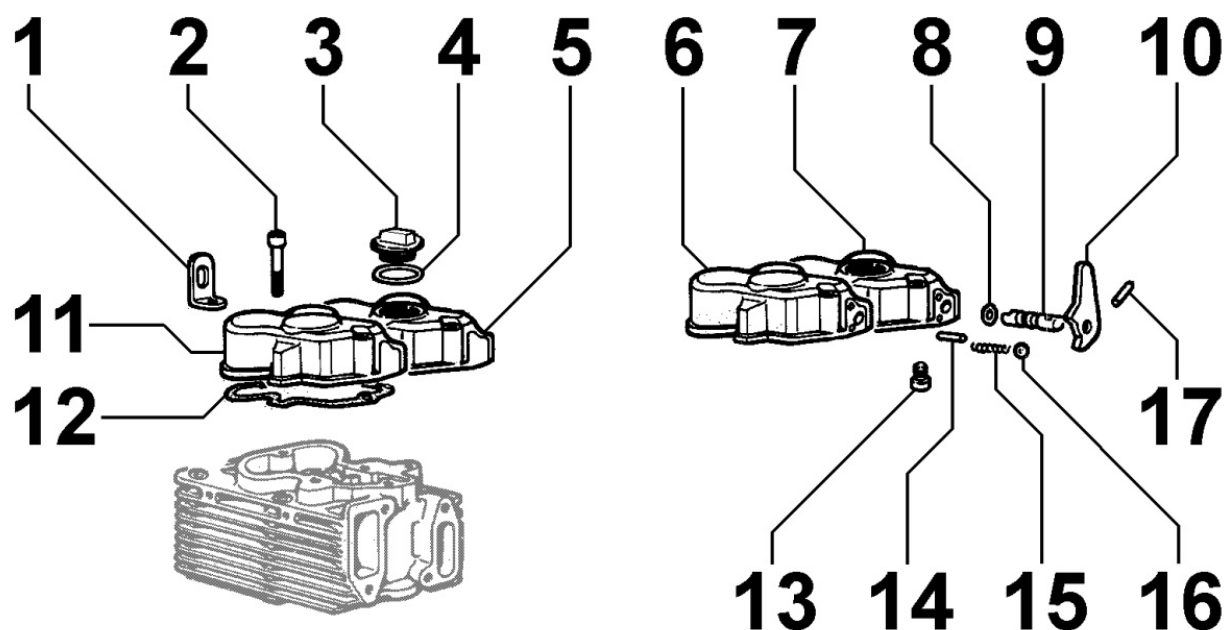
8021090120 - CYLINDER HEAD



Pos	Kit	Included In	Code	Description	Qty	Old Code	Tech. Info
1		(A)	ED0012133380-S	SEAL RING	2		▲
2		(A)	ED0048452480-S	GUIDE	2		▲
3		(A)	ED0096521530-S	INTAKE VALVE	2		▲
5		(A)	ED0048452470-S	GUIDE	2		▲
7	(A)		ED0092007110-S	CYLINDER HEAD ASSY	2	ED0092008440-S	▲
8			ED0047300840-S	HEAD GASKET 0.60	2		
8			ED0047300850-S	GASKET	2		
8			ED0047300860-S	HEAD GASKET 0.80	2		
8			ED0047300870-S	HEAD GASKET 0.90	2		
8			ED0047300880-S	HEAD GASKET 1.00	2		
8			ED0047301930-S	HEAD GASKET 0.65	2		
8			ED0047301940-S	HEAD GASKET 0.75	2		
8			ED0047301950-S	HEAD GASKET 0.85	2		
8			ED0047301960-S	HEAD GASKET 0.95	2		
8			ED0047302520-S	HEAD GASKET 0.50	2		
8			ED0047302530-S	HEAD GASKET 0.55	2		
8			ED0047303490-S	HEAD GASKET 0.45	2		
9		(A)	ED0080002120-S	VALVE SEAT	2		▲
10			ED0068501030-S	STUD	8		
11		(A)	ED0064101120-S	CAP	4	ED0080570180-S	▲
12		(A)	ED0057551730-S	SPRING	2		▲
13		(A)	ED0034300670-S	DISK	2		
14			ED0032401240-S	HEX.NUT	8		
15			ED0076251250-S	WASHER	8		
16		(A)		808009...0	2		

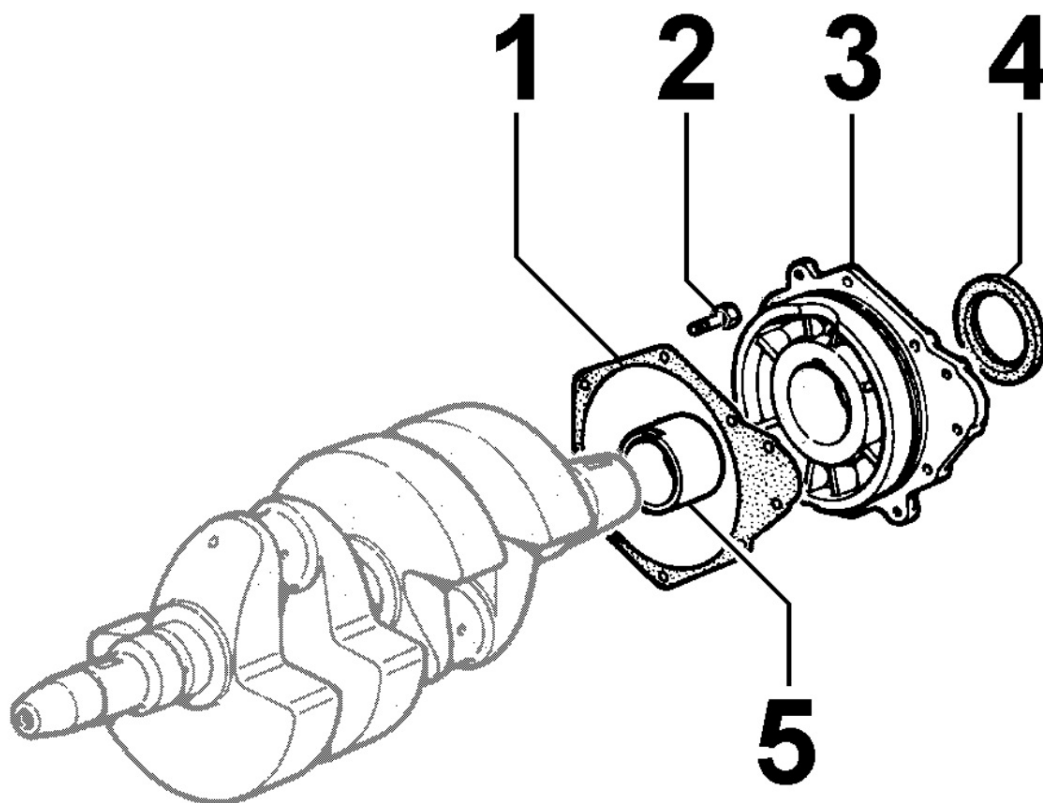
Pos	Kit	Included In	Code	Description	Qty	Old Code	Tech. Info
16		(A)		808009...0	2		
17		(A)		808009...0	1		
18		(A)		808009...0	1		
20		(A)	ED0080002130-S	VALVE SEAT	2		
21		(A)		803009...0	2		
22		(A)	ED0096851460-S	EXH.VALVE	2		
23			ED0081850220-S	GASKET SET (UPPER)	1		
24			ED0081500160-S	O RING SET	1		

8022090020 - HEAD COVER



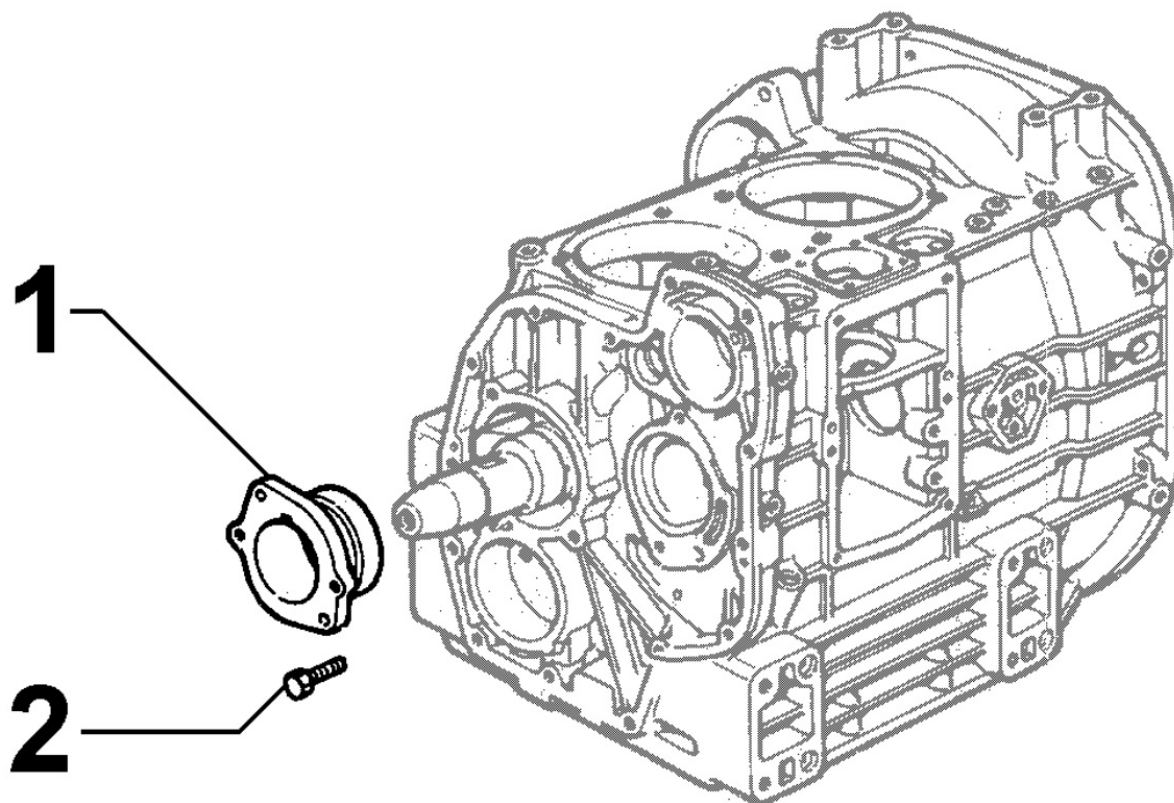
Pos	Kit	Included In	Code	Description	Qty	Old Code	Tech. Info
1			ED0085060030-S	AN.BRACKET	2		
2			ED0097320750-S	SCREW	4		
3			ED0090320790-S	FILLERPL.	1		⚠
4			ED0012000150-S	O RING	1		
5			ED0021253380-S	COVER	1		⚠
11			ED0021253390-S	COVER	1		⚠
12			ED0044000610-S	GASKET	2		

8023090010 - FLYWHEEL SIDE SUPPORT



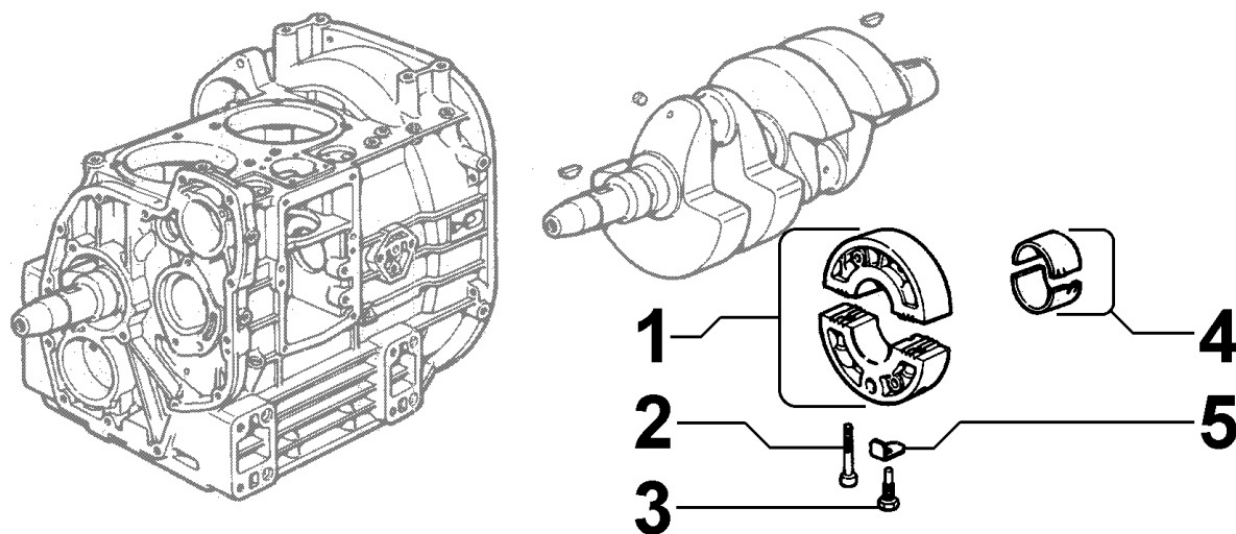
Pos	Kit	Included In	Code	Description	Qty	Old Code	Tech. Info
1			ED0047011100-S	GASKET	1		
1			ED0047011100-S	GASKET	1	ED0047010500-S	
1			ED0047010490-S	GASKET	1		
2			ED0017701500-S	BOLT	8		
3	(A)		ED0086752900-S	SUPPORT	1		▲
4		(A)	ED0012135510-S	SEAL RING. 50X70X10	1		
5			ED0016111620-S	BEAR.-0.50	1		▲
5			ED0016111610-S	BEAR.-0.25	1		▲
5		(A)	ED0016111600-S	BEAR.STAND.	1		▲

8024090010 - CRANKCASE COVER



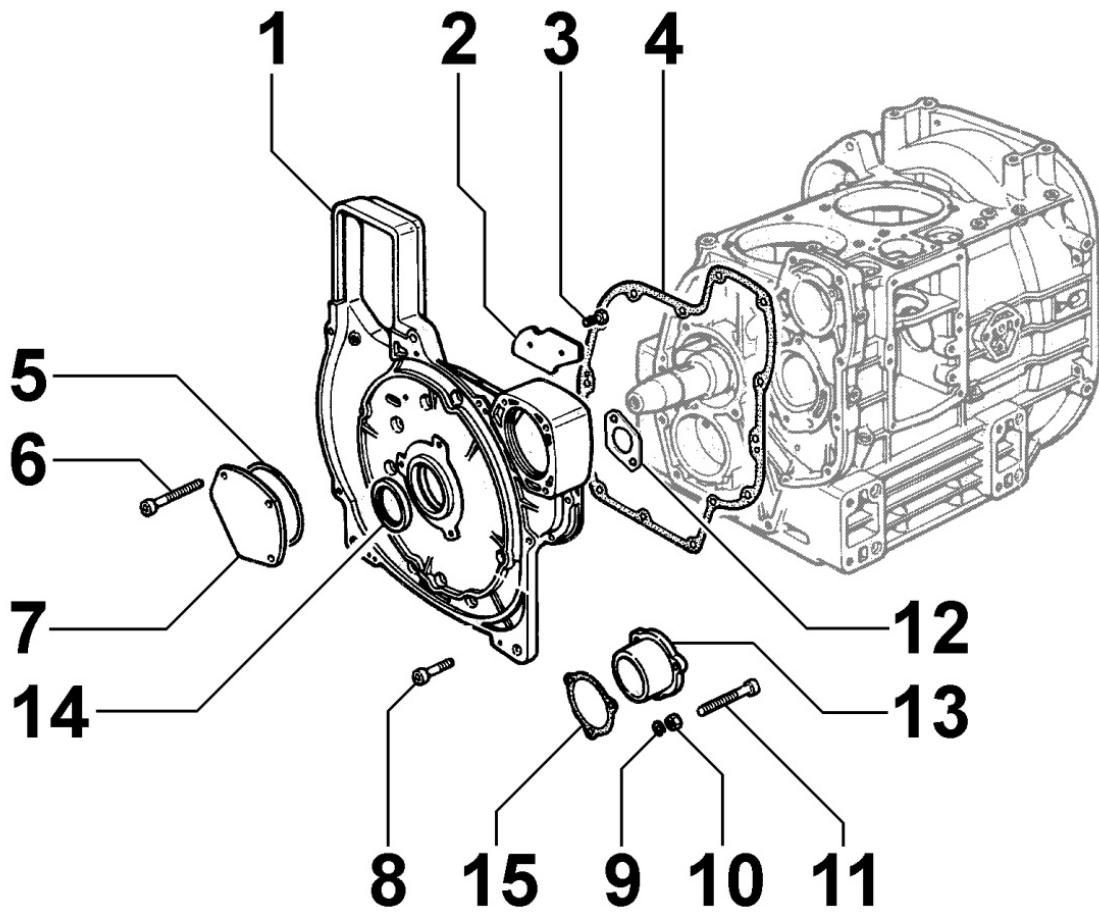
Pos	Kit	Included In	Code	Description	Qty	Old Code	Tech. Info
1			ED0086752680-S	SUPPORT-0.50	1		
1			ED0086752660-S	SUPPORT STD.	1		
1			ED0086752670-S	SUPPORT-0.25	1		
2			ED0017701560-S	BOLT	2		

8026090010 - CRANKSHAFT CENTRAL SUPPORT



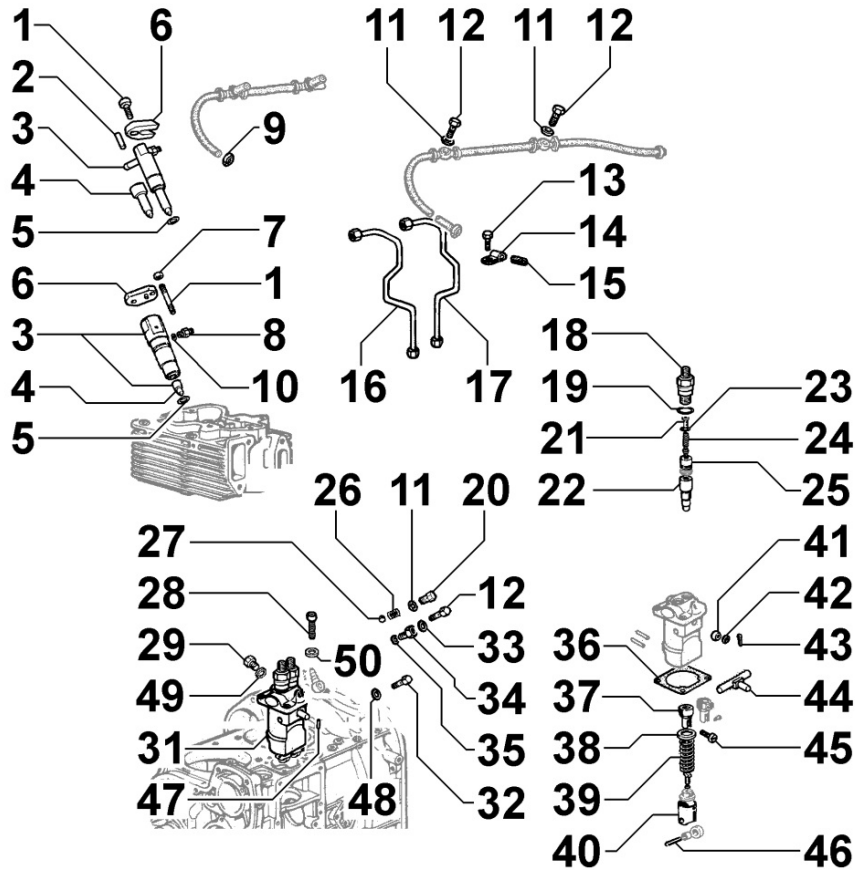
Pos	Kit	Included In	Code	Description	Qty	Old Code	Tech. Info
1	(A)		ED0086760570-S	SUPPORT	1		
2		(A)	ED0097300340-S	CAPSCREW	2		
3			ED0018621440-S	BOLT	1		
4			ED0016100990-S	BEAR.-0.50	1		
4			ED0016100980-S	BEAR.-0.25	1		
4			ED0016100820-S	BEAR.STAND.	1		
5			ED0051110690-S	RETAINER	1		

8027090050 - TIMING SYSTEM CLOSURE PLATE



Pos	Kit	Included In	Code	Description	Qty	Old Code	Tech. Info
1	(A)		ED0089004630-S	SUPPORT	1		
2		(A)	ED0051681030-S	RETAINER	1		
3		(A)	ED0017600010-S	BOLT	2		
4			ED0047010390-S	GASKET	1		
6			ED0097300350-S	ALLEN SCREW	3		
8			ED0097320630-S	CAPSCREW	11		
9			ED0076250100-S	WASHER	6		
10			ED0032400180-S	HEX.NUT	3		
11			ED0097300320-S	SCREW	3		
12			ED0047755250-S	GASKET	1		
13			ED0027510960-S	COVER	1		
14		(A) (B)	ED0012135520-S	SEAL RING. 42X58X10	1		

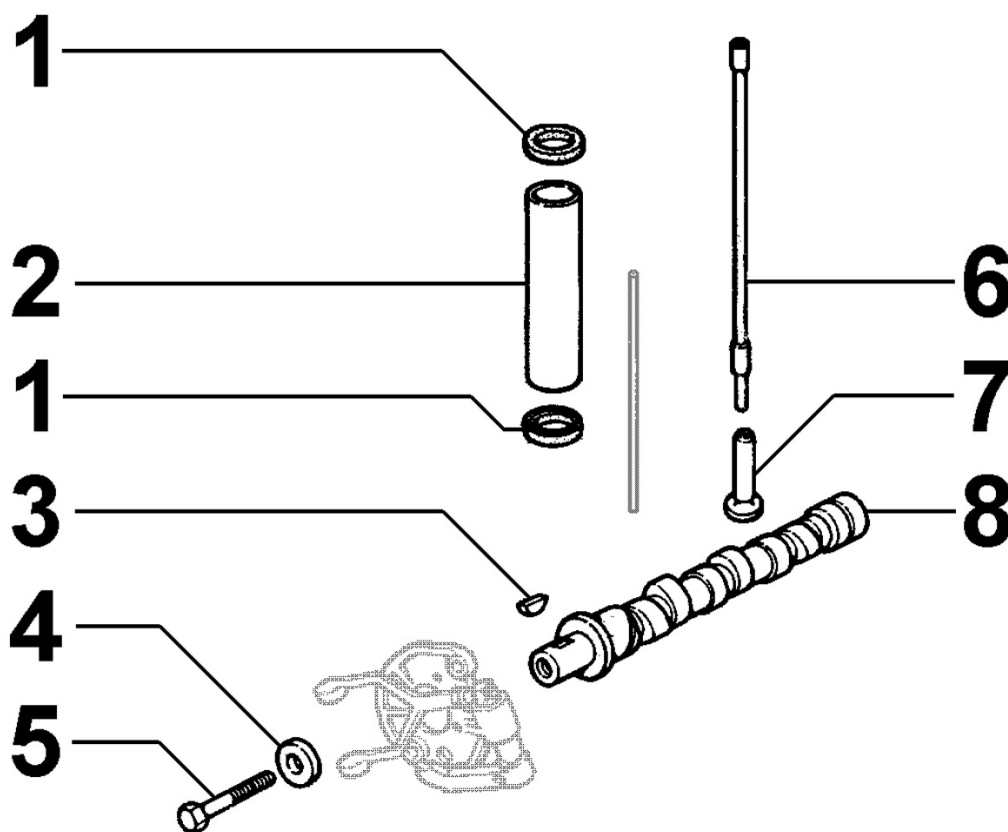
8030090110 - INJECTION SYSTEM



Pos	Kit	Included In	Code	Description	Qty	Old Code	Tech. Info
1			ED0067600450-S	STUD	4		
3	(B)		ED0066150180-S	NOZZLEHL.	2		⚠
4		(B)	ED0065312650-S	NOZZLE	1		⚠
5			ED0046700050-S	GASKET	2		
5			ED0046700060-S	GASKET	2		
6			ED0037900740-S	FLANGE	2		
7			ED0032030500-S	NUT	4		
8		(B)	ED0073010060-S	UNION	1		
10			KDISC.		1	ED0046500370-S	
10		(B)		POS. 3			
11			ED0046700580-S	COPPER GASKET	6		
12			ED0015700560-S	FILLER CAP	1		
12			ED0019010290-S	UNION BOLT	2		
13			ED0017702270-S	CAPSCREW M5X10	2		
14			ED0036172550-S	CLAMP	2		
16			ED0093760570-S	PIPE	1		⚠
17			ED0093760560-S	FUEL TUBE	1		⚠
21		(A)	ED0074700030-S	FILLER	2		
22		(A)	ED0065781240-S	INJ.PLUNGER	2		
24		(A)	ED0057550340-S	SPRING	2		
25		(A)	ED0096720120-S	DELI.VALVE	2		
26			ED0028000030-S	COTTER PIN	1		
26		(D)	ED0058010370-S	SPRING	1		
27		(D)	ED0019010120-S	BOLT	1	ED0082550110-S	
28			ED0017701560-S	BOLT	3		
31	(A)		ED0065903750-S	INJ.PUMP	1		

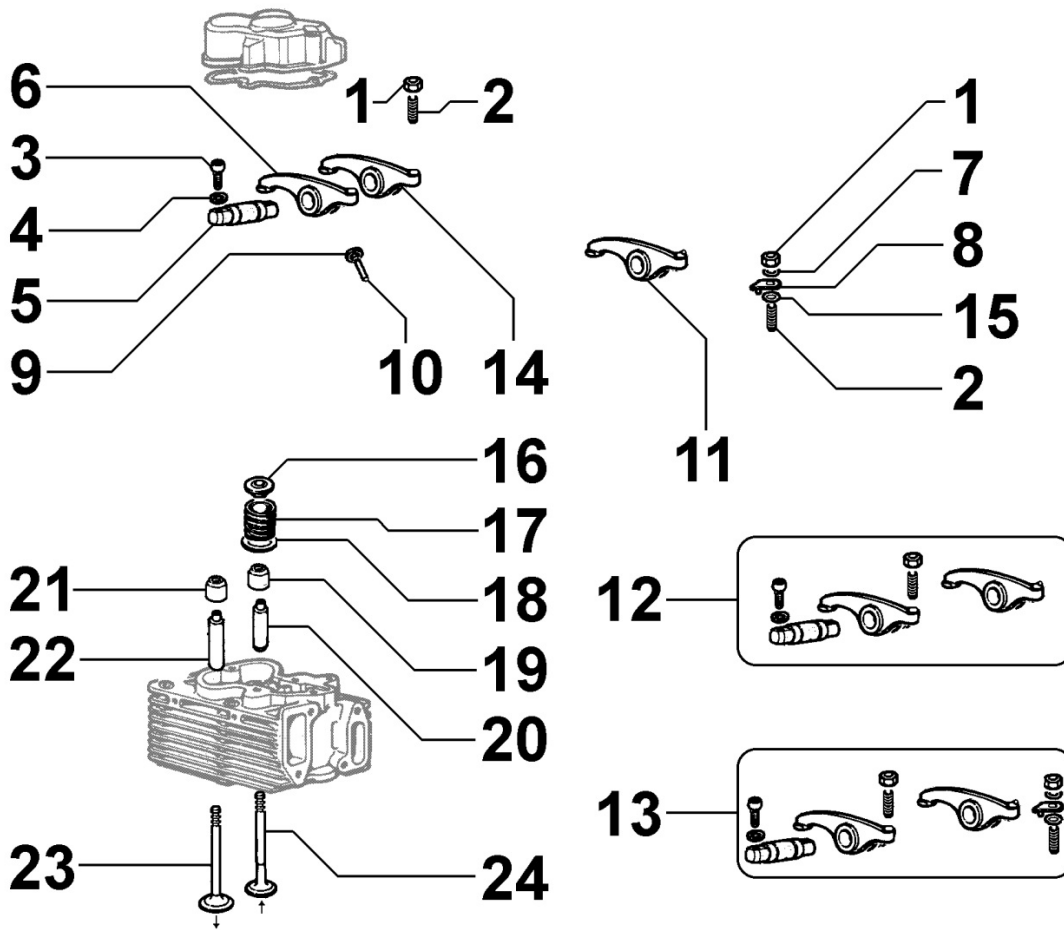
Pos	Kit	Included In	Code	Description	Qty	Old Code	Tech. Info
31	(A)		ED0065903750-S	INJ.PUMP	1		
34	(D)		ED0019010120-S	BOLT	1	ED0019010130-S	
36			ED0045800020-S	GASKET	3		
36			ED0045800090-S	GASKET	1		
36			ED0045800680-S	GASKET	2		
36			ED0045801930-S	GASKET	2		
41			ED0015800230-S	BUSHING	1		
42			ED00771R0010-S	WASHER	1		
44		(A)		POS. 31			
46		(A)		POS. 31			
47			ED0084000480-S	PARAL.PIN	1		
48			ED0046700010-S	GASKET	1		
49			ED0046700600-S	C.GASKET	2		

8035090020 - CAMSHAFT



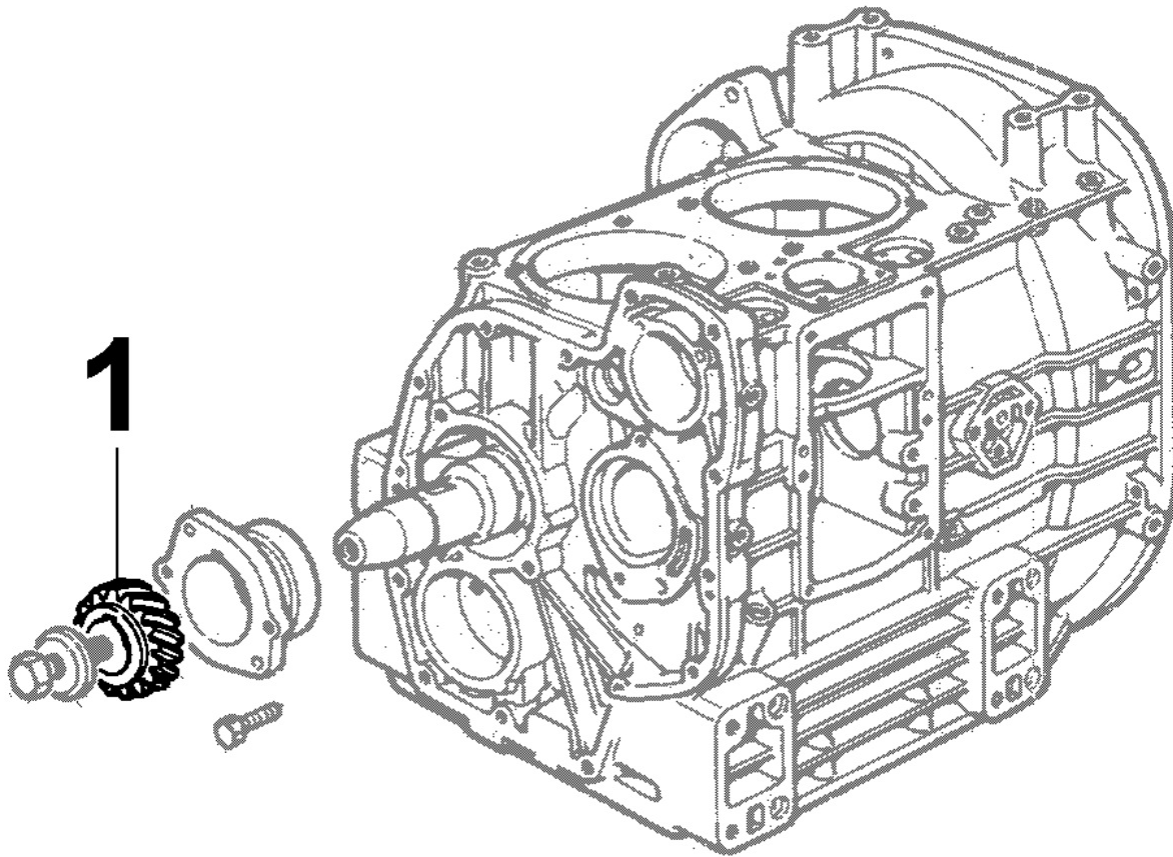
Pos	Kit	Included In	Code	Description	Qty	Old Code	Tech. Info
1			ED0047400240-S	GASKET	4		
2			ED0095200450-S	PROT.TUBE	2		
3			ED0022800470-S	KEY	1		
4			ED0076260380-S	WASHER	1		
5			ED0017800590-S	BOLT	1		
6			ED0014102050-S	PUSHROD COMPLETE	4		
7			ED0072150430-S	TAPPET	4		
8			ED0010111100-S	CAMSHAFT	1		

8036090040 - ROCKER ARMS / VALVES



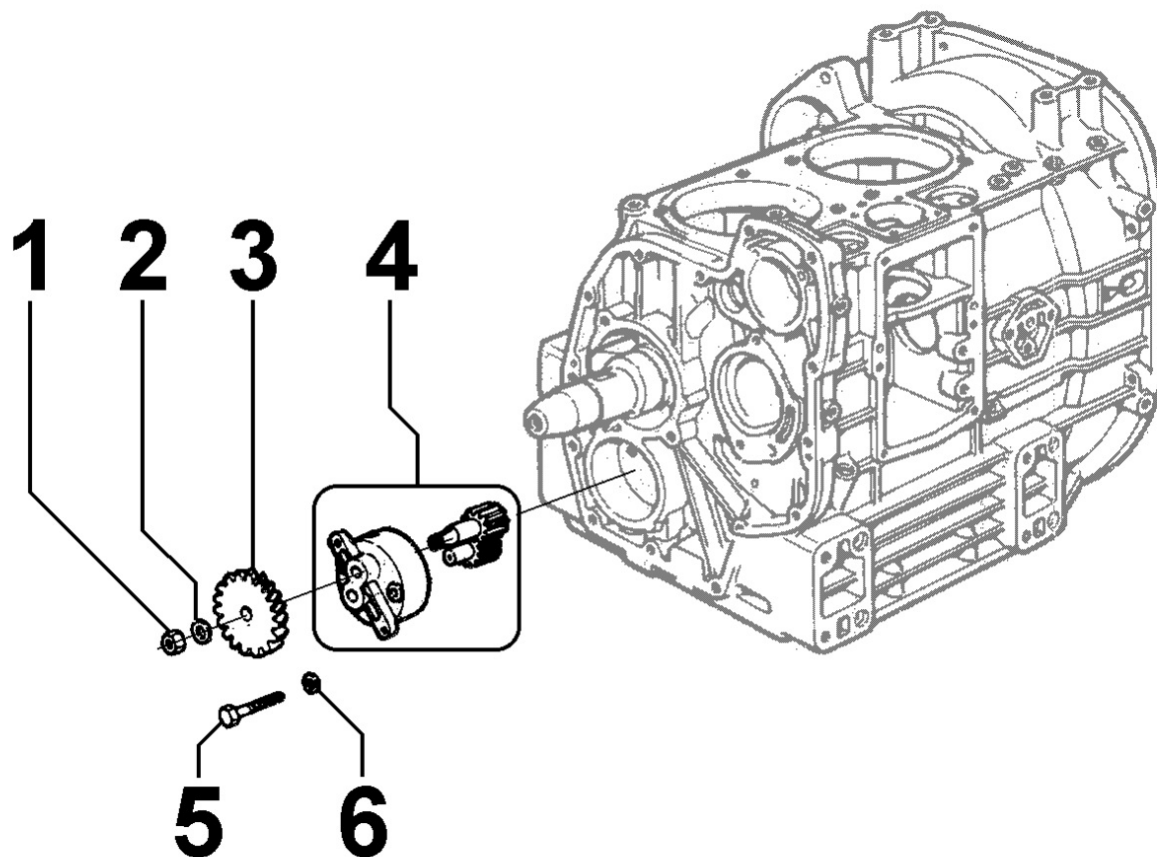
Pos	Kit	Included In	Code	Description	Qty	Old Code	Tech. Info
1		(A) (B) (D) (E)	ED0032400100-S	HEX.NUT	1		
2		(A) (B) (D) (E)	ED0098500020-S	ADJ.SCREW	1		
3		(D) (E)	ED0097301000-S	SCREW	4		
4		(D) (E)	ED0075650070-S	SP.WASHER	4		
5		(D) (E)	ED0060450400-S	R.ARMSHAFT	2		
6	(B)	(D) (E)	ED0015412320-S	BILANC./ROCKERARM N	2		
9		(D) (E)	ED0013500110-S	RING	2		
10		(D) (E)	ED0094550530-S	TUBE	2		
12	(D)		ED0043300360-S	R.A.ASS.Y	2		
14	(A)	(D)	ED0015412310-S	BILANC./ROCKERARM N	2		

8038090010 - TIMING GEAR



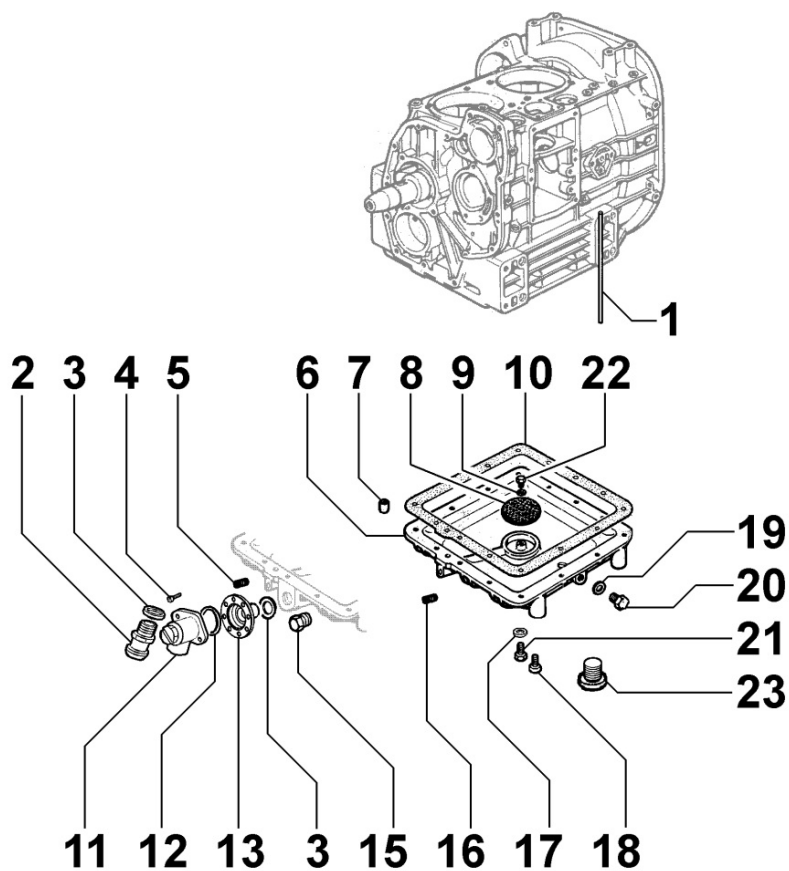
Pos	Kit	Included In	Code	Description	Qty	Old Code	Tech. Info
1			ED0049360420-S	GEAR	1		

8040090010 - OIL PUMP



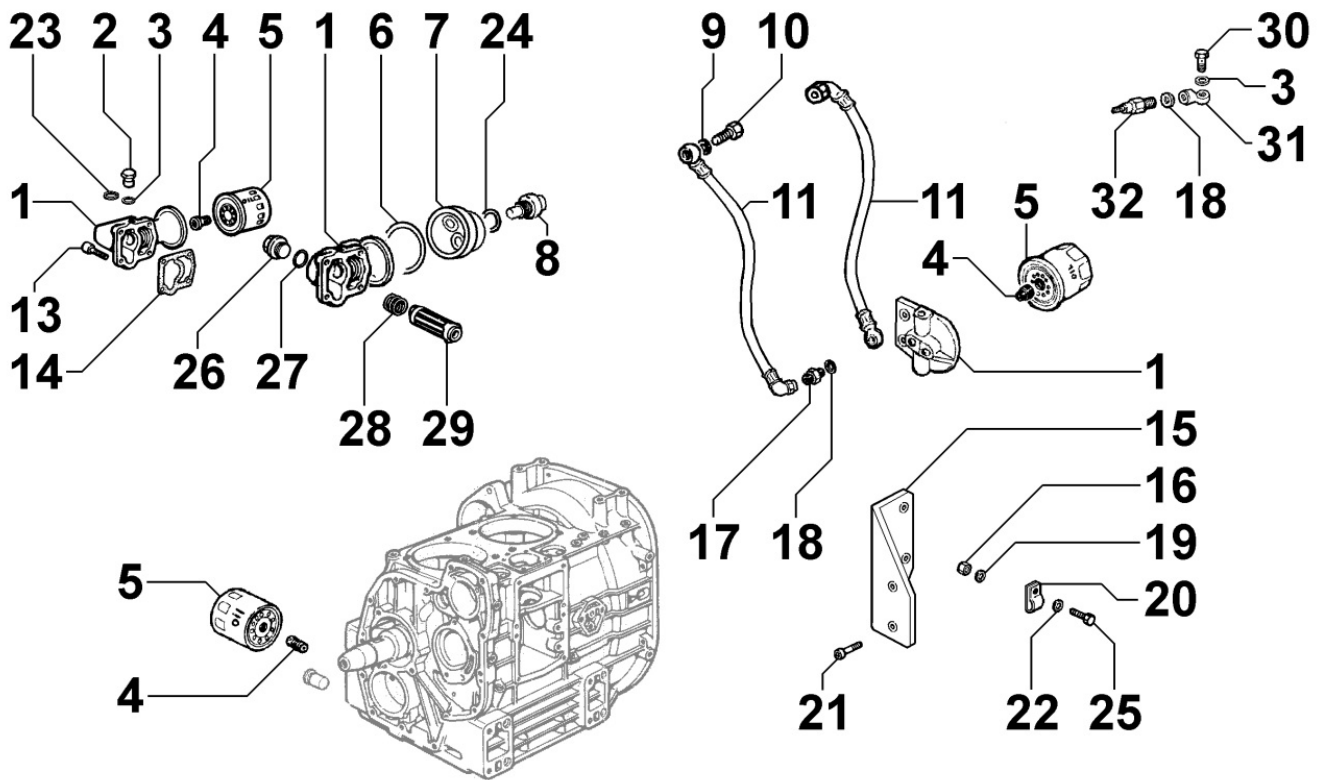
Pos	Kit	Included In	Code	Description	Qty	Old Code	Tech. Info
1			ED0032400360-S	HEX.NUT	1		
2			ED0075650110-S	LOCK WASHER M10	1		
3			ED0049360090-S	GEAR	1		
4			ED0066050370-S	OIL PUMP	1		
5			ED0017700090-S	BOLT	2		
6			ED0075650070-S	SP.WASHER	2		

8041090030 - OIL PAN



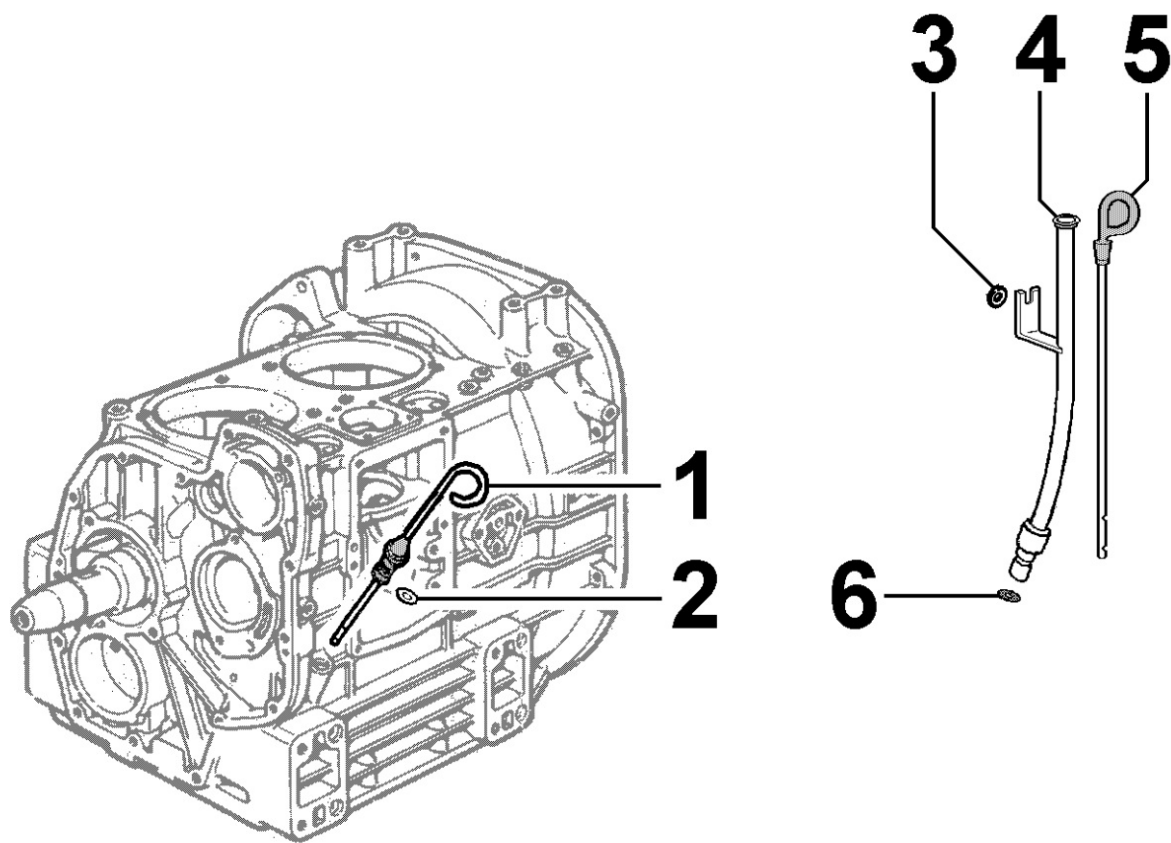
Pos	Kit	Included In	Code	Description	Qty	Old Code	Tech. Info
1			ED0094551310-S	TUBE	2		
5		(A)	ED0090801820-S	SCREW	1		
6	(A)		ED0066456390-S	OIL PAN	1		
7			ED0084300650-S	TAPER PIN	1		
8		(A)	ED0050900100-S	SUMPPLATE	1		
9		(A)	ED0075650040-S	SP.WASHER	1		
10			ED0046011770-S	GASKET	1		
18			ED0017701550-S	BOLT	14		
19		(A)	ED0046700160-S	GASKET	3		
20		(A)	ED0089650050-S	CAP	2		
22		(A)	ED0097610430-S	CAPSCREW M6X10	1		
23			ED0090400120-S	PLUG	1		

8042090130 - OIL FILTER



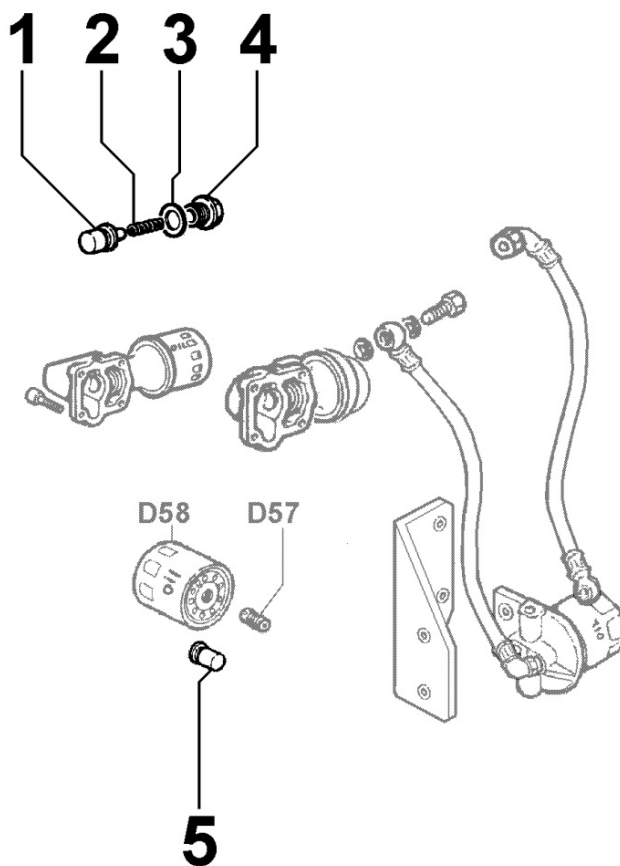
Pos	Kit	Included In	Code	Description	Qty	Old Code	Tech. Info
4			ED0072650210-S	UNION	1		
5			ED0021751070-S	OIL FILTER CARTRIDGE	1		

8043090020 - OIL DIPSTICK



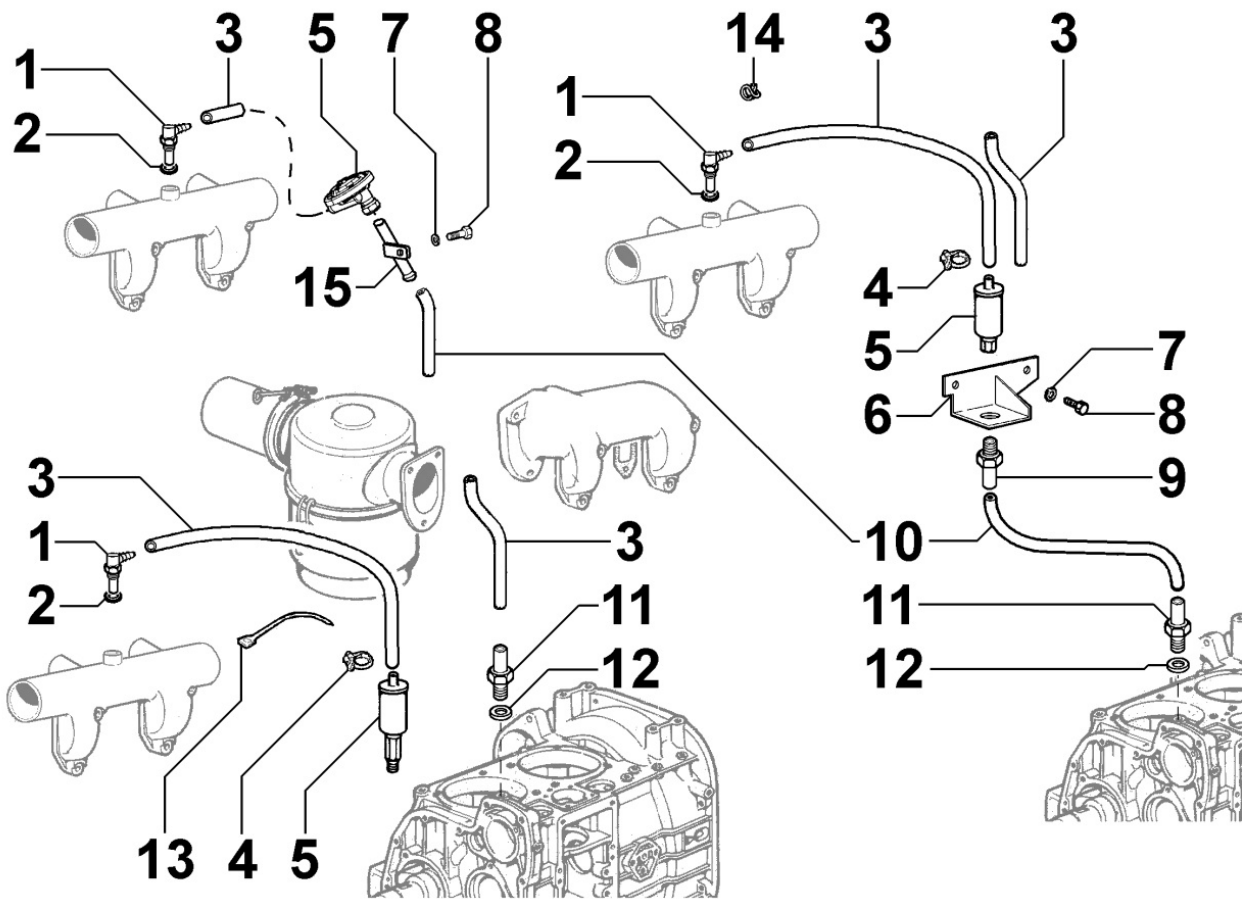
Pos	Kit	Included In	Code	Description	Qty	Old Code	Tech. Info
2		(A)	ED0012003250-S	O RING	3		
5	(A)		ED0014005150-S	BLACK COMPLETE OIL DIPSTICK GR.9	1		

8044090020 - OIL PRESSURE VALVE



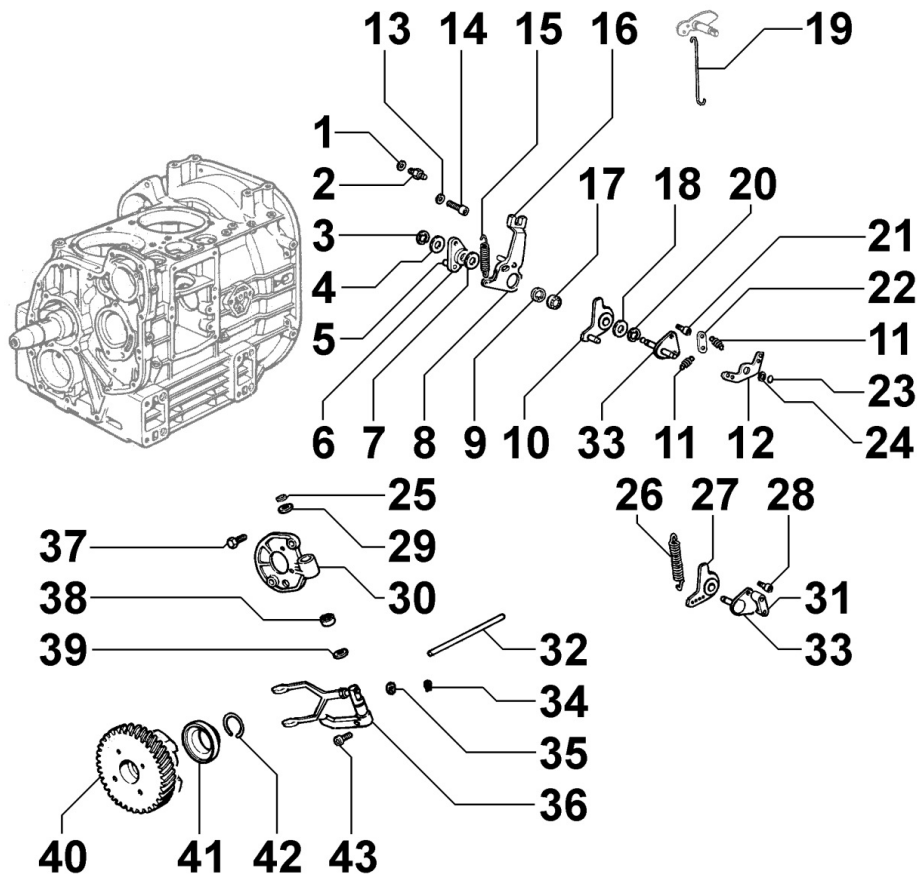
Pos	Kit	Included In	Code	Description	Qty	Old Code	Tech. Info
5			ED0096800580-S	VALVOLA MAX.PRESS. OLIO COMPL.	1		


8045090070 - BREATHER SYSTEM



Pos	Kit	Included In	Code	Description	Qty	Old Code	Tech. Info
3			ED0094001630-S	SUCTIONNL.	1		
11			ED0073011440-S	UNION FOR DEPRESSION PIPE	1		
12			ED0046700140-S	GASKET	1		

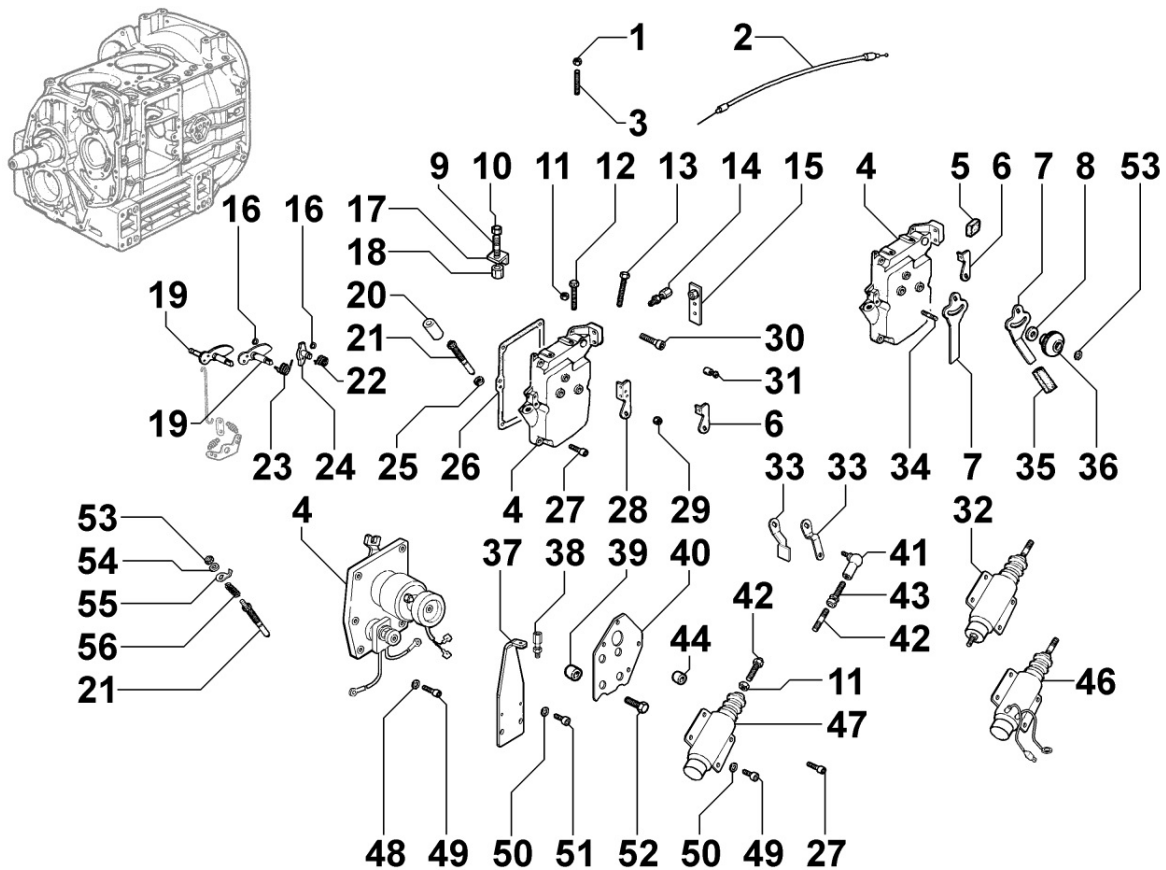
8050090090 - SPEED GOVERNOR



Pos	Kit	Included In	Code	Description	Qty	Old Code	Tech. Info
1			ED0075550040-S	WASHER	1		
2			ED0060400150-S	STUD	1		
3		(A)	ED0012400010-S	RING	1		
4		(A)	ED0076251030-S	WASHER R7626-051	1		
5		(A)		POS. 16	1		
6		(A)	ED0052002500-S	LEVER	1		
7		(A)	ED0076251040-S	WASHER R7626-051 GP10 ONLY	1		
9		(A)	ED0012410090-S	SNAP RING	2		
13		(A)	ED0076250120-S	WASHER	1		
15			ED0058011800-S	MOLLA/SPRING N	1		
16	(A)		KDISC.		1	ED0052002650-S	
16	(A)		KDISC.		1	ED0052002710-S	
16		(A)	ED0052007600-S	LEVA/LEVER	1		
17		(A)	ED0030000040-S	B.BEARING	3		
21		(A)	ED0097300240-S	ALLEN SCREW	2		
25		(B)	ED0012400050-S	SNAP RING	1		
26			ED0056550760-S	SPRING	1		
27		(A)		POS. 16	1		
28			ED0097320630-S	CAPSCREW	2		
30			ED0087850530-S	SUPPORTO LEVA	1		
31			ED0035210380-S	SPACER	1		
32			ED0060800220-S	GOVERNOR PUSH ROD	1		
33		(A)	ED0087850700-S	SUPPORT R8785-063 GP10 ONLY	1		
34		(B)	ED0012400770-S	SNAP RING	1		
36	(B)		ED0048820460-S	FORK.AS.	1		
37			ED0017701500-S	BOLT	2		
38		(B)	ED0015850250-S	NDL.BEAR.	2		

Pos	Kit	Included In	Code	Description	Qty	Old Code	Tech. Info
38		(B)	ED0015850250-S	NDL.BEAR.	2		
39		(B)	ED0076260400-S	WASHER	2		
40	(D)		ED0073623960-S	SPEED GOVERNOR	1		
41		(D)	KDISC.		1	ED0020861400-S	
42		(D)	ED0011600220-S	STOPRING	1		
43		(B)	ED0097301070-S	SCREW	1		

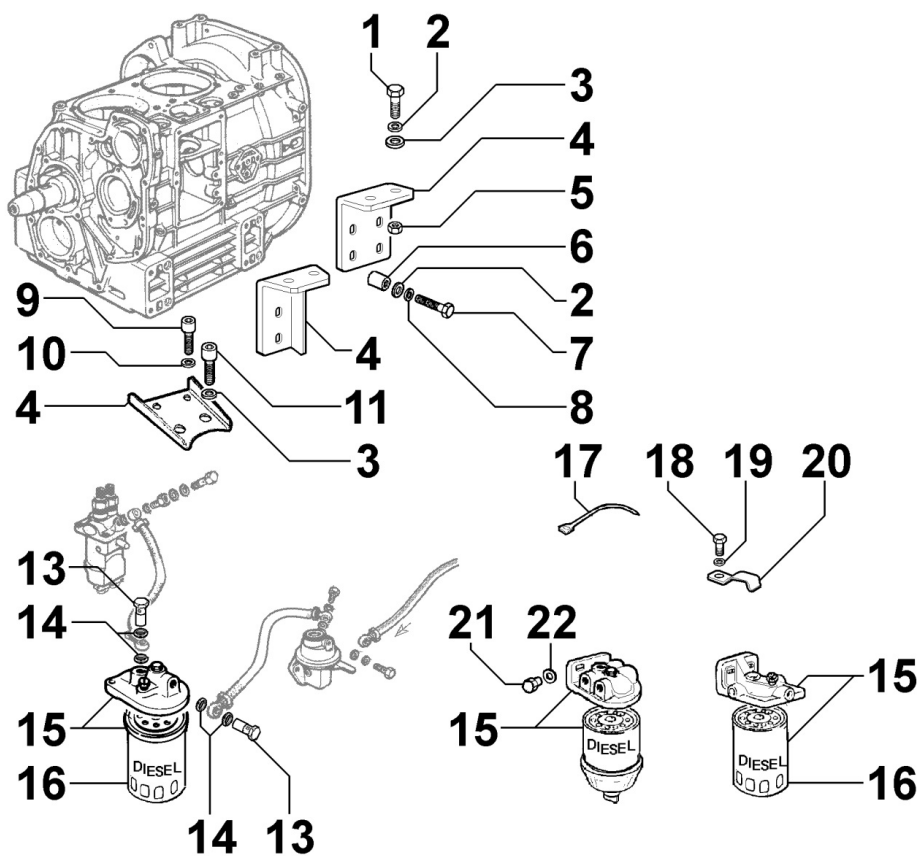
8051090090 - CONTROLS



Pos	Kit	Included In	Code	Description	Qty	Old Code	Tech. Info
4	(B)		KDISC.		1	ED0025161500-S	
4		(B)	ED0026902770-S	COPERCHIO/COVER D A	1		
5		(B)		POS. 4	1		
6		(B)	ED0052001080-S	LEVER	1		
9			ED0067800890-S	STUD	1		
10			ED0032030990-S	NUT	1		
11		(B) (D)	ED0032400080-S	HEX.NUT	2		
12		(B)	ED0017600270-S	BOLT	2		
13			ED0017601480-S	VITE/SCREW 10	1		
14			ED0091801920-S	END	1	ED0091800420-S	
16		(B)	ED0012000340-S	O RING	2		
17			ED0051680520-S	RETAINER	1		
18			ED0032401310-S	NUT	1		
19			KV.M.		1	ED0052001030-S	
19		(B)	ED0052001940-S	LEVER	1		
21	(A)		ED0085760060-S	SUPPLEM./EX.FUELDEV. D C	1		
22		(B)	ED0056800780-S	SPRING	2		
24		(B)	ED0052001540-S	LEVER	1		
25		(A)	ED0032400580-S	HEX.NUT	1		
26			ED0047755260-S	GASKET	1		
27			ED0097320780-S	SCREW	5		
29		(B)	ED0032401640-S	HEX.NUT	2		
30			ED0097300180-S	ALLEN SCREW	1		
31			ED0058301190-S	CONNECTOR	1		
33		(B)	ED0052710550-S	LEVA/LEVER N	1		
39			ED0035260670-S	DISTANZIALE/SPACER S C10	2		
40			ED0089001670-S	SUPPORTO/SUPPORT D	1		

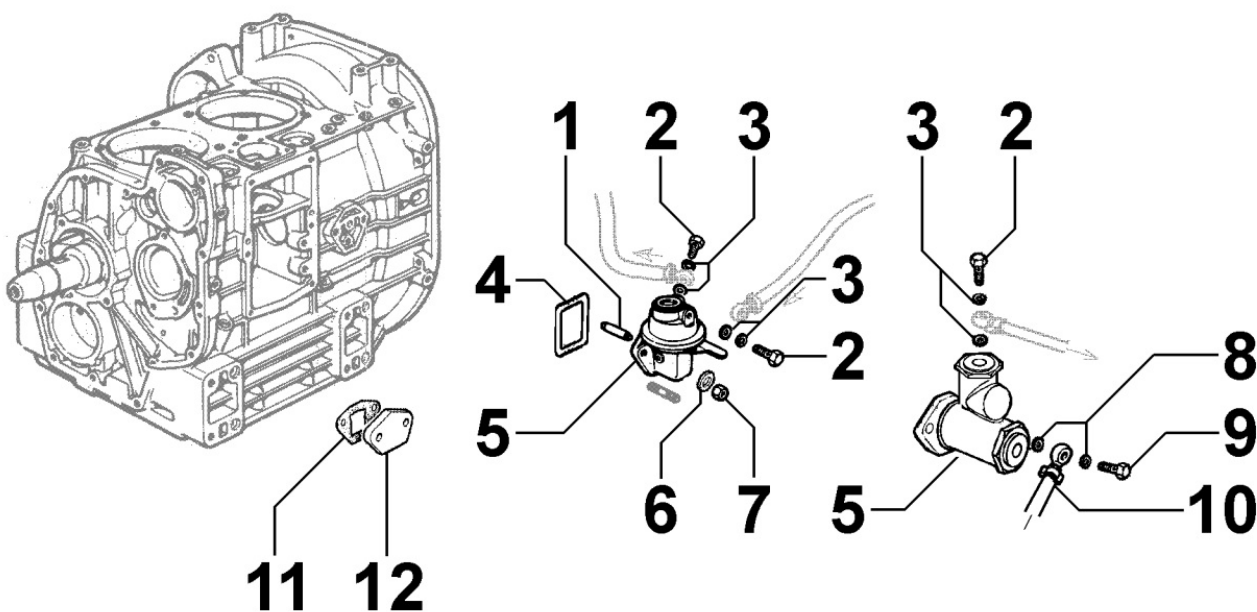
Pos	Kit	Included In	Code	Description	Qty	Old Code	Tech. Info
40			ED0089001670-S	SUPPORTO/SUPPORT D	1		
42	(D)		ED0072001960-S	PUNTALINO/DRIVE ROD E	1		
44		(B)	ED0035270710-S	SPACER	4		
49			ED0097300120-S	SCREW	4		
50			ED0075650040-S	SP.WASHER	4		
52			ED0017800080-S	BOLT	2		


8061090020 - FUEL FILTER



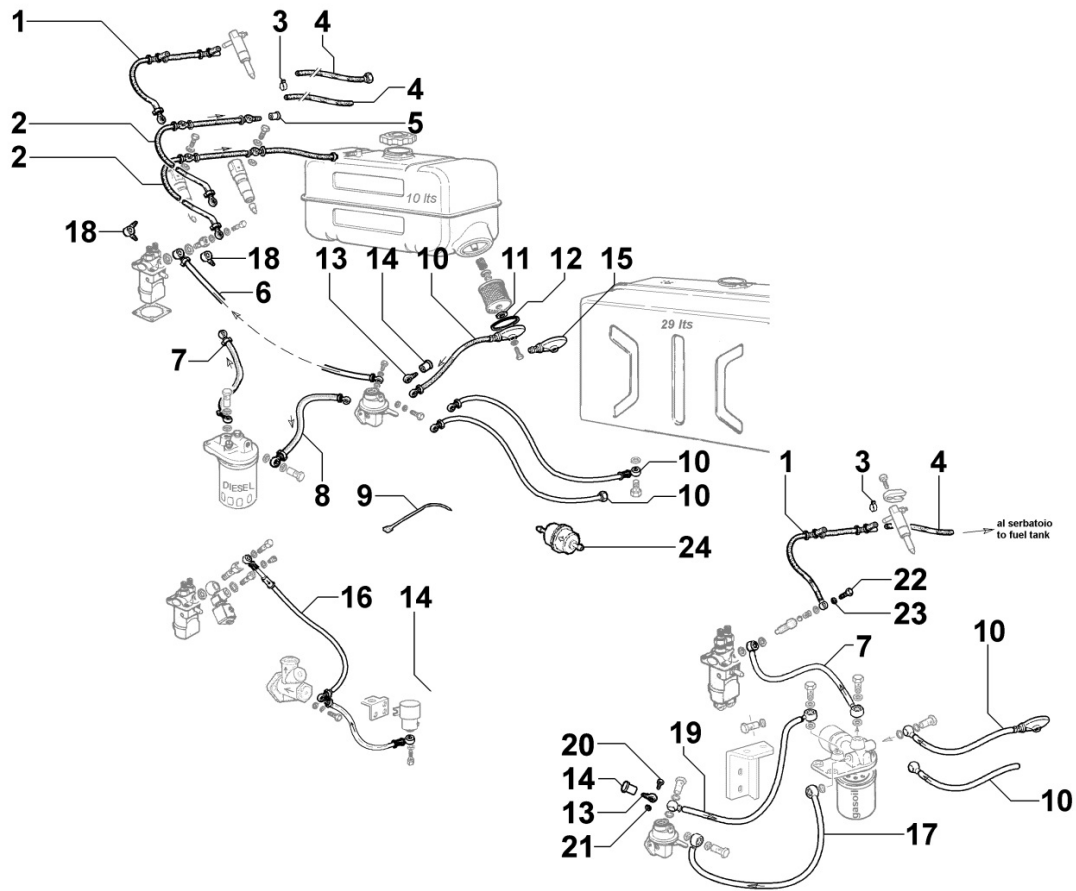
Pos	Kit	Included In	Code	Description	Qty	Old Code	Tech. Info
13			ED0046700610-S	C.GASKET	4		
14			ED0019010320-S	UNION BOLT	2		
15	(A)		ED0037301510-S	FUEL FIL.	1		
16		(A)	ED0021750460-S	FUEL FILTER CARTRIDGE	1		
17			ED0024710140-S	COLLAR	1		

8062090070 - FUEL FEED PUMP



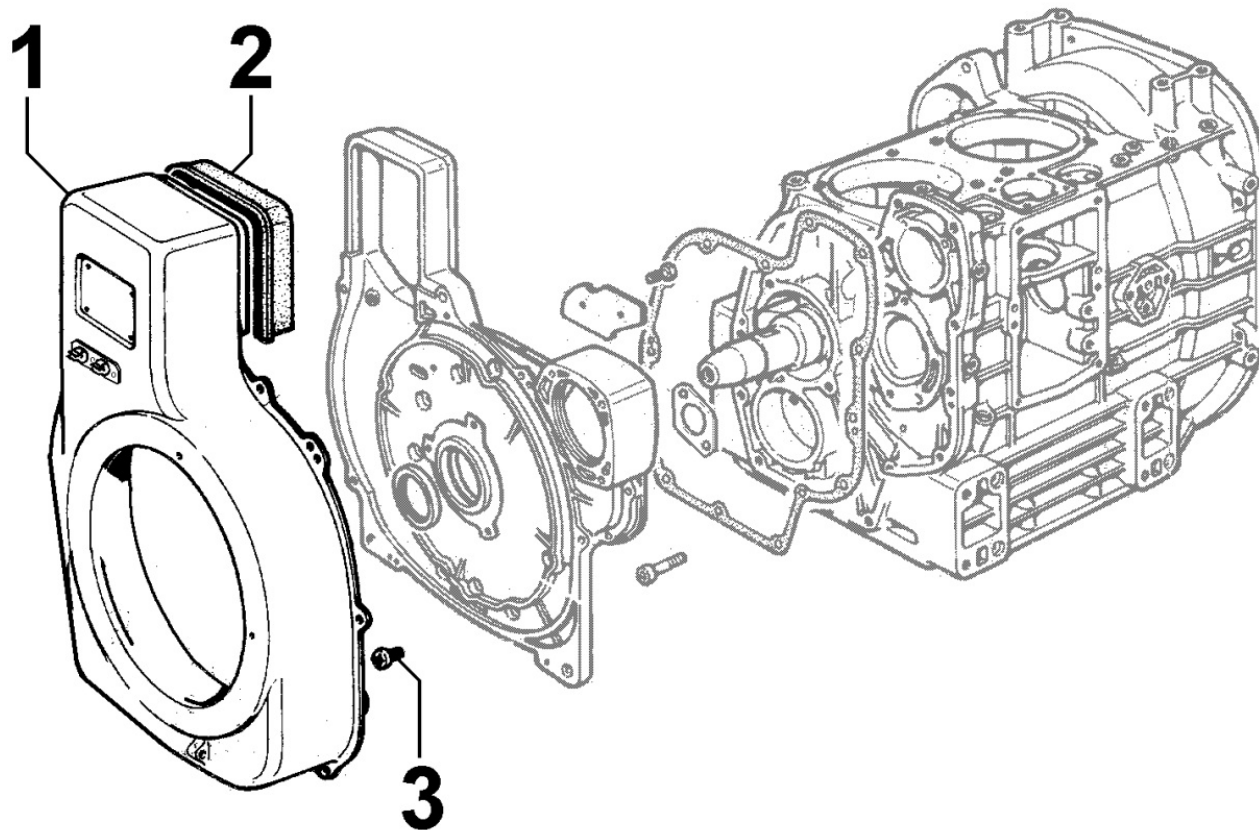
Pos	Kit	Included In	Code	Description	Qty	Old Code	Tech. Info
1			ED0072000780-S	DRIVE ROD	1		
2			ED0019011930-S	BOLT	2		
3			ED0046700590-S	COPPER GASKET 10,2X14X1,5	4		
4			ED0012000870-S	O RING	1		
5			ED0065851390-S	FEED PUMP	1		
6			ED0075550290-S	WASHER	2		
7			ED0032401640-S	HEX.NUT	2		

8064090170 - FUEL PIPING



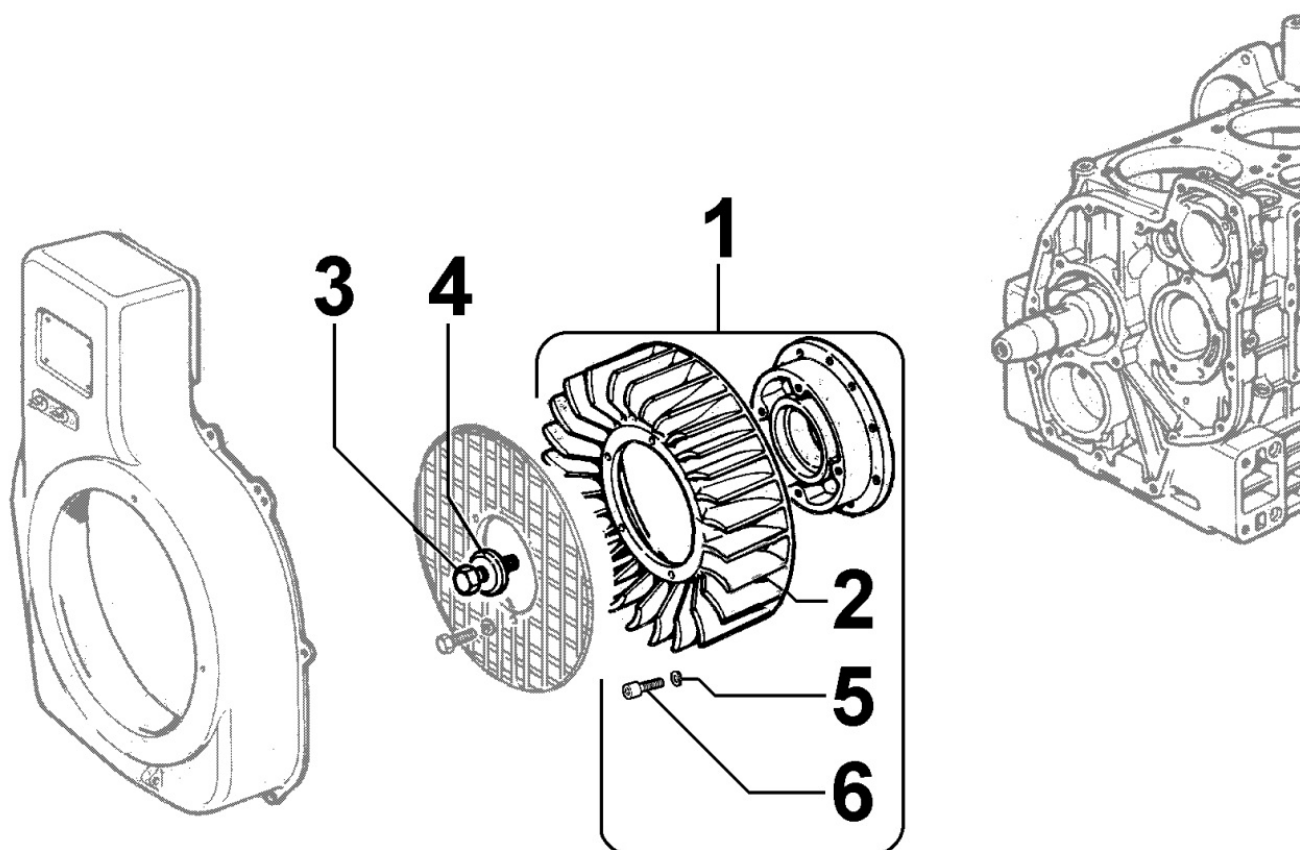
Pos	Kit	Included In	Code	Description	Qty	Old Code	Tech. Info
2			ED0093711020-S	TUBO/FUEL TUBE N	1		
3			ED0036300500-S	CLAMP	1		
4			ED0093752660-S	FUEL TUBE	1		
7			ED0093750320-S	FUEL TUBE	1		
8			ED0093740220-S	FUEL TUBE	1		
13			ED0072701040-S	UNION	1		
14			ED0021450370-S	CAP	1		

8070090020 - AIR SHROUD



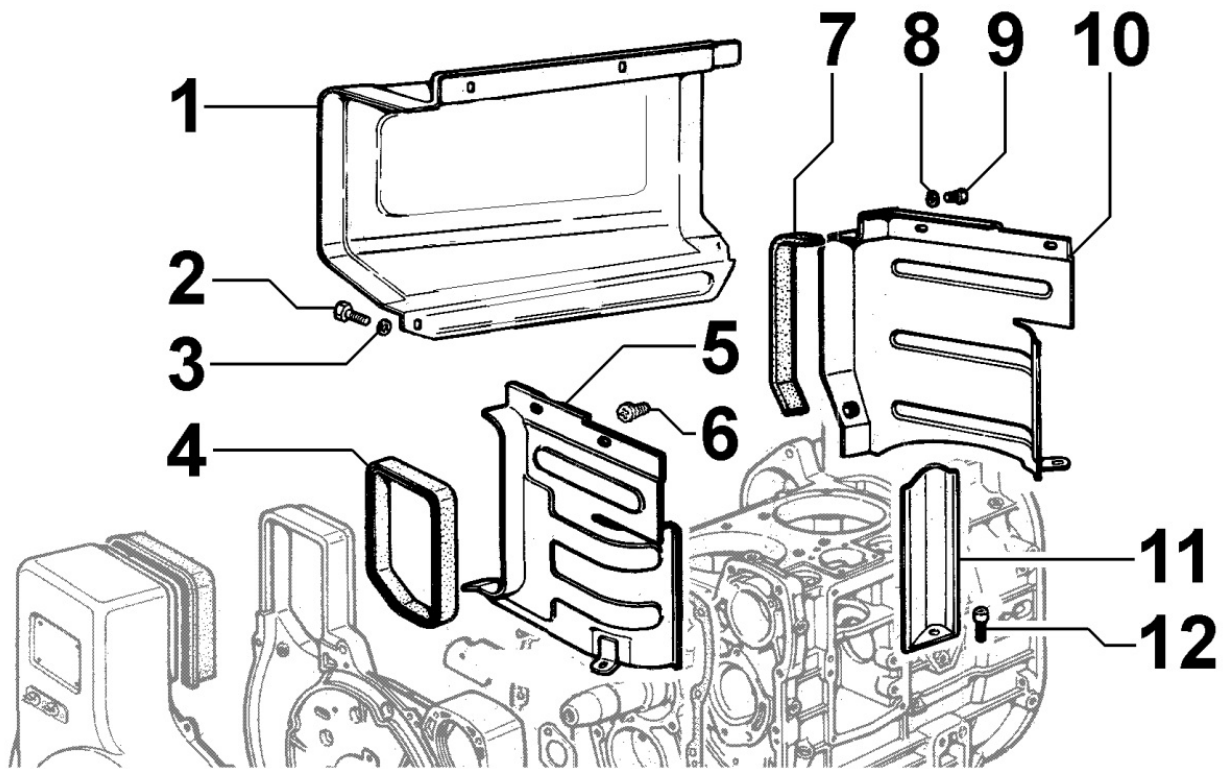
Pos	Kit	Included In	Code	Description	Qty	Old Code	Tech. Info
1			ED0025692240-S	SHROUD	1		
2			ED0047760910-S	GASKET	1		
3			ED0097900390-S	CH-H.SCREW	7		

8071090010 - COOLING FAN



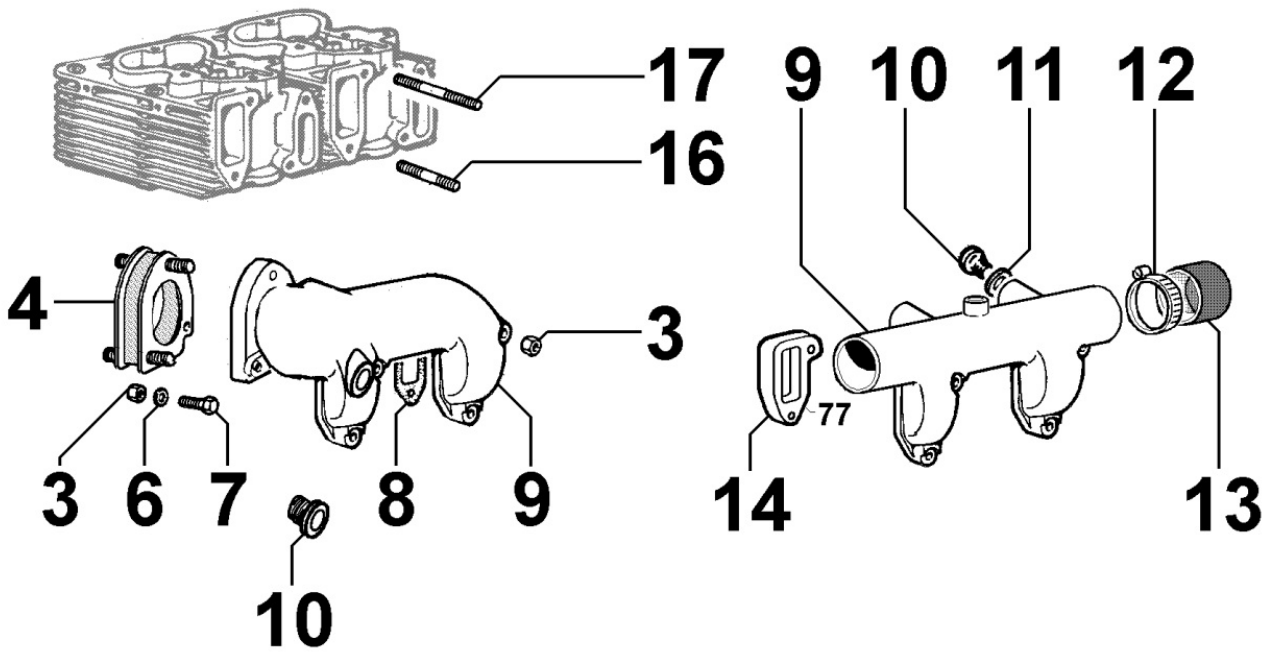
Pos	Kit	Included In	Code	Description	Qty	Old Code	Tech. Info
1	(A)		ED0048930220-S	BLOWER ASS.Y	1	ED0059001350-S	
2		(A)	ED0097182520-S	BLOWER FAN	1		⚠
3			ED0098653190-S	SCREW	1		
4			ED0076260330-S	WASHER	1		
5		(A)	ED0076250080-S	WASHER	5		
6		(A)	ED0017600060-S	BOLT	5		

8072090080 - COOLING PLATES



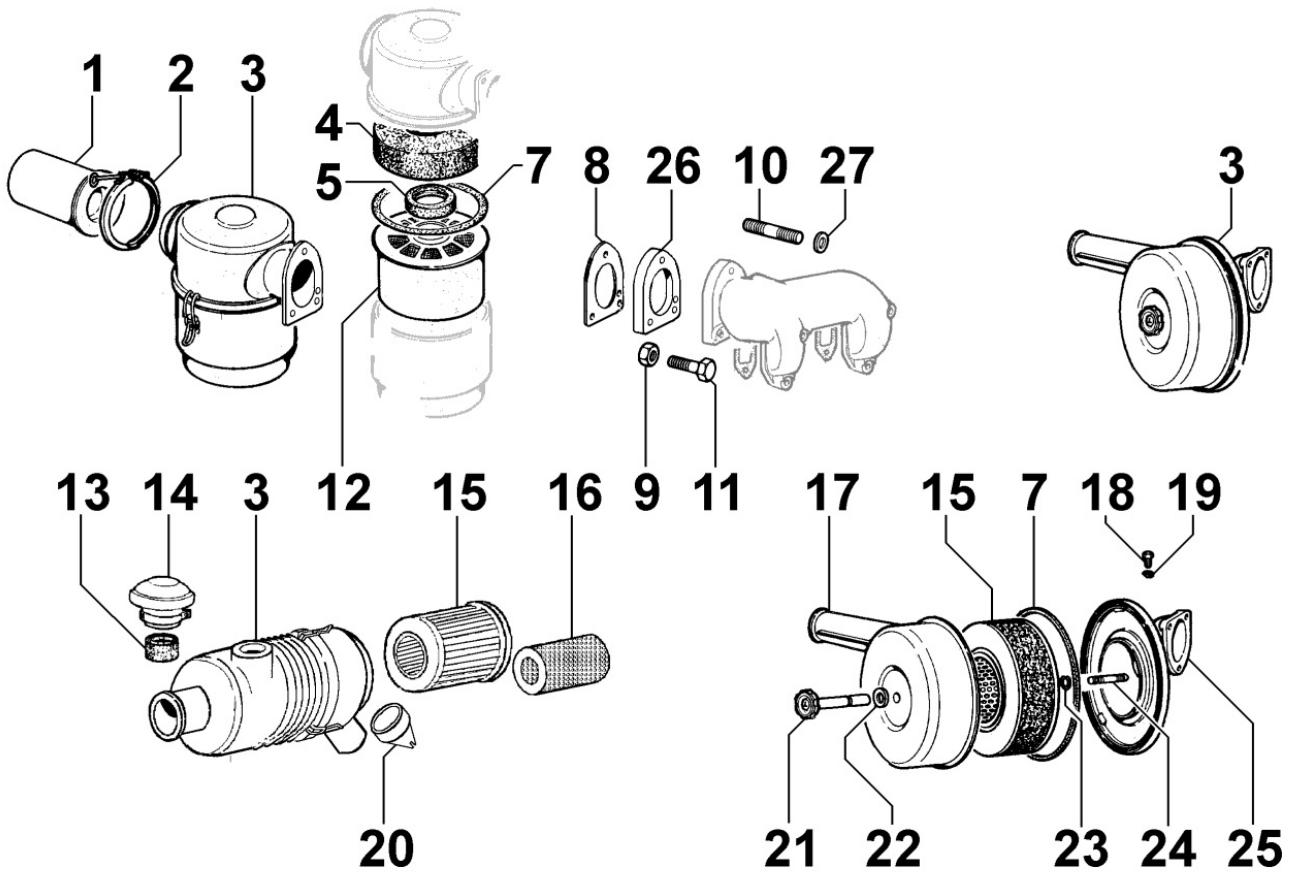
Pos	Kit	Included In	Code	Description	Qty	Old Code	Tech. Info
1			ED0029201060-S	HOOD	1		
2			ED0017700020-S	BOLT	1		
3			ED0075650070-S	SP.WASHER	1		
4			ED0047760920-S	GASKET	1		
5			ED0050661040-S	PANEL	1		
6			ED0097900390-S	CH-H.SCREW	6		
7			ED0047760930-S	GASKET	1		
8			ED0076250700-S	WASHER	2		
9			ED0017600030-S	BOLT	2		
10			ED0050660780-S	S.PLATE	1		
11			ED0033500770-S	DEFLECTOR	1		
12			ED0097310920-S	ALLEN SCREW	1		

8080090020 - AIR INLET MANIFOLD / AIR FILTER



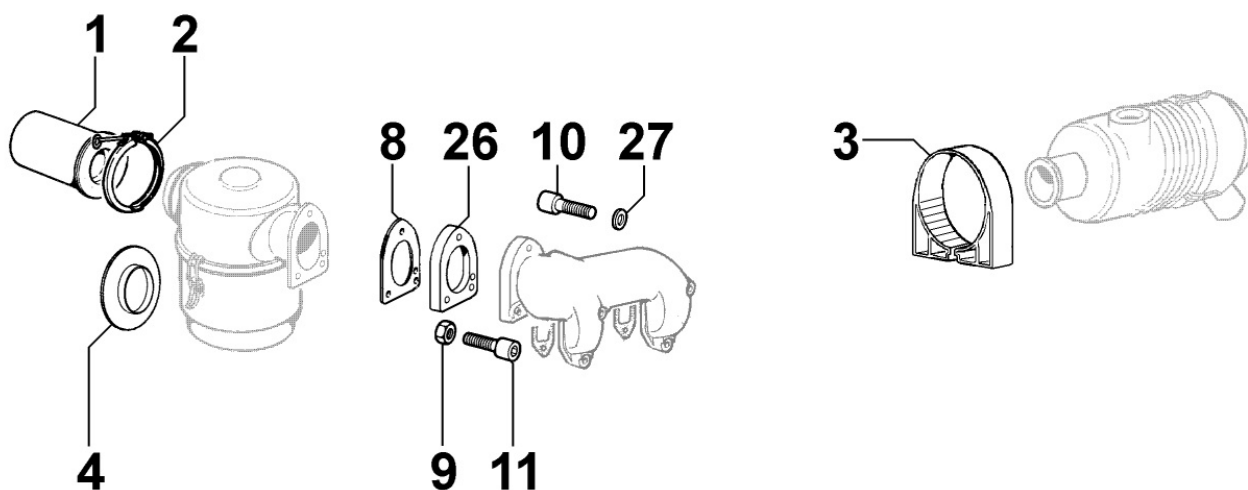
Pos	Kit	Included In	Code	Description	Qty	Old Code	Tech. Info
3			ED0032401640-S	HEX.NUT	6		
4			ED0086361620-S	V.ISOLAT.	1		
6			ED0076260640-S	WASHER	1		
7			ED0097320920-S	SCREW	1		
8			ED0044200200-S	GASKET	2		
9			ED0024860830-S	MANIFOLD	1		
16			ED0067800840-S	STUD	2		
17			ED0067800310-S	STUD	2		

8081090140 - AIR CLEANER



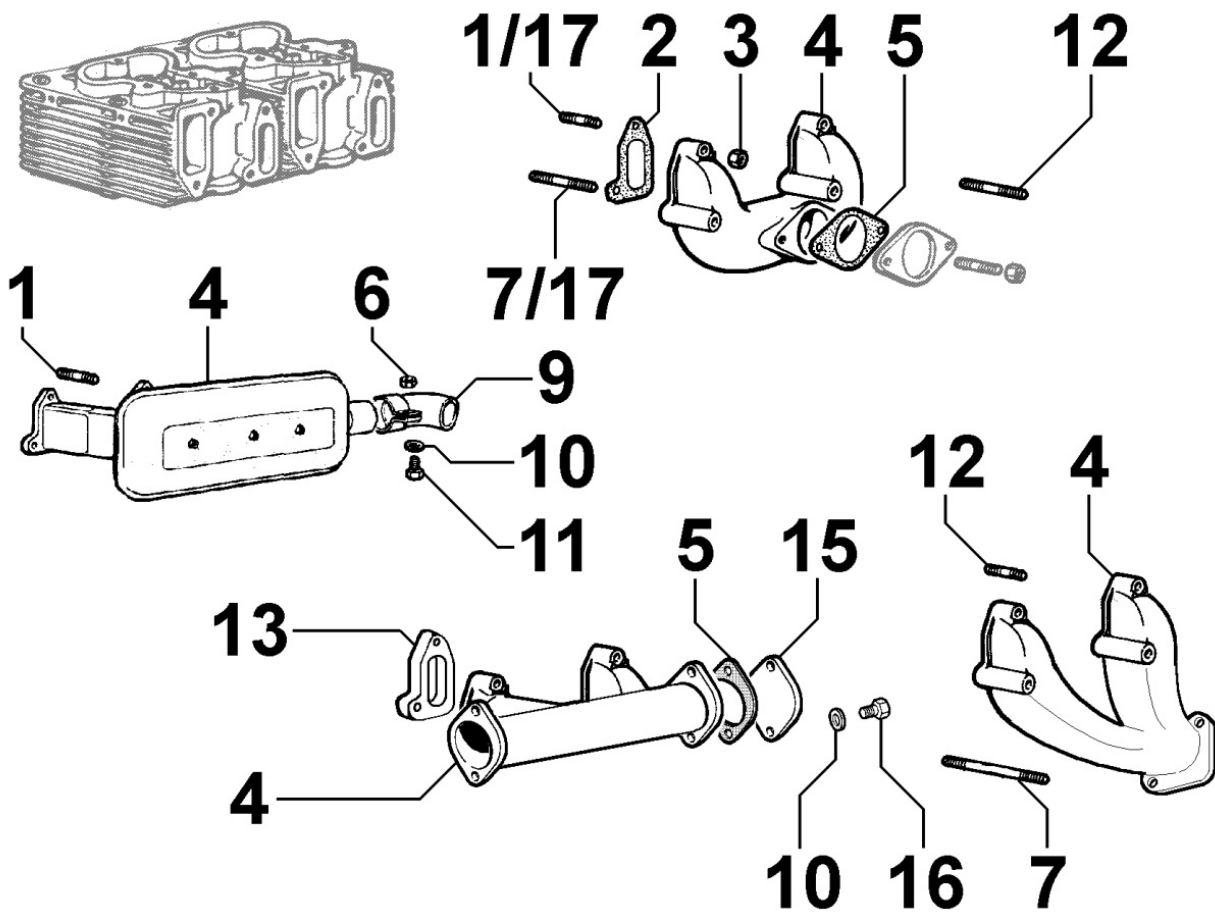
Pos	Kit	Included In	Code	Description	Qty	Old Code	Tech. Info
3	(A)		ED0037003340-S	AIRCLEANER	1		▲
4		(A)	ED0054961820-S	ELEMENT	1		▲
5		(A)	ED0012610560-S	RING	1		▲
7		(A)	ED0047760290-S	GASKET	1		
9			ED0032400180-S	HEX.NUT	3		
12		(A)	ED0054960740-S	FILTER.EL.	1		▲
27			ED0075650070-S	SP.WASHER	3		

8082090050 - AIR INLET ACCESORIES



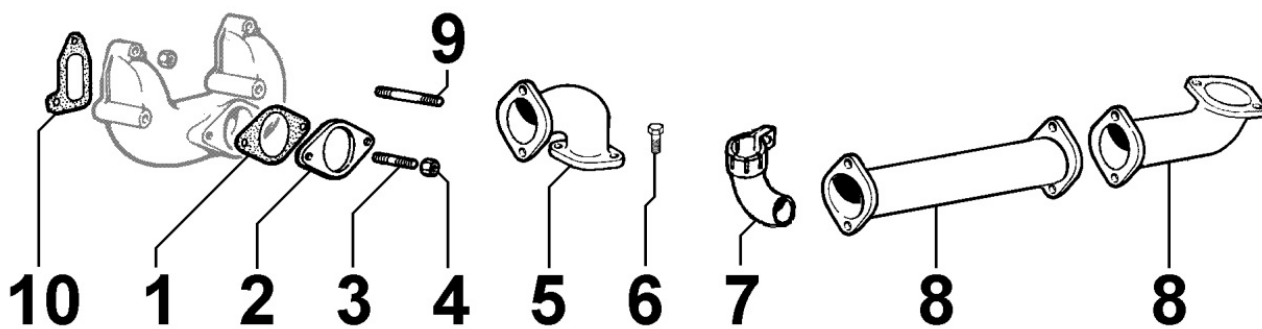
Pos	Kit	Included In	Code	Description	Qty	Old Code	Tech. Info
1			ED0067270240-S	PREFILTER	1		
2			ED0036172240-S	CLAMP	1		
4			ED0013011480-S	ANELLO/RING N 10	1		

8085090030 - EXHAUST GAS MANIFOLD



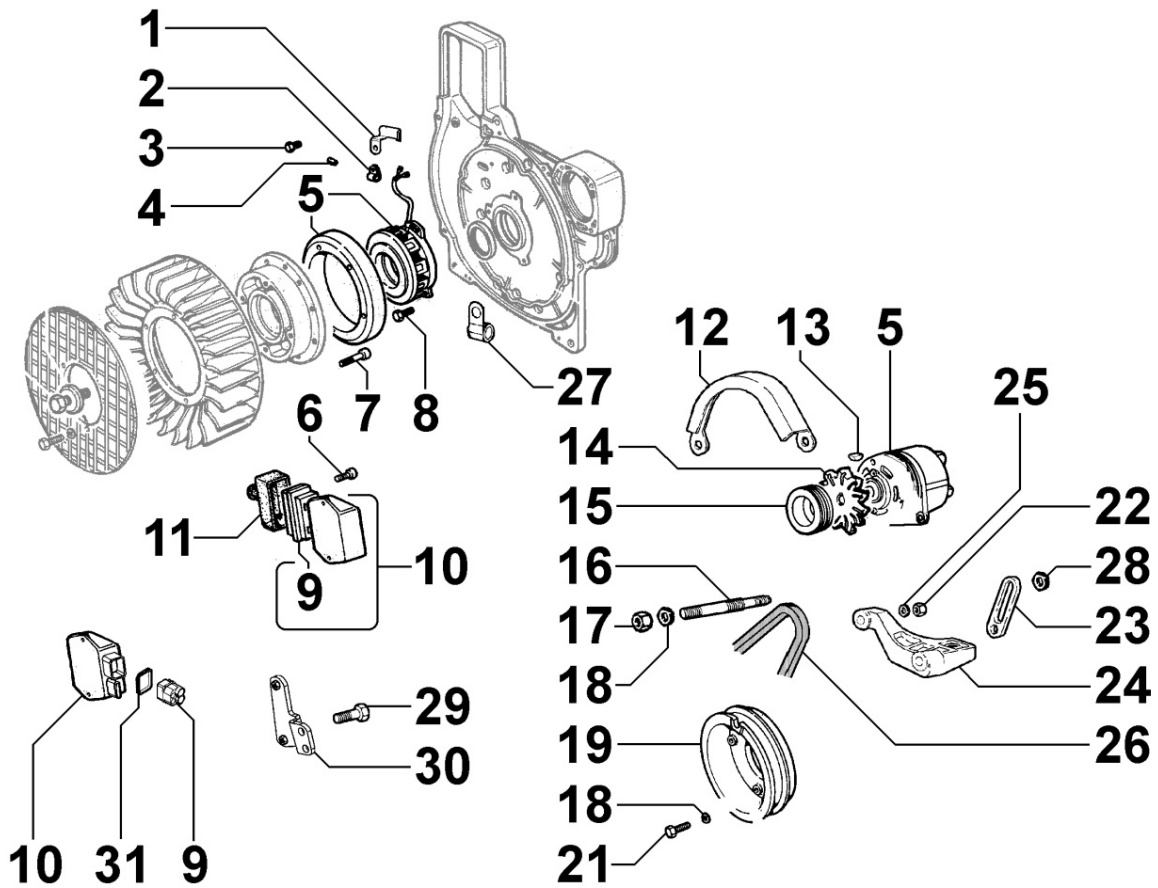
Pos	Kit	Included In	Code	Description	Qty	Old Code	Tech. Info
1			ED0067800840-S	STUD	2		
2			ED0044200190-S	GASKET	2		
3			ED0032401630-S	HEX.NUT M8	4		
4			ED0024860280-S	MANIFOLD	1		
17			ED0067800860-S	STUD	2		

8087090060 - EXHAUST GAS ACCESSORIES



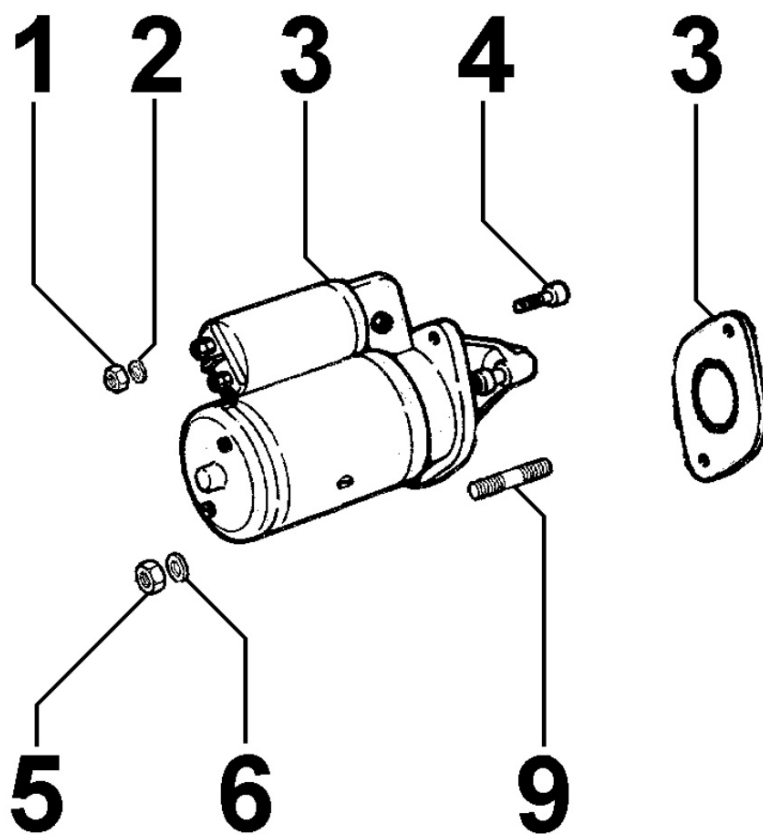
Pos	Kit	Included In	Code	Description	Qty	Old Code	Tech. Info
1			ED0045000790-S	GASKET	1		
2			ED0038150130-S	FLANGE	1		
3			ED0067800680-S	STUD	2		
4			ED0032401630-S	HEX.NUT M8	2		

8100090050 - VOLTAGE ALTERNATOR



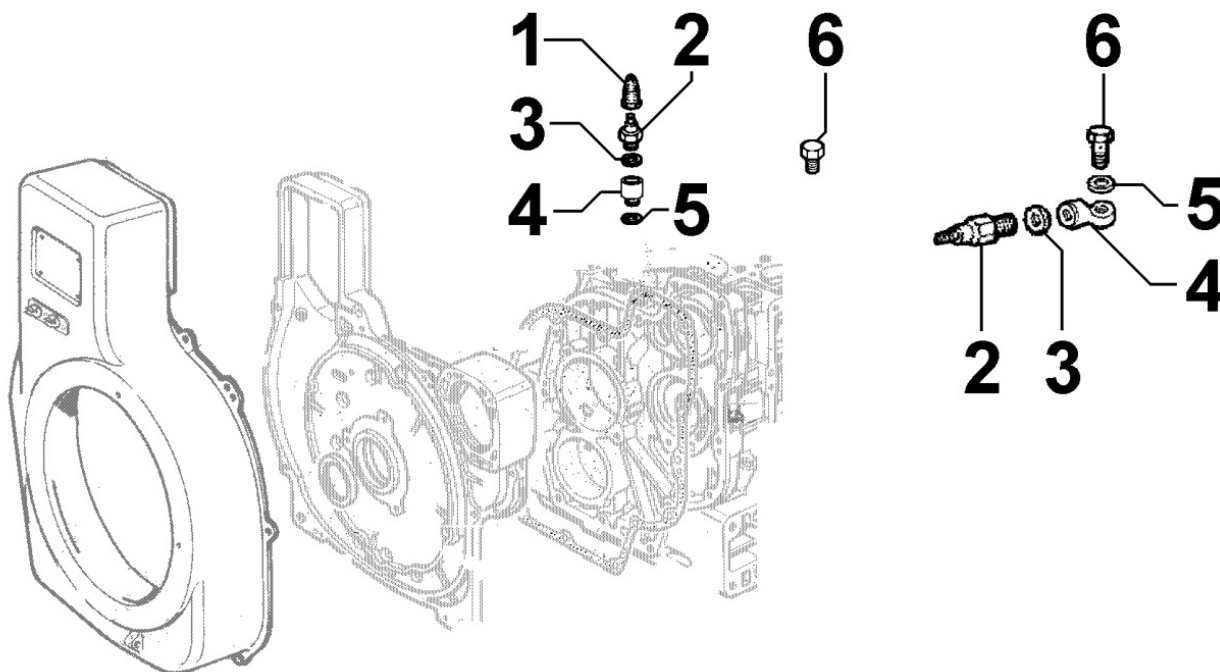
Pos	Kit	Included In	Code	Description	Qty	Old Code	Tech. Info
1			ED0036171020-S	CLAMP	1		
2			ED0036170880-S	CLAMP	1		
3			ED0097300080-S	SCREW	1		
4			ED0024710140-S	COLLAR	1		
5			ED0011571540-S	ALTERNATOR 12V 14A	1		⚠
6			ED0097320920-S	SCREW	2		
7			ED0097320780-S	SCREW	5		
8			ED0097310220-S	ALLEN SCREW	4		
10			ED0073624070-S	VOLTAGE REGULATOR 12V-30A	1		
11			ED0021450140-S	CAP	1		

8101090010 - STARTING MOTOR



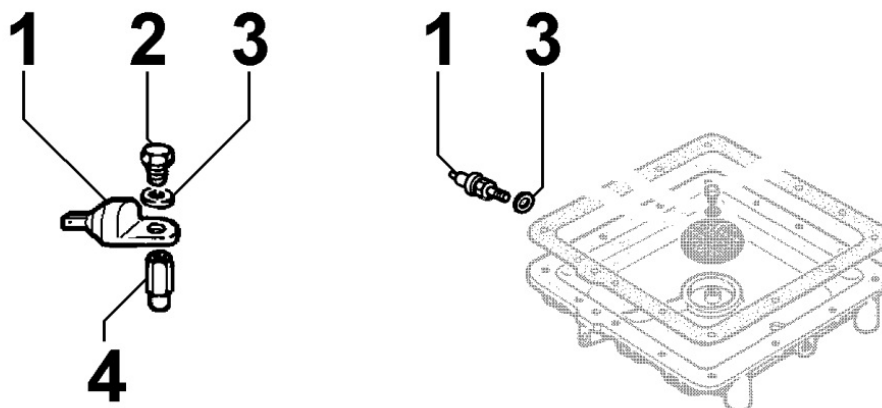
Pos	Kit	Included In	Code	Description	Qty	Old Code	Tech. Info
1			ED0032400200-S	NUT	1		
2			ED0075650070-S	SP.WASHER	1		
3			ED0058402240-S	STA.MOTOR	1		
4			ED0097300460-S	ALLEN SCREW	1		
5			ED0032400660-S	HEX.NUT M10X1,5 UNI 5588-8G+ZN.B	2		
6			ED0075650110-S	LOCK WASHER M10	2		
9			ED0068000040-S	STUD	1		

8102090050 - OIL PRESSURE SWITCH

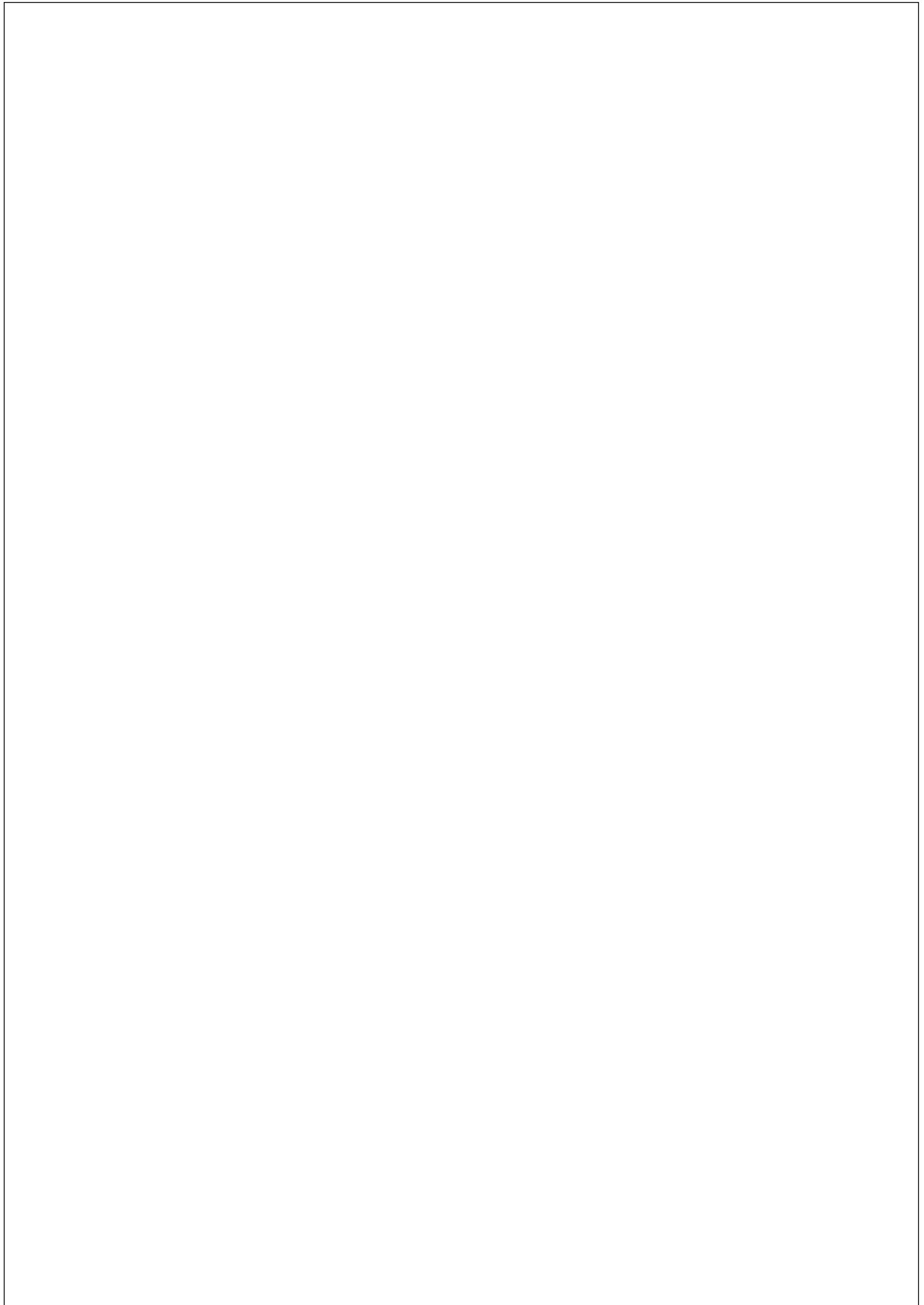


Pos	Kit	Included In	Code	Description	Qty	Old Code	Tech. Info
1			ED0064910130-S	PIPE ELBOW	1		
2			ED0067450930-S	OIL SWITCH 0,3 BAR	1		
3			ED0046700600-S	C.GASKET	2		
4			ED0073302830-S	UNION	1		
5			ED0046700580-S	COPPER GASKET	1		
6			ED0089650030-S	CAP	1		

8104090010 - TEMPERATURE SWITCHES



Pos	Kit	Included In	Code	Description	Qty	Old Code	Tech. Info
1			ED0091950220-S	THERMOSTAT	1		
3			ED0046700610-S	C.GASKET	1		



KOHLER® ENGINES