

DGW310MC/RS

Serial Number

W00355003257-W00355999999

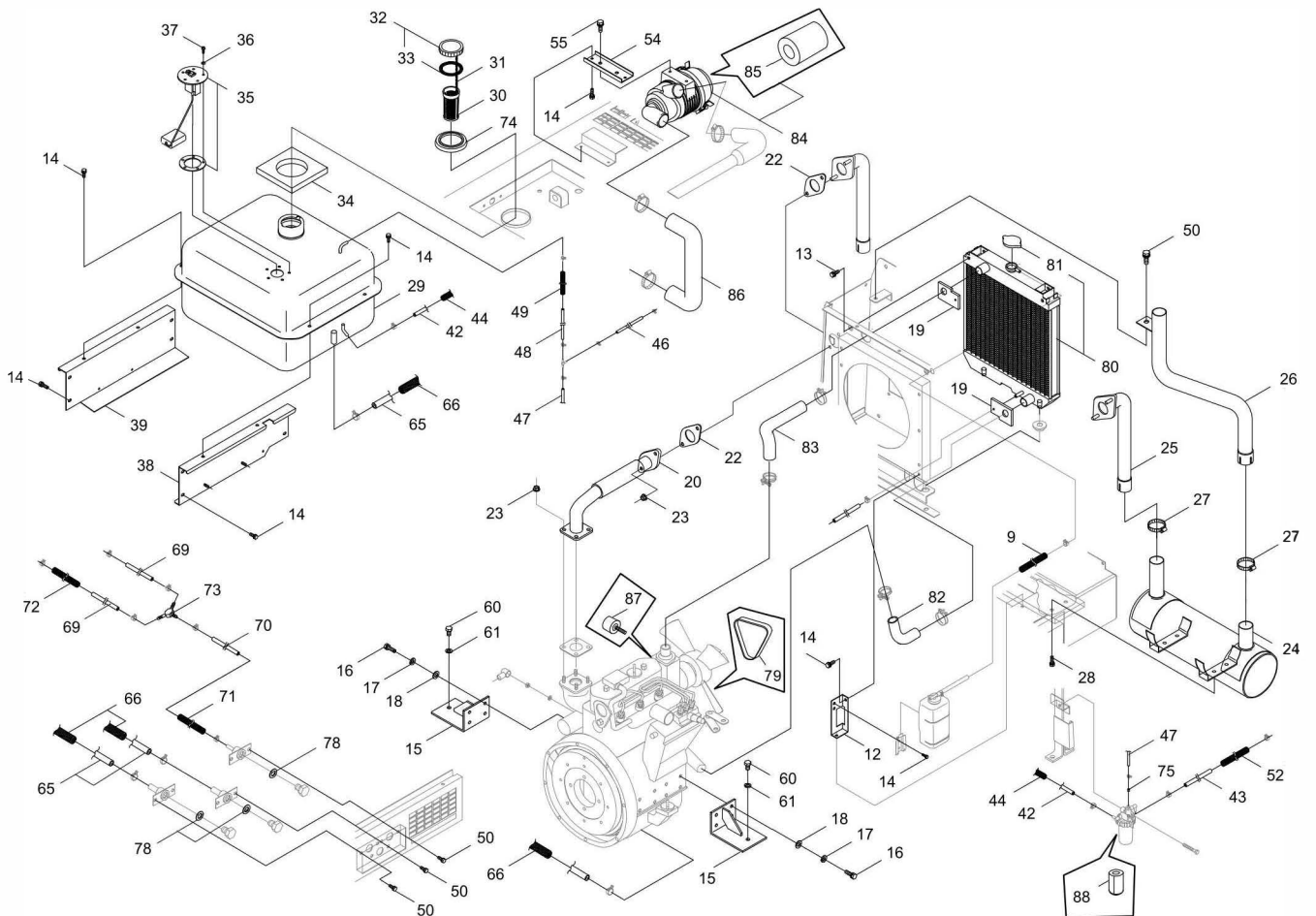
Last updated date

22/Dec/2021

TABLE OF CONTENTS

MUFFLER, FUEL TANK	1
BASE, COVER.....	5
ROTOR.....	11
CONTROL PANEL	13
BATTERY, RESISTOR.....	17

MUFFLER, FUEL TANK



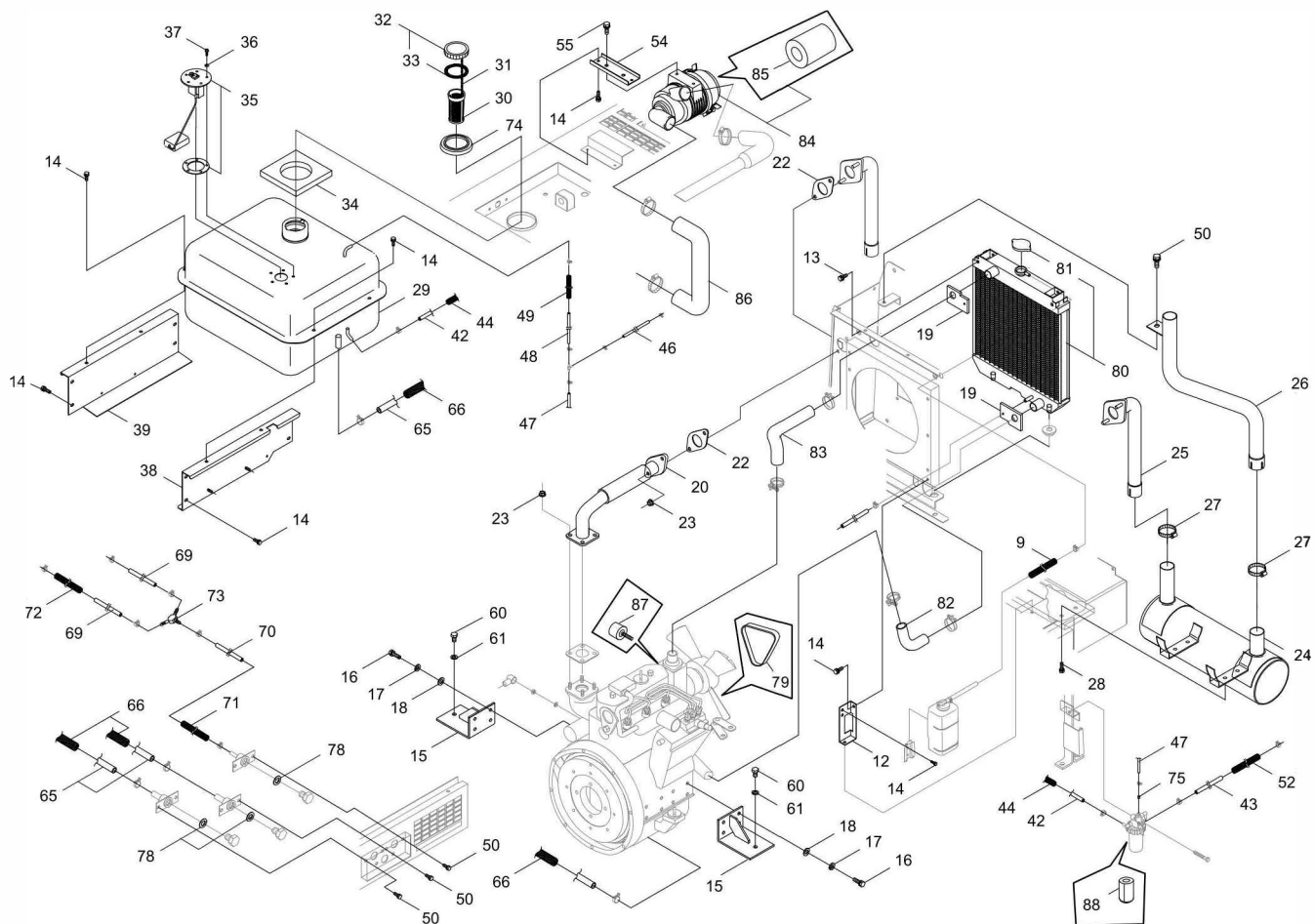
MUFFLER, FUEL TANK

Key No.	LV (+)	Parts Number	Parts Description	Qty	Standard	Class
9		V476-000180	TUBE	1		C
12		C519-003940	STAY	1		D
13		91036-06020	BOLT	2	6*20	
14		V204-001720	BOLT,6	2	M6X16	C
15		G121-000280	STAY,ENGINE	2		D
16		V206-000480	BOLT	8		C
17		900605-00010	WASHER, SPRING	8	10	
18		900617-00010	WASHER	8	10	
19		V418-000040	SPONGE	2		C
20		G231-000540	FLEXIBLE TUBE	1		D
22		V104-001740	GASKET	2		A
23		V265-000290	FLANGE NUT	6		C
24		A300-001430	MUFFLER	1		C
25		G231-000550	INLET PIPE	1		D
26		G231-000560	EXHAUST PIPE	1		D
27		V495-002100	CLAMP	2		C
28		V205-001170	BOLT,8	5	M8*20-SPW	C
29		G250-000680	TANK,FUEL	1		D
30		A369-000180	STRAINER	1		A
31		V489-000120	CHAIN	1		C
32		G255-000110	TANK CAP	1		C
33	+	V107-000140	PACKING	1		A
34		V541-000390	SHEET	1		C
35		E325-000360	GAUGE,LEVEL	1	FP140R134	C
36		V500-000020	SEAL WASHER	5		C
37		91463-05012	SCREW	5	5*12	
38		G126-000260	BRACKET,TANK	1		D
39		G126-000270	BRACKET,TANK	1		D
42		09661-7032-0	FUEL TUBE	1	7.3X12.5X320	
43		09661-70700	FUEL TUBE	1	7.3X12.5X700	
44		V475-006130	TUBE	1		C
46		09661-40150	FUEL TUBE	1	4X8X150	
47		09661-40200	FUEL TUBE	1	4X8X200	
48		09661-4042-0	FUEL TUBE	1	4X8X420	
49		V476-000340	TUBE	1		C
50		V205-001340	BOLT,8	7	BM-8X20 W SW	C
52		V475-006140	TUBE	1		C
54		G211-000230	STAY,CLEANER	1		D
55		91022-08016	BOLT	2	8*16	
60		91000-12022	BOLT	2	12*22	
61		900605-00012	WASHER, SPRING	2	12	
65		17224-3321-0	PIPE	2	13X20X600	
66		V476-000280	TUBE	2	22*L550	C
69		09661-70150	FUEL TUBE	2	7.3X12.5X150	

Class : Consumable class

A:Fast moving parts B:Semi-fast moving parts C:Slow moving parts D:Order only as needed

MUFFLER, FUEL TANK



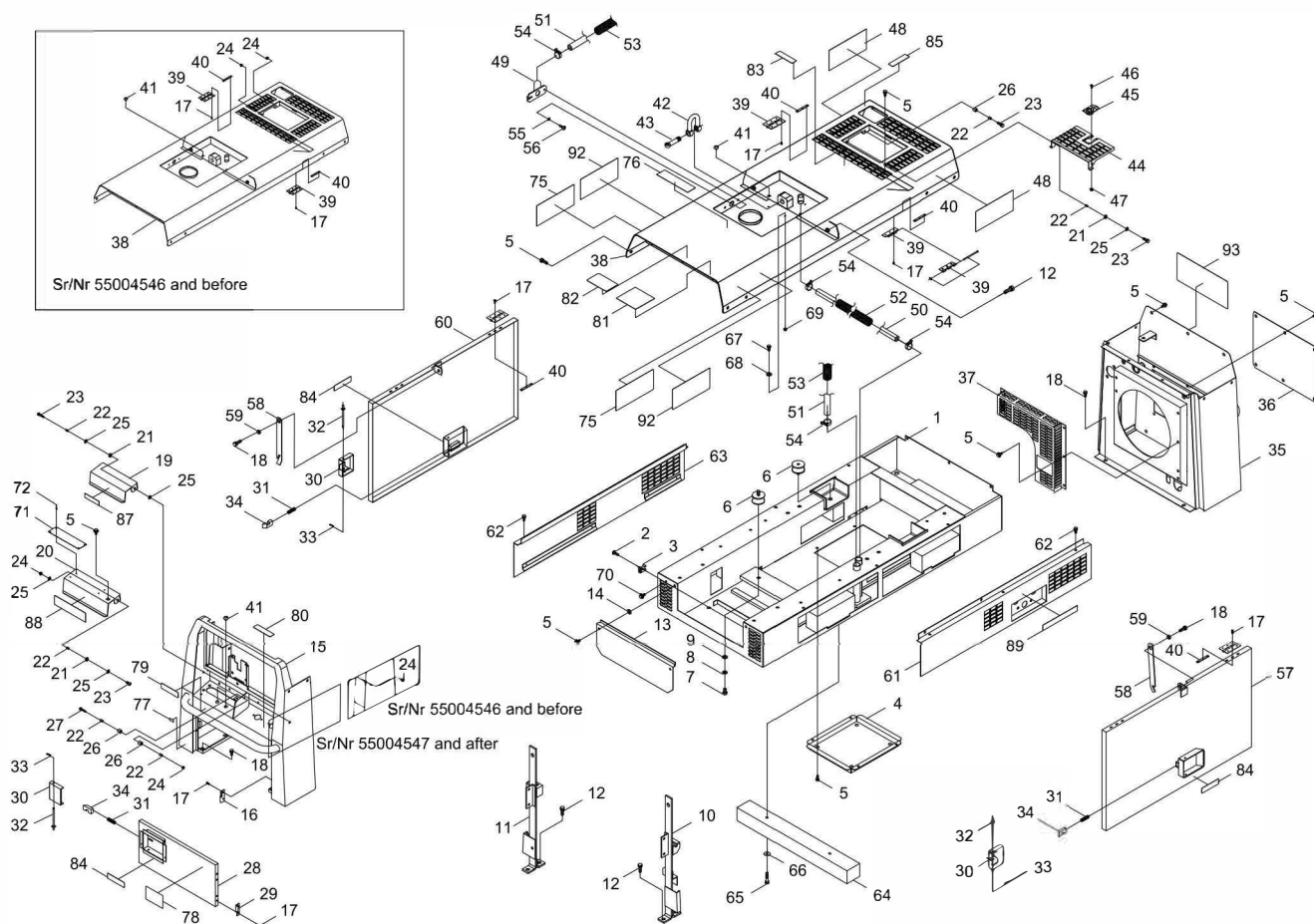
MUFFLER, FUEL TANK

Key No.	LV (+)	Parts Number	Parts Description	Qty	Standard	Class
70		09661-70260	FUEL TUBE	1	7.3X12.5X260	
71		V476-000270	TUBE	1		C
72		V476-000330	TUBE	1		C
73		M601-000170	JOINT	1		D
74		V145-000510	TANK BUSH	1		C
75		E166-000090	PIECE,PIPE	1		D
78		6C090-58960	GASKET	3		
79		17472-9701-0	V BELT	1		
80		K1G318-7206-0	RADIATORASSY	1		
81	+	17214-7202-0	CAP ASSY	1		
82		1G313-7294-0	HOSE	1		
83		1G313-7285-0	HOSE	1		
84		K1G318-1101-0	AIR CLENAER ASSY	1		
85	+	1G659-1122-0	ELEMENT,AIR CLEANER	1		
86		16863-1162-0	HOSE, INLET	1		
87		15241-3209-4	ASSY CARTRIDGE,OIL	1		
88		16271-4356-0	ASSY ELEMENT	1		

Class : Consumable class

A:Fast moving parts B:Semi-fast moving parts C:Slow moving parts D:Order only as needed

BASE, COVER



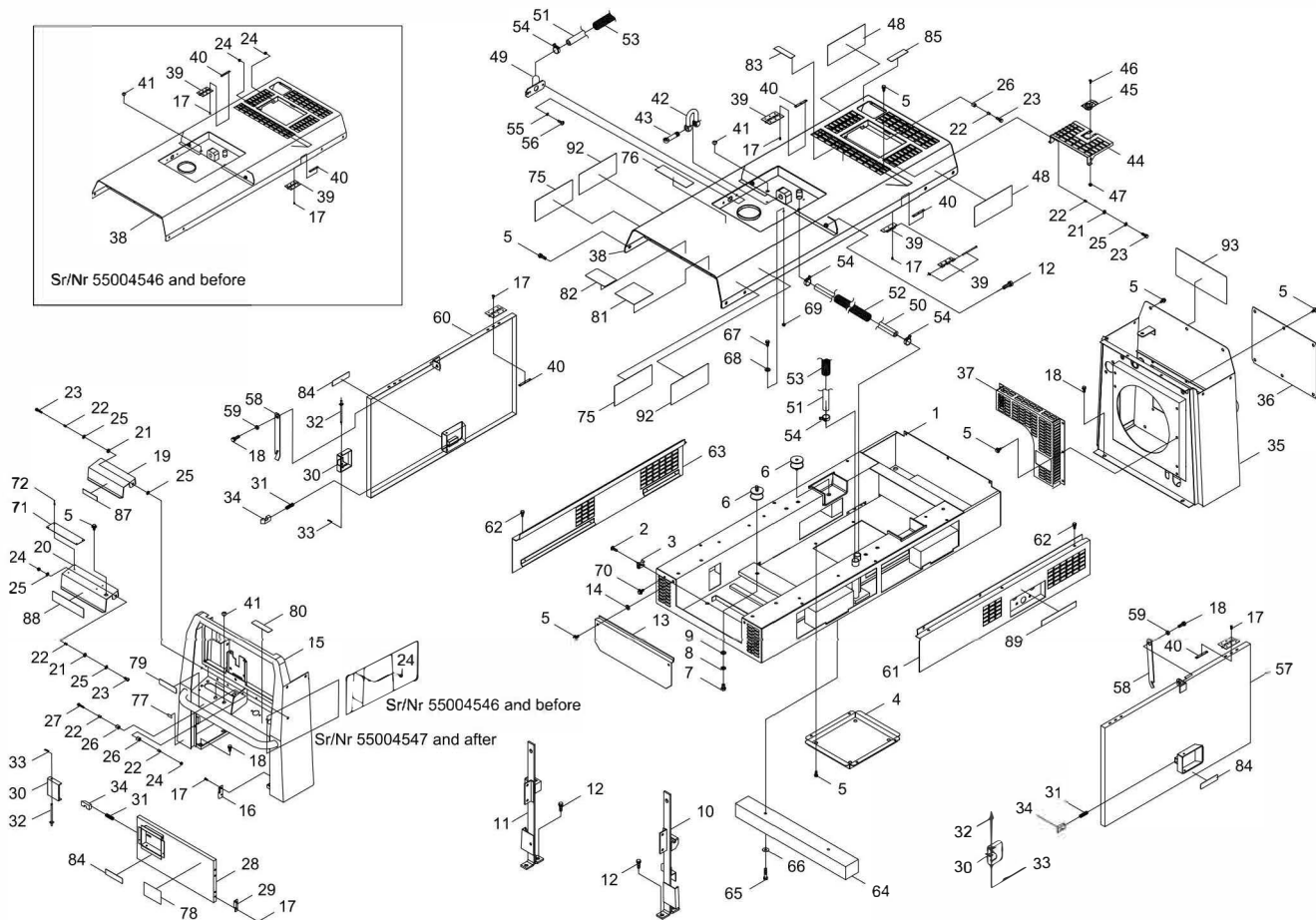
BASE, COVER

Key No.	LV (+)	Parts Number	Parts Description	Qty	Standard	Class
1		J405-001320	BED	1		
1		J405-002951	FRAME	1		
2		91461-06012	SCREW	1	6*12	
3		M416-000020	TIE MOUNT	1		D
4		J470-004530	COVER	1		
5		V204-001720	BOLT,6	34	M6X16	C
6		V420-003140	AV RUBBER	4		B
7		91000-12022	BOLT	2	12*22	
8		900605-00012	WASHER, SPRING	2	12	
9		900617-00012	WASHER	2	12	
10		J415-000360	STAY,BONNET	1		
11		J415-000370	STAY,BONNET	1		
12		V206-000590	BOLT,10	6	M10*25-SPW	C
13		J470-006940	COVER	1		
14		V324-000010	WASHER	2		C
15		J492-001460	BONNET	1		
15		J493-000740	BONNET	1		D
16	+	J485-000310	HINGE	2		
17	+	900212-04010	SCREW	4	4*10	
41	+	V420-003150	CUSHION	2		B
18		V205-001170	BOLT,8	8	M8*20-SPW	C
19		J470-005850	COVER	1		
20		J470-005860	COVER	1		
21		V420-003160	BUSH RUBBER	4		B
22		V375-000480	COLLAR	8		C
23		91036-06025	BOLT	6	6*25	
24		V264-000220	FLANGE NUT	7		C
24		V264-000220	FLANGE NUT	1		C
25		900602-00008	WASHER	6	8	
26		V420-003170	RUBBER PIPE	4		B
27		91036-06030	BOLT	1	6*30	
28		M402-000530	DOOR,FRONT	1		D
29		J485-000330	HINGE	2		
17		900212-04010	SCREW	16	4*10	
30		J416-000000	KNOB,BONNET	3		
31		V450-001280	COIL SPRING	3		B
32		V623-000080	PIN COMP	3		C
33		93003-05000	PIN, SNAP	3	5	
34		C390-000060	LATCH	3		D
35		J410-002700	BONNET	1		
36		J425-002680	PANEL	1		
37		J447-000460	GUARD	1		
38		J410-002401	BONNET	1		
39	+	J485-000561	HINGE	4		

Class : Consumable class

A:Fast moving parts B:Semi-fast moving parts C:Slow moving parts D:Order only as needed

BASE, COVER



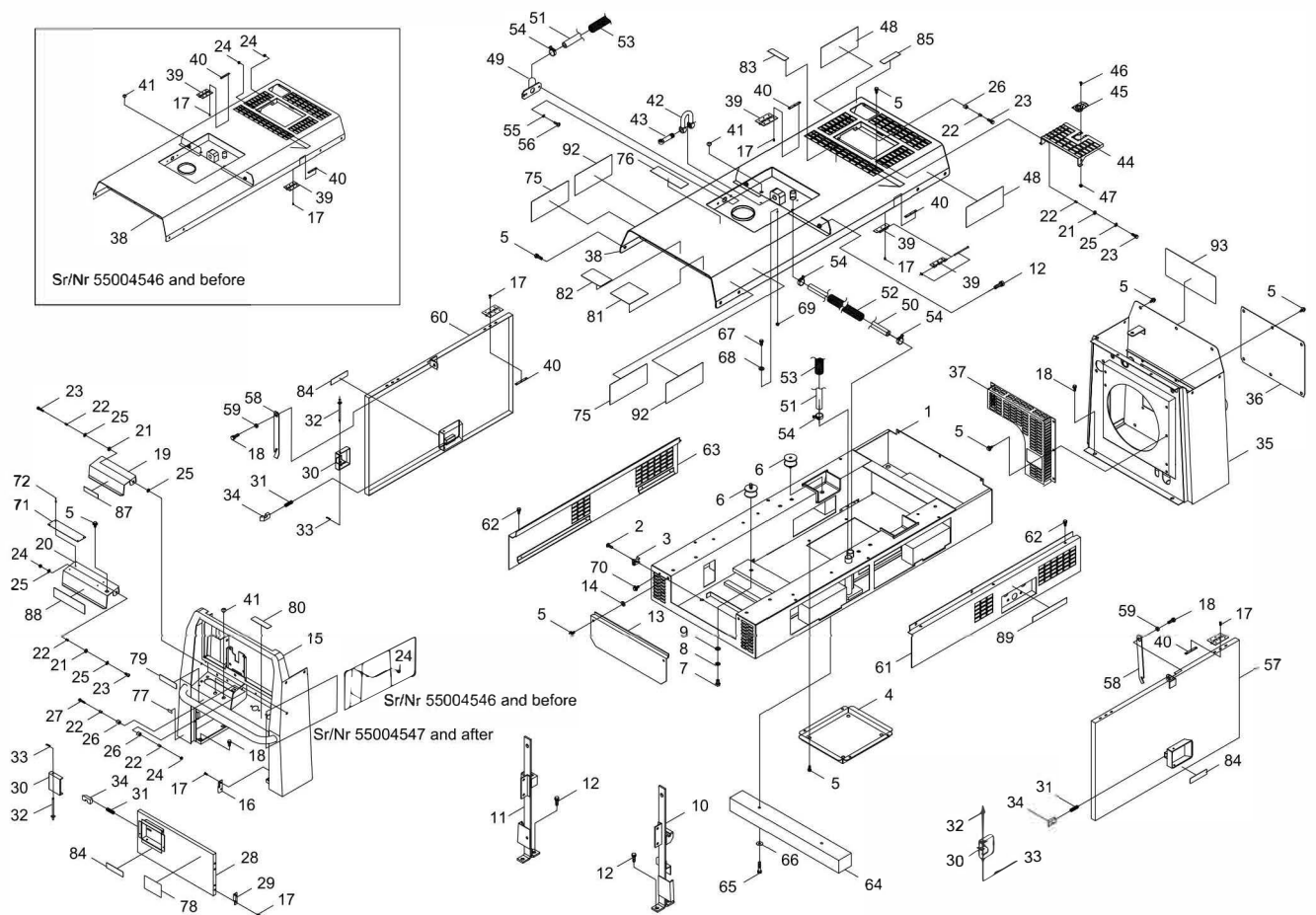
BASE, COVER

Key No.	LV (+)	Parts Number	Parts Description	Qty	Standard	Class
40	+	V150-002620	TAPPING PLATE	4		C
17	+	900212-04010	SCREW	12	4*10	
41	+	V420-003150	CUSHION	2		B
38		J410-002402	BONNET	1		
39	+	P021-052380	HINGE SET	4		
40	+	V150-002620	TAPPING PLATE	4		C
17	+	900212-04010	SCREW	12	4*10	
41	+	V420-003150	CUSHION	2		B
42		M600-000000	SHACKLE	1		D
43		V242-000270	SHAFT	1		C
44		J480-000750	LID,COVER	1		
45		C390-000050	LATCH	1		D
46		91308-03012	SCREW	4	3*12	
47		V261-000010	FLANGE NUT	4		C
48		M705-000750	LABEL,FEATURE	2	310A	D
49		E228-000000	DRAIN PIPE	1		C
50		K405-000240	HOSE	1		
51		K405-000280	HOSE	1		
52		V475-006150	TUBE	1		C
53		V475-006160	TUBE	1		C
54		V495-002110	HOUSE CLAMP	4		C
55		V500-000020	SEAL WASHER	2		C
56		91463-05012	SCREW	2	5*12	
57		M406-001500	DOOR,RIGHT	1		D
40		V150-002620	TAPPING PLATE	4		C
58		G257-000560	STOPPER	2		C
59		V375-000460	COLLAR	2		C
60		M404-001090	DOOR,LEFT	1		D
61		C603-000580	PLATE, SIDE	1		C
62		V204-001610	BOLT,6	6	M6*16SPW(+)	C
63		C603-000570	PLATE, SIDE	1		C
64		C619-000290	BASE,FRAME	2		D
65		91022-10050	BOLT	4	10*50	
66		C603-000290	SIDE PLATE	4		C
67		V204-000960	FRANGE BOLT	4		C
68		V500-000070	SEAL,OIL	4	W5 16MM ｸﾞﾗｽﾞﾝｸﾞ	C
69		V264-000220	FLANGE NUT	4		C
70		91034-06016	BOLT	1	6*16	
71		X533-000820	LABEL,SPEC	1		D
72		V649-000130	BLIND RIVET	8		D
75		X504-006550	LABEL,BRAND	2		D
76		X505-004880	LABEL CAUTION	1		D
77		M704-001400	LABEL INST	1	BONNET GROUNDING	D
78		X505-004890	LABEL CAUTION	1		D

Class : Consumable class

A:Fast moving parts B:Semi-fast moving parts C:Slow moving parts D:Order only as needed

BASE, COVER



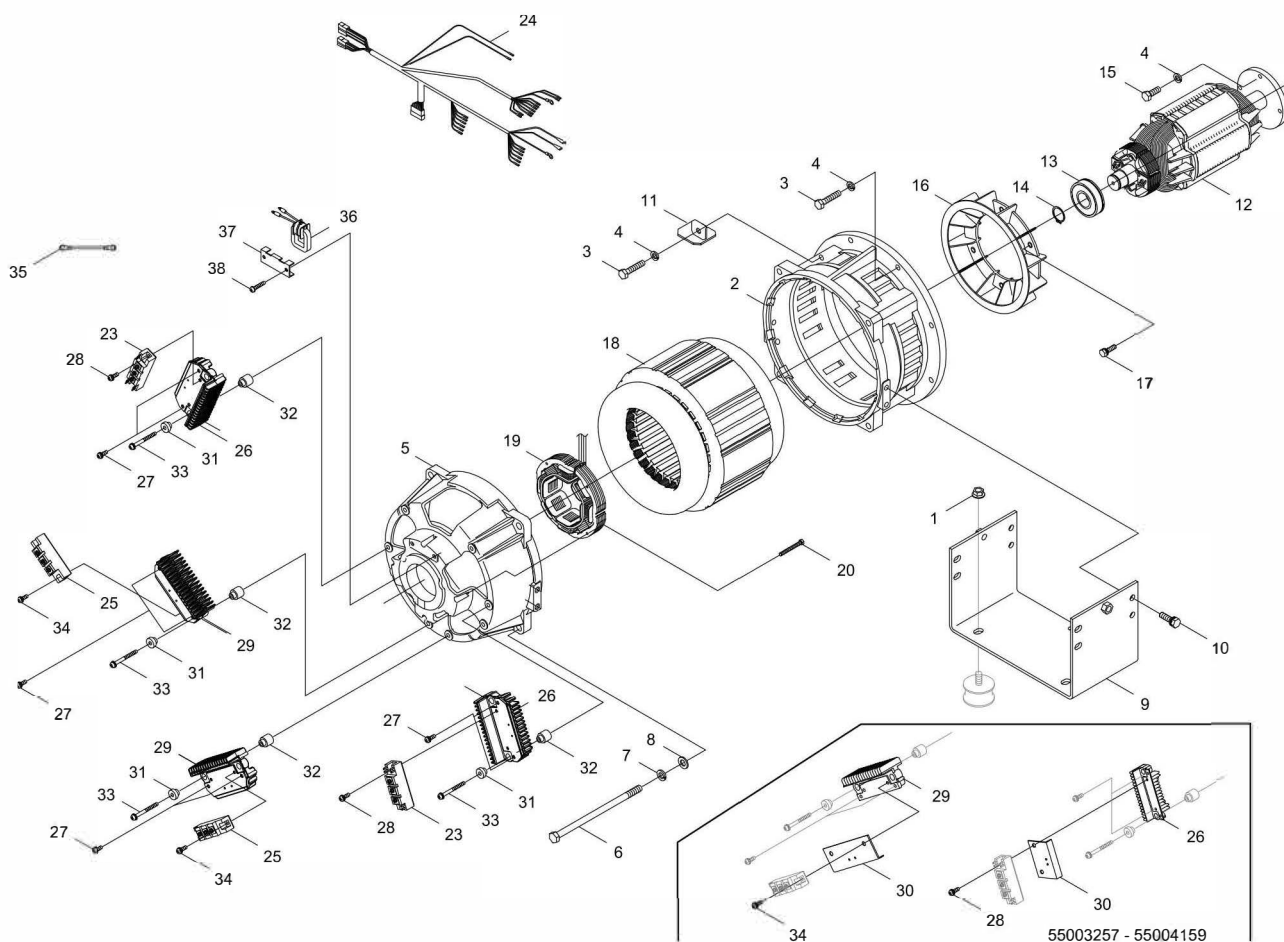
BASE, COVER

Key No.	LV (+)	Parts Number	Parts Description	Qty	Standard	Class
79		X505-004920	LABEL CAUTION	1		D
80		X505-004930	LABEL CAUTION	1		D
81		X505-004900	LABEL CAUTION	1		D
82		X505-004910	LABEL CAUTION	1		D
83		X505-004950	LABEL CAUTION	1		D
84		X505-004940	LABEL CAUTION	3		D
85		X505-004960	LABEL CAUTION	1		D
87		M704-001440	LABEL INST	1		D
88		M707-000450	LABEL,INST	1		D
89		M704-002040	LABEL,INST	1	FUEL/OIL/WATER	D
92		M705-000311	LABEL,FEATURE	2		D
93		M705-000980	LABEL,FEATURE	1	JAPAN TECHNOLOGY	D

Class : Consumable class

A:Fast moving parts B:Semi-fast moving parts C:Slow moving parts D:Order only as needed

ROTOR



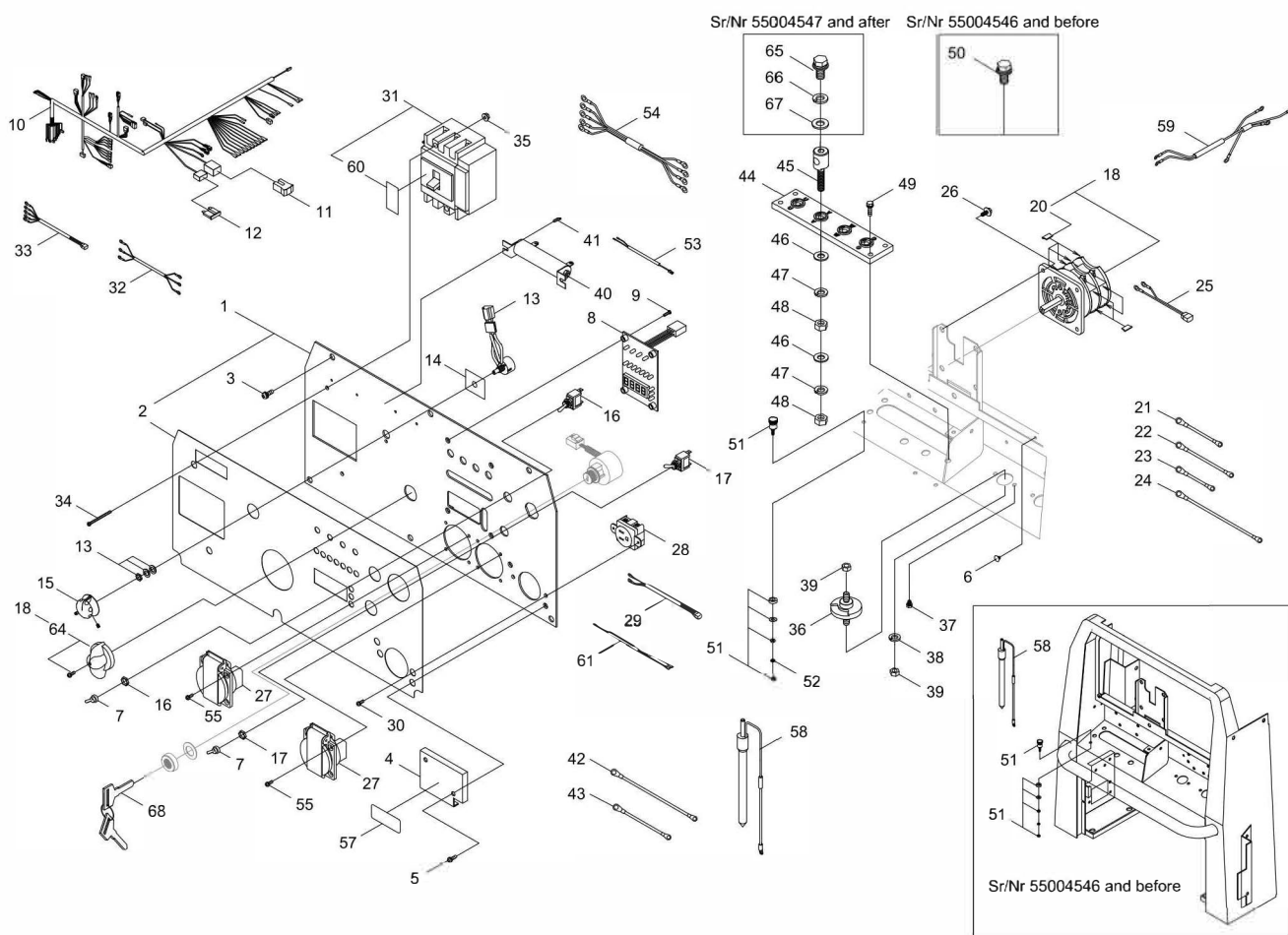
ROTOR

Key No.	LV (+)	Parts Number	Parts Description	Qty	Standard	Class
1		V268-000060	FLANGE NUT	2		C
2		M305-000080	FRONT BRACKET	1		D
3		91014-10025	BOLT	8	10*25 P1.25 8.8	
4		900605-00010	WASHER, SPRING	12	10	
5		M305-000090	REAR BRACKET	1		D
6		V207-000110	BOLT	4		C
7		900605-00012	WASHER, SPRING	4	12	
8		900617-00012	WASHER	4	12	
9		C519-002890	GENERATOR STAY	1		D
10		91024-10030	BOLT	8	10*30	
11		A565-000160	PLATE,SEAL	1		D
12		M102-000970	ROTOR	1	ROHS2	D
13		V592-000200	BEARING, BALL	1		C
14		92423-34000	RETAINING RING, EXTERNAL	1	CS-34	
15		91014-10030	BOLT	4	10*30 P1.25 8.8	
16		A171-000091	FAN, COOLING	1		C
17		900147-08025	BOLT	6	8*25	
18		M106-001180	STATOR	1		D
19		M106-000540	STATOR	1		D
20		91024-05040	BOLT	4	5*40	
23		M101-000000	THYRISTOR	2		D
24		G360-000630	WIRING HARNESS	1		C
25		M105-000230	RECTIFIER	2	PE1008N	D
26		M615-000000	STACK FIN	2		D
26		M615-000100	FIN	2		D
27		91564-06016	SCREW	8	6*16	
28		91564-06020	SCREW	4	6*20	
28		91564-06016	SCREW	4	6*16	
29		M615-000010	STACK FIN	2		D
29		M615-000110	FIN	2		D
30		M615-000020	STACK FIN	4		D
31		V376-001460	INS RING	8		C
32		V376-001470	INS RING	8		C
33		91564-06055	SCREW	8	6*55	
34		91564-05020	SCREW	4	5*20	
4		91564-05016	SCREW	4	5*16	
35		M380-000160	LEAD WIRE	6		D
36		M010-000010	CT COMP	1		D
37		V150-002660	CORE PLATE	1		C
38		91341-06025	SCREW	2	6*25	

Class : Consumable class

A:Fast moving parts B:Semi-fast moving parts C:Slow moving parts D:Order only as needed

CONTROL PANEL



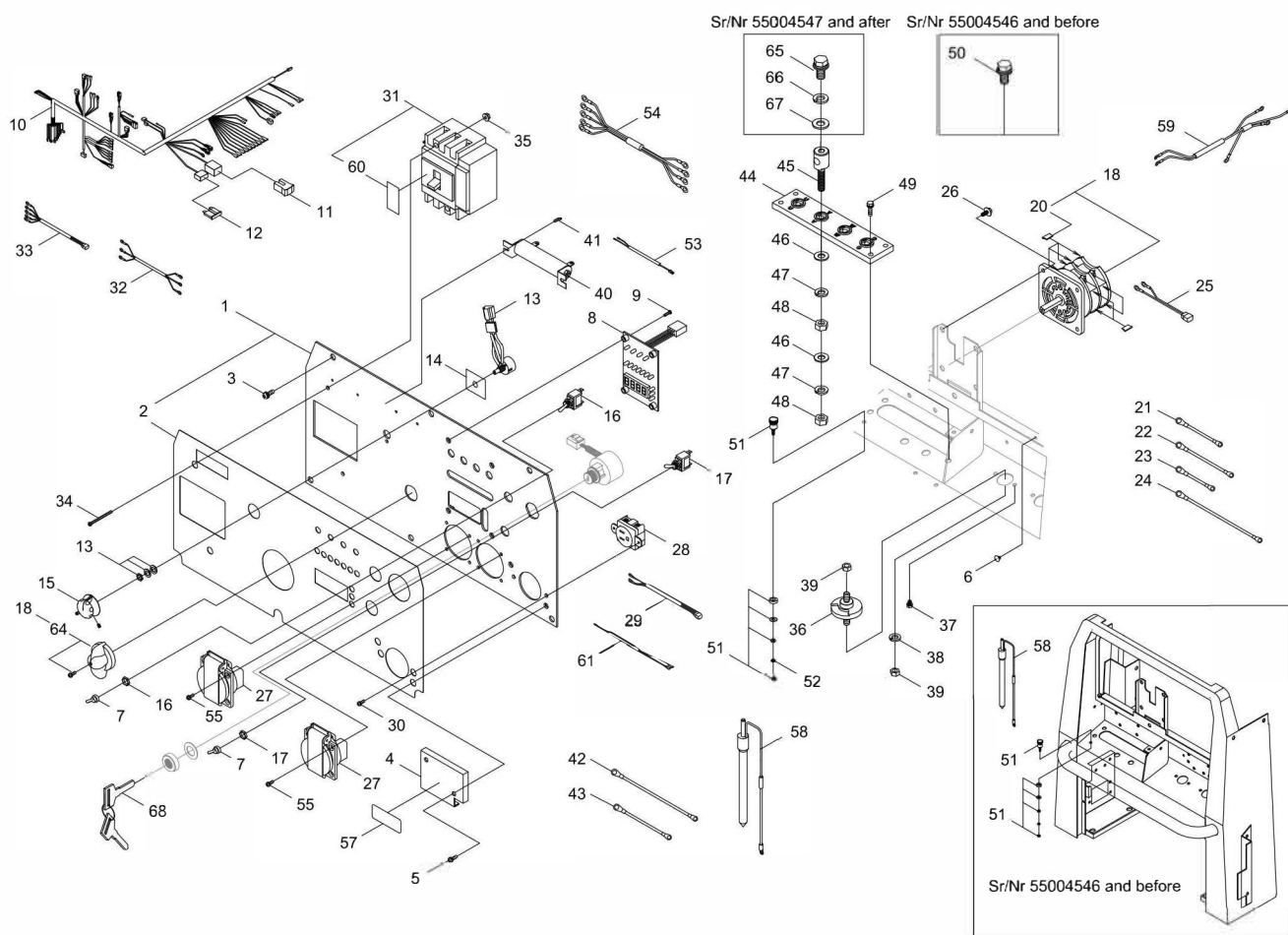
CONTROL PANEL

Key No.	LV (+)	Parts Number	Parts Description	Qty	Standard	Class
1		C160-000910	PANEL,OPERATION	1		D
2	+	X532-003420	LABEL,OPERATION	1		D
3		V204-001610	BOLT,6	6	M6*16SPW(+)	C
4		J425-002880	PANEL	1		
5		91564-04016	SCREW	2	4*16	
6		M416-000030	BAND STOPPER	4		D
7		V494-000910	CAP	2		C
8		C124-000052	MODULE, CIRCUIT	1		D
9		91461-04012	SCREW	4	4*12	
10		G031-002491	WIRING HARNESS ASSY	1		C
11	+	G350-000250	FUSE	1	50A	B
12	+	G350-000230	FUSE	1	10A	B
13		M112-000150	VOLUME	1		C
14		M702-000050	INS PAPER	1		
15		E145-000070	DIAL	1		C
16		A045-000770	SWITCH, ON OFF	1	NKK S-2F	C
17		A440-002840	SWITCH, ON OFF	1	(ON)-ON	C
18		M115-000120	CAM SWITCH SUB ASSY	1		C
20	+	V494-000400	DUST CAP	8		C
64	+	P050-008740	HANDLE	1		
21		M380-000290	LEAD WIRE	1		D
22		M380-000300	LEAD WIRE	1		D
23		M380-000310	LEAD WIRE	1		D
24		M380-000320	LEAD WIRE	1		D
25		G360-000700	WIRING HARNESS	1		C
26		V204-001720	BOLT,6	4	M6X16	C
27		C159-000050	RECEPTACLE	2	ABL 1462002	D
28		C154-000460	SOCKET	1		D
29		G360-000720	WIRING HARNESS	1		C
30		900283-04008	SCREW	2	4*8	
31		M111-001131	BREAKER	1	NY53A-R NK1064	C
60	+	X524-006170	LABEL	1	透明ラベル	D
32		G363-000020	HARNESS,WIRE	1		C
33		G360-000680	WIRING HARNESS	1		C
34		91461-04070	SCREW	2	4*70	
35		V262-000200	FLANGE NUT	2		C
36		M603-000000	TERMINAL REST	2		C
37		91031-05008	BOLT	4	5*8	
38		92237-10000	WASHER, SPRING	2	10	
39		900504-00010	NUT	4	10	
40		M110-000491	RESISTER	1	ROHS2	D
41		91564-04012	SCREW	2	4*12	
42		M380-000330	LEAD WIRE	1		D
43		M380-000340	LEAD WIRE	1		D

Class : Consumable class

A:Fast moving parts B:Semi-fast moving parts C:Slow moving parts D:Order only as needed

CONTROL PANEL



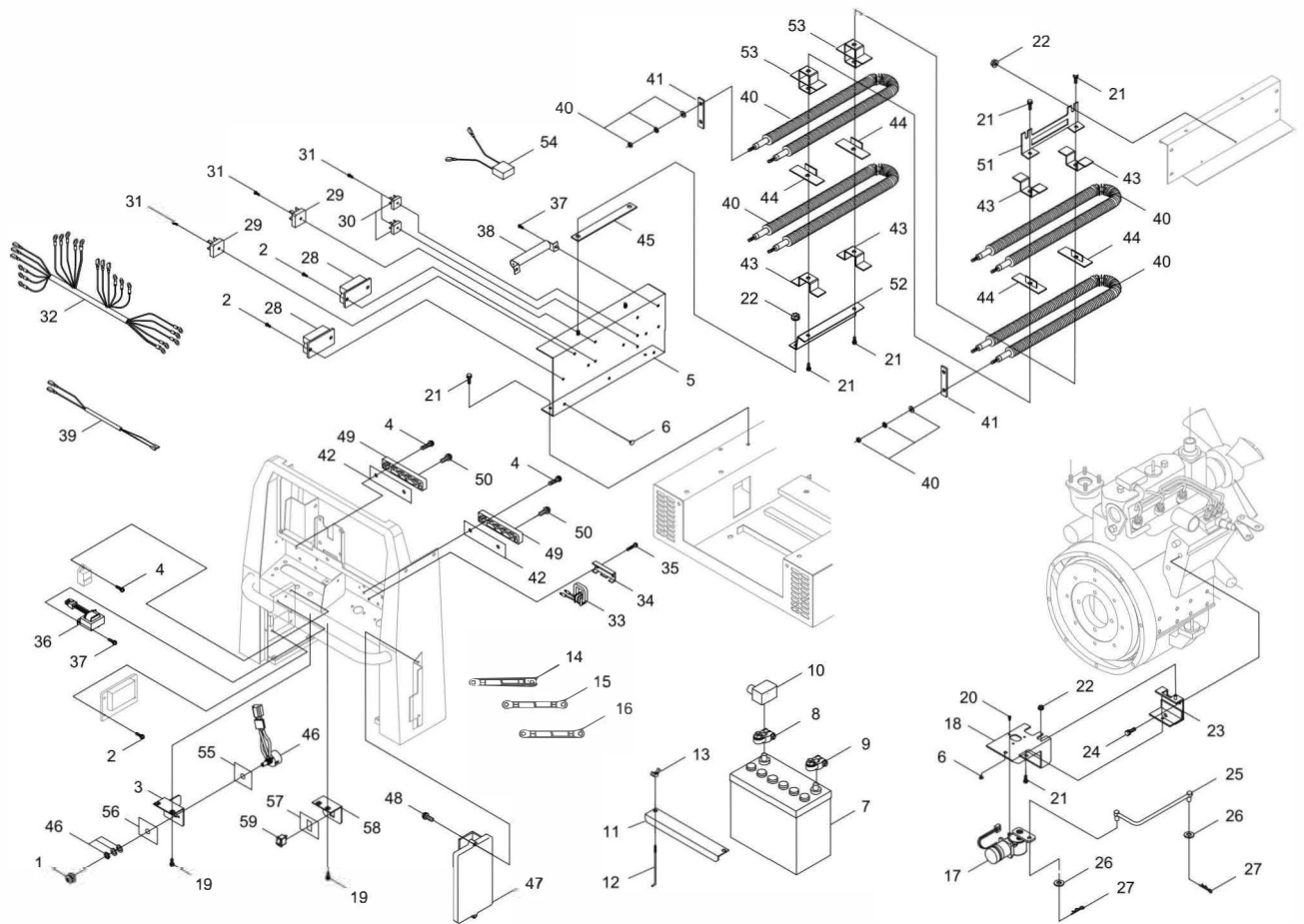
CONTROL PANEL

Key No.	LV (+)	Parts Number	Parts Description	Qty	Standard	Class
44		M307-000150	PLATE INST	1		D
45		V225-000190	TERMINAL POST	4		C
46		900602-00008	WASHER	8	8	
47		900605-00008	WASHER, SPRING	8	8	
48		900500-00008	NUT	8	8	
49		91036-06025	BOLT	4	6*25	
50		V205-000680	BOLT SW	4		C
51		V488-000020	TERMINAL POST	1		C
51		V488-000180	BODY,TERMINAL	1		C
52		900605-00004	WASHER, SPRING	1	4	
53		G362-000850	HARNESS,WIRE	1	L900	C
54		G363-000010	HARNESS,WIRE	1	3.5MM2	C
55		91493-04012	SCREW, TAPPING	8	4*12	
57		M704-002330	LABEL,INST	1	REMOTE CONTROL	D
58		M310-000050	EARTH ROD	1		D
58		M310-000100	ROD,EARTH	1	5.5MM2 L3000	D
59		G360-000710	WIRING HARNESS	1		C
61		M385-000120	LEAD	1	AWG14, L160, GRN	D
65		V205-001250	BOLT,8	4		C
66		900605-00008	WASHER, SPRING	4	8	
67		92227-08000	WASHER	4	8	
68		37410-5515-0	KEY,STRATER	1	21SET	

Class : Consumable class

A:Fast moving parts B:Semi-fast moving parts C:Slow moving parts D:Order only as needed

BATTERY, RESISTOR



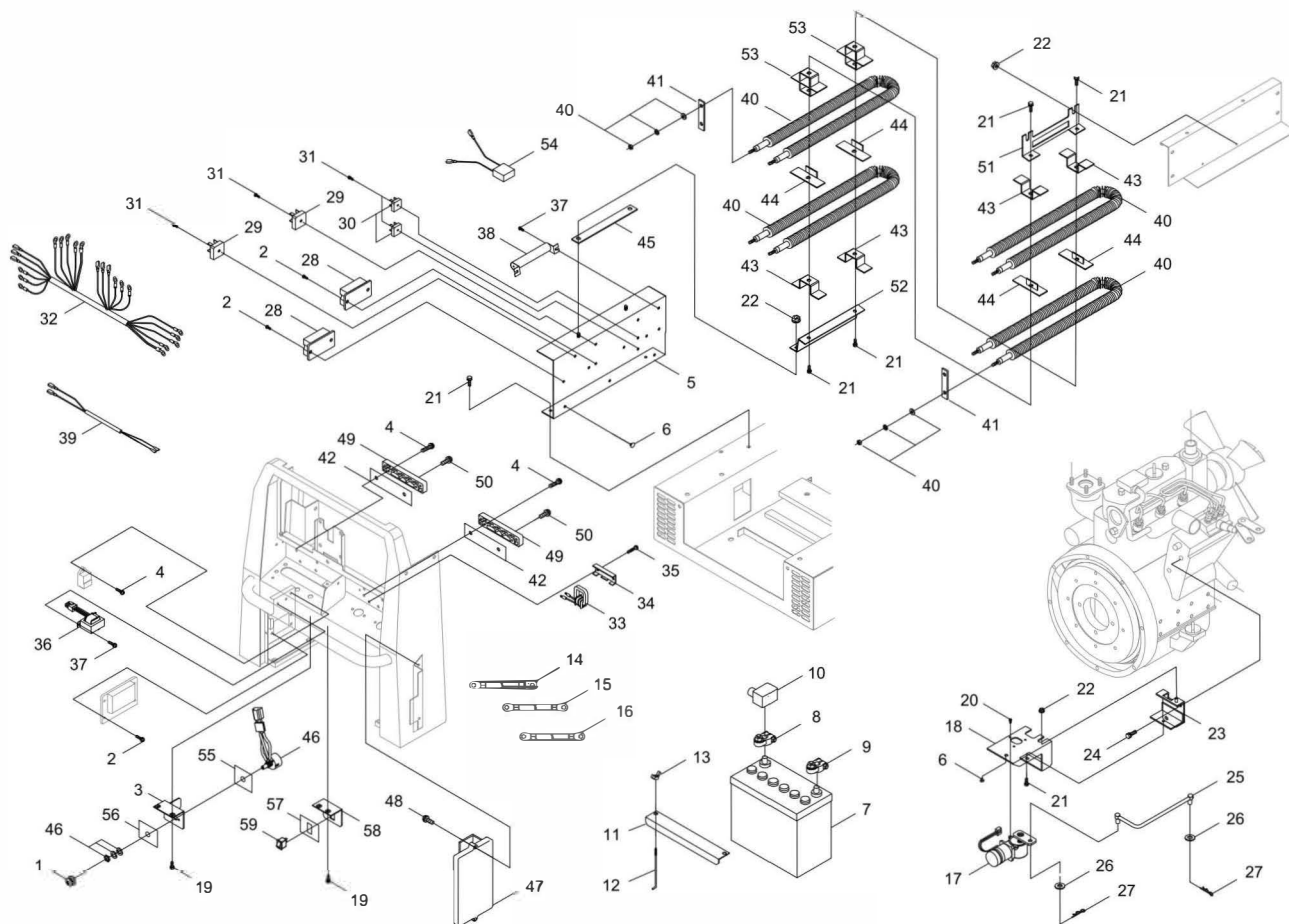
BATTERY, RESISTOR

Key No.	LV (+)	Parts Number	Parts Description	Qty	Standard	Class
1		E145-000080	DIAL	1		C
2		91564-05020	SCREW	8	5*20	
3		E149-000080	BRACKET,DIAL	1		C
4		91564-05016	SCREW	5	5*16	
5		J430-000720	BOX,CONTROL	1		
6		M416-000030	BAND STOPPER	4		D
7		V481-000170	BATTERY 46B24L	1		B
8		G304-000020	TERMINAL +	1		C
9		G304-000030	TERMINAL -	1		C
10		G305-000050	TERMINAL CAP	1		C
11		G303-000290	HOLDER,BATTERY	1		D
12		V240-000150	BOLT BATTERY	2		C
13		92190-08000	NUT, WING	2	8	
14		M380-000170	LEAD WIRE	1		D
15		M380-000180	LEAD WIRE	1		D
16		M380-000190	LEAD WIRE	1		D
17		G280-000430	MOTOR	1		C
18		C519-003780	STAY	1		D
19		91463-04010	SCREW	4	4*10	
20		91564-03016	SCREW	3	3*16	
21		V204-001720	BOLT,6	7	M6X16	C
22		V264-000220	FLANGE NUT	5		C
23		C519-003790	STAY	1		D
24		91022-08016	BOLT	2	8*16	
25		C454-000330	ROD	1		C
26		900602-00006	WASHER	2	6	
27		93003-06000	PIN, SNAP	2	6	
28		M105-000020	RECTIFIER	2		C
29		M105-000090	RECTIFIER	2		D
30		M105-000000	RECTIFIER	2		D
31		91564-04020	SCREW	4	4*20	
32		G360-000640	WIRING HARNESS	1		C
33		M010-000000	CT	1		D
34		V150-002660	CORE PLATE	1		C
35		91341-06025	SCREW	2	6*25	
36		C163-000000	TRANSFORMER COMP	1		D
37		91564-04012	SCREW	4	4*12	
38		M110-000690	RESISTER	1		D
39		G363-000000	HARNESS,WIRE	1	L450	C
40		M110-000090	RESISTOR	4		D
41		V150-002670	BUS BAR	4		C
42		C557-000310	PLATE,PROTECTION	2		D
43		V150-003230	PLATE,EYE	4		C
44		V150-003150	PLATE,EYE	4		C

Class : Consumable class

A:Fast moving parts B:Semi-fast moving parts C:Slow moving parts D:Order only as needed

BATTERY, RESISTOR



BATTERY, RESISTOR

Key No.	LV (+)	Parts Number	Parts Description	Qty	Standard	Class
45		A322-000120	HEAT INSURATOR	1		C
46		M112-000150	VOLUME	1		C
47		G370-001592	UNIT,CONTROL	1	ROHS2	C
48		91036-05025	BOLT	2	5*25	
49		V488-000010	TERMINAL REST	2		C
50		91564-06016	SCREW	9	6*16	
51		C519-003950	STAY	1		D
52		C519-003960	STAY	1		D
53		C519-003970	STAY	2		D
54		A403-000560	CONDENSER	1		C
55		M702-000050	INS PAPER	1		
56		M704-002160	LABEL,INST	1	テ`ンアツチョウセイ	D
57		M707-000440	LABEL,INST	1	FREQ_CHANGE	D
58		G393-000200	STAY,SWITCH	1		D
59		A440-001811	SWITCH, ON OFF	1		C

Class : Consumable class

A:Fast moving parts B:Semi-fast moving parts C:Slow moving parts D:Order only as needed

NUMERICAL PARTS INDEX

Part No	Part description	Page	Part No	Part description	Page	Part No	Part description	Page
09661-40150	FUEL TUBE	2	91024-10030	BOLT	12	A440-002840	SWITCH, ON OFF	14
09661-40200	FUEL TUBE	2	91031-05008	BOLT	14	A565-000160	PLATE,SEAL	12
09661-4042-0	FUEL TUBE	2	91034-06016	BOLT	8	C124-000052	MODULE, CIRCUIT	14
09661-70150	FUEL TUBE	2	91036-05025	BOLT	20	C154-000460	SOCKET	14
09661-70260	FUEL TUBE	4	91036-06020	BOLT	2	C159-000050	RECEPTACLE	14
09661-7032-0	FUEL TUBE	2	91036-06025	BOLT	6	C160-000910	PANEL,OPERATION	14
09661-70700	FUEL TUBE	2	91036-06025	BOLT	16	C163-000000	TRANSFORMER COMP	18
15241-3209-4	ASSY CARTRIDGE,OIL	4	91036-06030	BOLT	6	C390-000050	LATCH	8
16271-4356-0	ASSY ELEMENT	4	91308-03012	SCREW	8	C390-000060	LATCH	6
16863-1162-0	HOSE, INLET	4	91341-06025	SCREW	12	C454-000330	ROD	18
17214-7202-0	CAP ASSY	4	91341-06025	SCREW	18	C519-002890	GENERATOR STAY	12
17224-3321-0	PIPE	2	91461-04012	SCREW	14	C519-003780	STAY	18
17472-9701-0	V BELT	4	91461-04070	SCREW	14	C519-003790	STAY	18
1G313-7285-0	HOSE	4	91461-06012	SCREW	6	C519-003940	STAY	2
1G313-7294-0	HOSE	4	91463-04010	SCREW	18	C519-003950	STAY	20
1G659-1122-0	ELEMENT,AIR CLEANER	4	91463-05012	SCREW	2	C519-003960	STAY	20
37410-5515-0	KEY,STRATER	16	91463-05012	SCREW	8	C519-003970	STAY	20
6C090-58960	GASKET	4	91493-04012	SCREW, TAPPING	16	C557-000310	PLATE,PROTECTION	18
900147-08025	BOLT	12	91564-03016	SCREW	18	C603-000290	SIDE PLATE	8
900212-04010	SCREW	6	91564-04012	SCREW	14	C603-000570	PLATE, SIDE	8
900212-04010	SCREW	8	91564-04012	SCREW	18	C603-000580	PLATE, SIDE	8
900283-04008	SCREW	14	91564-04016	SCREW	14	C619-000290	BASE,FRAME	8
900500-00008	NUT	16	91564-04020	SCREW	18	E145-000070	DIAL	14
900504-00010	NUT	14	91564-05016	SCREW	12	E145-000080	DIAL	18
900602-00006	WASHER	18	91564-05016	SCREW	18	E149-000080	BRACKET,DIAL	18
900602-00008	WASHER	6	91564-05020	SCREW	12	E166-000090	PIECE,PIPE	4
900602-00008	WASHER	16	91564-05020	SCREW	18	E228-000000	DRAIN PIPE	8
900605-00004	WASHER, SPRING	16	91564-06016	SCREW	12	E325-000360	GAUGE,LEVEL	2
900605-00008	WASHER, SPRING	16	91564-06016	SCREW	20	G031-002491	WIRING HARNESS ASSY	14
900605-00010	WASHER, SPRING	2	91564-06020	SCREW	12	G121-000280	STAY,ENGINE	2
900605-00010	WASHER, SPRING	12	91564-06055	SCREW	12	G126-000260	BRACKET,TANK	2
900605-00012	WASHER, SPRING	2	92190-08000	NUT, WING	18	G126-000270	BRACKET,TANK	2
900605-00012	WASHER, SPRING	6	92227-08000	WASHER	16	G211-000230	STAY,CLEANER	2
900605-00012	WASHER, SPRING	12	92237-10000	WASHER, SPRING	14	G231-000540	FLEXIBLE TUBE	2
900617-00010	WASHER	2	92423-34000	RETAINING RING, EXTERNAL	12	G231-000550	INLET PIPE	2
900617-00012	WASHER	6	93003-05000	PIN, SNAP	6	G231-000560	EXHAUST PIPE	2
900617-00012	WASHER	12	93003-06000	PIN, SNAP	18	G250-000680	TANK,FUEL	2
91000-12022	BOLT	2	A045-000770	SWITCH, ON OFF	14	G255-000110	TANK CAP	2
91000-12022	BOLT	6	A171-000091	FAN, COOLING	12	G257-000560	STOPPER	8
91014-10025	BOLT	12	A300-001430	MUFFLER	2	G280-000430	MOTOR	18
91014-10030	BOLT	12	A322-000120	HEAT INSURATOR	20	G303-000290	HOLDER,BATTERY	18
91022-08016	BOLT	2	A369-000180	STRAINER	2	G304-000020	TERMINAL +	18
91022-08016	BOLT	18	A403-000560	CONDENSER	20	G304-000030	TERMINAL -	18
91022-10050	BOLT	8	A440-001811	SWITCH, ON OFF	20	G305-000050	TERMINAL CAP	18
91024-05040	BOLT	12				G350-000230	FUSE	14

NUMERICAL PARTS INDEX

Part No	Part description	Page	Part No	Part description	Page	Part No	Part description	Page
G350-000250	FUSE	14	M105-000020	RECTIFIER	18	M704-001440	LABEL INST	10
G360-000630	WIRING HARNESS	12	M105-000090	RECTIFIER	18	M704-002040	LABEL,INST	10
G360-000640	WIRING HARNESS	18	M105-000230	RECTIFIER	12	M704-002160	LABEL,INST	20
G360-000680	WIRING HARNESS	14	M106-000540	STATOR	12	M704-002330	LABEL,INST	16
G360-000700	WIRING HARNESS	14	M106-001180	STATOR	12	M705-000311	LABEL,FEATURE	10
G360-000710	WIRING HARNESS	16	M110-000090	RESISTOR	18	M705-000750	LABEL,FEATURE	8
G360-000720	WIRING HARNESS	14	M110-000491	RESISTER	14	M705-000980	LABEL,FEATURE	10
G362-000850	HARNESS,WIRE	16	M110-000690	RESISTER	18	M707-000440	LABEL,INST	20
G363-000000	HARNESS,WIRE	18	M111-001131	BREAKER	14	M707-000450	LABEL,INST	10
G363-000010	HARNESS,WIRE	16	M112-000150	VOLUME	14	P021-052380	HINGE SET	8
G363-000020	HARNESS,WIRE	14	M112-000150	VOLUME	20	P050-008740	HANDLE	14
G370-001592	UNIT,CONTROL	20	M115-000120	CAM SWITCH SUB ASSY	14	V104-001740	GASKET	2
G393-000200	STAY,SWITCH	20	M305-000080	FRONT BRACKET	12	V107-000140	PACKING	2
J405-001320	BED	6	M305-000090	REAR BRACKET	12	V145-000510	TANK BUSH	4
J405-002951	FRAME	6	M307-000150	PLATE INST	16	V150-002620	TAPPING PLATE	8
J410-002401	BONNET	6	M310-000050	EARTH ROD	16	V150-002660	CORE PLATE	12
J410-002402	BONNET	8	M310-000100	ROD,EARTH	16	V150-002660	CORE PLATE	18
J410-002700	BONNET	6	M380-000160	LEAD WIRE	12	V150-002670	BUS BAR	18
J415-000360	STAY,BONNET	6	M380-000170	LEAD WIRE	18	V150-003150	PLATE,EYE	18
J415-000370	STAY,BONNET	6	M380-000180	LEAD WIRE	18	V150-003230	PLATE,EYE	18
J416-000000	KNOB,BONNET	6	M380-000190	LEAD WIRE	18	V204-000960	FRANGE BOLT	8
J425-002680	PANEL	6	M380-000290	LEAD WIRE	14	V204-001610	BOLT,6	8
J425-002880	PANEL	14	M380-000300	LEAD WIRE	14	V204-001610	BOLT,6	14
J430-000720	BOX,CONTROL	18	M380-000310	LEAD WIRE	14	V204-001720	BOLT,6	2
J447-000460	GUARD	6	M380-000320	LEAD WIRE	14	V204-001720	BOLT,6	6
J470-004530	COVER	6	M380-000330	LEAD WIRE	14	V204-001720	BOLT,6	14
J470-005850	COVER	6	M380-000340	LEAD WIRE	14	V204-001720	BOLT,6	18
J470-005860	COVER	6	M385-000120	LEAD	16	V205-000680	BOLT SW	16
J470-006940	COVER	6	M402-000530	DOOR,FRONT	6	V205-001170	BOLT,8	2
J480-000750	LID,COVER	8	M404-001090	DOOR,LEFT	8	V205-001170	BOLT,8	6
J485-000310	HINGE	6	M406-001500	DOOR,RIGHT	8	V205-001250	BOLT,8	16
J485-000330	HINGE	6	M416-000020	TIE MOUNT	6	V205-001340	BOLT,8	2
J485-000561	HINGE	6	M416-000030	BAND STOPPER	14	V206-000480	BOLT	2
J492-001460	BONNET	6	M416-000030	BAND STOPPER	18	V206-000590	BOLT,10	6
J493-000740	BONNET	6	M600-000000	SHACKLE	8	V207-000110	BOLT	12
K1G318-11-01-0	AIR CLENAER ASSY	4	M601-000170	JOINT	4	V225-000190	TERMINAL POST	16
K1G318-72-06-0	RADIATORASSY	4	M603-000000	TERMINAL REST	14	V240-000150	BOLT BATTERY	18
K405-000240	HOSE	8	M615-000000	STACK FIN	12	V242-000270	SHAFT	8
K405-000280	HOSE	8	M615-000010	STACK FIN	12	V261-000010	FLANGE NUT	8
M010-000000	CT	18	M615-000020	STACK FIN	12	V262-000200	FLANGE NUT	14
M010-000010	CT COMP	12	M615-000100	FIN	12	V264-000220	FLANGE NUT	6
M101-000000	THYRISTOR	12	M615-000110	FIN	12	V264-000220	FLANGE NUT	8
M102-000970	ROTOR	12	M702-000050	INS PAPER	14	V264-000220	FLANGE NUT	18
M105-000000	RECTIFIER	18	M702-000050	INS PAPER	20	V265-000290	FLANGE NUT	2
			M704-001400	LABEL INST	8	V268-000060	FLANGE NUT	12

NUMERICAL PARTS INDEX

Part No	Part description	Page	Part No	Part description	Page
V324-000010	WASHER	6	X505-004950	LABEL CAUTION	10
V375-000460	COLLAR	8	X505-004960	LABEL CAUTION	10
V375-000480	COLLAR	6	X524-006170	LABEL	14
V376-001460	INS RING	12	X532-003420	LABEL,OPERATION	14
V376-001470	INS RING	12	X533-000820	LABEL,SPEC	8
V418-000040	SPONGE	2			
V420-003140	AV RUBBER	6			
V420-003150	CUSHION	6			
V420-003150	CUSHION	8			
V420-003160	BUSH RUBBER	6			
V420-003170	RUBBER PIPE	6			
V450-001280	COIL SPRING	6			
V475-006130	TUBE	2			
V475-006140	TUBE	2			
V475-006150	TUBE	8			
V475-006160	TUBE	8			
V476-000180	TUBE	2			
V476-000270	TUBE	4			
V476-000280	TUBE	2			
V476-000330	TUBE	4			
V476-000340	TUBE	2			
V481-000170	BATTERY 46B24L	18			
V488-000010	TERMINAL REST	20			
V488-000020	TERMINAL POST	16			
V488-000180	BODY,TERMINAL	16			
V489-000120	CHAIN	2			
V494-000400	DUST CAP	14			
V494-000910	CAP	14			
V495-002100	CLAMP	2			
V495-002110	HOUSE CLAMP	8			
V500-000020	SEAL WASHER	2			
V500-000020	SEAL WASHER	8			
V500-000070	SEAL,OIL	8			
V541-000390	SHEET	2			
V592-000200	BEARING, BALL	12			
V623-000080	PIN COMP	6			
V649-000130	BLIND RIVET	8			
X504-006550	LABEL,BRAND	8			
X505-004880	LABEL CAUTION	8			
X505-004890	LABEL CAUTION	8			
X505-004900	LABEL CAUTION	10			
X505-004910	LABEL CAUTION	10			
X505-004920	LABEL CAUTION	10			
X505-004930	LABEL CAUTION	10			
X505-004940	LABEL CAUTION	10			