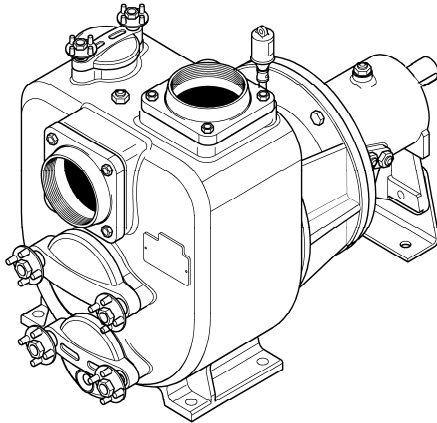
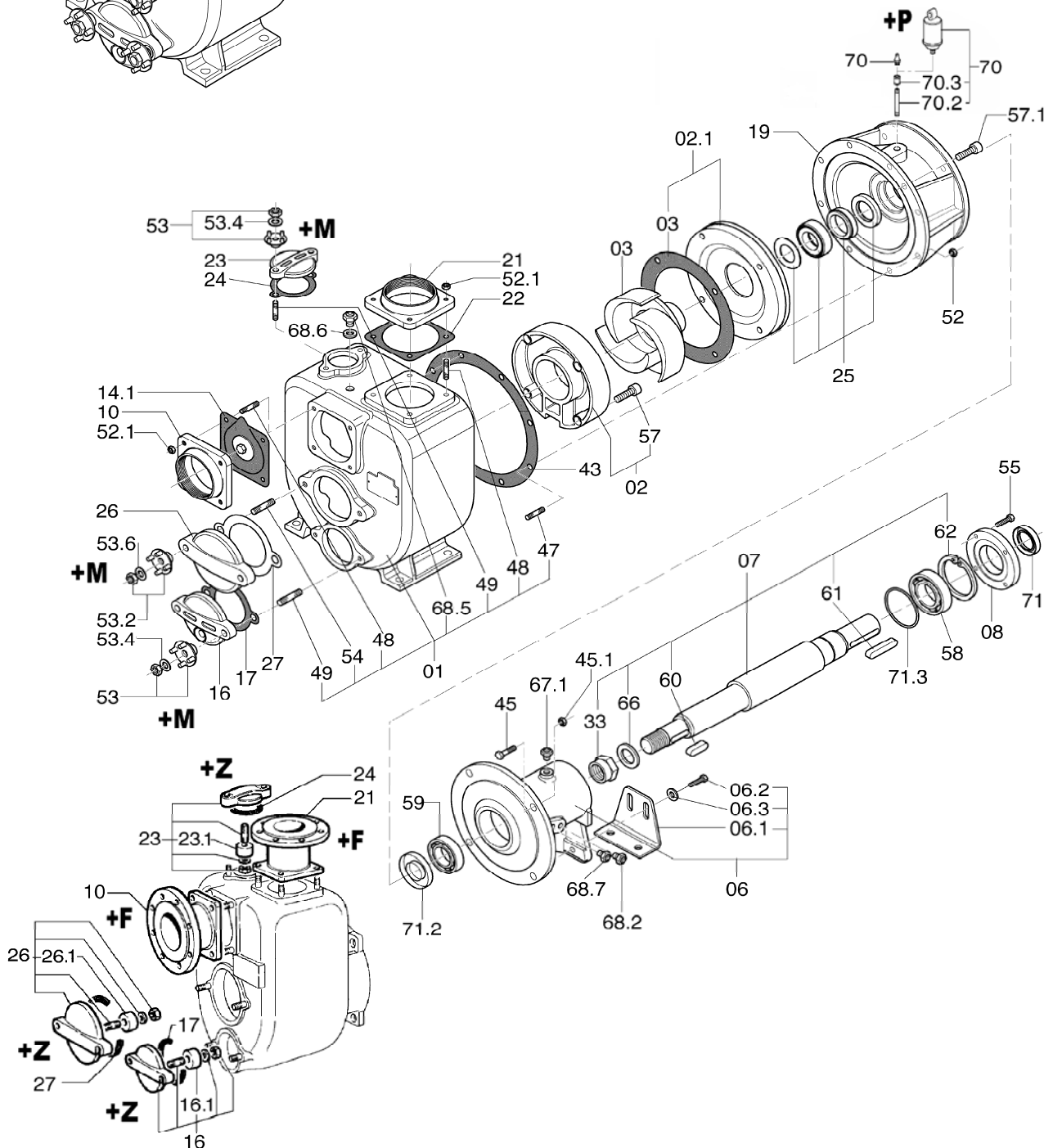


DISTINTA DELLE PARTI COSTITUENTI LE POMPE CENTRIFUGHE AUTODESCANTI SERIE "J"
 SPARE PARTS LIST FOR "J" SERIES SELF-PRIMING CENTRIFUGAL PUMPS
 LISTE DES PIÈCES DE RECHANGE POUR POMPES CENTRIFUGES AUTO-AMORÇANTES SERIE "J"
 ERSATZTEILLISTE FÜR SELBSTANSAUGENDE KREISELPUMPEN SERIE "J"



| | |
|--------------|---------------|
| JS 3-225 G10 | Code 10036005 |
| JS 3-225 Q10 | Code 10036036 |
| JS 3-225 B10 | Code 10036046 |
| JS 3-225 P10 | Code 10036052 |
| JS 3-225 F10 | Code 10036042 |



| Rif. N° Pos. Nr. | Quant. | Denominazione | Part name | Den. Comm. Type | Mat. * | Codice Nuovo New Part. No. | JS 3-225 G10 | JS 3-225 Q10 | JS 3-225 B10 | JS 3-225 P10 | JS 3-225 F10 |
|------------------------|--------|----------------------|----------------------|--------------------|--------|-------------------------------|--------------|--------------|--------------|--------------|--------------|
| | | | | | | | | | | | |
| 01 | 1 | Corpo (1) | Casing (1) | | G | 1000 8034 | ○ | | | ○ | ○ |
| | | | | | B | 1000 8026 | | | ○ | | |
| | | | | | G | 1002 7654 | | ○ | | | |
| 02 | 1 | Piatto d' usura (2) | Wear plate (2) | | G | 1002 4210 | ○ | | | ○ | ○ |
| | | | | | B | 1002 7655 | | ○ | ○ | | |
| 03 | 1 | Girante | Impeller | | G | 1002 8324 | ○ | | | ○ | |
| | | | | | K | 1003 6041 | | | | | ○ |
| | | | | | B | 1003 6023 | | ○ | ○ | | |
| 06 | 1 | Supporto | Bearing housing | | G | 1003 5999 | ○ | ○ | ○ | ○ | ○ |
| 06.1 | 1 | Piede supporto | Bearing housing foot | | S | 1000 6142 | ○ | ○ | ○ | ○ | ○ |
| 06.2 | 2 | Vite | Screw | M 12 x 30 DIN 933 | S | 1000 1960 | ○ | ○ | ○ | ○ | ○ |
| 06.3 | 2 | Rondella | Washer | M 12 DIN 125 A | S | 1000 1699 | ○ | ○ | ○ | ○ | ○ |
| 07 | 1 | Albero (3) | Shaft (3) | | S | 1002 8330 | ○ | | | ○ | |
| | | | | | K | 1003 6034 | | ○ | ○ | | ○ |
| 08 | 1 | Copricuscinetto | Bearing cover | | G | 1002 8322 | ○ | ○ | ○ | ○ | ○ |
| 10 | 1 | Portavalvola | Suction flange | R 3" | G | 1000 6422 | ○ | | | ○ | ○ |
| | | | | R 3" | OTS | 1000 6399 | | ○ | ○ | | |
| | | | | | | | +F | +F | +F | +F | +F |
| 14.1 | 1 | Valvola completa (4) | Check valve ass. (4) | | NK | 1000 9019 | ○ | ○ | ○ | | |
| | | | | | VK | 1000 9022 | | | | ○ | ○ |
| 16 | 1 | Portina | Cover | | S | 1000 6474 | ○ | | | ○ | ○ |
| | | | | | OTS | 1000 8503 | | | ○ | | |
| | | | | | SZ | 1000 3749 | +Z | ○ | | | |
| 16.1 | 1 | Placca zinco | Zinc anode | | Z | 2720 0000 | +Z | | | | |
| 17 (**) | 2 | Guarnizione | Gasket | | | | | | | | |
| 19 | 1 | Portamotore | Head | | G | 1002 8325 | ○ | ○ | | ○ | ○ |
| | | | | | G | 1003 6044 | | | ○ | | |
| 21 | 1 | Flangia mandata | Discharge flange | R 3" | G | 1000 5090 | ○ | | | ○ | ○ |
| | | | | R 3" | OTS | 1000 5070 | | ○ | ○ | | |
| | | | | | | | +F | +F | +F | +F | +F |
| 22 (**) | 1 | Guarnizione | Gasket | | | | | | | | |
| 23 | 1 | Portina | Cover | | S | 1000 6473 | ○ | | | ○ | ○ |
| | | | | | OTS | 1000 3748 | | | ○ | | |
| | | | | | SZ | 1000 8502 | +Z | ○ | | | |
| 23.1 | 1 | Placca zinco | Zinc anode | | | | +Z | | | | |
| 25 | 1 | Anello di tenuta | Mechanical seal ass. | T 35 YYN | | 1002 8341 | ○ | ○ | ○ | | |
| | | | | T 35 GYV | | 10036047 | | | | ○ | |
| | | | | T 35 YYV | | 1003 6039 | | | | | ○ |
| 26 | 1 | Portina | Cover | | G | 1000 6475 | ○ | | | ○ | ○ |
| | | | | | GZ | 1000 8504 | +Z | ○ | | | |
| | | | | | B | 1000 6468 | | | ○ | | |
| 26.1 | 2 | Placca zinco | Zinc anode | | Z | 2720 0000 | +Z | | | | |
| 27 (**) | 1 | Guarnizione | Gasket | | | | | | | | |
| 33 | 1 | Dado girante | Impeller nut | M 24 x 2 UNI 7474 | H | 1000 1465 | ○ | | | ○ | |
| | | | | M 24 x 2 UNI 7474 | K | 1000 1472 | | ○ | ○ | | ○ |
| 42 (**) | 1 | Guarnizione piatto | Wear plate gasket | | | | | | | | |
| 43 (**) | 1 | Guarnizione corpo | Casing gasket | | | | | | | | |
| 45 | 4 | Vite | Screw | M 12 x 40 DIN 933 | S | 1000 1962 | ○ | | | ○ | |
| | | | | M 12 x 40 DIN 933 | K | 1000 2054 | | ○ | ○ | | ○ |

| Rif. N° Pos. Nr. | Quant. | Denominazione | Part name | Den. Comm. Type | Mat. * | Codice Nuovo New Part. No. | JS 3-225 G10 | JS 3-225 Q10 | JS 3-225 B10 | JS 3-225 P10 | JS 3-225 F10 |
|------------------|--------|---------------|---------------|----------------------|--------|----------------------------|--------------|--------------|--------------|--------------|--------------|
| 45.1 | 4 | Dado | Nut | M 12 DIN 934 | S | 1000 1422 | ○ | | | ○ | |
| | | | | | K | 1000 1439 | | ○ | | ○ | |
| 47 (*) | 8 | Prigioniero | Stud | M 10 x 25 DIN 938 | S | | ○ | | | ○ | |
| | | | | | K | | | ○ | | ○ | |
| 48 (*) | 8 | Prigioniero | Stud | M 10x25 DIN 938 | S | | ○ | | | ○ | |
| | | | | | K | | | ○ | | ○ | |
| 49 (*) | 4 | Prigioniero | Stud | M 10x30 DIN 938 | S | | ○ | | ○ | ○ | |
| | | | | | K | | | ○ | | ○ | |
| 52 (*) | 8 | Dado | Nut | M 10 DIN 934 | S | | ○ | | | ○ | |
| | | | | | H | | | ○ | | ○ | |
| 52.1(*) | 8 | Dado | Nut | M 10 DIN 934 | S | | ○ | | | ○ | |
| | | | | | H | | | ○ | | ○ | |
| 53 (*) | 4 | Dado | Nut | M 10 DIN 934 | S | | ○ | ○ | | ○ | |
| | | | | | H | | | ○ | | | ○ |
| | | Maniglietta | Wrench | M 10 | OTS | | +M | ○ | ○ | | |
| 53.2 (*) | 2 | Dado | Nut | M 12 DIN 934 | S | | ○ | | | ○ | |
| | | | | | H | | | ○ | | | ○ |
| | | Maniglietta | Wrench | M 12 | OTS | | +M | ○ | ○ | | |
| 53.4 (*) | 4 | Rondella | Washer | M 10 DIN 125 A | S | | ○ | | | ○ | |
| | | | | | H | | | | | | ○ |
| 53.6 (*) | 2 | Rondella | Washer | M 12 DIN 125 A | S | | ○ | | | ○ | |
| | | | | | H | | | | | | ○ |
| 54 (*) | 2 | Prigioniero | Stud | M 12x35 DIN 938 | S | | ○ | | | ○ | |
| | | | | | K | | | ○ | | ○ | |
| 55 | 2 | Vite | Screw | M 6x25 DIN 933 | S | 1002 8349 | ○ | | | ○ | |
| | | | | | K | 1000 2069 | | ○ | | ○ | |
| 57 (*) | 3 | Vite | Screw | M 10x35 DIN 912 | K | | ○ | ○ | ○ | ○ | ○ |
| 58 | 1 | Cuscinetto | Ball bearing | 6307 C3 | | 1003 6001 | ○ | ○ | ○ | ○ | ○ |
| 59 | 1 | Cuscinetto | Ball bearing | 6207 | | 1003 6000 | ○ | ○ | ○ | ○ | ○ |
| 60 | 1 | Linguetta | Key | 8 x 7 x 30 DIN 6885A | K | 1002 8331 | ○ | ○ | ○ | ○ | ○ |
| 61 | 1 | Linguetta | Key | 8 x 7 x 50 DIN 6885A | S | 1000 1594 | ○ | ○ | ○ | ○ | ○ |
| 62 | 1 | Anello | Ring | D.35 UNI7435 | S | 1002 8353 | ○ | ○ | ○ | ○ | ○ |
| 66 | 1 | Rondella | Washer | M 24 DIN 125 A | H | 1000 1714 | ○ | | | ○ | |
| | | | | | K | 1000 1713 | | ○ | | ○ | |
| 67.1 | 1 | Tappo | Plug | 1/4" | | 1002 5074 | ○ | ○ | ○ | ○ | ○ |
| 68.2 | 1 | Tappo | Plug | 1/4" BSP | | 10002379 | ○ | ○ | ○ | ○ | ○ |
| 68.5 | 1 | Tappo | Plug | 1/4" | S | 1000 2379 | ○ | | | ○ | |
| | | | | | K | 1000 2414 | | ○ | | ○ | |
| 68.6 | 1 | Guarnizione | Gasket | 1/4" | E3 | 10005657 | | ○ | ○ | | ○ |
| 68.7 | 1 | Tappo | Plug | 1/4" BSP | | 1002 5076 | ○ | ○ | ○ | ○ | ○ |
| 70 | 1 | Ingrassatore | Grease nipple | R 1/4" | | 1000 1662 | ○ | ○ | ○ | ○ | ○ |
| | | | | | | 1000 8316 | +P | +P | +P | +P | +P |
| 70.2 | 1 | Manicotto | Union | R 1/4" M/F | S | | +P | +P | +P | +P | +P |
| 70.4 | 1 | Prolunga | Grease tube | 1/4" | S | | +P | +P | +P | +P | +P |
| 71 | 1 | Paraolio | Oil seal | 35x55x10 | | | ○ | ○ | ○ | ○ | ○ |
| 71.2 | 1 | Paraolio | Oil seal | 35x72x10 | | | ○ | ○ | ○ | ○ | ○ |
| 71.3 | 1 | Guarnizione | Gasket | OR 4312 | N | | ○ | ○ | ○ | ○ | ○ |
| (*) | | Serie viterie | Set of screw | | | 1002 8339 | ○ | | | ○ | |
| | | | | | | 1003 6025 | | ○ | ○ | | |
| | | | | | | 1003 6038 | | | | | ○ |

| Rif. N° Pos. Nr. | Quant. | Denominazione | Part name | Den. Comm. Type | Mat. * | Codice Nuovo New Part. No. | JS 3-225 G10 | JS 3-225 Q10 | JS 3-225 B10 | JS 3-225 P10 | JS 3-225 F10 | | |
|---------------------|--------|-------------------|-------------------|--------------------|--------|-------------------------------|--------------|--------------|--------------|--------------|--------------|---|---|
| (**) | | Serie guarnizioni | Set of gaskets | | N | 1001 4162 | ○ | | ○ | | | | |
| | | | | | V | 1001 4193 | | | | ○ | ○ | | |
| | | | | | N | 1001 4473 | | | | | | ○ | ○ |
| | | | | | N | 1001 4175 | | ○ | | | | | |
| +F*** | | Kit flange | Kit flange | DIN PN 16 DN 80 | G | 1000 5092 | ○ | | | ○ | ○ | | |
| | | | | DIN PN 16 DN 80 | B | 1000 5071 | | ○ | ○ | | | | |
| +P*** | | Kit ingrassatore | Compl. Grease kit | | | 1000 8316 | ○ | ○ | ○ | | ○ | | |
| +Z*** | | Kit portine | Set of couver | | GZ | 1001 4076 | ○ | | | | | | |
| +M*** | | Kit maniglie | Set of wrench | | OTS | 1004 2260 | ○ | ○ | ○ | ○ | ○ | | |
| *** | | Optional | | | | | | | | | | | |

| Note: | Notes: |
|---|--|
| 1) Completo di prigionieri (47, 48, 49, 50). | 1) Complete with studs (47, 48, 49,50). |
| 2) Completo di viti (57). | 2) Complete with screws (57). |
| 3) Completo di dado, rondella e linguette (33, 60, 61, 66) | 3) Complete with nut, washer and keys (33, 60, 61, 66) |
| 4) Completo di valvola, contrappesi, vite e dado | 4) Complete with check valve, weights, screw and nut |
| * Materiali di costruzione | * Construction materials |
| B Bronzo | B Bronze |
| E3 Centellen VS 3820 | E3 Centellen VS 3820 |
| G Ghisa | G Cast iron |
| H Acciaio inox AISI 304 | H AISI 304 stainless steel |
| K Acciaio inox AISI 316 | K AISI 316 stainless steel |
| N Gomma nitrile | N Nitrile rubber |
| OTS Ottone | OTS Brass |
| S Acciaio | S Steel |
| V Viton | V Viton |
| Ordinare il materiale indicando sempre la quantità, la denominazione, il codice del pezzo, il tipo e il numero della pompa. | When ordering spares always indicate: quantity, part name and part number, type and serial number of pump. |