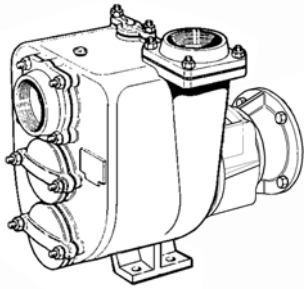
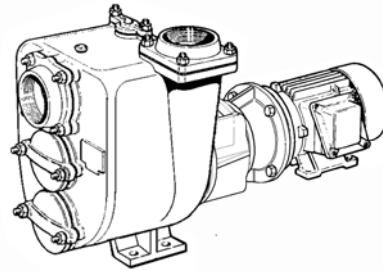


## DISTINTA DELLE PARTI COSTITUENTI LE POMPE CENTRIFUGHE AUTOADESCANTI SERIE " J "

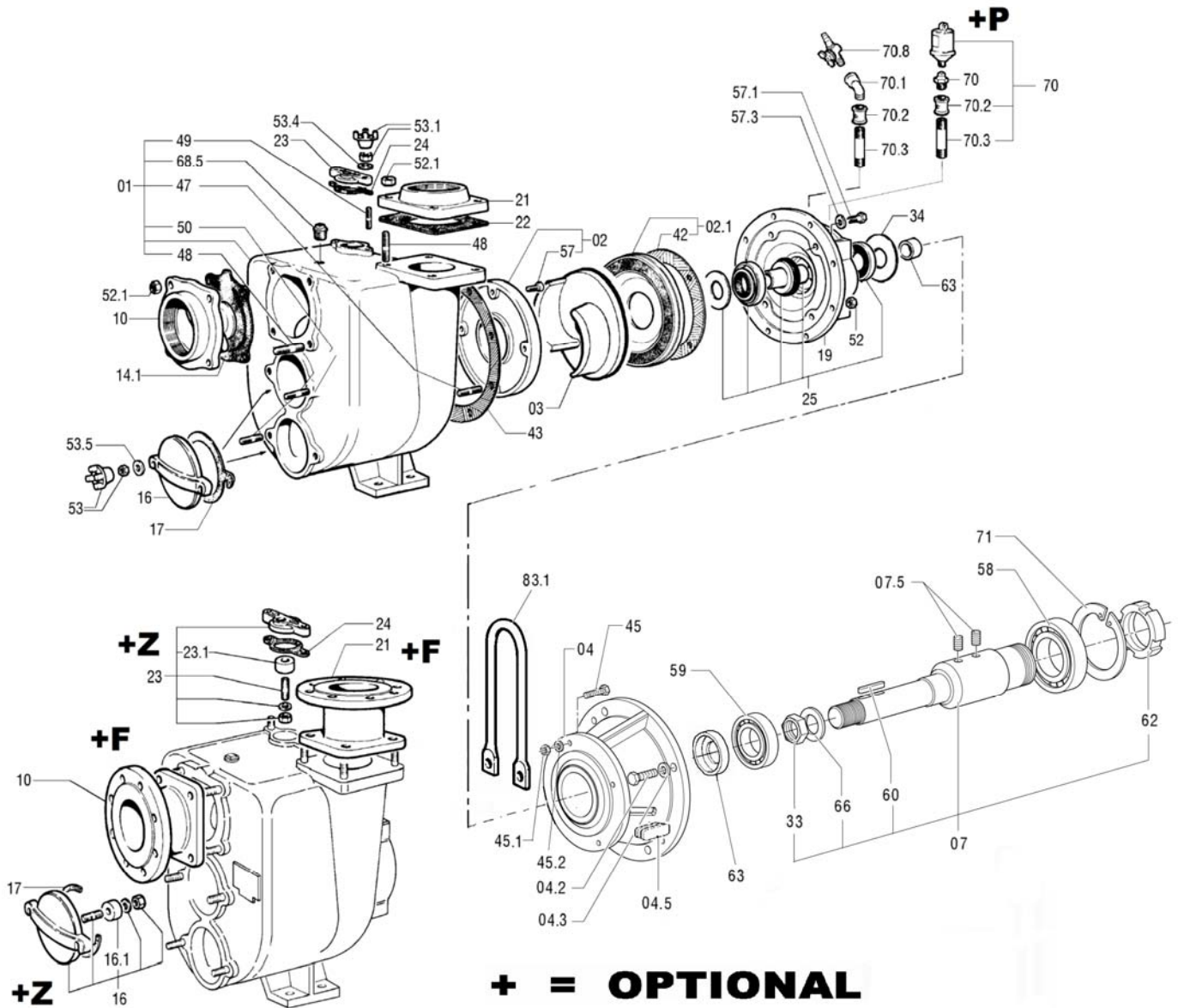
### SPARE PARTS LIST FOR" J "SERIES SELF-PRIMING PUMPS

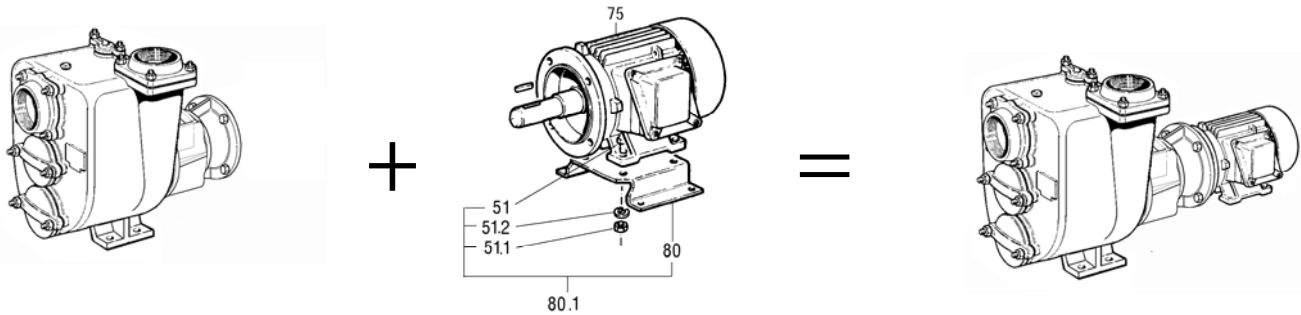


JP 4-253 G10 FT0 Code 1005 4648  
 JP 4-253 B10 FT0 Code 1005 4650  
 JP 4-253 Q10 FT0 Code 1005 4654  
 JP 4-253 P10 FT0 Code 1005 4652



JE 4-253 G10 FT40 Code 1005 4649  
 JE 4-253 B10 FT40 Code 1005 4651  
 JE 4-253 Q10 FT40 Code 1005 4655  
 JE 4-253 P10 FT40 Code 1005 4653





JP

+

MOTORE / MOTOR

=

JE

Rif. N°. Pos. Nr.	Quant.	Denominazione	Part name	Den. Comm. Type	Mat. *	Codice Nuovo New Part. No.	JP 4-253 G10 FT0	JP 4-253 B10 ET0	JP 4-253 Q10 FT0	JP 4-253 P10 FT0
01	1	Corpo (1)	Casing (1)		G	1002 3922	<input type="checkbox"/>	<input type="checkbox"/>	<input type="checkbox"/>	<input type="checkbox"/>
					B	1002 3923	<input type="checkbox"/>	<input type="checkbox"/>	<input type="checkbox"/>	<input type="checkbox"/>
					G	1002 7005	<input type="checkbox"/>	<input type="checkbox"/>	<input type="checkbox"/>	<input type="checkbox"/>
02	1	Piatto d'usura (2)	Wear plate (2)		G	1000 8418	<input type="checkbox"/>	<input type="checkbox"/>	<input type="checkbox"/>	<input type="checkbox"/>
					B	1000 8393	<input type="checkbox"/>	<input type="checkbox"/>	<input type="checkbox"/>	<input type="checkbox"/>
					GN	1000 8442	<input type="checkbox"/>	<input type="checkbox"/>	<input type="checkbox"/>	<input type="checkbox"/>
02.1	1	Piatto d'usura (3)	Wear plate (3)		G	1002 3926	<input type="checkbox"/>	<input type="checkbox"/>	<input type="checkbox"/>	<input type="checkbox"/>
					B	1002 3927	<input type="checkbox"/>	<input type="checkbox"/>	<input type="checkbox"/>	<input type="checkbox"/>
					GN	10023925	<input type="checkbox"/>	<input type="checkbox"/>	<input type="checkbox"/>	<input type="checkbox"/>
03	1	Girante	Impeller		GS	1002 3089	<input type="checkbox"/>	<input type="checkbox"/>	<input type="checkbox"/>	<input type="checkbox"/>
					B	1002 3151	<input type="checkbox"/>	<input type="checkbox"/>	<input type="checkbox"/>	<input type="checkbox"/>
04	1	Campana	Coupling flange		G	1005 1180	<input type="checkbox"/>	<input type="checkbox"/>	<input type="checkbox"/>	<input type="checkbox"/>
04.2	4	Vite	Screw	M 12 x 55 DIN 933	S	1000 2002	<input type="checkbox"/>	<input type="checkbox"/>	<input type="checkbox"/>	<input type="checkbox"/>
					K	1004 3204	<input type="checkbox"/>	<input type="checkbox"/>	<input type="checkbox"/>	<input type="checkbox"/>
04.3	4	Dado	Nut	M 12 DIN 934	S	1000 1422	<input type="checkbox"/>	<input type="checkbox"/>	<input type="checkbox"/>	<input type="checkbox"/>
					K	1000 1439	<input type="checkbox"/>	<input type="checkbox"/>	<input type="checkbox"/>	<input type="checkbox"/>
04.5	1	Tappo	Plug			1000 2908	<input type="checkbox"/>	<input type="checkbox"/>	<input type="checkbox"/>	<input type="checkbox"/>
07	1	Albero (4)	Shaft (4)		S	1005 1527	<input type="checkbox"/>	<input type="checkbox"/>	<input type="checkbox"/>	<input type="checkbox"/>
					K	1005 1533	<input type="checkbox"/>	<input type="checkbox"/>	<input type="checkbox"/>	<input type="checkbox"/>
07.5	2	Vite	Screw	M 6x10 DIN 916		1003 7642	<input type="checkbox"/>	<input type="checkbox"/>	<input type="checkbox"/>	<input type="checkbox"/>
10	1	Portavalvola	Suction flange	R 4"	G	1000 6426	<input type="checkbox"/>	<input type="checkbox"/>	<input type="checkbox"/>	<input type="checkbox"/>
					B	1000 6401	<input type="checkbox"/>	<input type="checkbox"/>	<input type="checkbox"/>	<input type="checkbox"/>
					K	1000 6450	<input type="checkbox"/>	<input type="checkbox"/>	<input type="checkbox"/>	<input type="checkbox"/>
							+F	+F	+F	+F
14.1	1	Valvola completa	Check valve ass.		NK	1000 9032	<input type="checkbox"/>	<input type="checkbox"/>	<input type="checkbox"/>	<input type="checkbox"/>
					VK	1000 9024	<input type="checkbox"/>	<input type="checkbox"/>	<input type="checkbox"/>	<input type="checkbox"/>
16	2	Portina	Cover		G	1000 6475	<input type="checkbox"/>	<input type="checkbox"/>	<input type="checkbox"/>	<input type="checkbox"/>
					B	1000 6468	<input type="checkbox"/>	<input type="checkbox"/>	<input type="checkbox"/>	<input type="checkbox"/>
					GZ	1000 8504	<input type="checkbox"/>	<input type="checkbox"/>	<input type="checkbox"/>	<input type="checkbox"/>
16.1	1	Placca zinco	Zinc anode		Z	1000 3810	<input type="checkbox"/>	<input type="checkbox"/>	<input type="checkbox"/>	<input type="checkbox"/>
17 (**)	2	Guarnizione	Gasket				<input type="checkbox"/>	<input type="checkbox"/>	<input type="checkbox"/>	<input type="checkbox"/>
19	1	Portamotore	Head		G	1002 1216	<input type="checkbox"/>	<input type="checkbox"/>	<input type="checkbox"/>	<input type="checkbox"/>
					B	1002 1276	<input type="checkbox"/>	<input type="checkbox"/>	<input type="checkbox"/>	<input type="checkbox"/>
21	1	Flangia mandata	Discharge flange	R 4"	G	1000 5094	<input type="checkbox"/>	<input type="checkbox"/>	<input type="checkbox"/>	<input type="checkbox"/>
					B	1000 5072	<input type="checkbox"/>	<input type="checkbox"/>	<input type="checkbox"/>	<input type="checkbox"/>
							+F	+F	+F	+F
22 (**)	1	Guarnizione	Gasket				<input type="checkbox"/>	<input type="checkbox"/>	<input type="checkbox"/>	<input type="checkbox"/>
23	1	Portina	Cover		S	1000 6473	<input type="checkbox"/>	<input type="checkbox"/>	<input type="checkbox"/>	<input type="checkbox"/>
					OTS	1000 3748	<input type="checkbox"/>	<input type="checkbox"/>	<input type="checkbox"/>	<input type="checkbox"/>
					SZ	1000 8502	<input type="checkbox"/>	<input type="checkbox"/>	<input type="checkbox"/>	<input type="checkbox"/>
23.1	2	Placca zinco	Zinc anode		Z	1000 3810	<input type="checkbox"/>	<input type="checkbox"/>	<input type="checkbox"/>	<input type="checkbox"/>
24 (**)	1	Guarnizione	Gasket				<input type="checkbox"/>	<input type="checkbox"/>	<input type="checkbox"/>	<input type="checkbox"/>
25	1	Anello di tenuta compl.	Mechanical seal ass.	T 45 YYN ND T 45 YYV ND		1002 1228	<input type="checkbox"/>	<input type="checkbox"/>	<input type="checkbox"/>	<input type="checkbox"/>
						1002 1309	<input type="checkbox"/>	<input type="checkbox"/>	<input type="checkbox"/>	<input type="checkbox"/>
33	1	Dado blocca girante	Impeller nut	M 30 x 2-5H UNI7474 M 30 x 2-5H UNI7474	H	1000 1466	<input type="checkbox"/>	<input type="checkbox"/>	<input type="checkbox"/>	<input type="checkbox"/>
					K	1000 1473	<input type="checkbox"/>	<input type="checkbox"/>	<input type="checkbox"/>	<input type="checkbox"/>
42 (**)	1	Guarnizione piatto	Wear plate gasket				<input type="checkbox"/>	<input type="checkbox"/>	<input type="checkbox"/>	<input type="checkbox"/>
43 (**)	1	Guarnizione corpo	Casing gasket				<input type="checkbox"/>	<input type="checkbox"/>	<input type="checkbox"/>	<input type="checkbox"/>

VARISCO S.p.A.

Terza Strada, 9 - Z.I. Nord - 35129 Padova - Italy

Tel. 049 82 94 111

Fax 049 82 94 373

+39 049 82 94 111  
International +39 049 80 76 762
**varisco**  
 solid pumping solutions

Rif. N°. Pos. Nr.	Quant.	Denominazione	Part name	Den. Comm. Type	Mat. *	Codice Nuovo New Part. No.	JP 4-253 G10 FT0	JP 4-253 B10 ET0	JP 4-253 Q10 FT0	JP 4-253 P10 FT0
45	2	Vite	Screw	M 12 x 35 DIN 933	S	1000 1961	○			○
	2			M 12 x 45 DIN 933	S	1000 1963	○			
	2			M 12 x 35 DIN 933	K	1000 2067		○	○	
	2			M 12 x 45 DIN 933	K	1000 2056		○	○	
45.1	4	Dado	Nut	M 12 DIN 934	S	1000 1422	○			○
					K	1000 1439		○	○	
45.2	4	Rondella	Washer	M 12 UNI1751/52 A	S	1000 1681	○			○
					K	1000 1685		○	○	
47 (*)	8	Prigioniero	Stud	M 12 x 35 DIN 938	S		○			○
					K			○	○	
48 (*)	8	Prigioniero	Stud	M 12 x 30 DIN 938	S		○			○
					K			○	○	
49 (*)	2	Prigioniero	Stud	M 10 x 30 DIN 938	S		○			○
					K			○	○	
50 (*)	4	Prigioniero	Stud	M 12 x 30 DIN 938	S		○			○
					K			○	○	
51	4	Vite	Screw	M 10 x 35 DIN 933	S	1000 1950	○	○	○	○
51.1	4	Dado	Nut	M 10 DIN 934	S	1000 1421	○	○	○	○
51.2	4	Rondella	Washer	M 10 DIN 125 A	S	1000 1691	○	○	○	○
52 (*)	8	Dado	Nut	M 12 DIN 934	S		○			○
					K			○	○	
52.1 (*)	4	Dado	Nut	M 12 DIN 934	S		○			○
					K			○	○	
52.2 (*)	4	Dado	Nut	M 12 DIN 934	S		○			○
					K			○	○	
51	4	Vite	Screw	M 10 x 35 DIN 933	S	1000 1950	○	○	○	○
51.1	4	Dado	Nut	M 10 DIN 934	S	1000 1421	○	○	○	○
51.2	4	Rondella	Washer	M 10 DIN 125 A	S	1000 1691	○	○	○	○
53 (*)	4	Dado	Nut	M 12 DIN 934	S		○			○
		Maniglietta	Wrench	M 12	OTS			○	○	
		Maniglietta	Wrench	M 12	OTS		<b>+M</b>			<b>+M</b>
53.2 (*)	2	Dado	Nut	M 10 DIN 934	S		○			○
		Maniglietta	Wrench	M 10	OTS			○	○	
		Maniglietta	Wrench	M 10	OTS		<b>+M</b>			<b>+M</b>
53.4 (*)	2	Rondella	Washer	M 10 DIN 125 A	S		○			○
					K			○	○	
53.5 (*)	4	Rondella	Washer	M 12 DIN 125 A	S		○			○
					K			○	○	
55	4	Vite	Screw	M 6 x 25 DIN 933	S	1002 8349	○	○	○	○
57 (*)	4	Vite	Screw	M 10 x 20 DIN 912	H		○			
					K			○	○	
58	1	Cuscinetto	Ball bearing	3308 2RS		1005 4292	○	○	○	○
59	1	Cuscinetto	Ball bearing	6211 2RS		1005 1529	○	○	○	○
60	1	Linguetta	Key	10x8x40 DIN 6885 A	K	1000 1626	○	○	○	○
62	1	Ghiera	Lock ring	M 55	S	1005 0469	○	○	○	○
63	1	Ghiera	Sleeve	35 x 50 x 10	S	1002 1222	○	○	○	○
66	1	Rondella	Washer	M 30 DIN 125A	H	1000 1716	○			○
					K	1000 1715		○	○	
68.5 (*)	1	Tappo	Plug	1/4"	S		○	○	○	○
70 (*)	1	Ingrassatore	Grease nipple	1/4"		1000 1662	○	○	○	○
		Cartuccia Perma	Perma cartridge			1000 8316	<b>+P</b>	<b>+P</b>	<b>+P</b>	<b>+P</b>
70.1	1	Manicotto	Union		G	1000 2352	<b>+P</b>	<b>+P</b>	<b>+P</b>	<b>+P</b>
70.2	1	Prolunga	Grease tube		S	1000 6955	<b>+P</b>	<b>+P</b>	<b>+P</b>	<b>+P</b>
71	1	Seeger	Seeger	D.100 UNI7437	S	1005 0470	○	○	○	○
75	1	Motore V.400-690 (3-PH)	A.C.Motor V.400-690 (3-PH)	7,5 Kw B35 IP55		1004 2941	○	○	○	○
80	1	Piede motore	Motor base		S	1004 2841	○	○	○	○
80.1	1	Kit piede motore	Electric motor foot			1004 3181	○	○	○	○
83.1	1	Gancio di sollevam.	Lifting hook		S	1004 5782	○	○	○	○

Rif. N°. Pos. Nr.	Quant.	Denominazione	Part name	Den. Comm. Type	Mat. *	Codice Nuovo New Part. No.	JP 4-253 G10 FT0	JP 4-253 B10 ET0	JP 4-253 Q10 FT0	JP 4-253 P10 FT0
(*)		Serie viterie	Set of screws			1002 1368 1002 1375	○	○	○	○
(**)		Serie guarnizioni	Set of gaskets		N N V V	1001 4009 1001 4013 1002 5773 1001 4011	○ ○ ○ ○	○ ○ ○ ○	○ ○ ○ ○	○ ○ ○ ○
+F***		Kit flange	Kit flange	DN 100 PN16 DN 100 PN16 4" ASA150 4" ASA150	G B G B	1004 2352 1004 2787 1004 2820 1004 2824	○ ○ ○ ○	○ ○ ○ ○	○ ○ ○ ○	○ ○ ○ ○
+P***		Kit ingrassatore	Compl. Grease kit			1000 8316	○	○	○	○
+Z***		Kit portine	Set of couver		GZ	1001 4027	○	○	○	○
+M***		Kit manigliette	Set of wrench		OTS	1004 2351	○	○	○	○
***		Optional								

Note:	Notes:
1) Completo di prigionieri (47, 48, 49, 50, 54) e tappo (68.5).	1) Complete with studs (47, 48, 49, 50, 54) and plugs (68.5).
2) Completo di viti (57).	2) Complete with screws (57).
3) Completo di guarnizione (42).	3) Complete with gasket (42).
4) Completo di dado (33), rondella (66), linguette (60,61) ghiera (62) e viti (07.5).	4) Complete with nut (33), washer (66), keys (60,61) and lock ring (62) and screws (07.5).
* Materiali di costruzione	* Construction material
G = Ghisa	G = Cast iron
GS = Ghisa sferoidale	GS = Ductile cast iron
H = Acciaio INOX AISI 304	H = AISI 304 Stainless steel
K = Acciaio INOX AISI 316	K = AISI 316 Stainless steel
N = Gomma nitrile	N = Nitrile rubber
OTS = Ottone	OTS = Brass
S = Acciaio	S = Steel
V = Viton	V = Viton
Z = Zinco	Z = Zinc
Ordinare il materiale indicando sempre la quantità, la denominazione, il codice del pezzo, il tipo ed il numero della pompa.	When ordering spares always indicate type and serial number of pump, quantity, part name, and number.