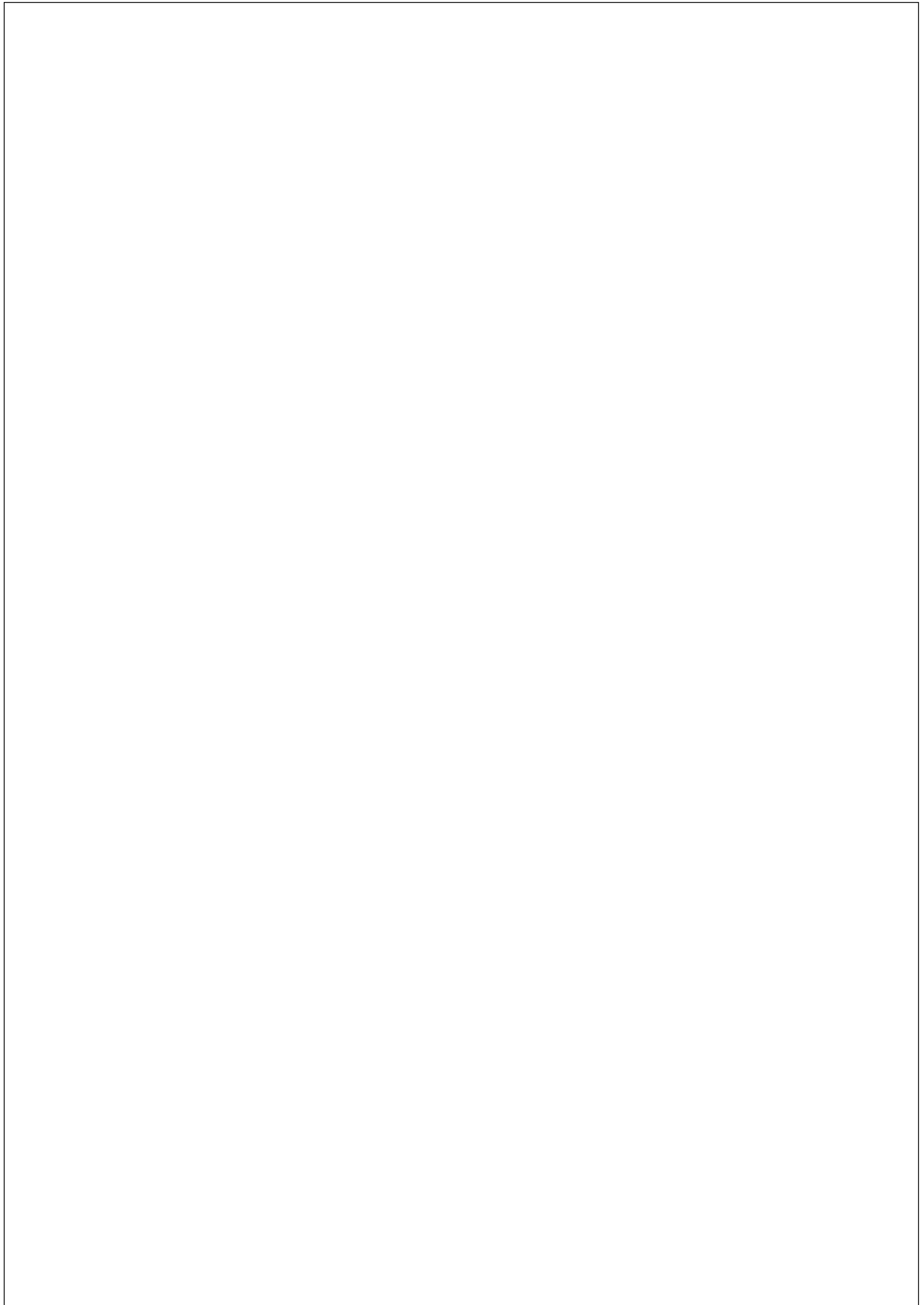




## §KDD350(#DSC)

Update Date 05/05/2020

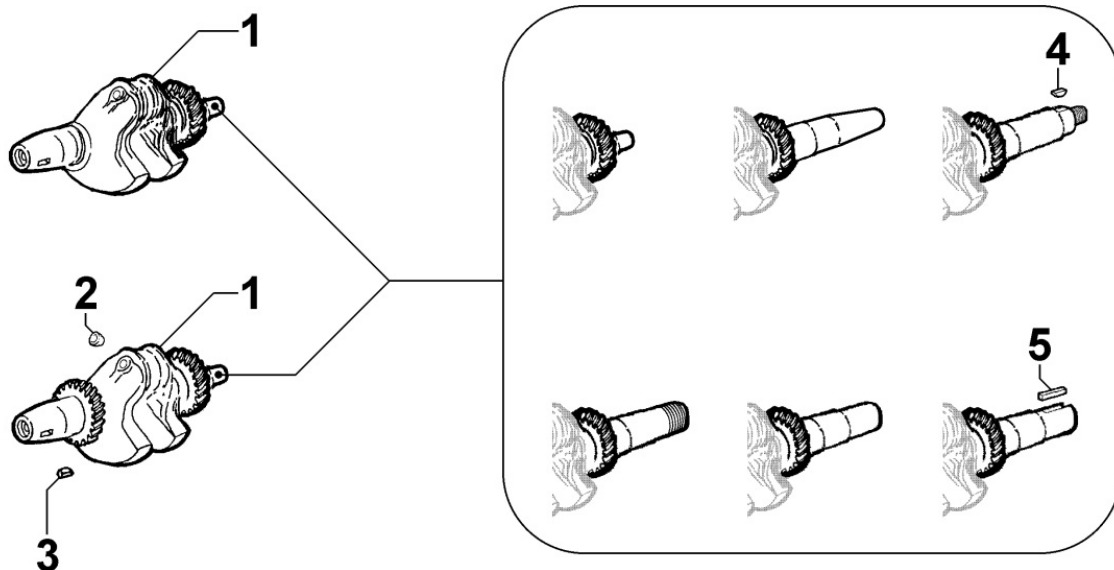
Print Date 20/05/2020



## Tavola ricambi

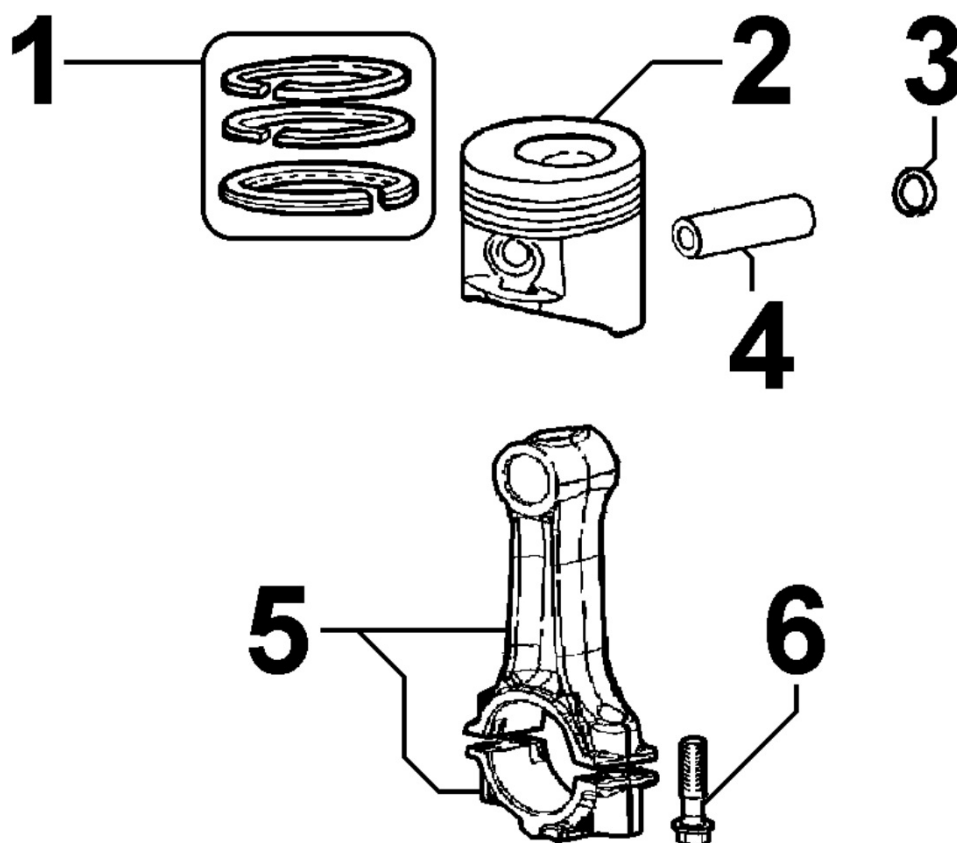
Index	Description
8010150010	CRANKSHAFT
8011150030	PISTON / CONNECTING ROD
8012150050	FLYWHEEL
8020150070	CRANKCASE
8021150040	CYLINDER HEAD
8022150060	HEAD COVER
8024150010	TIMING GEAR SIDE SUPPORT
8030150380	INJECTION SYSTEM
8035150010	CAMSHAFT
8036150010	ROCKER ARMS / VALVES
8037150010	COMPRESSION RELEASE
8040150010	OIL PUMP
8042150030	OIL FILTER
8043150010	OIL DIPSTICK
8044150010	OIL PRESSURE VALVE
8050150200	SPEED GOVERNOR
8051150440	CONTROLS
8052150160	ELECTROVALVE
8061150040	FUEL FILTER
8062150010	FUEL FEED PUMP
8063150020	FUEL TANK
8064150100	FUEL LINES
8070150100	AIR SHROUD
8072150070	COOLING PLATES
8081150060	AIR FILTER
8086150360	EXHAUST LINE
8087150020	EXHAUST GAS ACCESSORIES
8100150020	VOLTAGE ALTERNATOR
8101150040	STARTING MOTOR
8102150090	OIL PRESSURE SWITCH
8103150370	CONTROL PANEL / ENGINE WIRES
8110150020	STARTING
8120150250	RECOIL STARTING

**8010150010 - CRANKSHAFT**



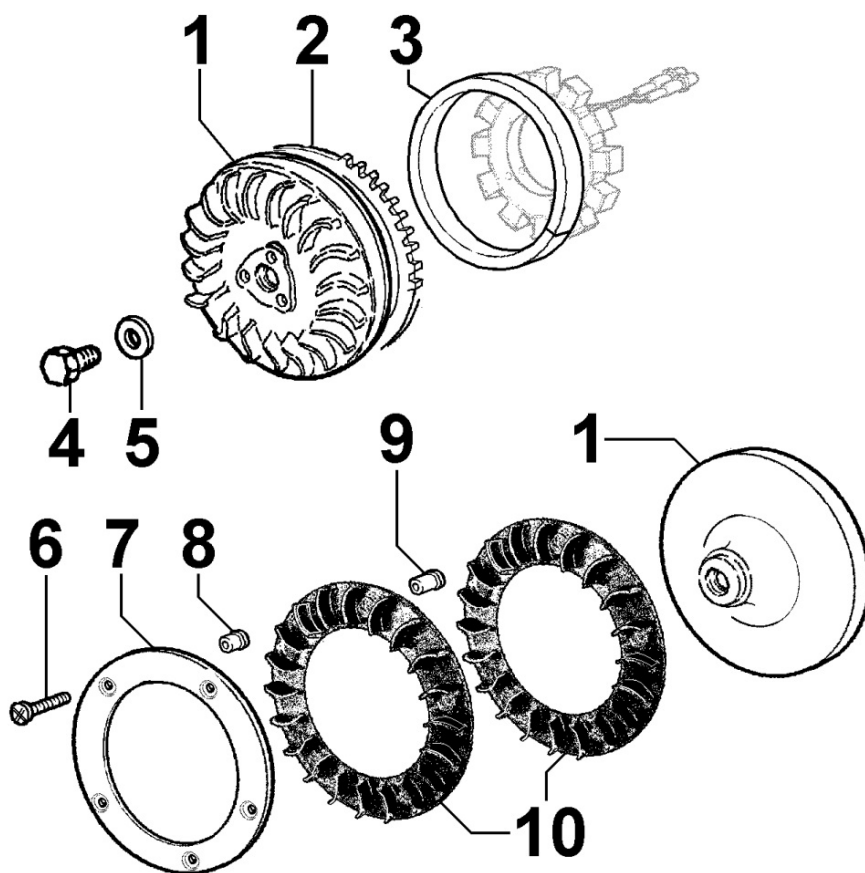
Pos	Kit	Included In	Code	Description	Qty	Old Code	Tech. Info
1	(A)		ED0010508910-S	ALB.GOMITO/CRANKSHAFT D **	1		
2		(A)	ED0090801320-S	PLUG AVSEAL D6 02961-00607	1		
3		(A)	ED0022800670-S	KEY	1		

8011150030 - PISTON / CONNECTING ROD



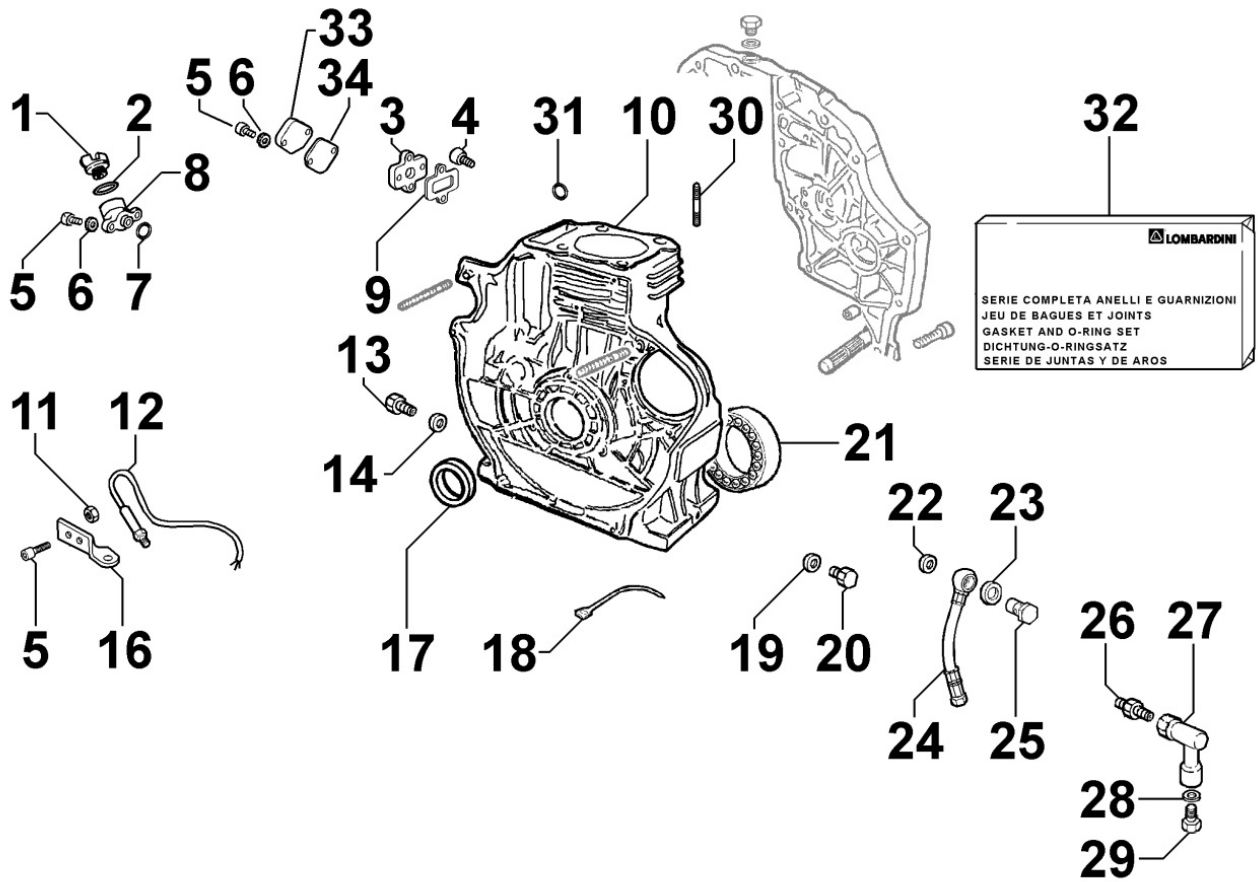
Pos	Kit	Included In	Code	Description	Qty	Old Code	Tech. Info
1		(B)	ED0082112390-S	PISTON RING SET	1		
1		(B)	ED0082112400-S	PIST.RING.SET+0.50 15LD350-400	1		
1		(B)	ED0082112410-S	RING SET +1.00	1		
2	(B)		ED0065014870-S	PISTON STD 15LD 350	1		
2	(B)		ED0065014880-S	PISTONE COMPL.+0,5 15LD350	1		
2	(B)		ED0065014890-S	PISTON +1	1		
3		(B)	ED0011600610-S	STOPRING	2		
4		(B)	ED0084800980-S	PISTON PIN 22x48	1		
5	A		ED0015262040-S	CONNECTING ROD STD	1		
5	(A)		ED0015262050-S	CONNECTING ROD -0,25	1		
5	(A)		ED0015262060-S	CONNECTING ROD 0,50	1		
6		(A)	ED0017701010-S	CONROD SCREW FL 8X1X42 R12	2		

8012150050 - FLYWHEEL



Pos	Kit	Included In	Code	Description	Qty	Old Code	Tech. Info
1	(B)		ED0098811970-S	VOLANO/FLYWHEEL D **	1		
2		(A) (B)	ED0028161020-S	RING GEAR	1		▲
3		(B)	ED0020020190-S	PLASTOFERRITE ROTOR X 15LD440	1		▲
4			ED0018000300-S	FLYWHEEL HEX BOLT M14X35	1		
5			ED0076260430-S	PL WASHER D40/14.5 9 THK	1		

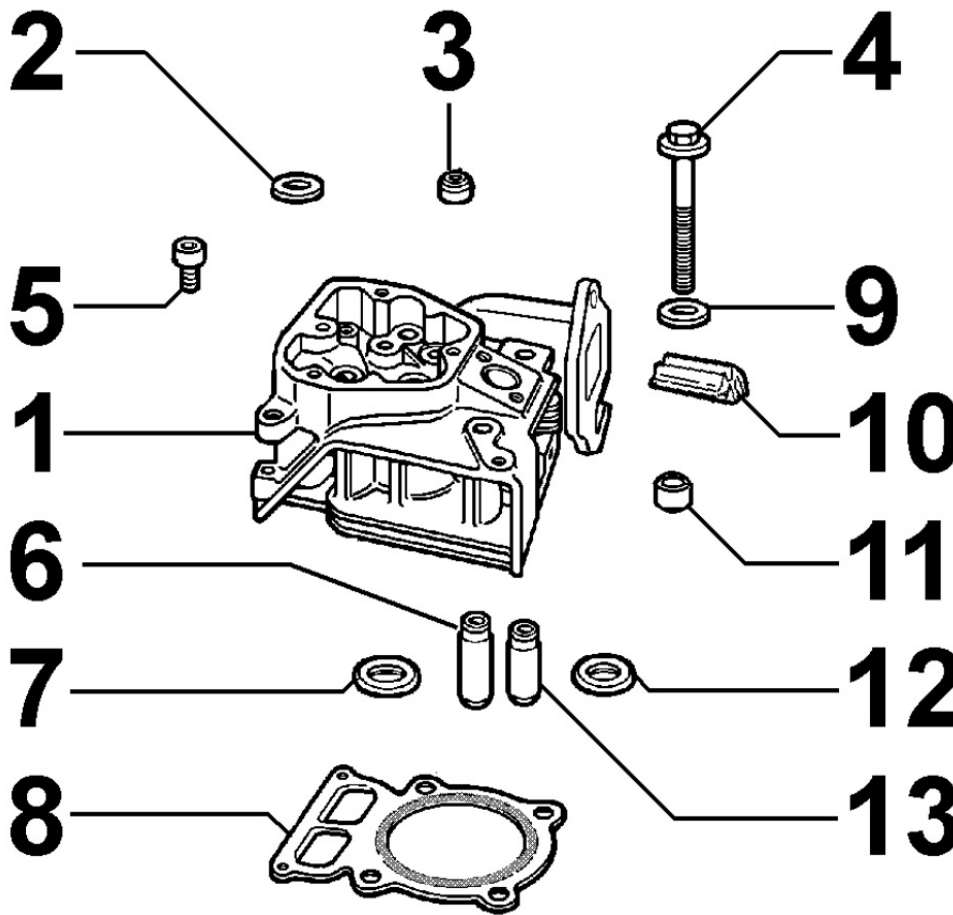
8020150070 - CRANKCASE



Pos	Kit	Included In	Code	Description	Qty	Old Code	Tech. Info
10			ED0015107840-S	CRANKCASE	1	ED0015109430-S	
17			ED0012135310-S	OIL SEAL 35X52X7 CONT	1		
19			ED0043500070-S	AL.WASHER D14.2x20x1	3		
20			ED0090400120-S	OIL DRAIN PLUG M14	1		
21			ED0030020580-S	BEARING	1		
32			ED0082051050-S	Gasket Gasket 15 Ld350	1		

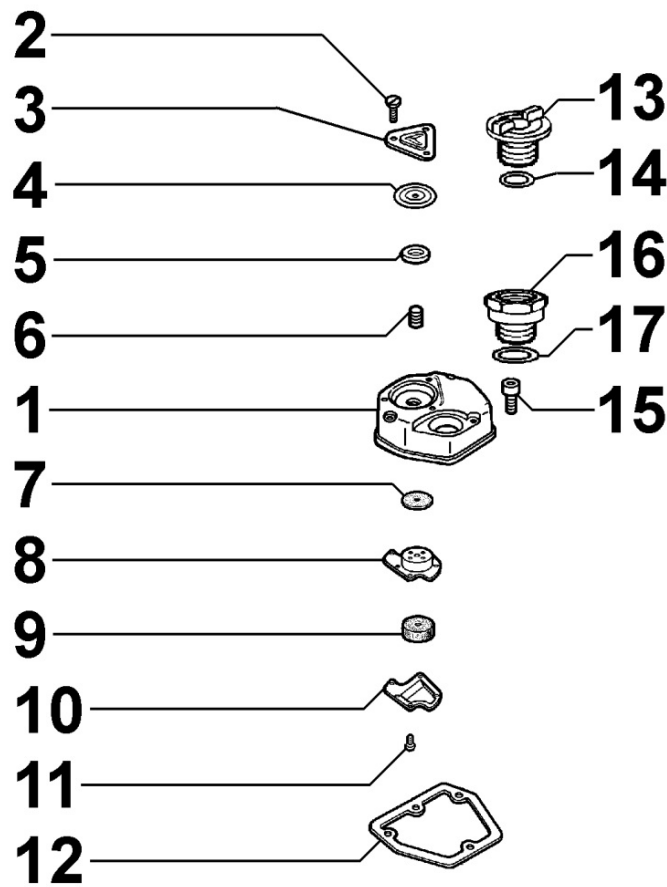


**8021150040 - CYLINDER HEAD**



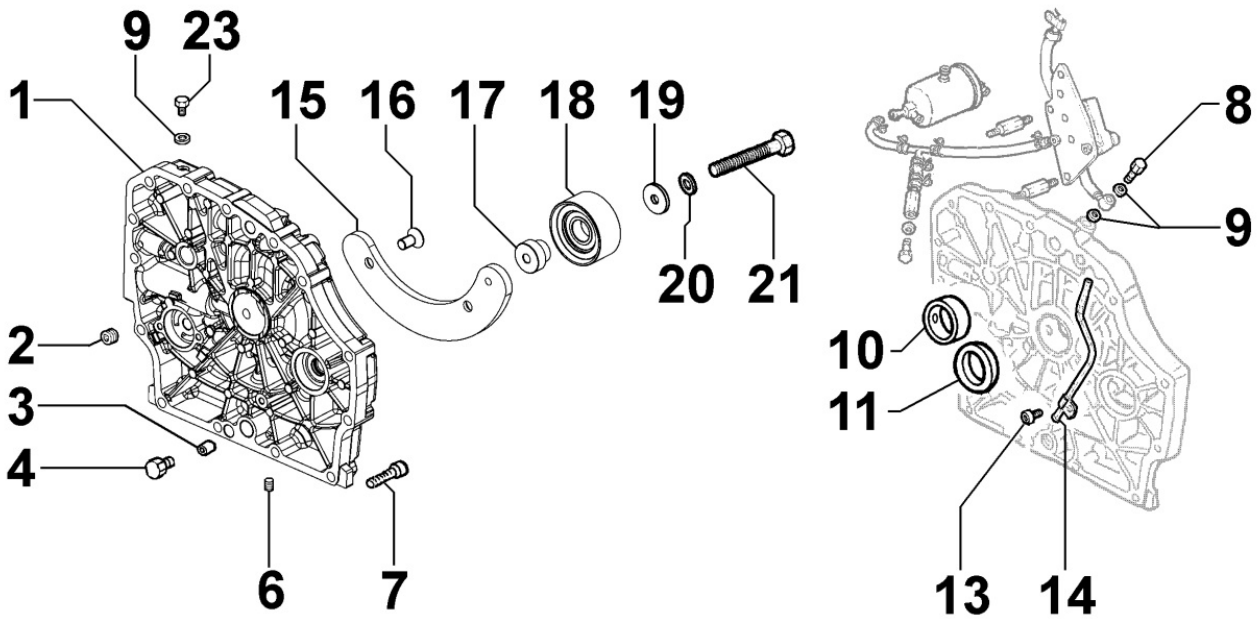
Pos	Kit	Included In	Code	Description	Qty	Old Code	Tech. Info
1	A		ED0092008510-S	CYLINDER HEAD	1		▲
2			ED0076250610-S	PLAIN WASHERS 8,4X16X3	1		
3			ED0045350150-S	VALVE STEM SEAL	2		
4			ED0018621460-S	BOLT	4		
5			ED0097320780-S	SOC HEAD CAP SCR M6X25 8.8	2		▲
6		(A)	ED0048452180-S	VALVE GUIDE INTAKE F	1		
7		(A)	ED0080001740-S	VALVE SEAT	1		
8			ED0047307350-S	HEAD GASKET 1mm	1		▲
8			ED0047307360-S	HEAD GASKET 1,1mm	1		▲
8			ED0047307370-S	HEAD GASKET	1		▲
8			ED0047307480-S	GASKET	1		▲
8			ED0047307490-S	GASKET	1		▲
8			ED0047307500-S	HEAD GASKET 15LD SP.1,2mm	1		▲
9			ED0076251300-S	WASHER D19/10.2 1.0 THK	4		
10			ED0047755550-S	GUARNIZIONE/GASKET 10	1		
11			ED0019701400-S	CYL DOWEL D13/11 15 LONG	2		
12		(A)	ED0080001750-S	VALVE SEAT	1		
13		(A)	ED0048452820-S	VALVE GUIDE EXHAUST	1		

**8022150060 - HEAD COVER**



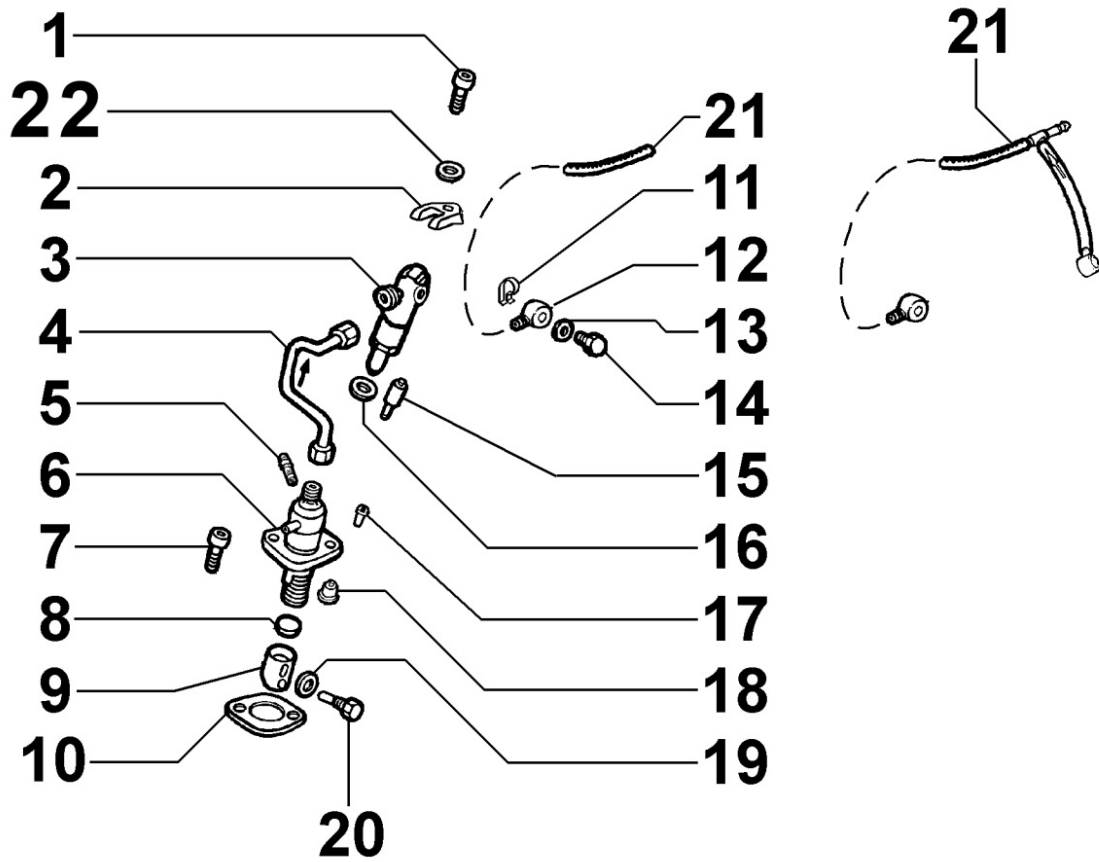
Pos	Kit	Included In	Code	Description	Qty	Old Code	Tech. Info
1	(A)		ED0021256600-S	CAPPELLO/COVER N	1		
2		(A)	ED0098201680-S	*PHL HEAD SCR D3.9X9.5L	3		
2		(A)	ED0098653200-S	THREAD FORMING SCREW M4X10 ZN	3		
3		(A)	ED0027503110-S	SAFETY VALVE COVER	1		
5		(A)	ED0076252700-S	LOCKING WASHER	1		
6		(A)	ED0057551280-S	SPRING ROCK ARM COVER	1		
7		(A)	ED0096950220-S	VALVE 15LD -40°	1		
8		(A)		POS. 1			
9		(A)	ED0059760040-S	BRAID FILTER	1		
10		(A)	ED0051400230-S	PLATE FOR LOCKING	1		
11		(A)	ED0098653210-S	THEAD FORMING M3,5X6TC CRS ZNB	5		
12			ED0044000970-S	ROKER ARMS CAP GASKET	1		
13			ED0090321190-S	OIL REFILLING CAP YELLOW	1		
14			ED0012000820-S	O-RING D31.89/26.50 2.62 THK	1		
15			ED0097320160-S	SOC HEAD CAP SCR M6X40L 8.8	3		

**8024150010 - TIMING GEAR SIDE SUPPORT**



Pos	Kit	Included In	Code	Description	Qty	Old Code	Tech. Info
1	A		ED0066459210-S	MACH. COVER COMPL. WITH PLUG	1		
3			ED0019703380-S	CYL. DOWEL D11/8 18 LONG	2		
6		(A)	ED0097651620-S	VITE STEI 10X1 CONICA DI	1		
7			ED0097300310-S	SOC HEAD CAP SCR M8X40L 1	14		
9			ED0046700590-S	COPPER WASHER D14/10.2 1.	1		
10			ED0016111800-S	Bearing 0.25 For 15Ld350	1		
10			ED0016111810-S	BEAR.-0.50	1		
10			ED0016111860-S	BEAR.-1.00	1		
10		(A)	ED0016111850-S	BEAR.STAND.	1		
11			ED0012133450-S	SEAL RING	1		
22			ED0089650480-S	HEX PLUG M10X1 F.ZN12I	1		

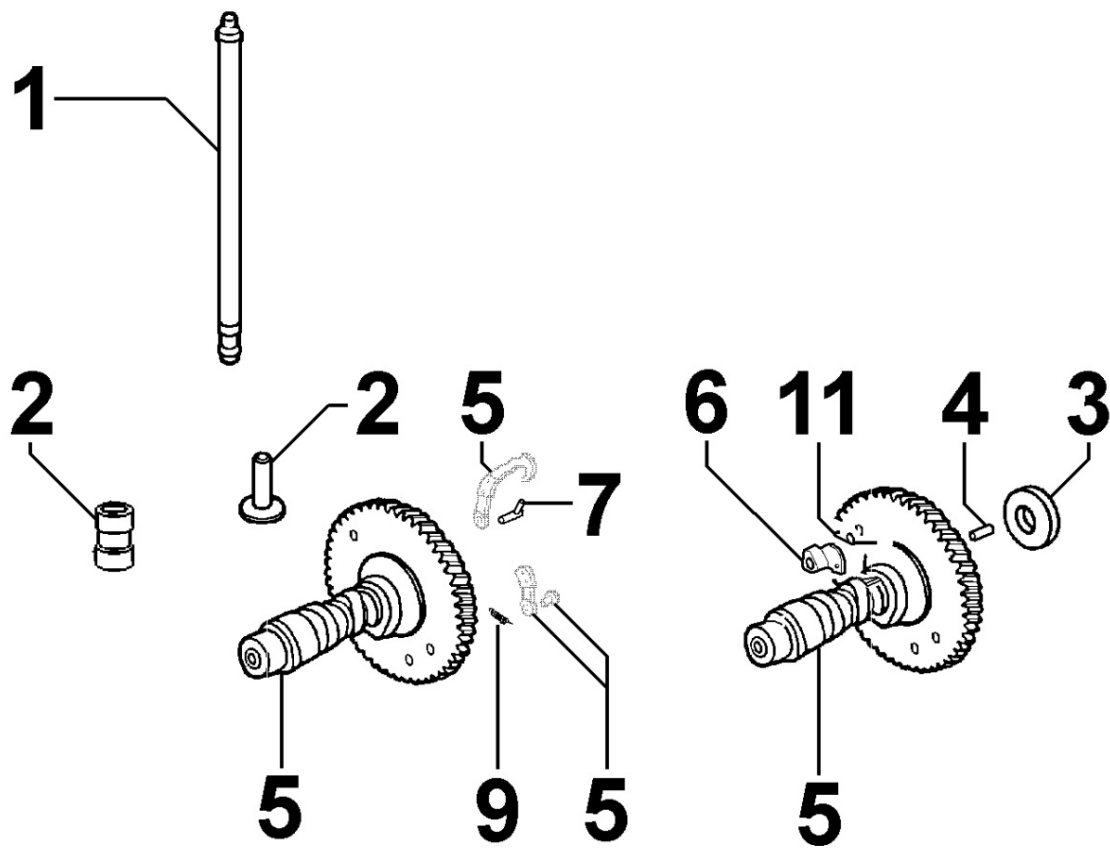
8030150380 - INJECTION SYSTEM



Pos	Kit	Included In	Code	Description	Qty	Old Code	Tech. Info
1			ED0097320780-S	SOC HEAD CAP SCR M6X25 8.8	1		
2			ED0085460790-S	INJECTOR SUPPORT BRACKET	1		
3	(A)		ED0050100430-S	INJECTOR COMPLETE	1		
4			ED0093758070-S	FUEL TUBE	1		
5			ED0072600420-S	UNION	1		
6	(B)		ED0065902590-S	INJ.PUMP	1		
7			ED0097303010-S	SOC HEAD CAP SCR M6X20L STEEL	2		
8			ED0060001130-S	SHIM 4.0MM	1		
8			ED0060001140-S	SHIM 4.1MM	1		
8			ED0060001150-S	SHIM 4.2MM	1		
8			ED0060001160-S	SHIM 4.3MM	1		
8			ED0060001170-S	SHIM 4.4MM	1		
8			ED0060001180-S	SHIM 4.5MM	1		
8			ED0060001190-S	SHIM 4.6MM	1		
8			ED0060001200-S	SHIM 4.7MM	1		
8			ED0060001210-S	SHIM 4.8MM	1		
8			ED0060001220-S	SHIM 4.9MM	1		
8			ED0060001290-S	SHIM 5.0	1		
8			ED0060001300-S	SHIM 5.1MM	1		
9			ED0072151330-S	ROLLER TAPPET 15LD400	1		
10			ED0045801800-S	GUARNIZIONE/GASKET S	1		
11			ED0036300500-S	CLAMP TYPE CLIC D.9-11 55	1		
12			ED0072701080-S	BANJO D.6	1		
13			ED0046700620-S	COPPER WASHER D10/6.2 1.5 THK	2		
14			ED0072600530-S	SCREW NIPPLE	1		
15		(A)	ED0065314470-S	NOZZLE	1		

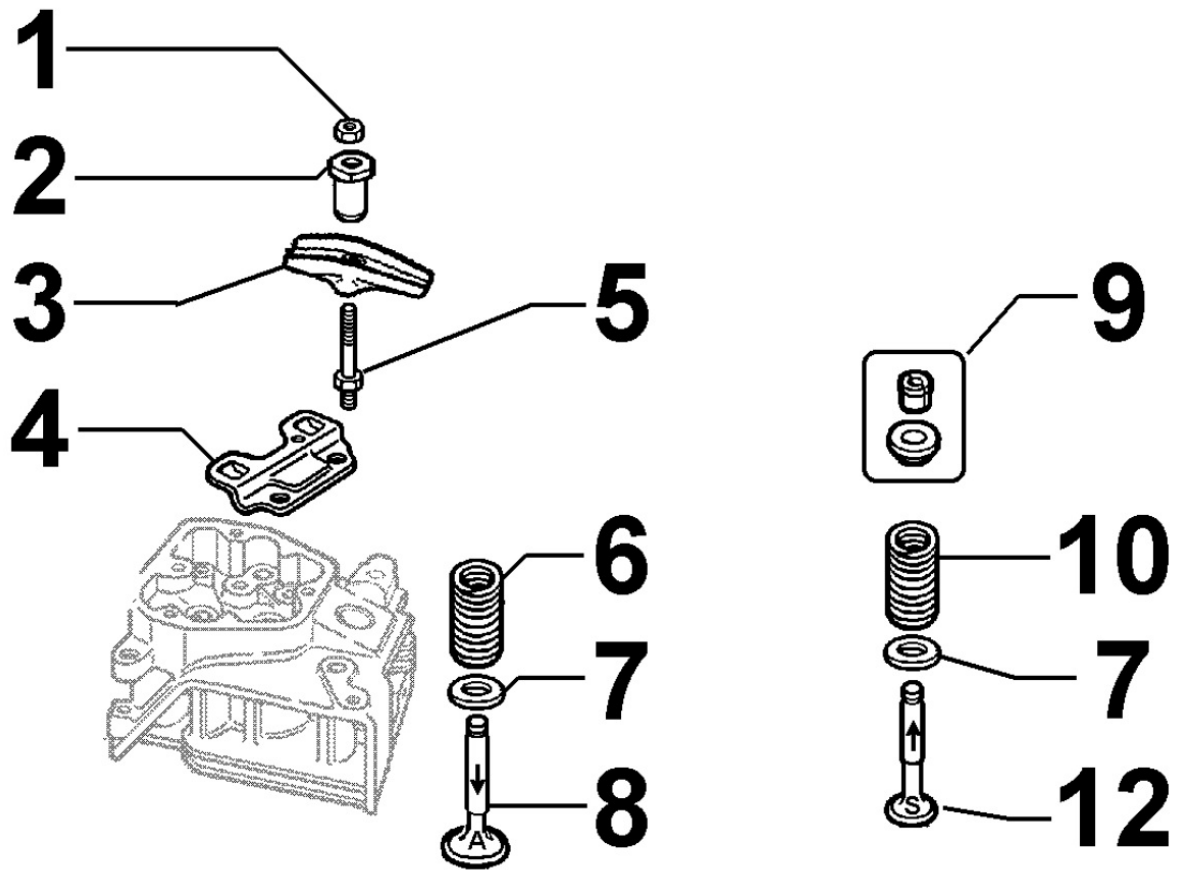
Pos	Kit	Included In	Code	Description	Qty	Old Code	Tech. Info
16			ED0046700990-S	COPPER WASHER D16/7.5 1.0 THK	1		
17		(B)	ED0074700180-S	FILLER	1		
18		(B)	ED0096721160-S	VALV.MAND./DELI.VALVE,SV C	1		
19			ED0076253030-S	PL. WASHER D10/6.5 1.5 THK	1		
20			ED0098652210-S	VITE/SCREW D	1		
21			ED0093762300-S	FUEL TUBE TPR-PUR 5X10XL.500	1		
21			ED0093758720-S	FUEL HOSE 250MM (FOR SEC FILTER TO	1		

8035150010 - CAMSHAFT



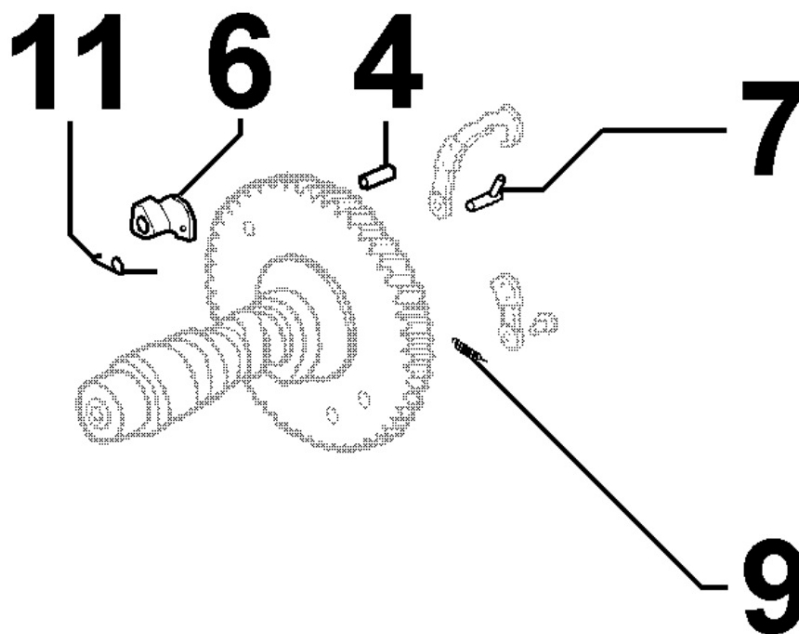
Pos	Kit	Included In	Code	Description	Qty	Old Code	Tech. Info
1			ED0014101670-S	PUSH ROD	2		
2			ED0072151370-S	TAPPET	2		⚠
3			ED0013012450-S	PL. WASHER D28/16 0.5 TH	1		
4		(A)	803715...0				
5	(A)		ED0010113600-S	CAMSHAFT	1		⚠
6		(A)	803715...0				
7		(A)	803715...0		1		
9		(A)	803715...0		1		
11		(A)	803715...0		1		

8036150010 - ROCKER ARMS / VALVES



Pos	Kit	Included In	Code	Description	Qty	Old Code	Tech. Info
1			ED0032401610-S	LOCK NUT FOR ROCKER ARM	2		
2			ED0033002650-S	ROCKER ARM ADJUSTMENT NUT	2		▲
3			ED0015411760-S	ROCKER ARM FOR MECH. TAP	2		
4			ED0051511000-S	RETAINER	1		
5			ED0098501160-S	ADJ.SCREW	2		
7			ED0034301140-S	LOWER CUP	2		
8			ED0096521300-S	INTAKE VALVE	1		
9			ED0064101360-S	CUP COLLET SET 15LD400	2		
10			ED0057551170-S	SPRING 15LD 315	2		
12			ED0096851330-S	EXH.VALVE	1		

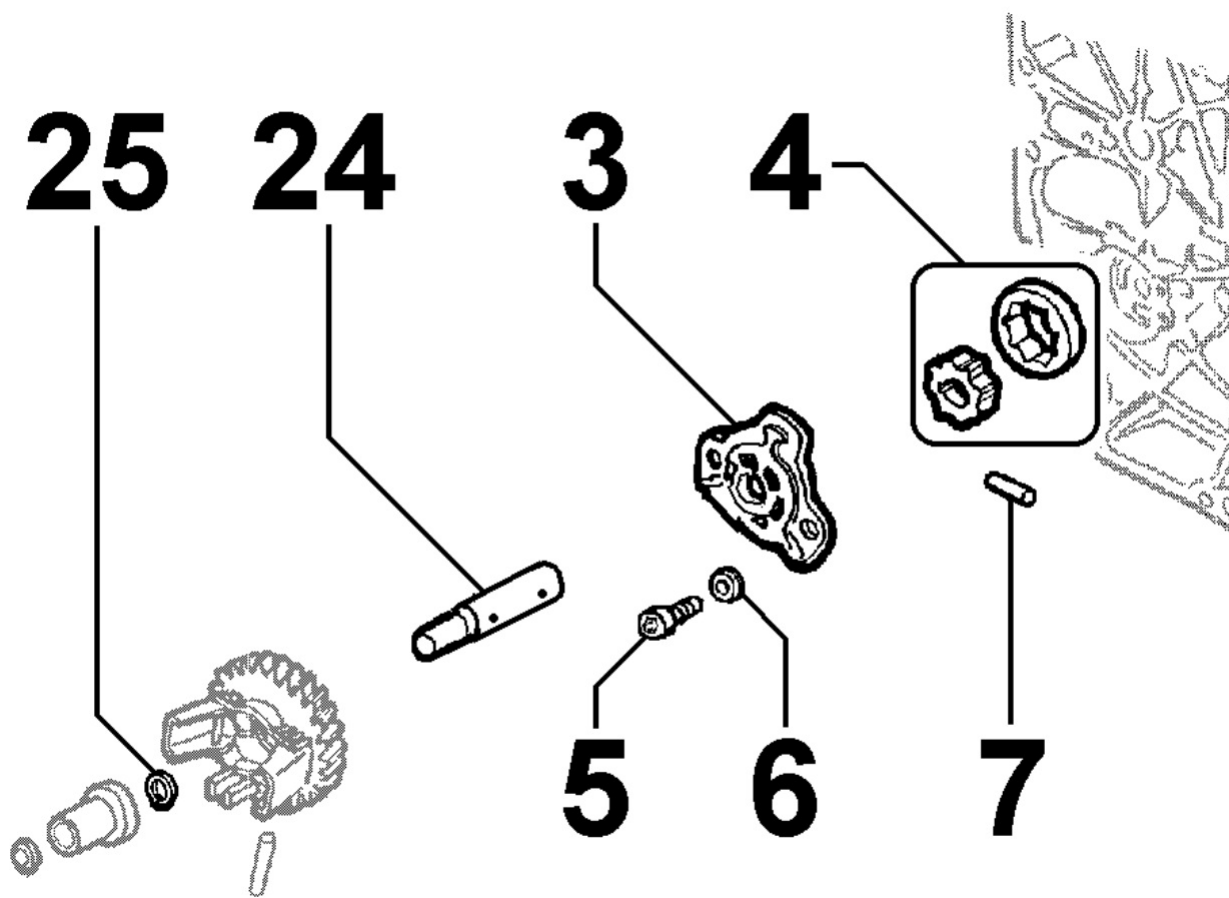
8037150010 - COMPRESSION RELEASE



Pos	Kit	Included In	Code	Description	Qty	Old Code	Tech. Info
7			ED0010150630-S	SHAFT	1		
9			ED0056600640-S	SPRING	1		

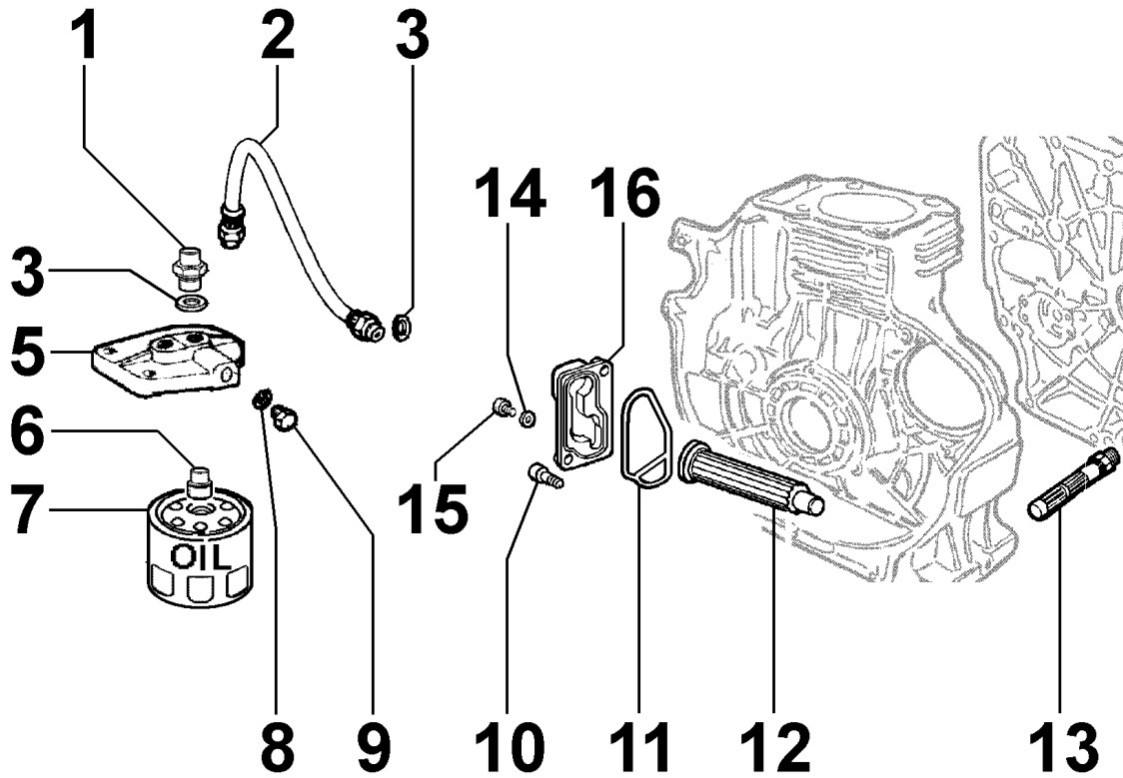


8040150010 - OIL PUMP



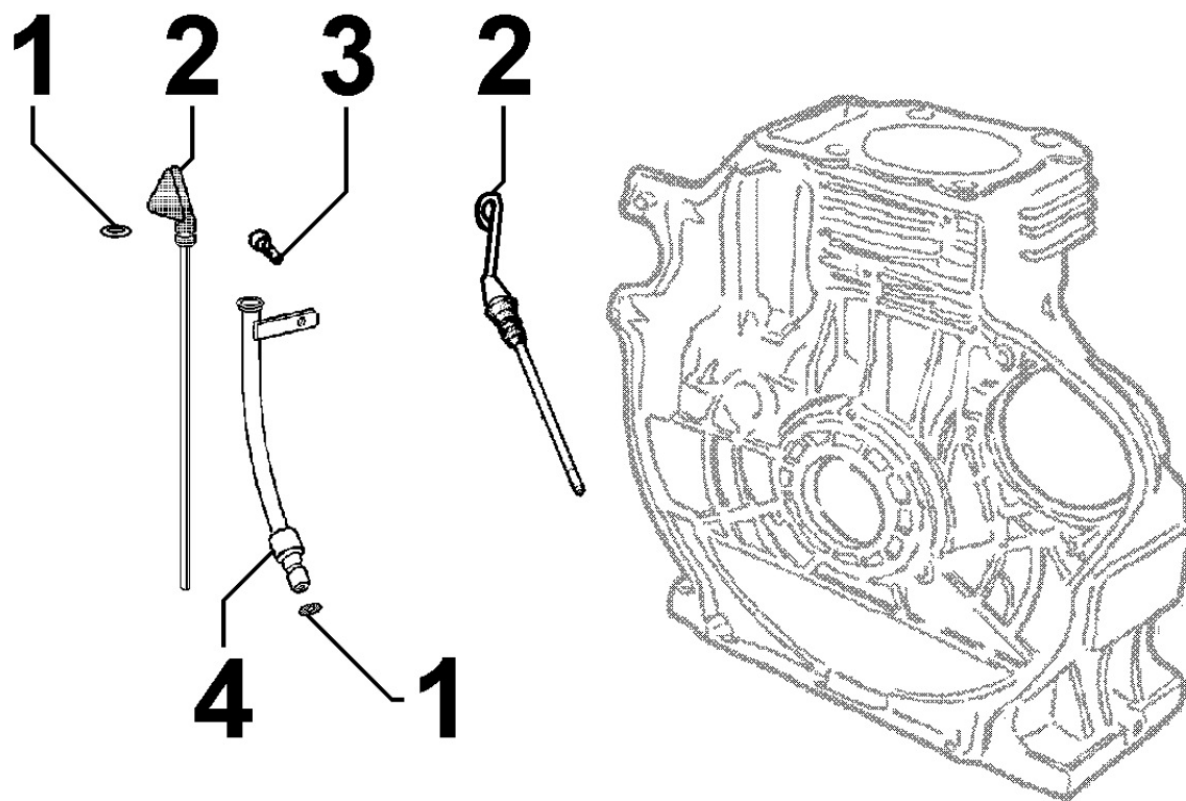
Pos	Kit	Included In	Code	Description	Qty	Old Code	Tech. Info
3			ED0088362100-S	SUPPORT OIL PUMP CAP	1		
4			ED0066050900-S	POMPA OLIO/OIL PUMP F	1		
5			ED0097300100-S	SOC HEAD CAP SCR M6X16L STEEL	2		
6			ED0075550040-S	*BEL WASHER D11/6.4 0.5 TH	2		
7			ED0077701720-S	CYL. PIN D3X15.8L	1		
24			ED0011112250-S	OIL PUMP SHAFT	1		⚠
25			ED0012400040-S	EXT. CIRCLIP D10/9.6 1.0 THK	1		

8042150030 - OIL FILTER



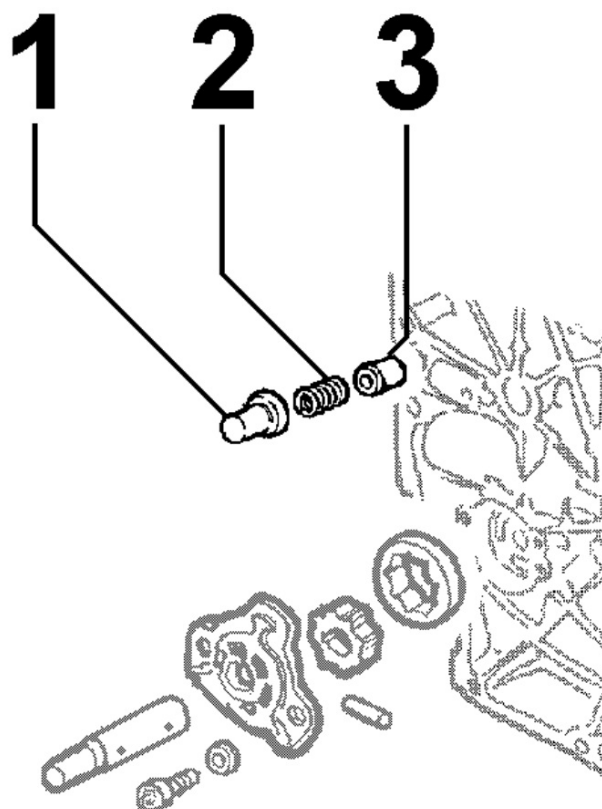
Pos	Kit	Included In	Code	Description	Qty	Old Code	Tech. Info
10			ED0097303010-S	SOC HEAD CAP SCR M6X20L STEEL	2		
11			ED0012002340-S	O-RING D57.26/53.70 1.78 THK	1		
12			ED0021751550-S	OIL FILTER CARTRIDGE	1	ED0021751290-S	
13			ED00395R0150-S	OIL FILTER RY	1		
16	(A)		ED0092201020-S	HEAD	1	ED0092200960-S	

8043150010 - OIL DIPSTICK



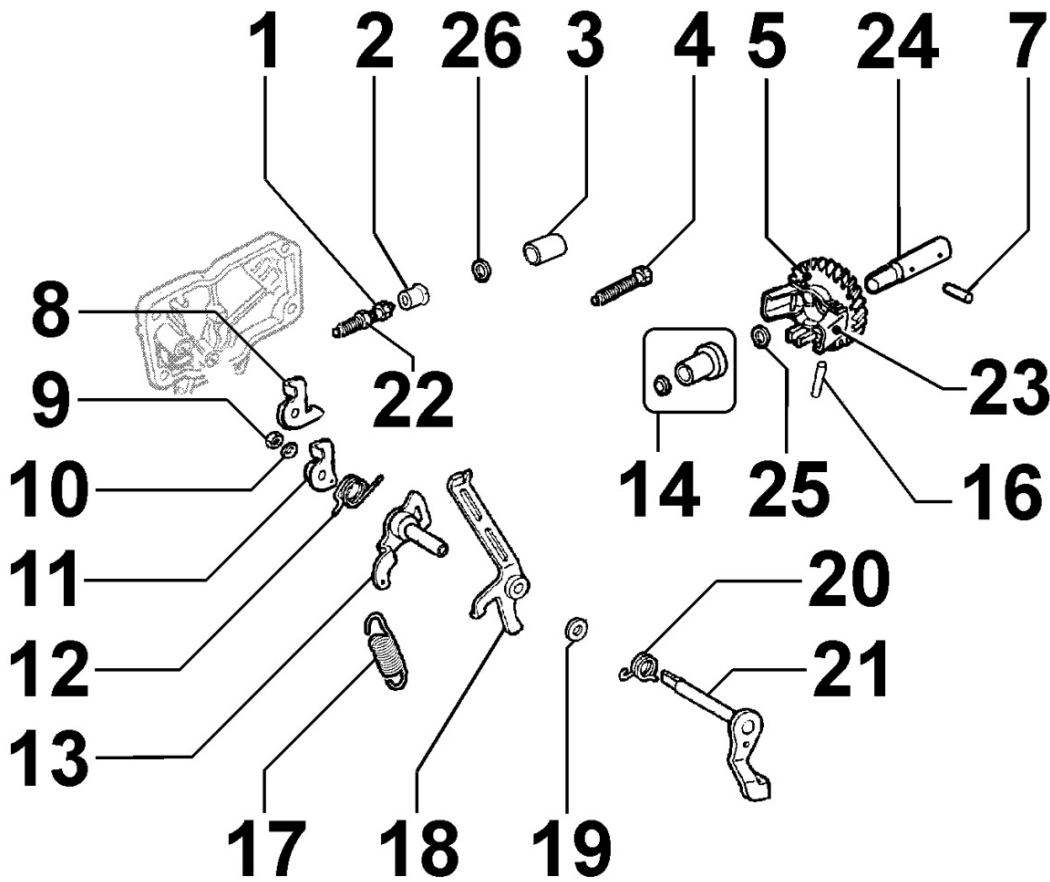
Pos	Kit	Included In	Code	Description	Qty	Old Code	Tech. Info
2			ED0014002320-S	DIPSTICK	1		

8044150010 - OIL PRESSURE VALVE



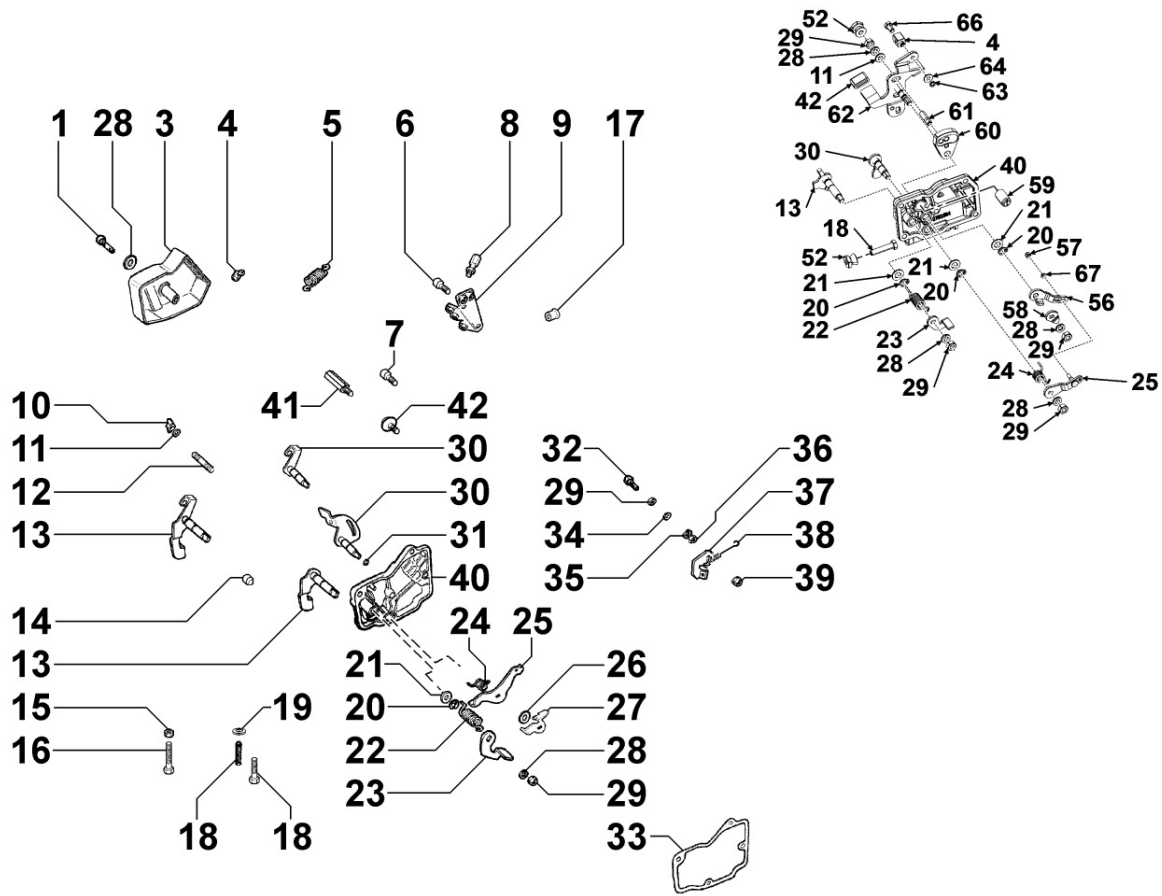
Pos	Kit	Included In	Code	Description	Qty	Old Code	Tech. Info
1			ED0090150080-S	PRESSURE VALVE PLUG	1		
2			ED0056250080-S	BY PASS SPRING	1		
3			ED0064950560-S	DRIVE ROD	1		

**8050150200 - SPEED GOVERNOR**



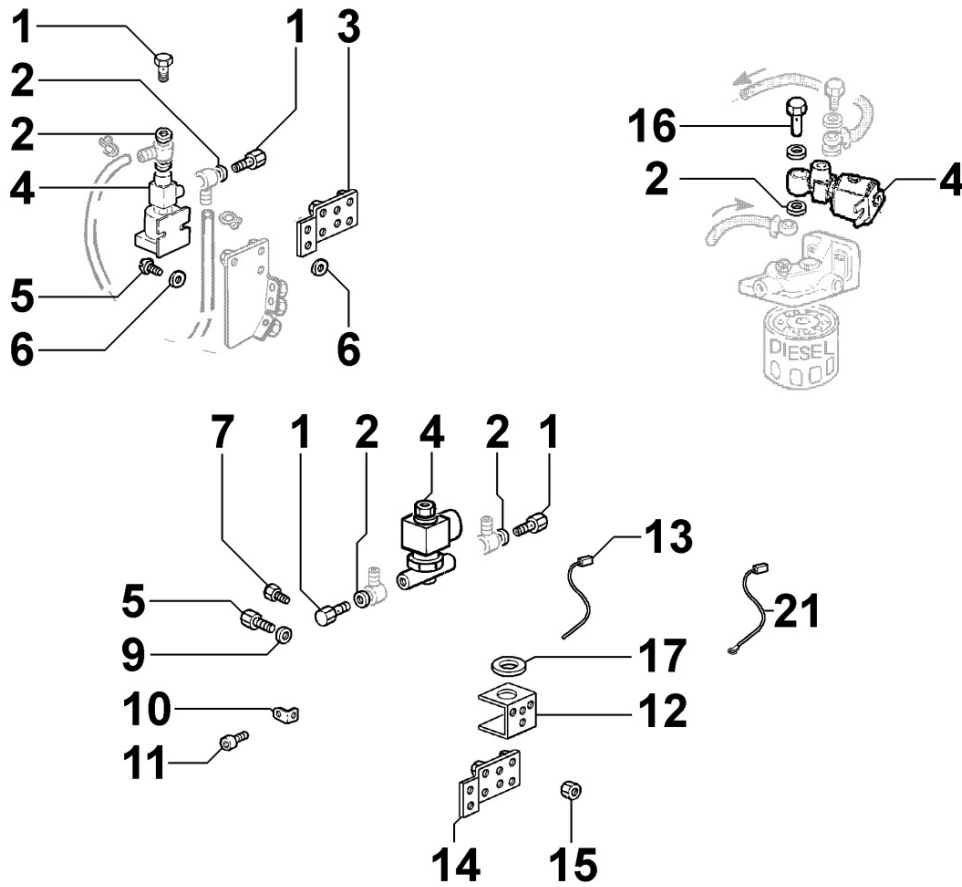
Pos	Kit	Included In	Code	Description	Qty	Old Code	Tech. Info
1			ED0085761140-S	SUPPLEMENTO/SUPPLEMENT.	1		
5	(B)		ED0048964340-S	GOV.ASS.Y	1		⚠
7		(B)	ED0077701720-S	CYL. PIN D3X15.8L	1		
9			ED0032400080-S	NUT M6-CI.8 type 1-ISO	1		
10			ED0075650040-S	SPRING WASHER D11.1/6.1 1.3 TH	1		
11			ED0052011100-S	LEVA/LEVER D 10	1		⚠
12			ED0058015340-S	SPRING FOR 15LD 315	1		
13			ED0052012690-S	LEVA/LEVER	1		
14		(B)	ED0072002760-S	PUNTALINO/DRIVE ROD N	1	ED0072002750-S	⚠
16		(B)	ED0077701710-S	CYL. PIN D3X27.8L	2		
17			ED0056551910-S	MOLLA REGOLAT. "A" 3000 G/1	1		
18			ED0052008720-S	LEVA/LEVER D	1		
19			ED0076251050-S	PL. WASHER D15/8.2 0.5 THK STE	1		
20			ED0056000400-S	SPRING	1		
21			ED0052011090-S	LEVA/LEVER S IC	1		⚠
22			ED0032400630-S	HEX.NUT	1		
23				Pos. 5			
24		(B)		804015...0	1		
25		(B)		804015...0	1		

8051150440 - CONTROLS



Pos	Kit	Included In	Code	Description	Qty	Old Code	Tech. Info
6			ED0097300120-S	SOC HEAD CAP SCR M6X20L STEEL	4		
6			ED0097300080-S	SCREW 6X10-5931-8.8+Zn.B	2		
9			ED0085101430-S	AN.BRACKET	1		
15			ED0032401530-S	NUT M 6X1 SEAL LOCK	2		
16			ED0017600270-S	HEX BOLT M6X40L STEEL 8.	2		
20		(A)	ED0012400020-S	EXT. CIRCLIP D8/7.6 0.8	2		
21		(A)	ED0076251050-S	PL. WASHER D15/8.2 0.5 THK STE	2		
22		(A)	ED0056000390-S	SPRING STOP LEVER 15LD	1		
24		(A)	ED0056000380-S	SPRING ACC. LEVER 15LD	1		
28		(A)	ED0075650040-S	SPRING WASHER D11.1/6.1 1.3 TH	2		
29		(A)	ED0032400080-S	NUT M6-CI.8 type 1-ISO	2		
31		(A)	ED0012000410-S	O-RING D8.04/4.48 1.78 T	2		
33			ED0044311990-S	GASKET FOR CONTROL COVER	1		
40	(A)		ED0027505660-S	CONTROL COVER	1		

8052150160 - ELECTROVALVE

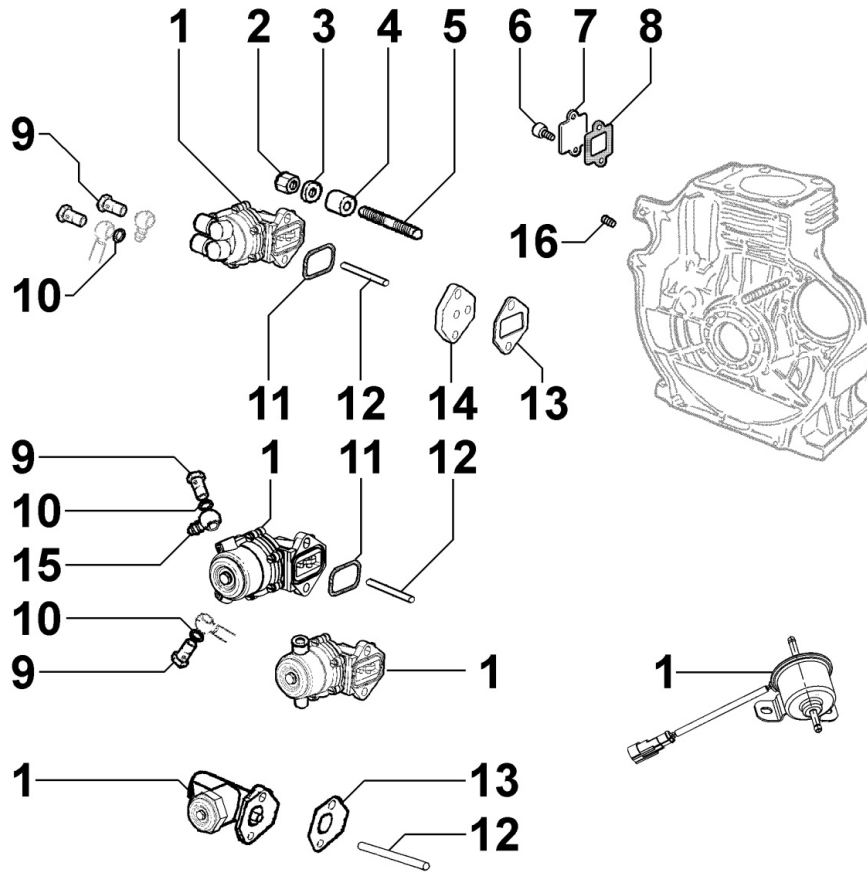


Pos	Kit	Included In	Code	Description	Qty	Old Code	Tech. Info
1			ED0019011670-S	SPECIAL SCREW 10X13587/159	2		
2			ED0046700590-S	COPPER WASHER D14/10.2 1.	4		
4			ED0035871820-S	ELET.721BZ 12V NC 2F RM	1		
5			ED0097320840-S	SOC HEAD SCR M6X12L UNI5931 ST	2		
7			ED0097303190-S	SCREW TBEI 6X12 8.8- 7380+ZNB	2		
9			ED0076250070-S	WASHER D12/6 1 THK	2		
14			ED0085101490-S	MOUNTING BRACKET SOLENOID	1		
15			ED0032400080-S	NUT M6-CI.8 type 1-ISO	2		
21			ED0021854940-S	CAVO DI MASSA PER DISPOSITIVO ARR.AUTOMA	1		



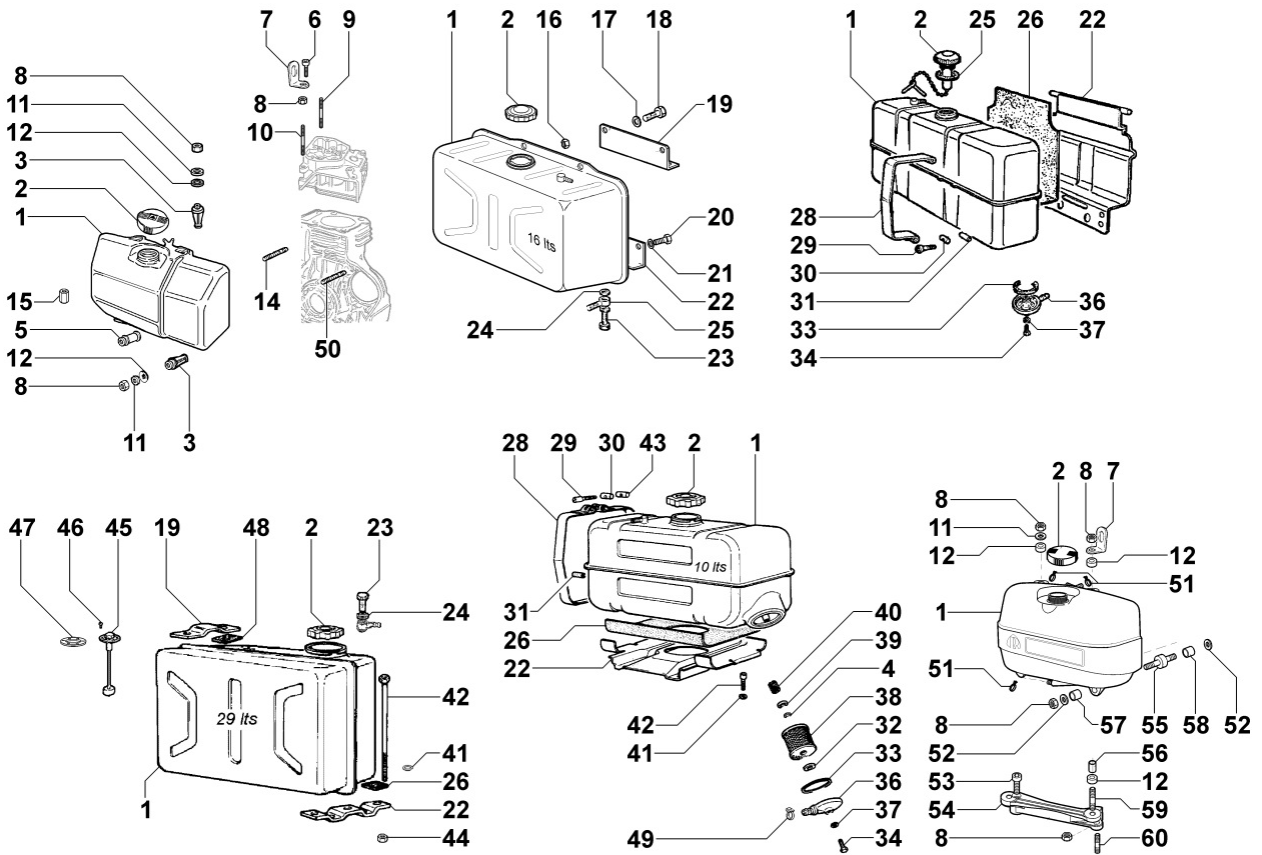


8062150010 - FUEL FEED PUMP



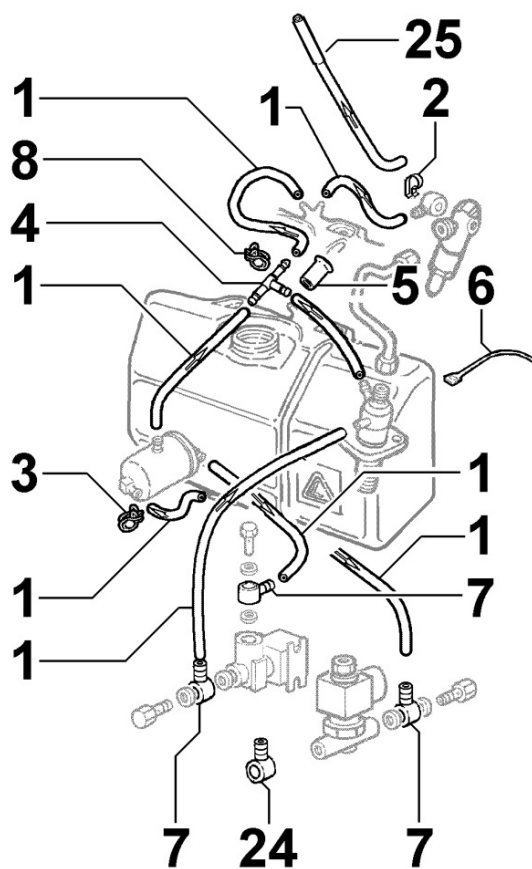
Pos	Kit	Included In	Code	Description	Qty	Old Code	Tech. Info
16			ED0090802700-S	CONICAL CAP M8X1.25	3		

8063150020 - FUEL TANK



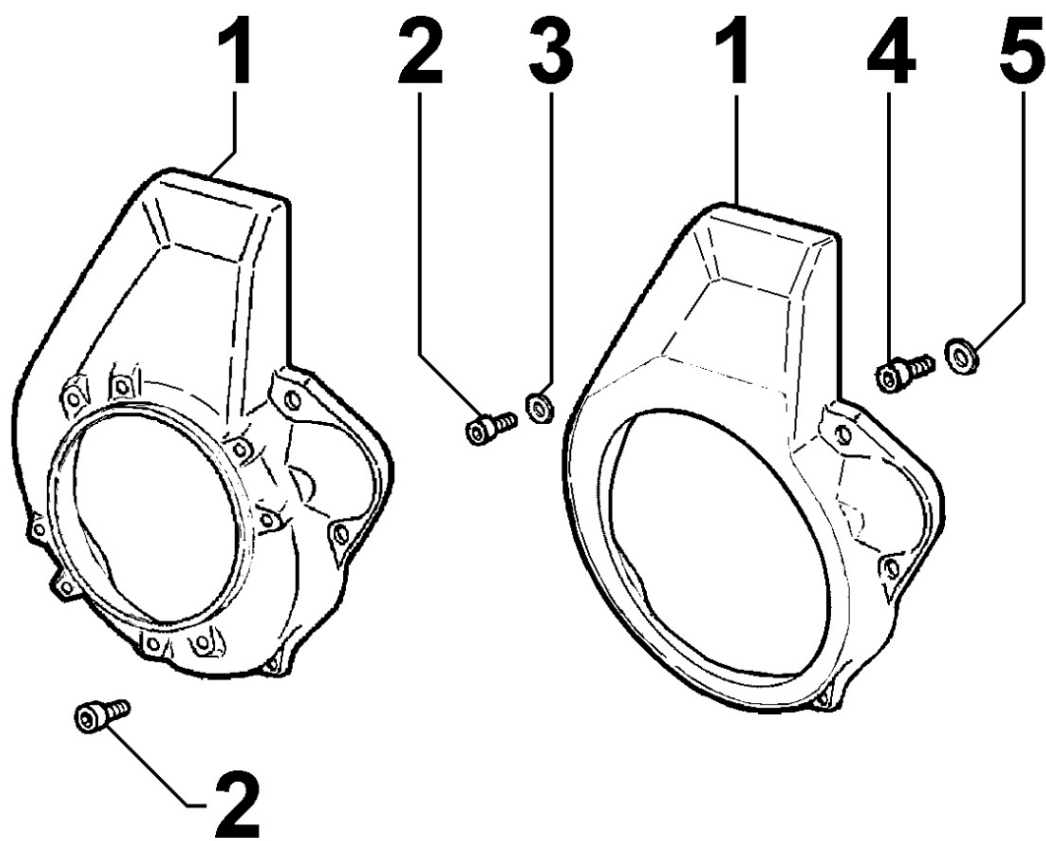
Pos	Kit	Included In	Code	Description	Qty	Old Code	Tech. Info
6			ED0097300240-S	SOC HEAD CAP SCR M8X16L 1.25P	2		
7			ED0085060030-S	LIFTING HOOK	1		

8064150100 - FUEL LINES



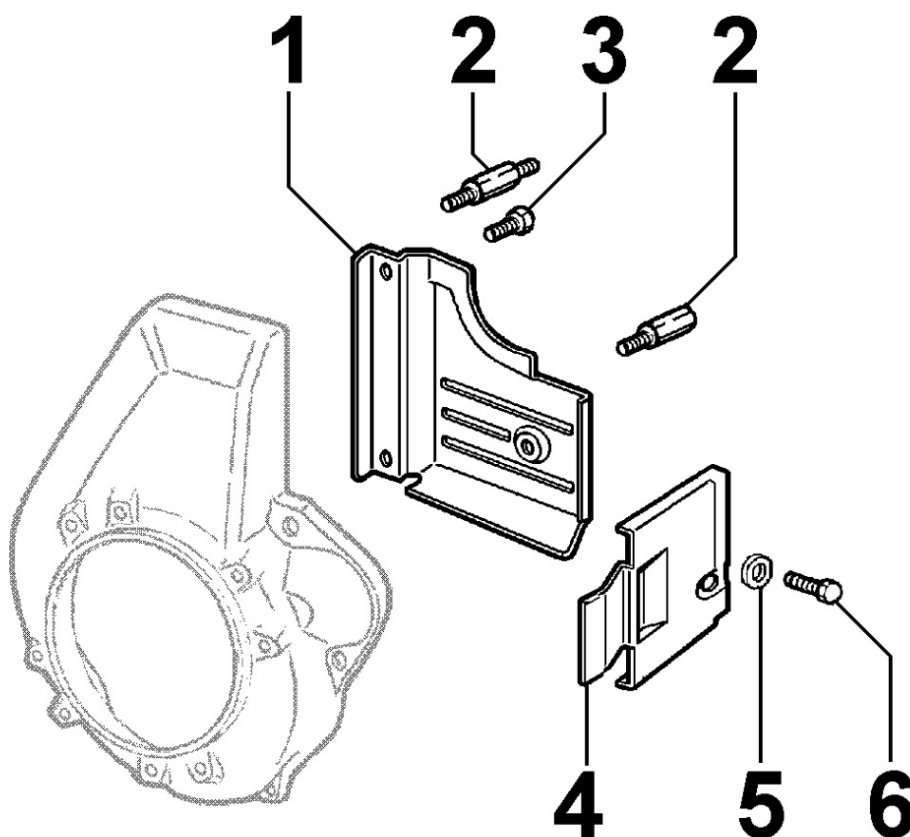
Pos	Kit	Included In	Code	Description	Qty	Old Code	Tech. Info
1			ED0093758720-S	FUEL HOSE 250MM (FOR SEC FILTER TO	1		
1			ED0093762300-S	FUEL TUBE TPR-PUR 5X10XL.500	1-6		
3			ED0036301630-S	CLAMP	2		
4			ED0073010520-S	METAL T CONNECTOR	1		
5			ED0021450380-S	RUBBER CAP FOR ADJ BANJO- 4MM	1		
6			ED0024710060-S	NYLON COLLAR	1		

8070150100 - AIR SHROUD



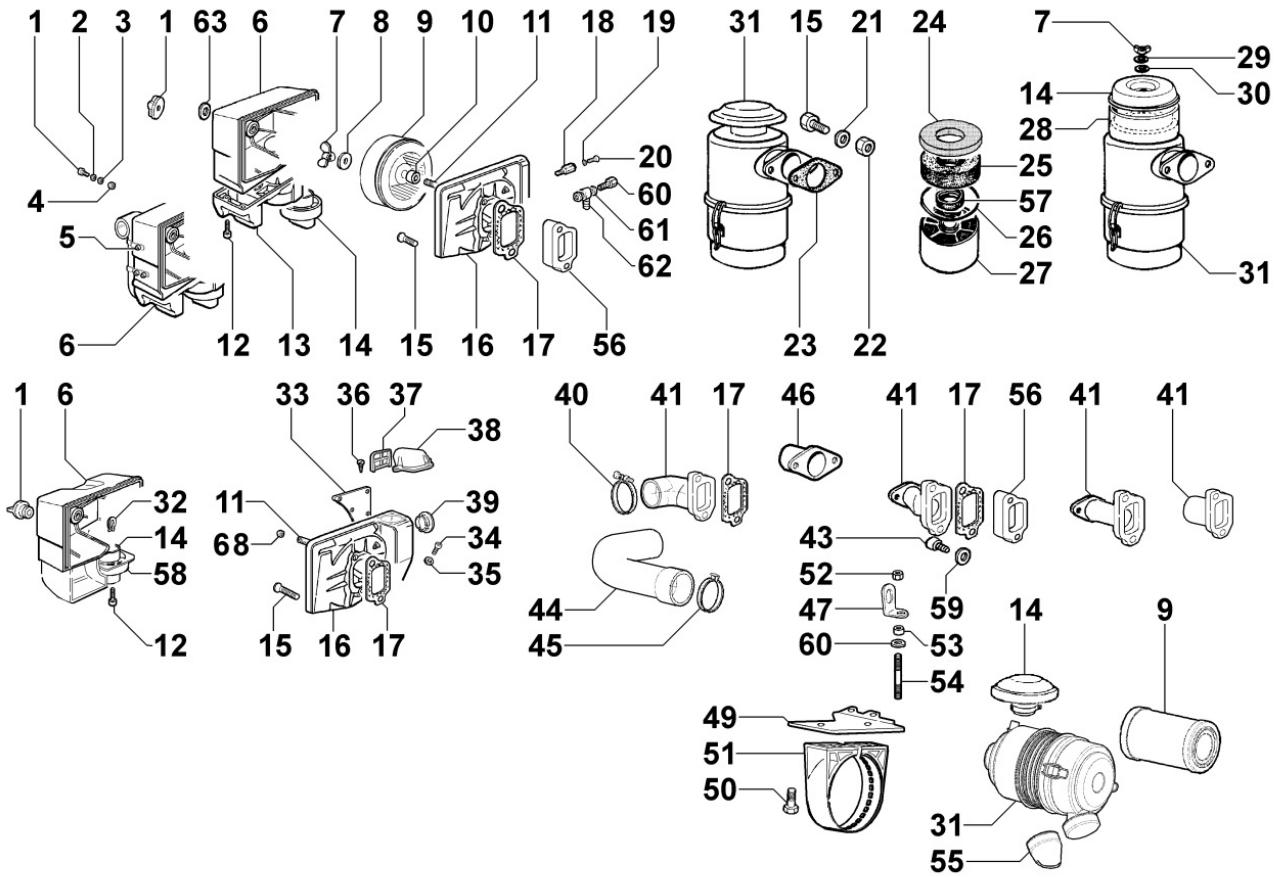
Pos	Kit	Included In	Code	Description	Qty	Old Code	Tech. Info
1			ED0025697600-S	AIR CONVEYOR COMPLETE BLACK	1		
2			ED0097320840-S	SOC HEAD SCR M6X12L UNI5931 ST	5		

**8072150070 - COOLING PLATES**



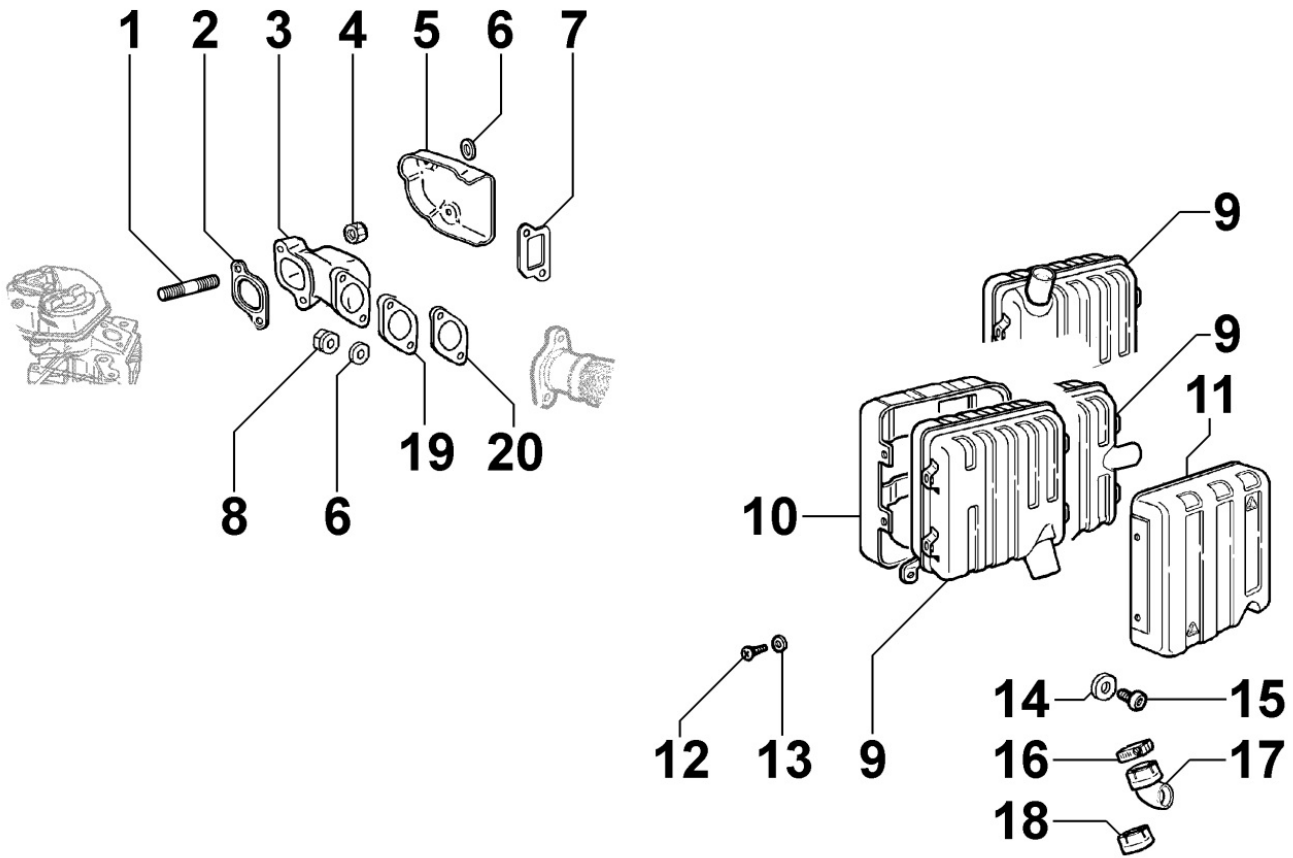
Pos	Kit	Included In	Code	Description	Qty	Old Code	Tech. Info
1			ED0050664060-S	LAMIERA/PANEL N	1		
3			ED0098651220-S	VITE/SCREW	1		
4			ED0050663110-S	PANEL	1		
5			ED0075550040-S	*BEL WASHER D11/6.4 0.5 TH	3		
6			ED0097900370-S	VITE/SCREW	3		

8081150060 - AIR FILTER



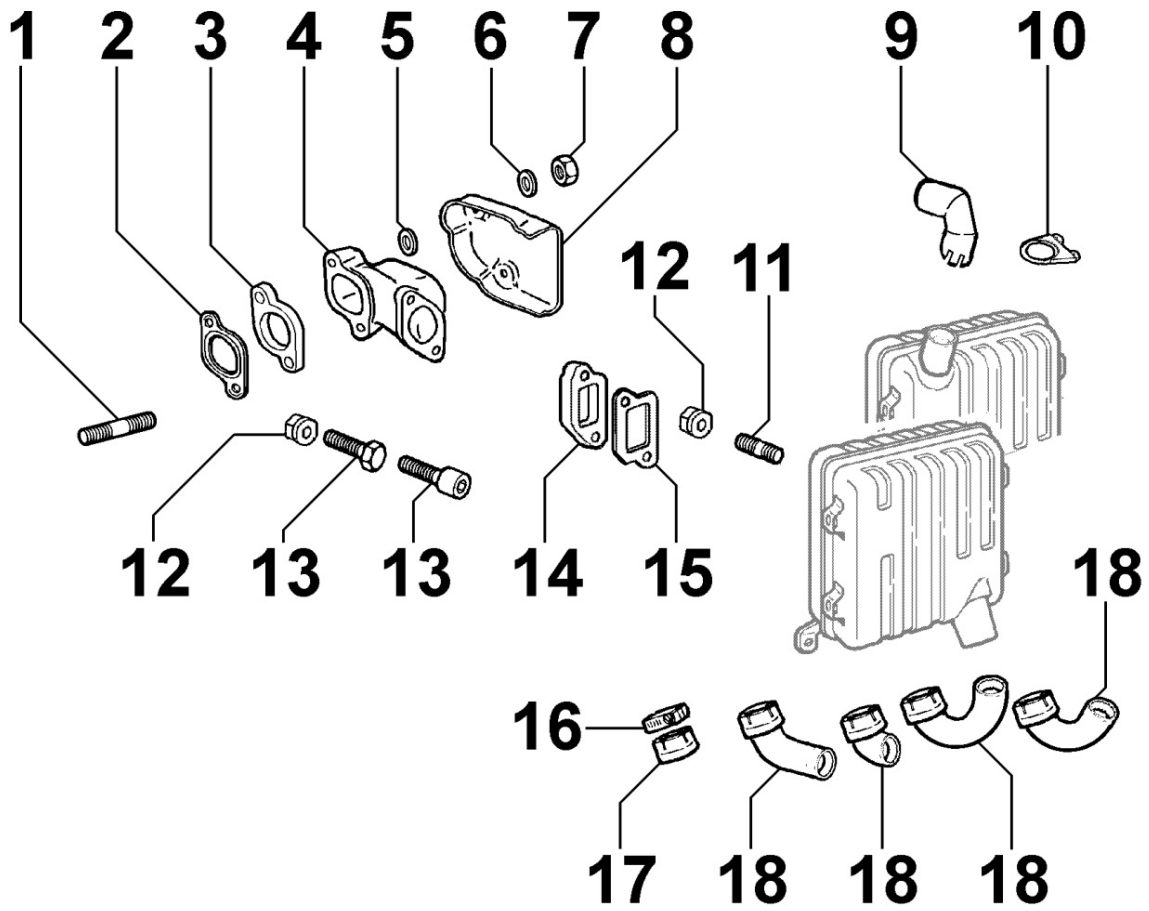
Pos	Kit	Included In	Code	Description	Qty	Old Code	Tech. Info
1			ED0065600400-S	AIR FILTER COVER KNOB	1		
6			ED0027503970-S	RELEASE CONTROL COVER 15LD225	1		
8			ED0076260510-S	PLAIN WASHERS 6X20X2	1		
9			ED0021752540-S	CARTRIDGE AIR FILTER DRY	1	ED0021752210-S	
10			ED0044900010-S	GASKET ON AIR FILTER BODY	1		
11			ED0067601110-S	SCREW STUD M6X42	1		
13		(A)		Pos. 6			
15			ED0098001120-S	BOLT	2		
16			ED0088362280-S	AIR FILTER SUPPORT 15LD315	1		
17			ED0044900930-S	GASKET for AIR INLET FLANGE	1		

8086150360 - EXHAUST LINE



Pos	Kit	Included In	Code	Description	Qty	Old Code	Tech. Info
1			ED0067800450-S	STUD	2		
5			ED0069273700-S	GUARD	1		
6			ED0044800030-S	PAPER WASHER FOR EXHAUST MANIFOLD	4		
7			ED0045011480-S	EXHAUST GASKET	1		
8		(B)	ED0032401650-S	FLG NUT M8 COPPER PLATED	4		
9	(A)		ED0054605860-S	MUFFLER	1		
9		(A)	ED0054605850-S	DISCHA. MUFFL. 225/315/350 WITHOUT GUARD	1		
10		(A)	ED0069273680-S	GUARD	1		
11		(A)	ED0069273690-S	§PROT.MARM.NERA LAT.USCIT.GR15 BLACK MUF	1		
12		(A)	ED0097900370-S	VITE/SCREW	4		
13		(A)	ED0075550270-S	X5 CR.NI1810 AISI3	4		
14			ED0075000200-S	PLAIN WASHERS 8,4X20X6	1		
15			ED0097301180-S	*SCREW M8x22 UNI5931-8.8+Z	1		

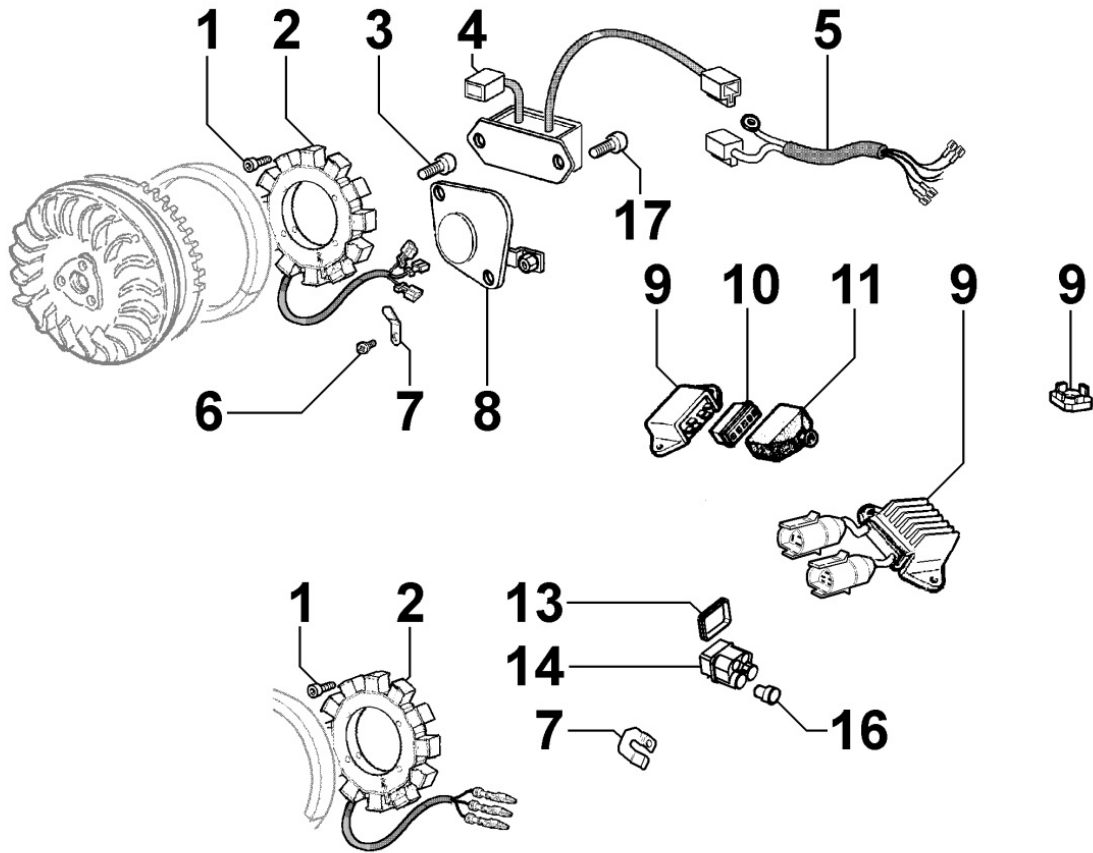
8087150020 - EXHAUST GAS ACCESSORIES



Pos	Kit	Included In	Code	Description	Qty	Old Code	Tech. Info
16			ED0036301940-S	CLAMP DIN3017-D20-32A AP	1		
18			ED0091701270-S	TERMINALE SCARICO 15LD	1		

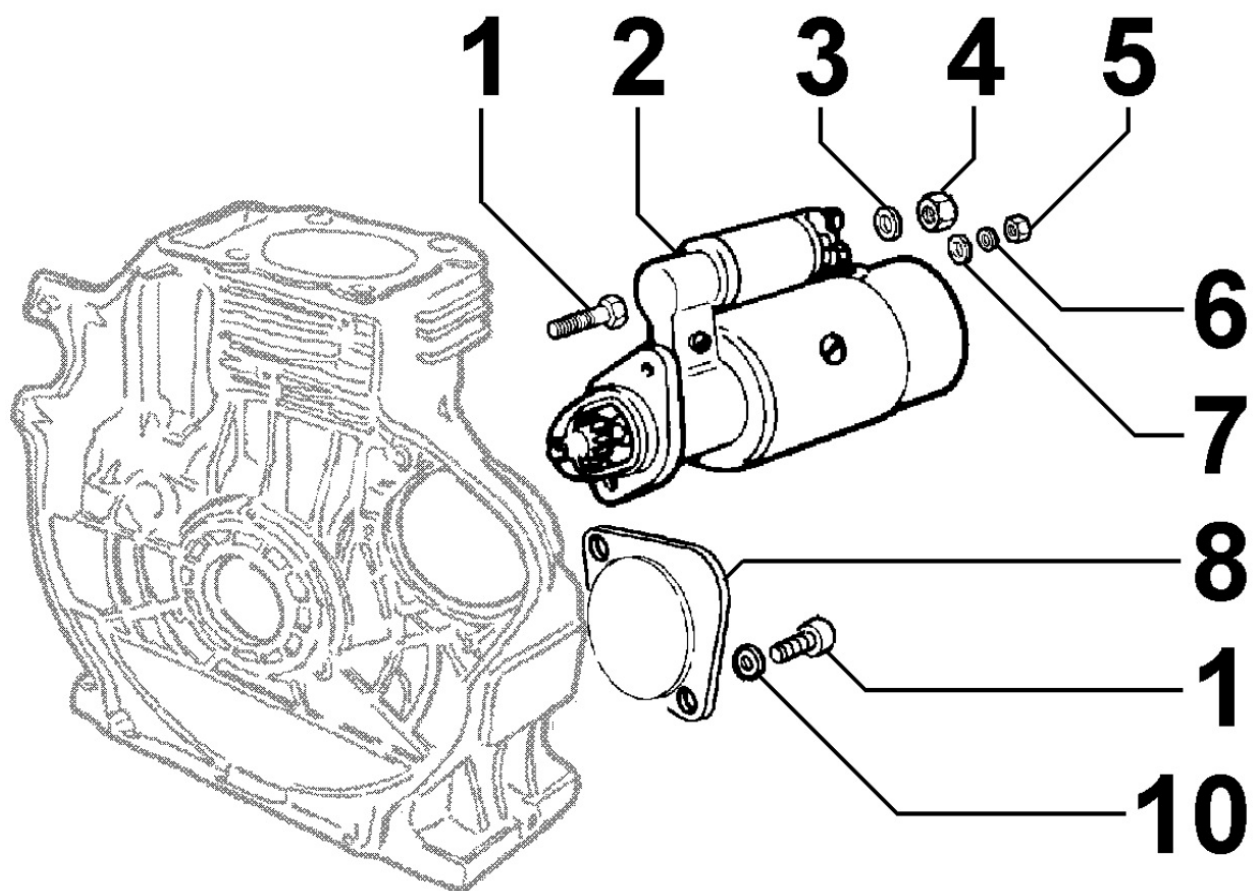


8100150020 - VOLTAGE ALTERNATOR



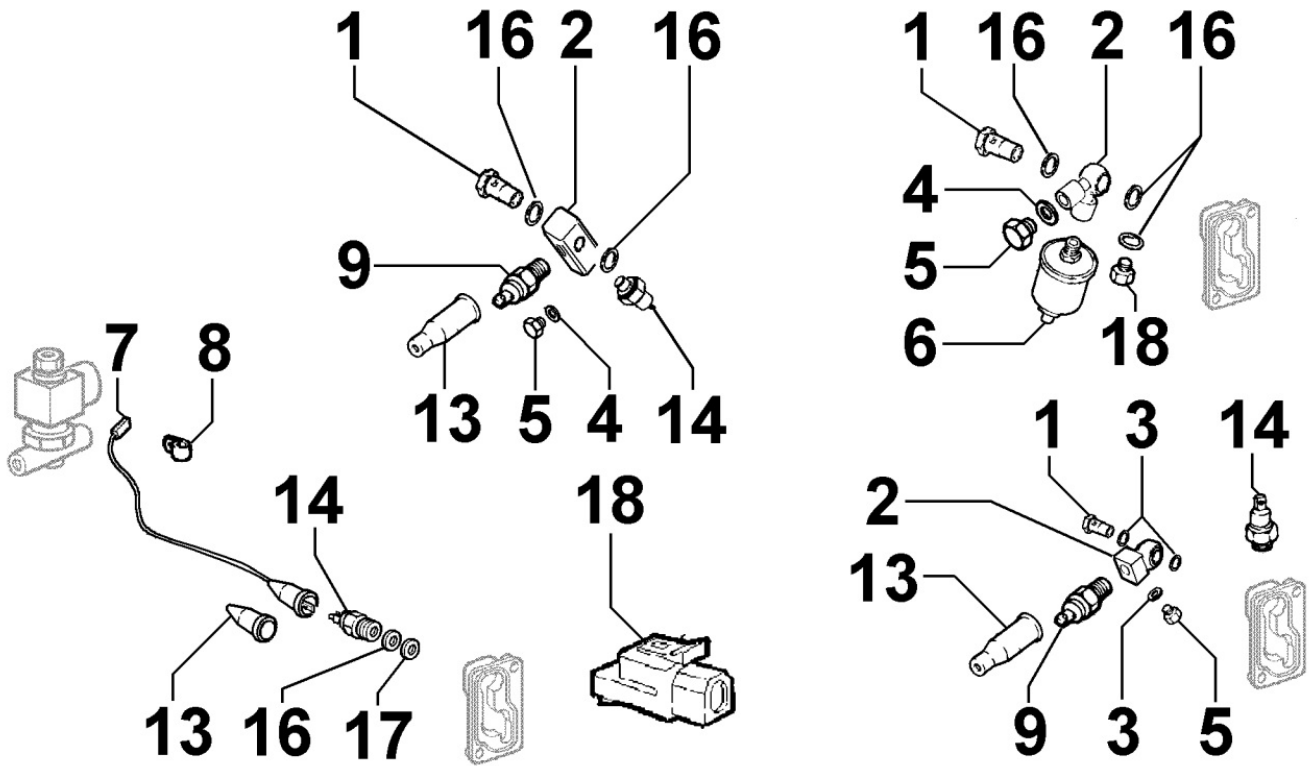
Pos	Kit	Included In	Code	Description	Qty	Old Code	Tech. Info
1			ED00992R0460-S	VITE/SCREW M.6X22 5931 8.8+Zn.b	3		
2			ED0085651130-S	STATOR	1		
6			ED0097901300-S	SCREW TC 6X8 CrNi1810 AISI 304	1		
7			ED0062751540-S	PIASTRA/PLATE D	1		
9			ED0073624070-S	VOLTAGE REGULATOR 12V-30A	1		
11			ED0021450140-S	CAP	1		

8101150040 - STARTING MOTOR



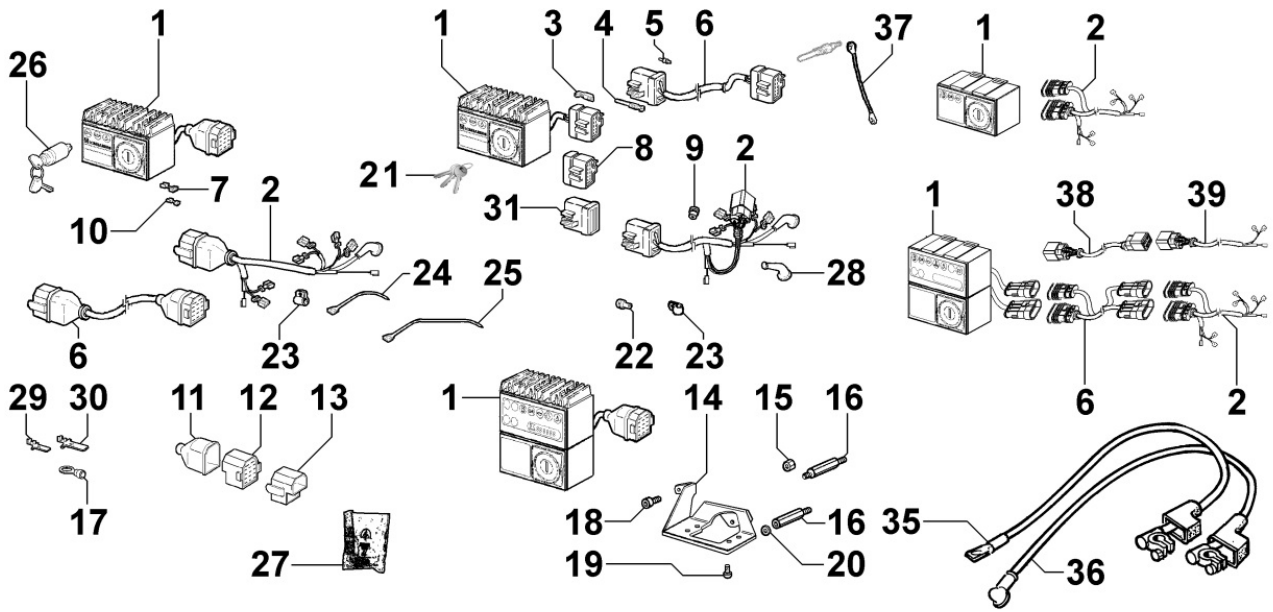
Pos	Kit	Included In	Code	Description	Qty	Old Code	Tech. Info
1			ED00992R0240-S	SOC HEAD CAP SCR M10X25	2		
2			ED0058402180-S	STARTER MOTOR 12V 1,1kW	1	ED0058401760-S	
3			ED0075650070-S	SPRING WASHER D14.2/8.2	1		
5			ED0032400090-S	HEX NUT M6 1.0P UNI55886	1		
6			ED0075550040-S	*BEL WASHER D11/6.4 0.5 TH	1		
7			ED0076250080-S	PLAIN WASHERS 6,4X12,5X1,6	1		

8102150090 - OIL PRESSURE SWITCH



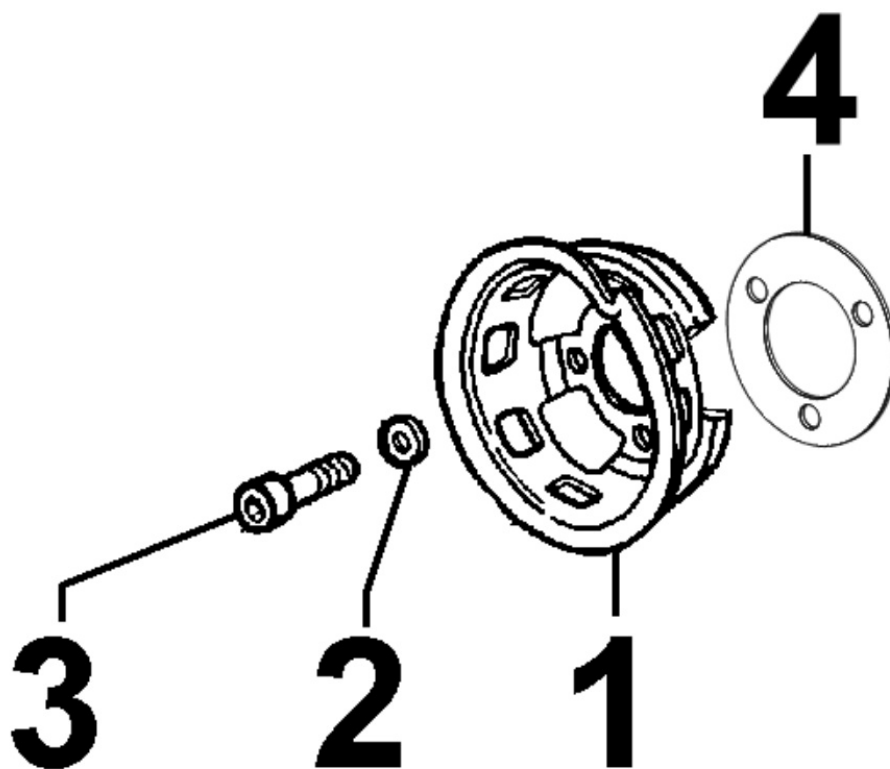
Pos	Kit	Included In	Code	Description	Qty	Old Code	Tech. Info
14			ED0067450530-S	P.SWITCH	1		


8103150370 - CONTROL PANEL / ENGINE WIRES



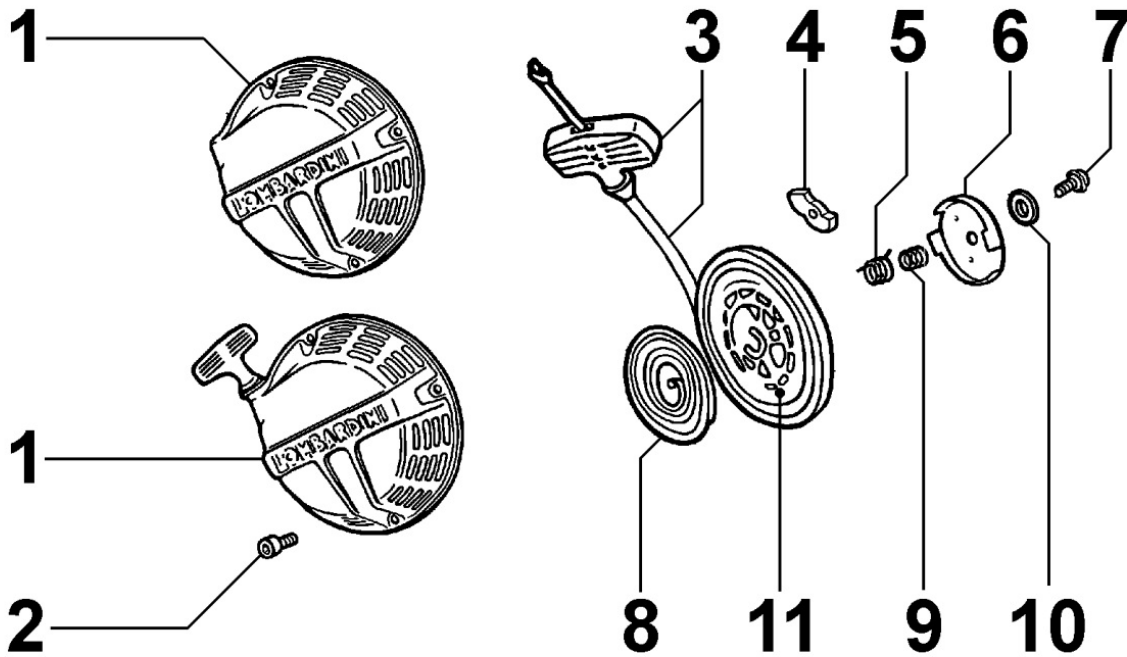
Pos	Kit	Included In	Code	Description	Qty	Old Code	Tech. Info
2	B		ED0021862920-S	WIRING FOR CONTROL PANEL	1		
23			ED0036170150-S	CLAMP D.6,5 D.10	1		

8110150020 - STARTING

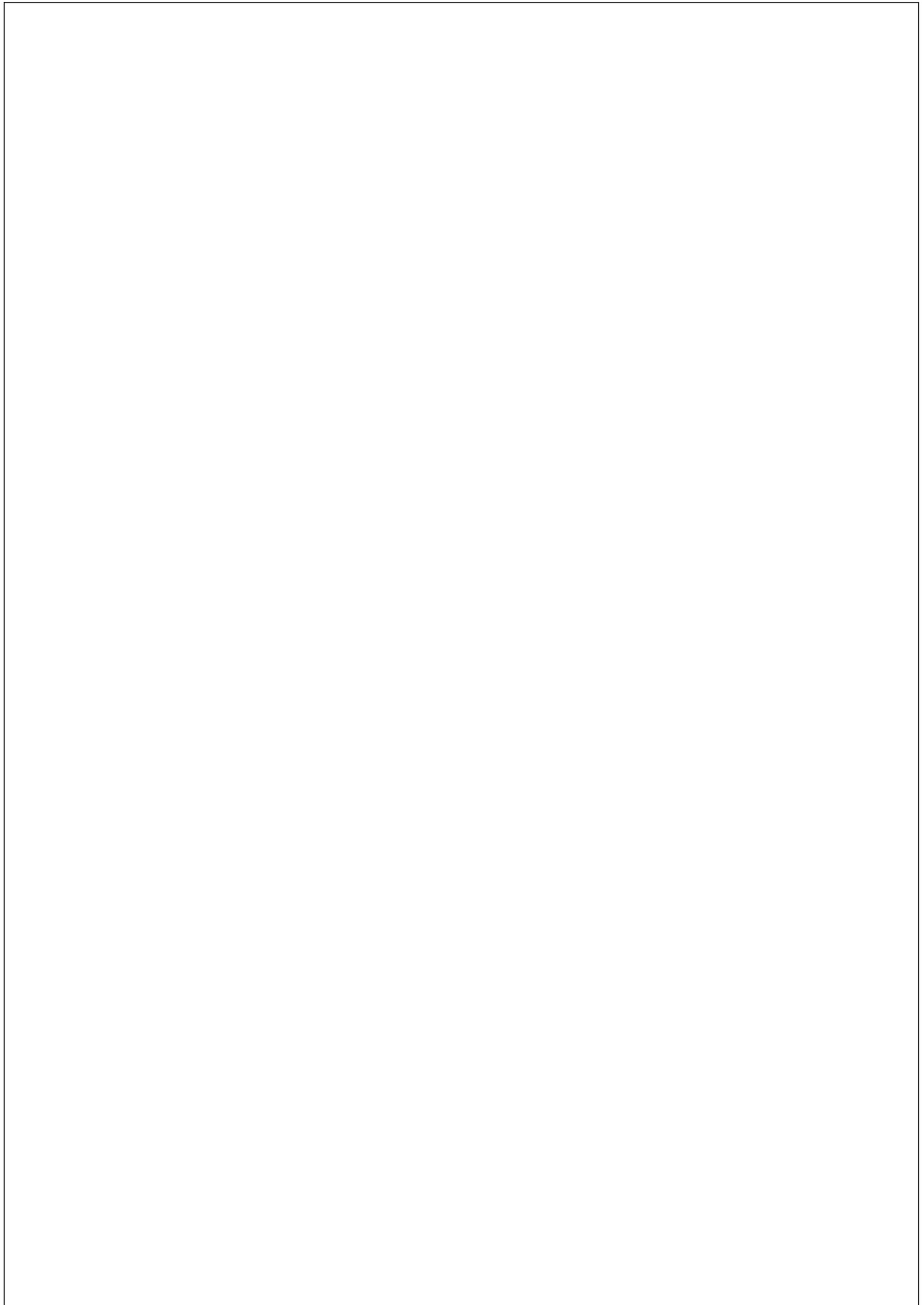


Pos	Kit	Included In	Code	Description	Qty	Old Code	Tech. Info
1			ED0069611080-S	STARTING PULLEY GR.16	1		
2			ED0075650070-S	SPRING WASHER D14.2/8.2	3		
3			ED0097320640-S	SOC HEAD SCREW M8x30-5931.8G+Zn.B	3		

8120150250 - RECOIL STARTING



Pos	Kit	Included In	Code	Description	Qty	Old Code	Tech. Info
1	(A)		ED0014720570-S	RECOIL STARTER BLACK	1		
2			ED0097303090-S	SOC HEAD CAP SCR M6X8L 8.8	4		
3		(A)	ED0049040380-S	HANDLE	1	ED0040550440-S	
3		(A)	ED0049040380-S	HANDLE	1	ED0049040390-S	
4		(A)	ED0050250970-S	RECOILTOOTH	2		
5		(A)	ED0056600660-S	MOLLA DI RICHIAMO AUTOAVVOLGEN	1		
6		(A)	ED0079800630-S	SCODELLINO COMANDO INNESTI PER	1		
7		(A)	ED0097303400-S	ALLEN S.	1		
8		(A)	ED0058015390-S	MOLLA A SPIRALE X AUTOAVVOLGEN	1		
9		(A)	ED0055900260-S	MOLLA FRIZIONE X AUTOAVVOLGENT	1		
10		(A)	ED0077011820-S	RONDELLA/WASHER D 10	1		
11		(A)	ED0071003770-S	PULEGGIA X AUTOAVV. DX E SX	1		



# KOHLER® ENGINES