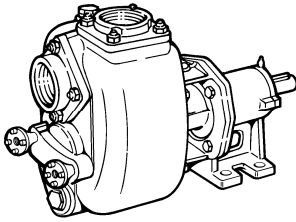
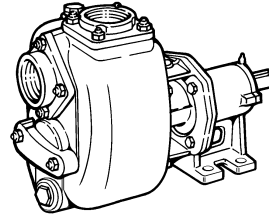


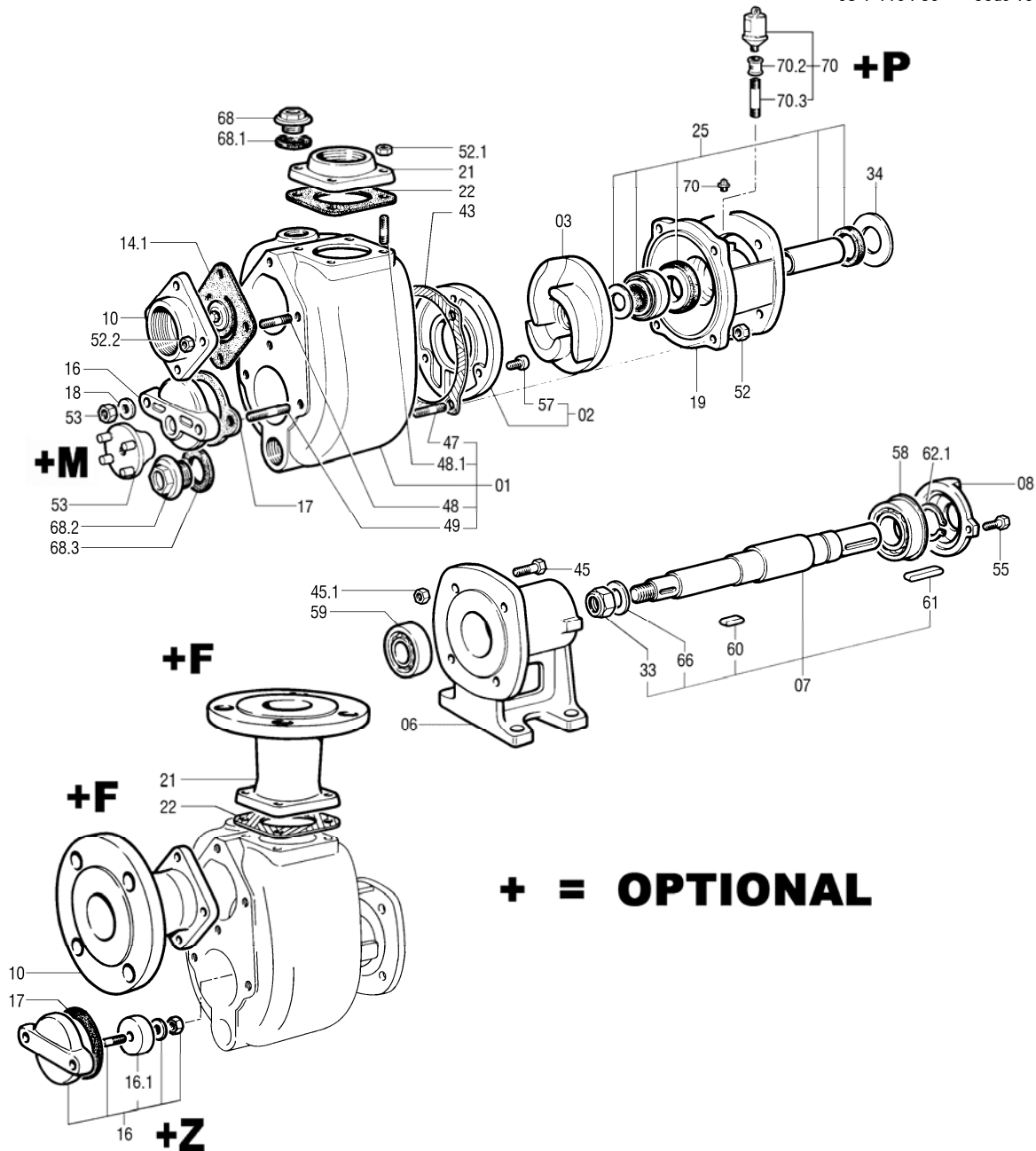
DISTINTA DELLE PARTI COSTITUENTI LE POMPE CENTRIFUGHE AUTODESCANTI SERIE "J"
 SPARE PARTS LIST FOR "J" SERIES SELF-PRIMING CENTRIFUGAL PUMPS
 LISTE DES PIÈCES DE RECHANGE POUR POMPES CENTRIFUGES AUTO-AMORÇANTES SERIE "J"
 ERSATZTEILLISTE FÜR SELBSTANSAUGENDE KREISELPUMPEN SERIE "J"



JS 1-110 Q10 Code 1000 9107
 JS 1-110 B10 Code 1000 9138



JS 1-110 G10 Code 1000 9100
 JS 1-110 G20 Code 1000 9096
 JS 1-110 F10 Code 1000 9098
 JS 1-110 F20 Code 1001 3763
 JS 1-110 K10 Code 1000 9143
 JS 1-110 K20 Code 1000 9148
 JS 1-110 L10 Code 1004 3008
 JS 1-110 L20 Code 1002 3519
 JS 1-110 T10 Code 1004 3009
 JS 1-110 P10 Code 1000 9102
 JS 1-110 P30 Code 1000 9096



+ = OPTIONAL

Rif. N° Pos. Nr.	Quant.	Denominazione	Part name	Den. Comm. Type	Mat.*	Codice Nuovo New Part no	JS 1-110 G10	JS 1-110 G20	JS 1-110 P10	JS 1-110 P30	JS 1-110 Q10	JS 1-110 B10	JS 1-110 F10	JS 1-110 F20	JS 1-110 K10	JS 1-110 K20	JS 1-110 L10	JS 1-110 L20	JS 1-110 T10					
01	1	Corpo (1)	Casing (1)		G	1000 8030																		
					B	1000 8023																		
					K	1000 8050																		
					KL	1005 0339																		
					G+QPQ	1004 3846																		
02	1	Piatto d'usura (2)	Front wear plate (2)	da matr. 214941	G	1002 0012																		
				fino a matr. 214941	G	1000 8410																		
					B	1000 8389																		
				da matr. 214941	K	1002 0894																		
					KL	1005 0340																		
	G+QPQ	1004 5777																						
03	1	Girante	Impeller		G	1000 5275																		
					G	1000 5368																		
					B	1000 5198																		
					K	1000 5388																		
					K	1000 5416																		
					KL	1000 5388																		
					KL	1002 3507																		
G+QPQ	1000 5388																							
06	1	Supporto	Bearing housing		G	1000 6861																		
07	1	Albero (3)	Shaft (3)		S	1001 8281																		
					S	1000 7574																		
					K	1000 7602																		
					KL	1002 3517																		
08		Copricuscinetto	Bearing cover		G	1000 4770																		
10	1	Portavalvola	Suction flange	R 1"1/2	G	1000 6413																		
					OTS	1000 6394																		
					K	1000 6443																		
					KL	1002 3510																		
						+F	+F	+F	+F	+F	+F	+F	+F	+F	+F	+F	+F	+F	+F					
14.1	1	Valvola completa (4)	Check valve ass. (4)		NH	1000 9010																		
					TK	1000 9013																		
					VK	1000 9014																		
16	1	Portina	Cover		S	1000 6473																		
					G	1000 6486																		
					B	1000 3748																		
					KL	1000 6502																		
					SZ	1000 8502	+Z	+Z	+Z	+Z													+Z	
16.1	1	Placca zinco	Zinc anode		Z	1000 3810	+Z	+Z	+Z	+Z									+Z					
17(**)	1	Guarnizione	Gasket																					
18(*)	2	Rondella	Washer																					
19	1	Portamotore	Head		G	1000 6295																		
					G	1000 6297																		
					B	1000 6269																		
					K	1000 6365																		
					K	1000 6366																		
					KL	1004 3006																		
					KL	1002 3515																		
					G+QPQ	1000 6347																		
21	1	Flangia mandata	Discharge flange	R 1"1/2	G	10005082																		
					OTS	10005065																		
					K	1000 5108																		
					KL	1002 3504																		
						+F	+F	+F	+F	+F	+F	+F	+F	+F	+F	+F	+F	+F	+F					
22(**)	1	Guarnizione	Gasket																					
25	1	Anello di tenuta compl.	Mechanical seal ass.	T 19 YYN		1000 8804																		
				T 19 GYV		1000 8800																		
				T 19 YVV		1000 8904																		
				R 19 WWT		1002 3513																		
				R 19 WWT		1000 8925																		
33	1	Dado blocca girante	Impeller nut	M 12x1,25 UNI 7474	K	1000 1469																		
					H	1000 1462																		
34	1	Anello spartiacque	Water deflector	19x45x3	N	1000 4147																		

VARISCO S.p.A.

35129 Padova - Z.I. Nord Terza Strada, 9

Tel. 049 82 94 111

+39 049 82 94 111

Fax 049 82 94 373

International +39 049 80 76 762

Rif. N° Pos. Nr.	Quant.	Denominazione	Part name	Den. Comm. Type	Mat.*	Codice Nuovo New Part no	JS 1-110 G10	JS 1-110 G20	JS 1-110 P10	JS 1-110 P30	JS 1-110 Q10	JS 1-110 B10	JS 1-110 F10	JS 1-110 F20	JS 1-110 K10	JS 1-110 K20	JS 1-110 L10	JS 1-110 L20	JS 1-110 T10	
43(**)	1	Guarnizione corpo	Casing gasket																	
45	4	Vite	Screw	M 8 x 25 DIN 933 M 8 x 25 DIN 933	S K	1000 1938 1000 2029	○	○	○	○	○	○	○	○	○	○	○	○	○	○
45.1	4	Dado	Nut	M 8 DIN 934	S K	1000 1420 1000 1435	○	○	○	○	○	○	○	○	○	○	○	○	○	○
47(*)	4	Prigioniero	Stud	M 8x18 DIN 938 M 8x18 DIN 938	S K		○	○	○	○	○	○	○	○	○	○	○	○	○	○
48(*)	4	Prigioniero	Stud	M 8x18 DIN 938 M 8x18 DIN 938	S K		○	○	○	○	○	○	○	○	○	○	○	○	○	○
48.1(*)	4	Prigioniero	Stud	M 8x18 DIN 938 M 8x18 DIN 938	S K		○	○	○	○	○	○	○	○	○	○	○	○	○	○
49(*)	2	Prigioniero	Stud	M 10x30 DIN 938 M 10x30 DIN 938 M 10x35 DIN 938	S K K	1000 1824 1000 1845 1000 1846	○	○	○	○	○	○	○	○	○	○	○	○	○	○
52(*)	4	Dado	Nut	M 8 DIN 934	S H K	1000 1420 1000 1434 1000 1435	○	○	○	○	○	○	○	○	○	○	○	○	○	○
52.1(*)	4	Dado	Nut	M 8 DIN 934	S H K	1000 1420 1000 1434 1000 1435	○	○	○	○	○	○	○	○	○	○	○	○	○	○
52.2(*)	4	Dado	Nut	M 8 DIN 934	S H	1000 1420 1000 1434	○	○	○	○	○	○	○	○	○	○	○	○	○	○
53(*)	2	Maniglietta Dado	Wrench Nut	M 10 M 10 DIN 934	OTS S H K		+M	+M	+M	+M	○	○								+M
55	2	Vite	Screw	M 6 x 16 DIN 933	S	1000 1932	○	○	○	○	○	○	○	○	○	○	○	○	○	○
57	3	Vite	Screw	M 6 x 12 DIN 912	H K	1000 1903 1000 1918	○	○	○	○	○	○	○	○	○	○	○	○	○	○
58	1	Cuscinetto	Ball bearing	6204 2RS-NR	S	1001 8231	○	○	○	○	○	○	○	○	○	○	○	○	○	○
59	1	Cuscinetto	Ball bearing	6004 2RS	S	1000 1353	○	○	○	○	○	○	○	○	○	○	○	○	○	○
60	1	Linguetta	Key	4x4x14 DIN 6585 A	K	1000 1617	○	○	○	○	○	○	○	○	○	○	○	○	○	○
61	1	Linguetta	Key	6x6x36 DIN 6585 A	S	1000 1588	○	○	○	○	○	○	○	○	○	○	○	○	○	○
62.1	1	Anello Seeger	Ring Seeger	D. 20	S	1000 1306	○	○	○	○	○	○	○	○	○	○	○	○	○	○
66	1	Rondella	Washer	M 12 DIN 125	K H	1000 1706 1000 1707	○	○	○	○	○	○	○	○	○	○	○	○	○	○
68	1	Tappo	Plug	R 1/2" 1/2" DIN 908	S K	1000 2385 1000 2415	○	○	○	○	○	○	○	○	○	○	○	○	○	○
68.1(**)	1	Guarnizione	Gasket																	
68.2	1	Tappo	Plug	R 1"	S B K	1000 2386 1000 2388 10002416	○	○	○	○	○	○	○	○	○	○	○	○	○	○
68.3(**)		Guarnizione	Gasket	42x32,5x2																
70	1	Ingrassatore Cartuccia Perma	Grease nipple Perma Cartridge	1/4"		1000 8316	+P	+P	+P		+P	+P	+P	+P	+P	+P	+P	+P	+P	+P
70.2	1	Manicotto	Union	1/4"			+P	+P	+P		+P	+P	+P	+P	+P	+P	+P	+P	+P	+P
70.3	1	Prolunga	Grease tube	1/4"			+P	+P	+P		+P	+P	+P	+P	+P	+P	+P	+P	+P	+P
(*)	1	Serie viterie	Set of screw			1001 4482 1001 3987 1001 4483 10014484	○	○	○	○	○	○	○	○	○	○	○	○	○	○
(**)	1	Serie guarnizioni	Set of gaskets			1001 3988 1001 3993 1001 3996 1004 4057 1001 3990	○		○	○		○		○		○		○		○

Rif. N°. Pos. Nr.	Quant.	Denominazione	Part name	Den. Comm. Type	Mat.*	Codice Nuovo New Part no	JS 1-110 G10	JS 1-110 G20	JS 1-110 P10	JS 1-110 P30	JS 1-110 Q10	JS 1-110 B10	JS 1-110 F10	JS 1-110 F20	JS 1-110 K10	JS 1-110 K20	JS 1-110 L10	JS 1-110 L20	JS 1-110 T10				
+F***		Kit flange	Kit flange	DN 40 PN16	G	1004 2259	○	○	○	○										○			
				DN 40 PN16	B	1004 2785					○	○											
				DN 40 PN16	K	1004 2789												○	○				
				DN 40 PN16	KL	1005 0342															○	○	
				1"1/2 ASA150	G	1004 2817	○	○	○	○													
				1"1/2 ASA150	B	1004 2821								○	○								
				1"1/2 ASA150	K	1004 2825													○	○			
					KL												○	○					
+P***		Kit ingrassatore	Compl. Grease kit			1000 8316	○	○	○		○	○	○	○	○	○	○	○	○	○			
+Z***		Kit portine	Set of couver		GZ	1001 4076	○	○	○	○	○									○			
+M***		Kit maniglie	Set of wrench		OTS	1004 2260	○	○	○	○	○	○								○			
***		Optional																					

Note:

- 1) Completo di prigionieri (47, 48, 48.1, 49)
- 2) Completo di viti (57)
- 3) Completo di dado, rondella e linguette (33, 60, 61, 66)
- 4) Completo valvola, contrappesi, vite e dado

* Materiali di costruzione

B	= Bronzo
D	= Guarnital
G	= Ghisa
G+QPQ	= Ghisa + trattamento QPQ
GS	= Ghisa sferoidale
H	= Acciaio inox AISI 304
K	= Acciaio inox AISI 316
KL	= Acciaio inox AISI 316L
N	= Gomma nitrile
OTS	= Ottone
S	= Acciaio
T	= Teflon
V	= Viton
Z	= Zinco

Ordinare il materiale indicando sempre la quantità, la denominazione, il codice del pezzo, il tipo ed il numero della pompa.

Notes:

- 1) Complete with studs (47, 48, 48.1, 49)
- 2) Complete with screws (57)
- 3) Complete with nut, washer and keys (33, 60, 61, 66)
- 4) Complete with check valve, weights, screw and nut.

* Construction materials

B	= Bronze
D	= Guarnital
G	= Cast iron
G+QPQ	= Cast iron + Quench Polish Quench
GS	= Ductile cast iron
H	= AISI 304 stainless steel
K	= AISI 316 stainless steel
KL	= AISI 316L stainless steel
N	= Nitrile rubber
OTS	= Brass
S	= Steel
T	= Teflon
V	= Viton
Z	= Zinc

When ordering spares always indicate type and serial number of pump, quantity, part name, and number.

VARISCO S.p.A.

35129 Padova – Z.I. Nord Terza Strada, 9

Tel. 049 82 94 111

Fax 049 82 94 373

+39 049 82 94 111
International +39 049 80 76 762