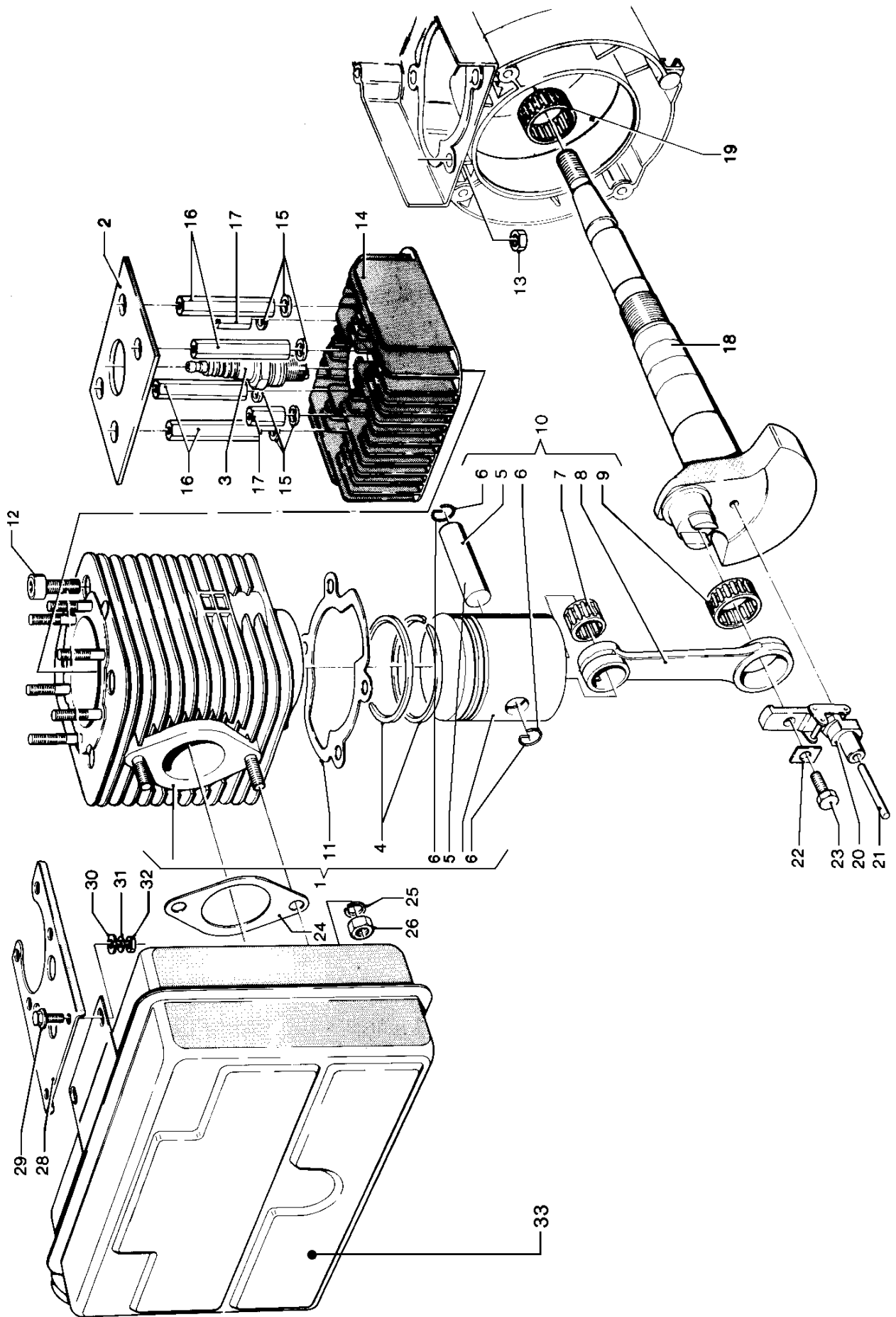


MOSA

MS 200 S
MSG CHOPPER
MSG 200/EL
MSG 201 S/EL



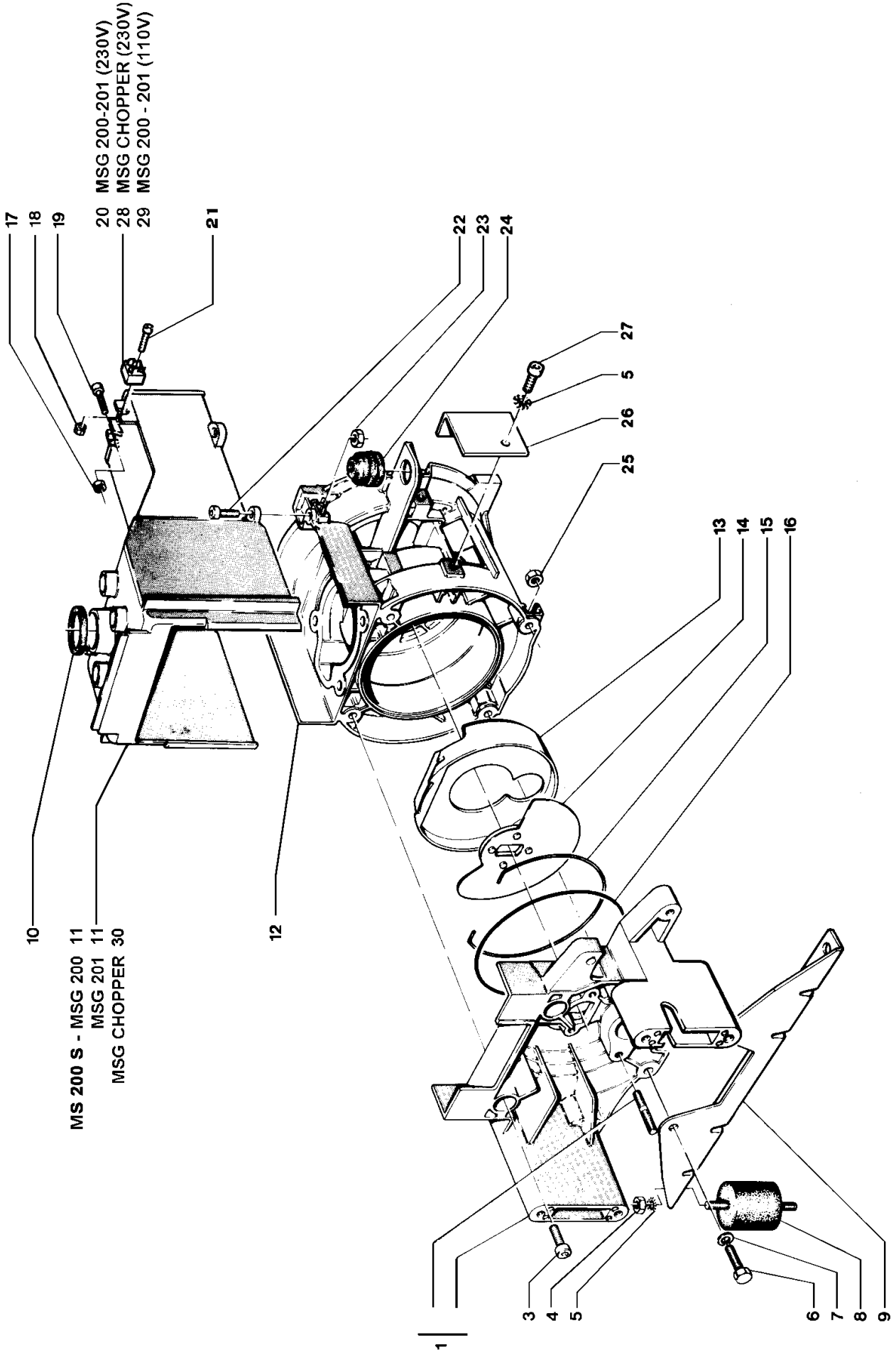


Tavole Ricambi

Modello **AB** **MSG 200 EL**

Tavola **AB** **1**

<i>Pos.</i>	<i>Rev. Cod.</i>	<i>Descr.</i>	
1	101040508	CYLINDER/PISTON ASSEMBLY	
2	101043320	INSULATION, FELT	
3	101043250	SPARK PLUG	
4	101041430	PISTON RING	
5	101041420	PIN,GUDGEON	
6	101041440	CIRCLIP	
7	1010020	BEARING	
8	101041390	CONNECTING ROD	
9	1010010	BEARING	
10	101048200	CONNECTING ROD ASSEMBLY	
11	101041480	GASKET	
12	6008070	SCREW	
13	6022060	NUT	
14	101041490	HEAD,ENGINE	
15	101041526	WASHER	
16	201308039	CONNECTING CYLINDER	
17	101041540	SPACER	
18	101091140	CRANKSHAFT	
19	1010030	BEARING	
20	101041700	CLAMP	
21	101042520	PIN	
22	101041620	PLATE	
23	6001040	SCREW	
24	101044660	GASKET	
25	6040030	WASHER	
26	101091310	NUT	
27	101046200	MUFFLER, EXHAUST	MSG 200-CHOPPER
28	101044850	BRACKET	
29	6005020	SCREW	
30	6035030	WASHER	
31	6040010	WASHER	
32	6022030	NUT	
33	201302055	MUFFLER, EXHAUST	MSG 201 S



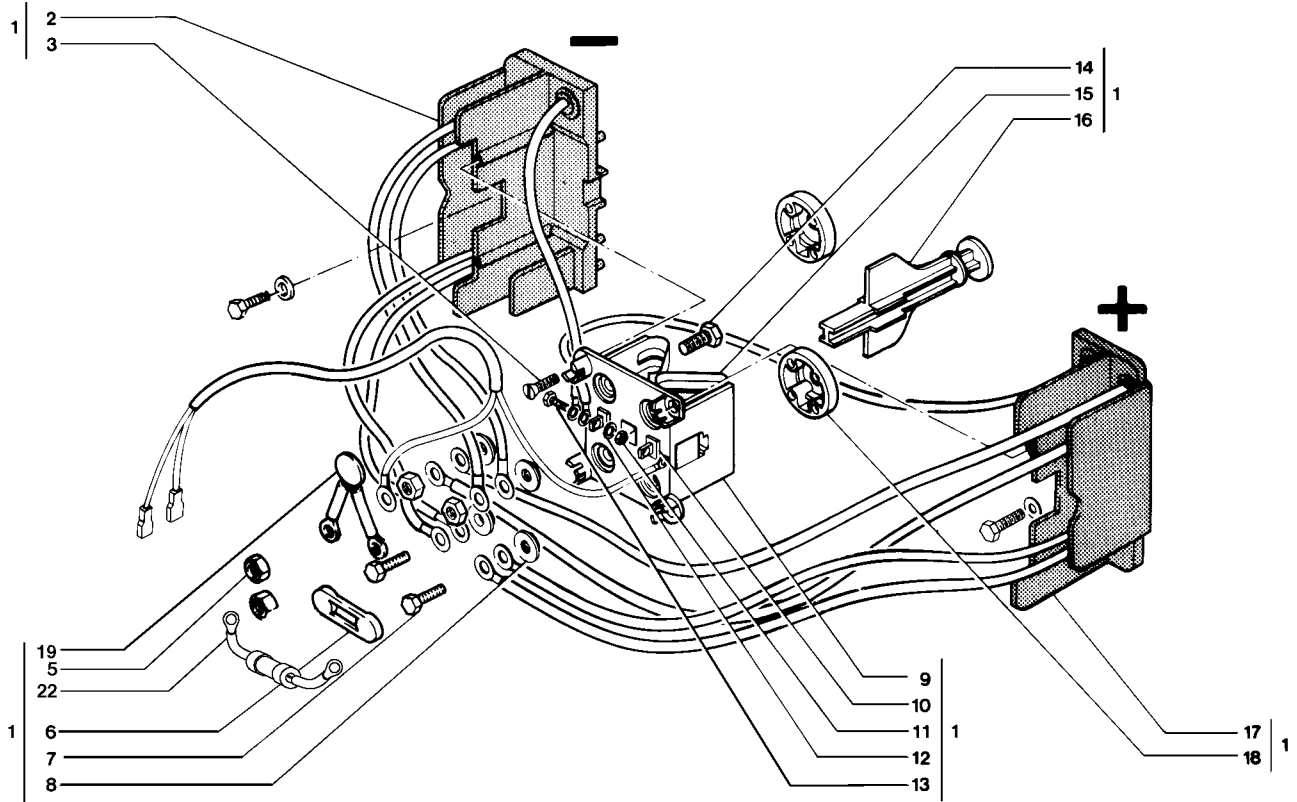
Tavole Ricambi

Modello **AB** **MSG 200 EL**

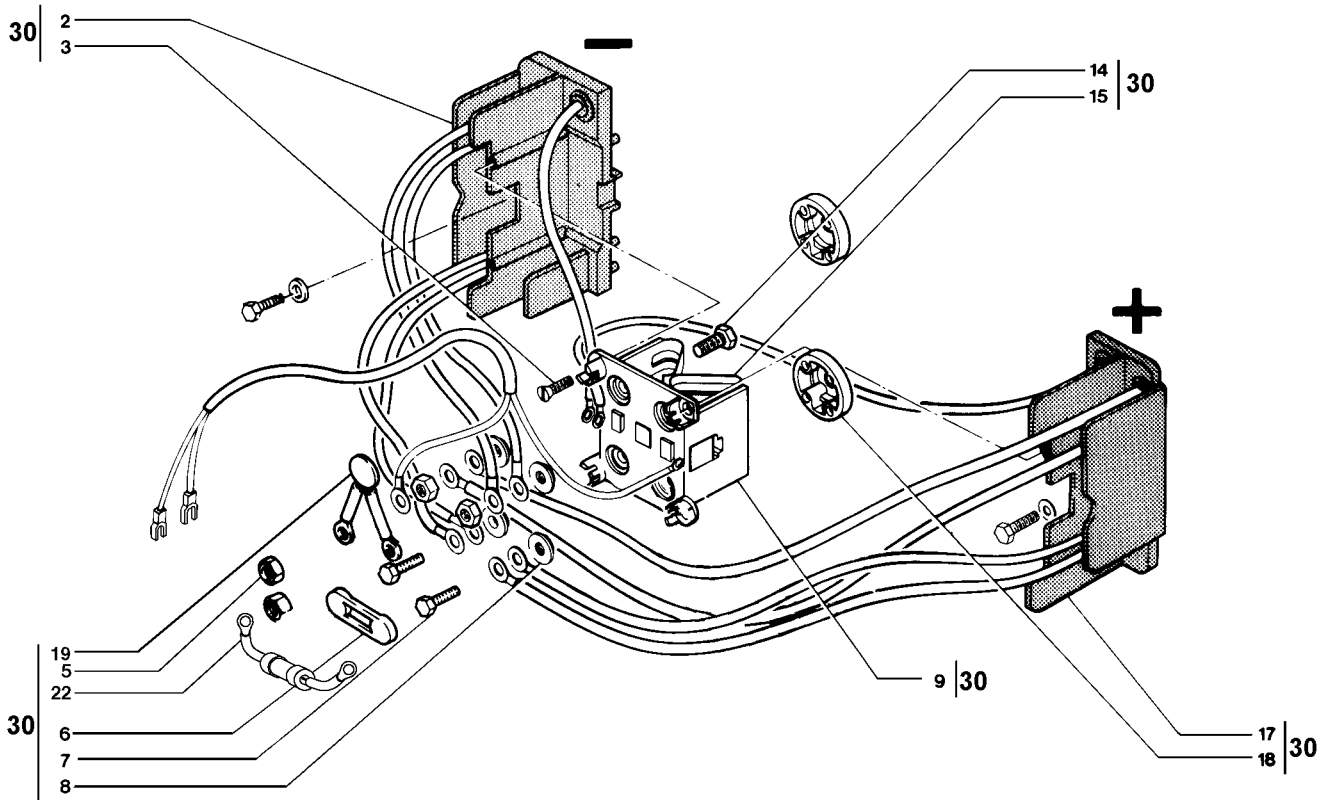
Tavola **AB** **2**

<i>Pos.</i>	<i>Rev. Cod.</i>	<i>Descr.</i>	
1	0000101092700	FLANGE,CARBURETTOR HOLDER	
3	6008040	SCREW	
4	6022040	NUT	
5	6044040	WASHER	
6	6001170	SCREW	
7	6040020	WASHER	
8	101091270	VIBRATION DAMPER	
9	101045540	BRACKET	
10	101043340	GASKET	
11	101043330	AIR DUCT	MSG 200-MSG 201 S
12	101091300	ENGINE, HOUSING/ASSY	
13	101042490	COMPENSATOR	
14	101042600	DISC VALVE	
15	101042510	CIRCLIP	
16	1018030	O RING	
17	6022040	NUT	
18	6022020	NUT	
19	6008040	SCREW	
20	1270150	DIODE BRIDGE	MSG CHOPPER
21	6008130	SCREW	
22	6008040	SCREW	
23	6022040	NUT	
24	101043810	SUPPORT, FLEXIBLE	
25	6022040	NUT	
26	201308044	BRACKET	
27	6001040	SCREW	
28	1270150	DIODE BRIDGE	MSG CHOPPER
29	1270070	DIODE BRIDGE 120A	
30	101606010	AIR DUCT	MSG CHOPPER

MSG 200 - CHOPPER



MSG 201 S 50/60 Hz

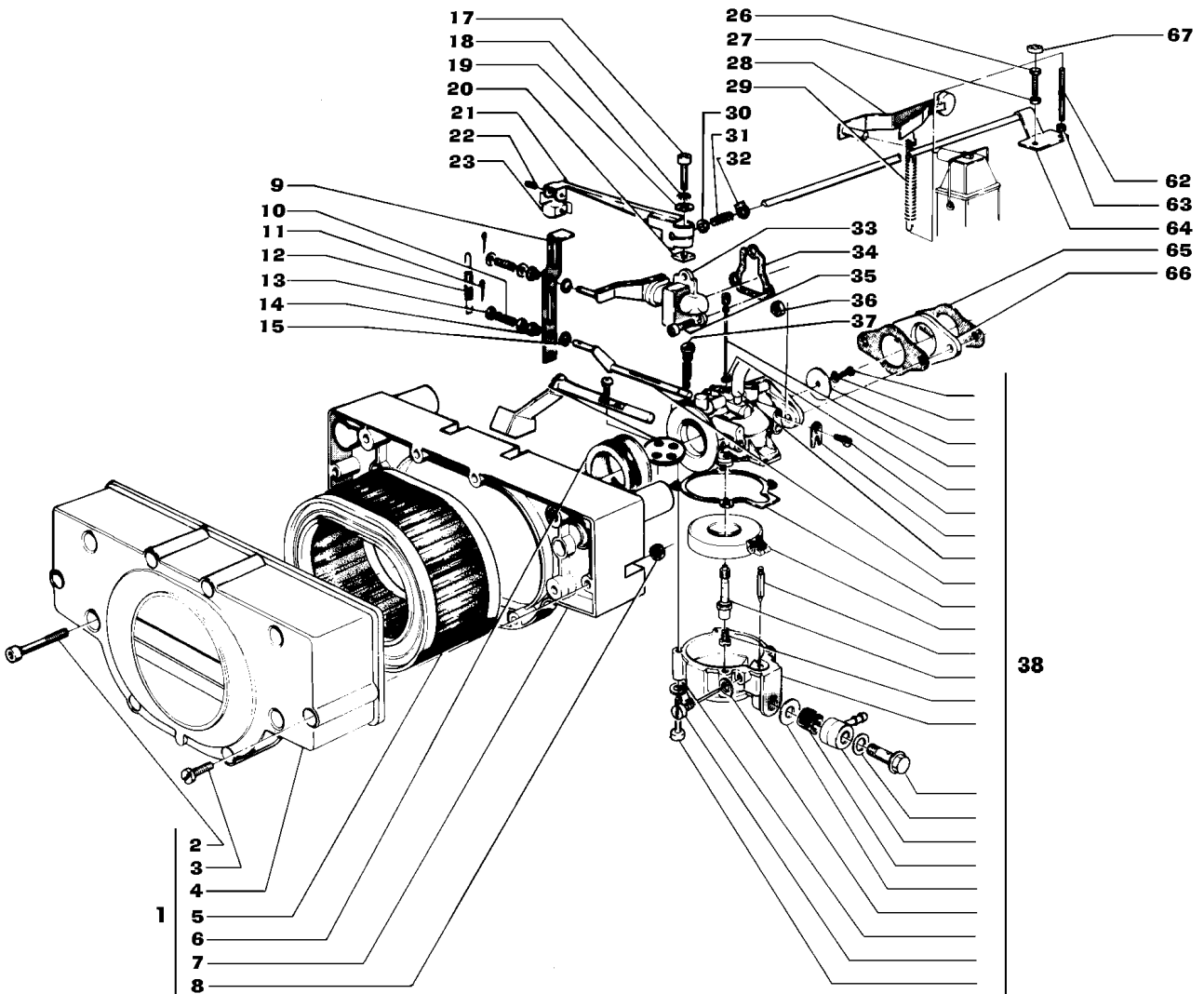
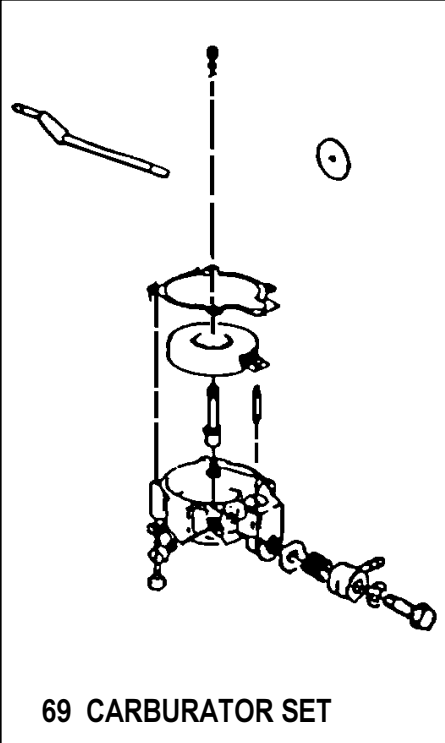


Tavole Ricambi

Modello **AB** **MSG 200 EL**

Tavola **AB** **3**

<i>Pos.</i>	<i>Rev. Cod.</i>	<i>Descr.</i>	
1	'0000201495105	DIODE BRIDGE	COMPLETO MSG 200 - 200 CHOPPER
2	101301030	HEAT SINK,RIGHT,WITH DIODES	NEG.
3	6016140	SCREW	
5	6025050	NUT	
6	101301180	CAP	
7	6002040	SCREW	
8	101301220	BUSHING	
9	101301040	COVER, CONTACTS	
10	101301016	CONTACT, SILVER-PLATED	
11	6028110	NUT	
12	6042030	WASHER	
13	6008250	SCREW	
14	6002050	SCREW	
15	101301176	CONTACT	
16	101301230	SLIDE	
17	101301020	HEAT SINK,LEFT,WITH DIODES	POS.
18	101301160	WASHER	
19	101301370	SUPPRESSOR	
22	101252350	RESISTOR, BALLAST	
30	222305105	DIODE BRIDGE ASSY	COMPLETO MSG 201 S

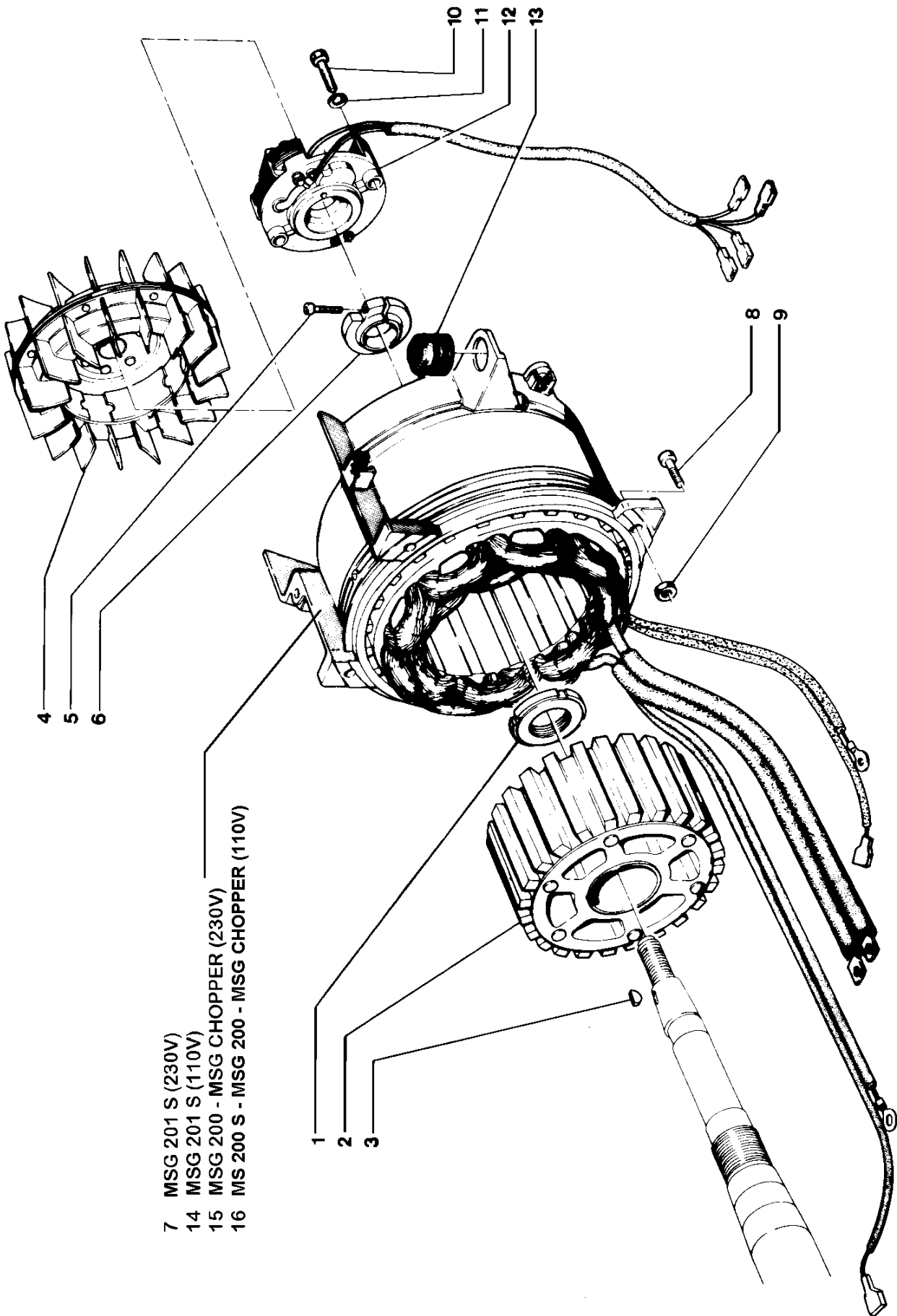


Tavole Ricambi

Modello **AB** **MSG 200 EL**

Tavola **AB** **4**

<i>Pos.</i>	<i>Rev. Cod.</i>	<i>Descr.</i>	
1	0000101302400	AIR FILTER, ASSY	
2	6008260	SCREW	
3	6016200	SCREW	
4	101302410	COVER, AIR FILTER	
5	101302430	CARTRIDGE, AIR FILTER	
6	101044960	GASKET	
7	101302420	BOX, AIR FILTER	
8	6022030	NUT	
9	101042386	LEVER	
10	101043530	SPRING	
11	6075010	SPLIT PIN	
12	101042410	SPRING	
13	101042390	WASHER	
14	1026010	BUSH	
15	101042370	WASHER	
17	6008080	SCREW	
18	6040020	WASHER	
19	6035060	WASHER	
20	6032010	NUT	
21	101044626	LEVER	
22	6078020	PIN	
23	101044630	SLIDING BLOCK	
26	6001010	SCREW	
27	6022020	NUT	
28	101091930	LEVER	
29	101044560	SPRING	
30	101252320	WASHER	
31	101252330	SPRING	
32	101252310	BUSH	
33	101041900	REGULATOR LEVEL	
34	101041770	GASKET	
35	6008020	SCREW	
36	6022040	NUT	
38	101302450	CARBURETTOR	COMPLETO
62	101044596	PIN, THREADED	
63	6022020	NUT	
64	101046000	ROD	
65	101041780	GASKET	
66	101041790	FLANGE	
67	101252300	CAP	
69	101313300	VEDI COD.101302450	

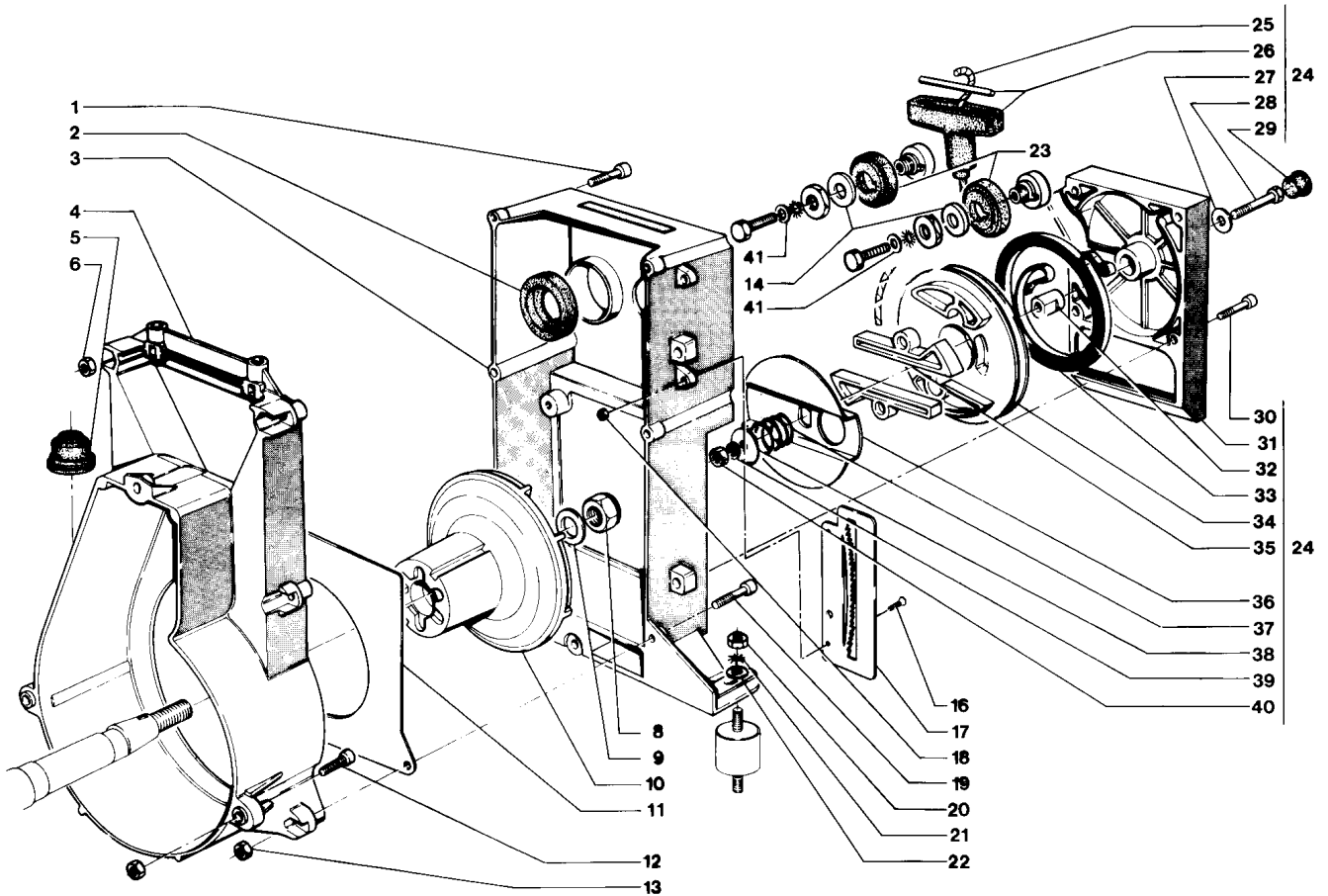
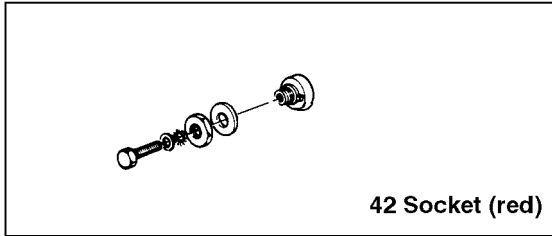
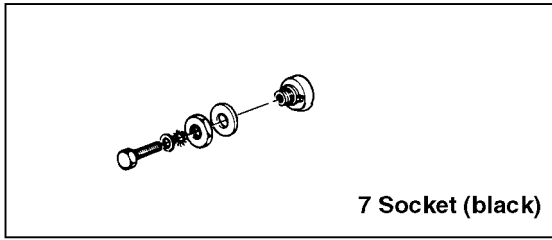


Tavole Ricambi

Modello **AB** **MSG 200 EL**

Tavola **AB** **5**

<i>Pos.</i>	<i>Rev. Cod.</i>	<i>Descr.</i>	
1	6029010	RING NUT	
2	101091200	ROTOR	
3	6085010	KEY,ARMATURE	
4	101301860	FAN-INDUCTOR,ASSY	
5	6008140	SCREW	
6	101091176	CLAMP	
7	201493026	STATOR	MSG 201 S
8	6008050	SCREW	
9	6022040	NUT	
10	6001180	SCREW	
11	6044010	WASHER	
12	101301820	MAGNETO, IGNITION, ASSY	
13	101043810	SUPPORT, FLEXIBLE	
14	201503026	STATOR 110 V	MSG 201 S
15	101302000	STATOR	MSG 200-CHOPPER
16	101311900	STATOR 110V	MSG 200-CHOPPER

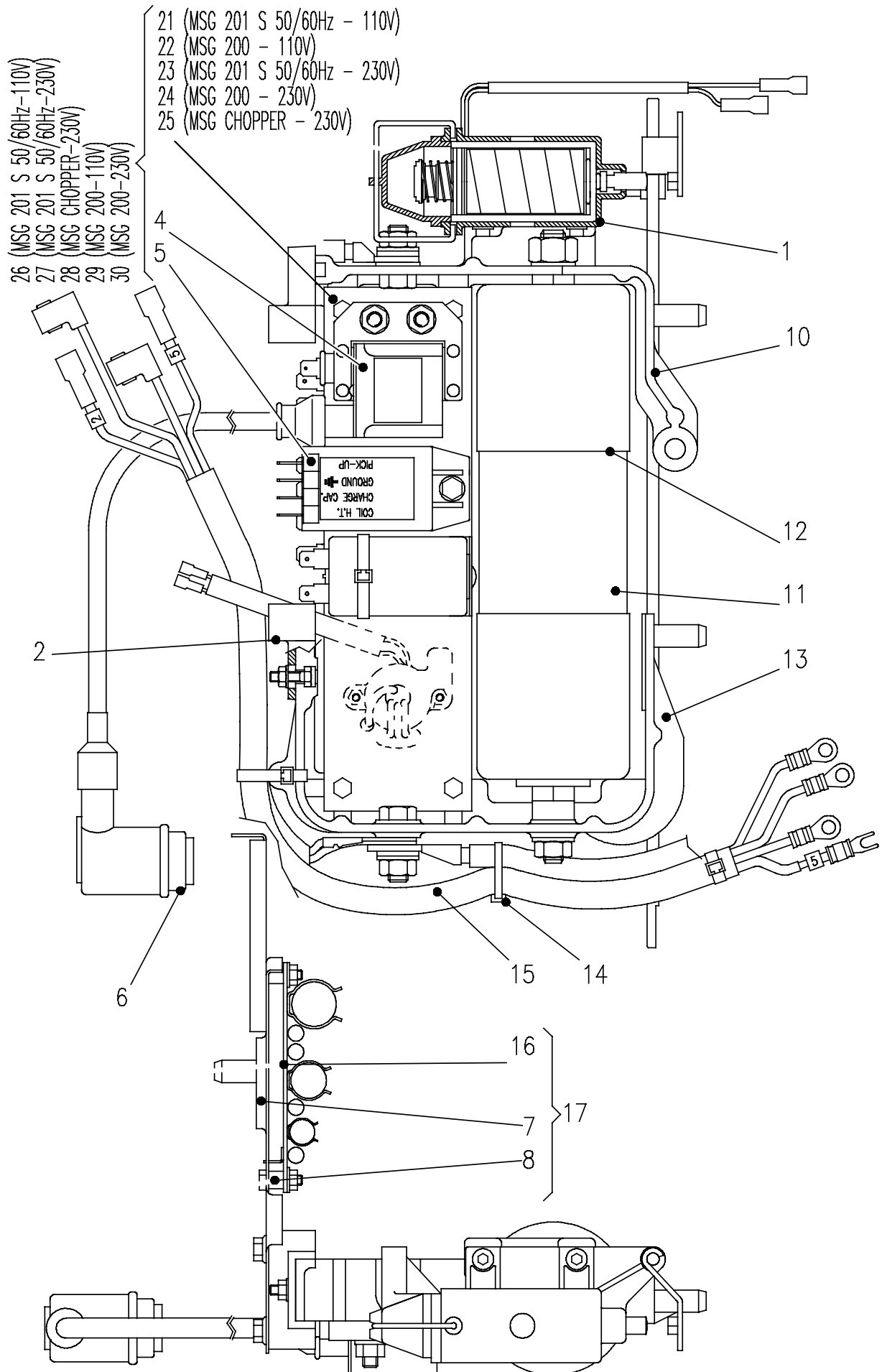


Tavole Ricambi

Modello **AB** **MSG 200 EL**

Tavola **AB** **6**

<i>Pos.</i>	<i>Rev. Cod.</i>	<i>Descr.</i>	
1	6008050	SCREW	
2	101131210	CAP	
3	101361120	COVER	
4	101042870	HOUSING, ALTERNATOR	
5	101043810	SUPPORT, FLEXIBLE	
6	6022040	NUT	
7	101130518	SOCKET	NERA
8	6028090	NUT	
9	6035080	WASHER	
10	101131530	RATCHET, STARTER	
11	101042880	SHEET	
12	6008040	SCREW	
13	6022040	NUT	
16	6019010	SCREW	
17	101301666	PLATE, CURRENT ADJUSTER	
18	6022010	NUT	
19	6008200	SCREW	
20	6022040	NUT	
21	6044040	WASHER	
22	6035060	WASHER	
24	0000101131900	STARTER ASSY	
25	101131490	ROPE	
26	101092010	HANDGRIP	
27	101131466	WASHER	
28	6001080	SCREW	
29	101131590	PLUG	
30	6008170	SCREW	
31	101131411	COVER	
32	101131436	SPACER	
33	101131470	SPRING	
34	101131480	PULLEY	
35	101131510	PAWL	
36	101131526	DISK	
37	101131450	SPRING	
38	101131466	WASHER	
39	6040020	WASHER	
40	6022040	NUT	
41	6038010	WASHER	
42	101300518	SOCKET,RED	ROSSA

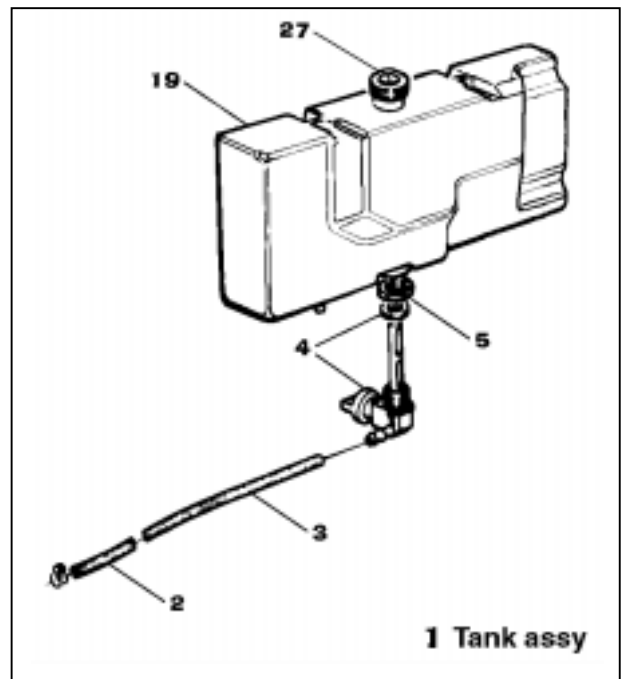
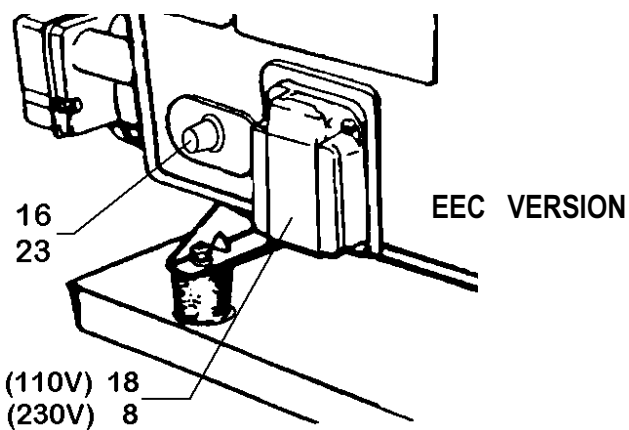
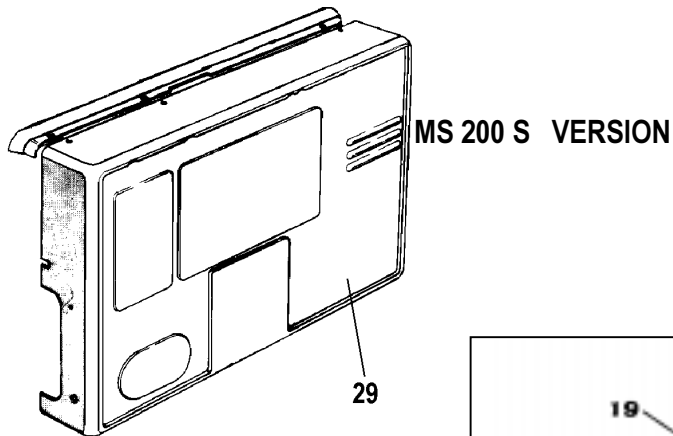
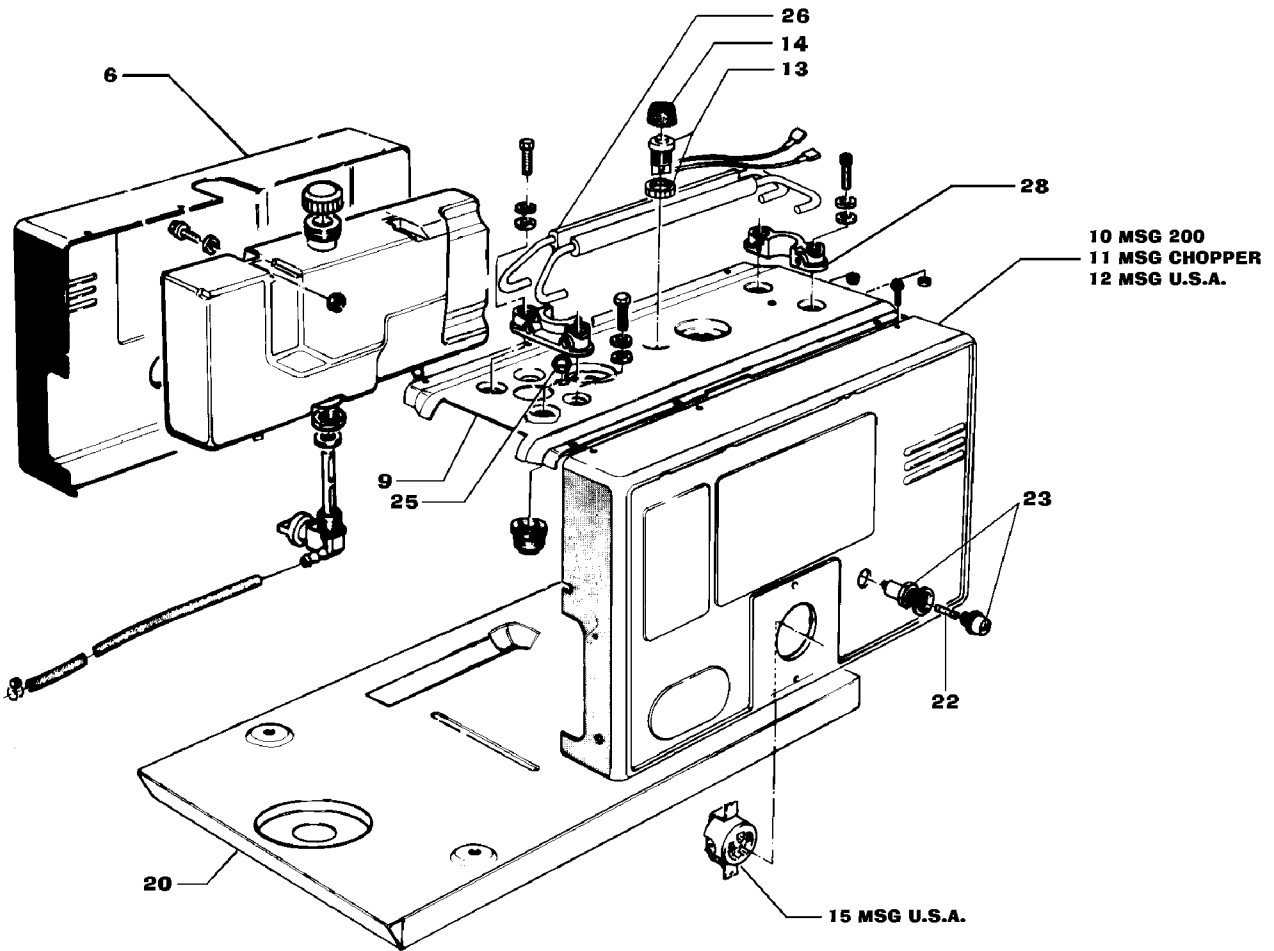


Tavole Ricambi

Modello **AB** **MSG 200 EL**

Tavola **AB** **7**

<i>Pos.</i>	<i>Rev. Cod.</i>	<i>Descr.</i>	
1	101045600	SOLENOID	
2	101091340	BLOCK, SPACING	
4	101301880	COIL, HIGH VOLTAGE	
5	101301890	IGNITION ELECTRONIC	
6	101174930	CAP, SPARK PLUG	
7	101301080	FRAME	
8	102302060	SPACER	
10	101091320	CONDUCTOR	
11	101044610	CONDENSER 80 MF	
12	101201970	CAP, INSULATING	
13	101091330	CONDUCTOR	
14	1239010	CLAMP	
15	201499592	CABLE SET	
16	201499835	EXCITATION CARD	
17	'0000201499834	EXCITATION CARD FRAME	
21	LN201509670	IGNITION CARD (110V)	MSG 201 S
22	101310527	PCB,ELECTR.(110v VERSION)	MSG 200
23	LN201499670	IGNITION CARD (230V)	MSG 201 S
24	101301200	PLATE ASSY	MSG 200
25	101609660	STARTER PCB (CHOPPER)	MSG CHOPPER
26	'0000201509670	PLATE ASSY (110V)	MSG 201 S
27	'0000201499670	PLATE,ELECTR. (230v VERSION)	MSG 201 S
28	'0000101609670	PCB STARTER	MSG CHOPPER
29	101310527	PCB,ELECTR.(110v VERSION)	MSG 200
30	101300527	PLATE,ELECTR. (220v VERSION)	MSG 200

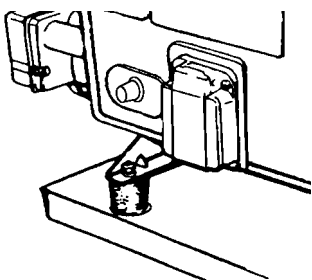
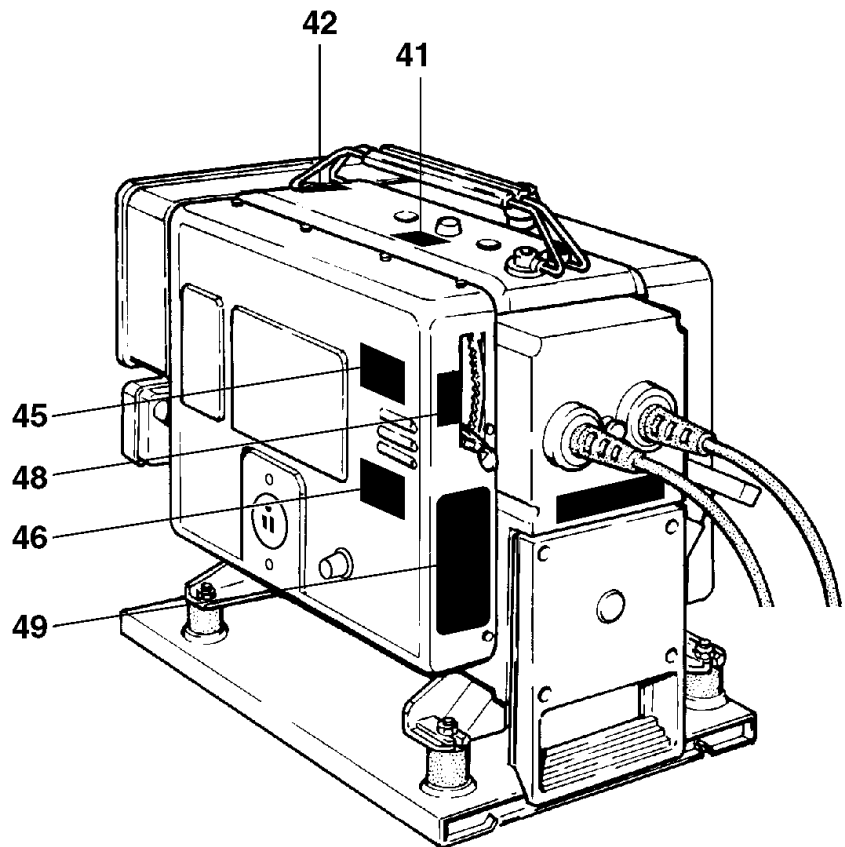
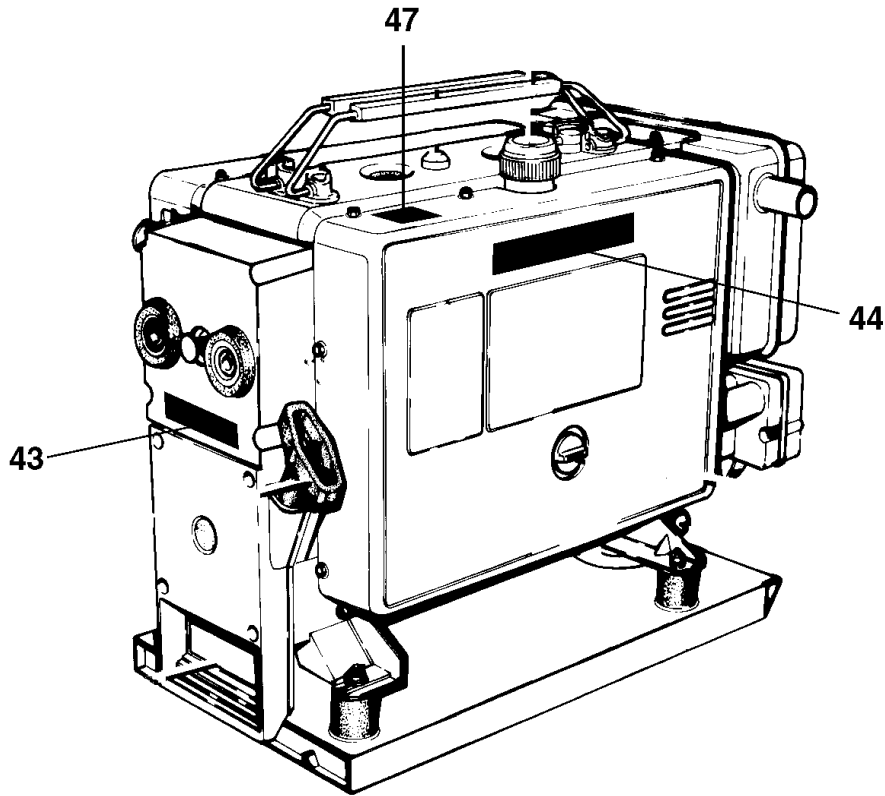


Tavole Ricambi

Modello **AB** **MSG 200 EL**

Tavola **AB** **8**

<i>Pos.</i>	<i>Rev. Cod.</i>	<i>Descr.</i>	
1	101254050	FUEL TANK	
2	6086010	SPRING	
3	101043970	GAS PIPE (L=MT.1)	QM
4	101302570	TAP, FUEL	
5	6023030	NUT	
6	101301570	COVER, LEFT	
8	102302310	SOCKET	
9	101091810	COVER	
10	101301540	COVER, RIGHT	MSG 200
11	101601540	COVER	MSG CHOPPER
12	101341110	COVER CONDENSER SIDE	MSG 200 U.S.A.
13	101091830	BUTTON, STOP	
14	101091840	CAP	
15	101171120	SOCKET 115V 15A (SINGLE PHASE)	MSG 200 U.S.A.
16	1291180	FUSE	MSG CHOPPER
18	101161140	SOCKET 110V 16A (SINGLE-PHASE)	
19	101302550	FUEL TANK	
20	101047400	BASE	
22	1291090	FUSE	MSG 200 U.S.A.
23	103011320	HOLDER, FUSE	MSG 200-CHOPPER
25	1031010	GROMMET	
26	101301070	HANDGRIP	
27	101302560	CAP, FUEL TANK	
28	101301210	SUPPORT, HANDLE	
29	A 222201540	COVER CONDENSER SIDE	

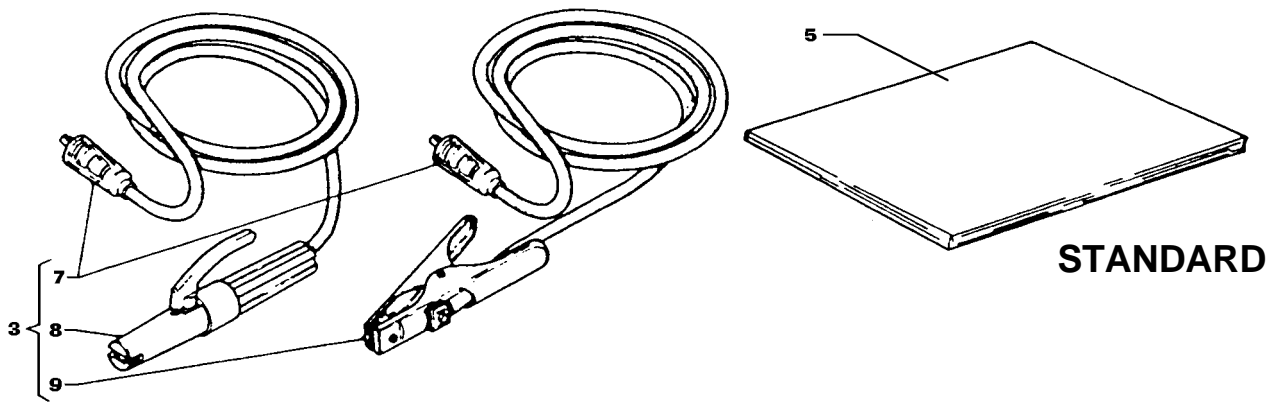


Tavole Ricambi

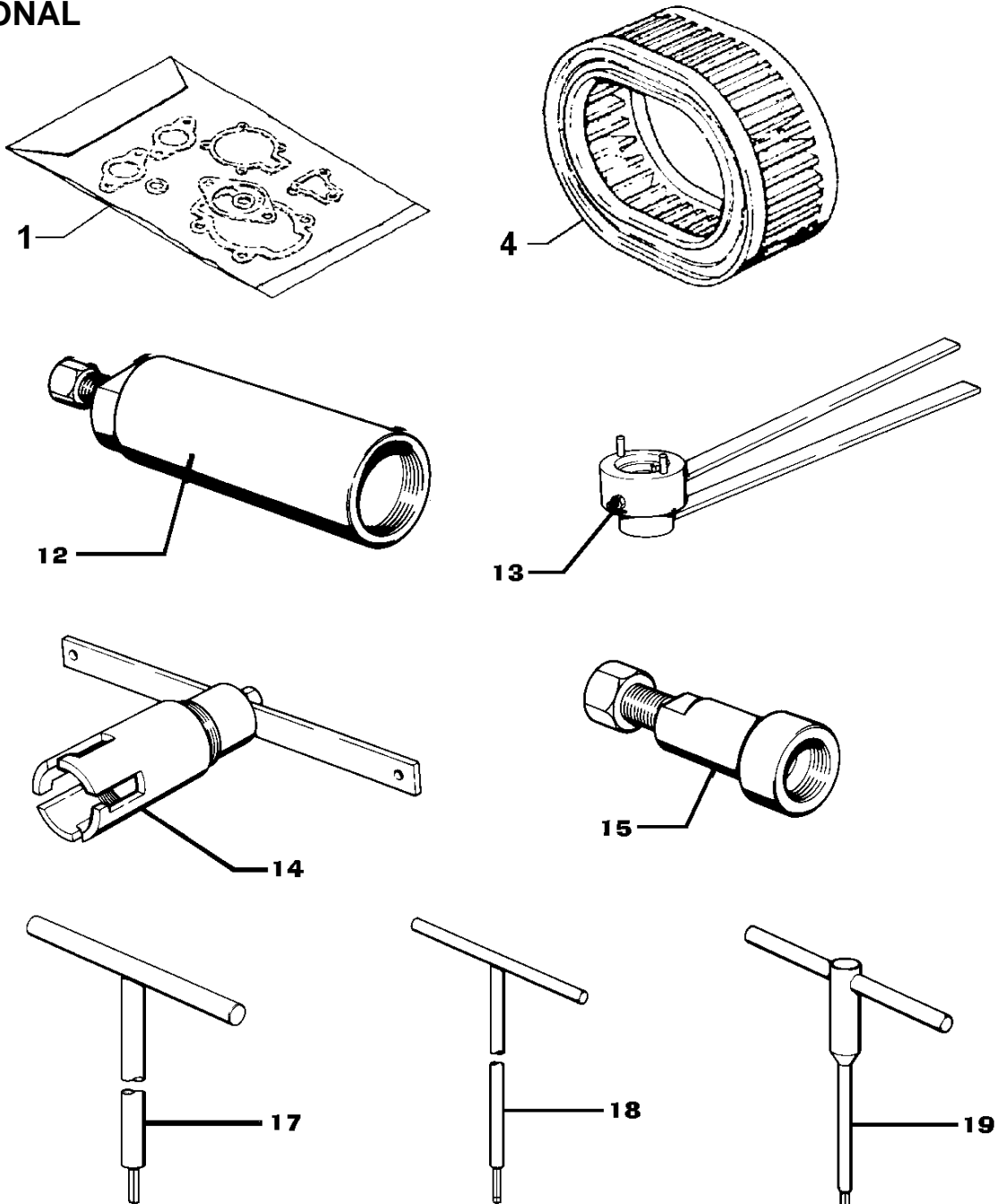
Modello **AB** **MSG 200 EL**

Tavola **AB** **9**

<i>Pos.</i>	<i>Rev. Cod.</i>	<i>Descr.</i>	
41	101093040	STOP DECAL	
42	101093060	HOT EXHAUST WARNING LABEL	
43	101253110	WELDING/AUXILIARY KNOB DECAL	
44	101253070	ENGINE FUEL WARNING LABEL	
45	101253050	STICKER "WARNING" (TOP HALF)	
46	101253060	WARNING LABEL BOTTOM HALF	
47	101253040	STICKER "CAUTION" X FUEL TANK	
48	201500224	SET AUX LABEL	
49	101253090	LABEL, "AUX POWER CAUTION"	
50	101341660	STICKER "TO LOCK PLUGS"	
51	101341670	STICKER "TWIST TO RELEASE"	



OPTIONAL

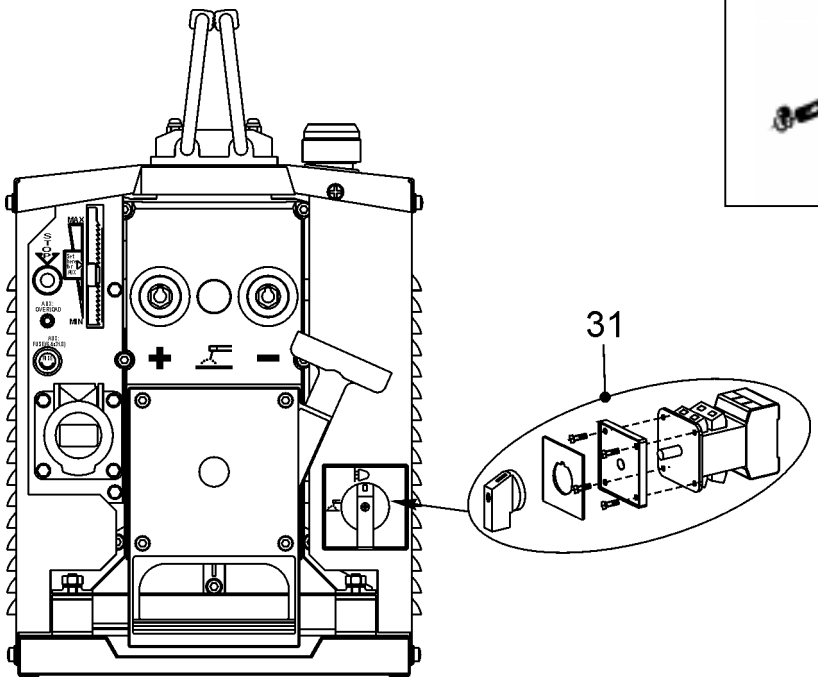
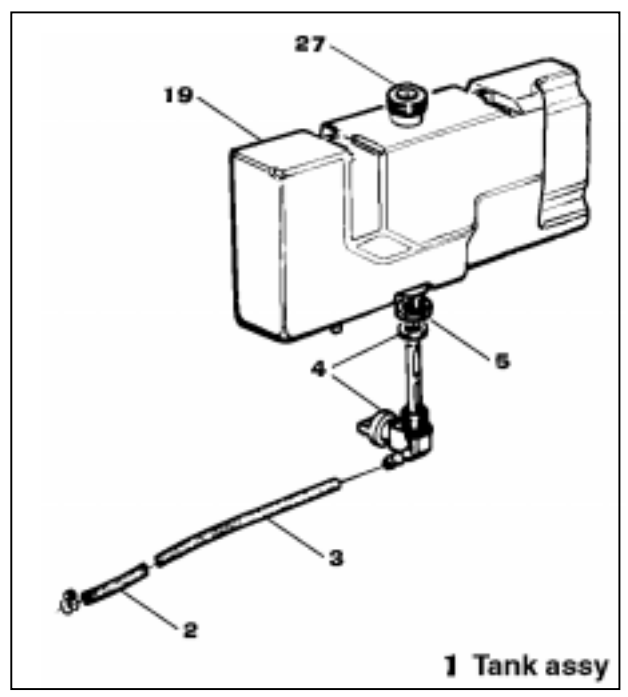
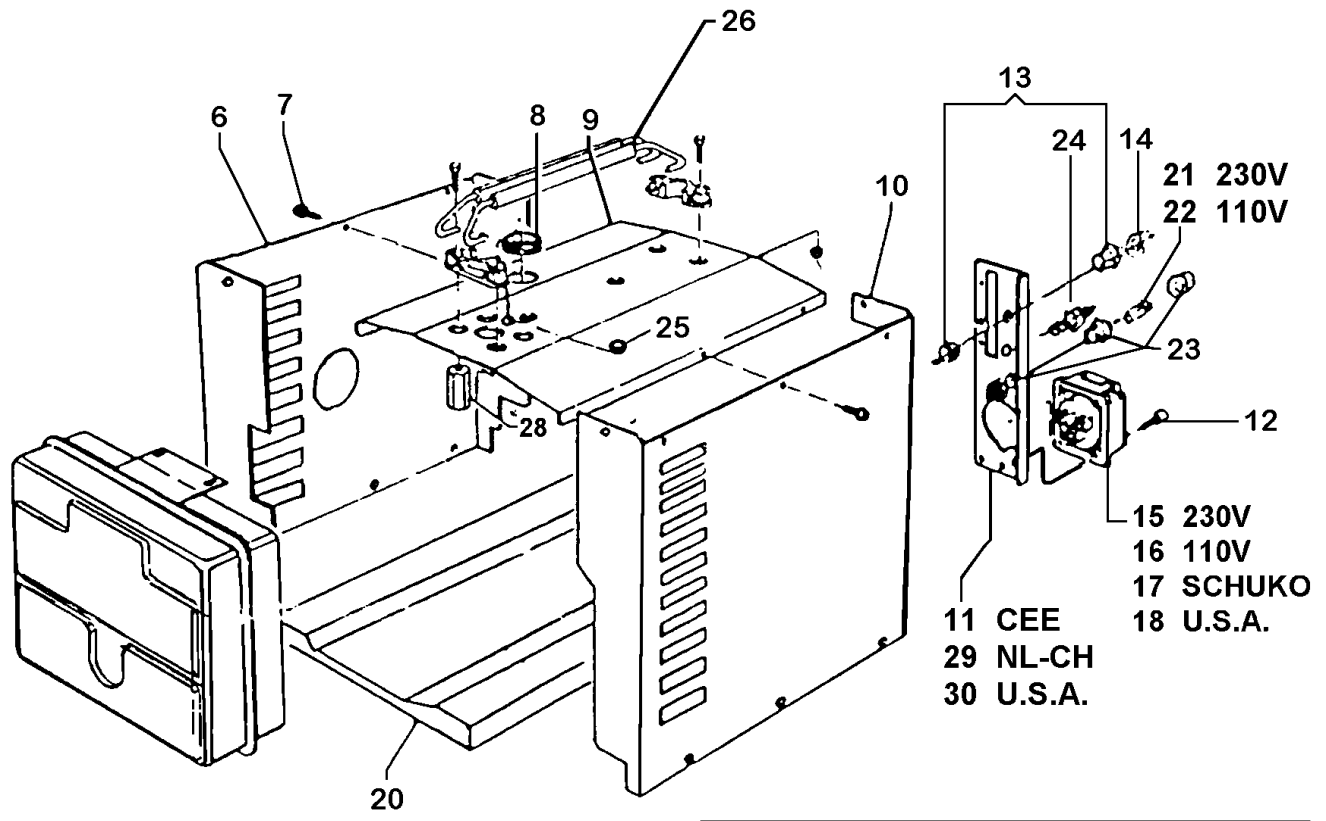


Tavole Ricambi

Modello AB MSG 200 EL

Tavola AB 10

Pos.	Rev.	Cod.	Descr.	
1		101040537	SET,GASKETS	
3		101132100	WELDING CABLE SET K 180	
4		101302430	CARTRIDGE, AIR FILTER	
5	9.003	<i>Manca la descrizione aggiuntiva</i>	Manuale
7		101131550	PLUG	
8		101045210	ELECTRODE HOLDER	
9		101045220	EARTH CLAMP	
11	A	'000370040	<i>Manca la descrizione aggiuntiva</i>	Non più fornibile
12		'000373038	PULLER, ROTOR	
13		'000373039	WRENCH, ROTOR RING	
14		'000373037	PULLER, ALTERNATOR BODY	
15		'000373036	PULLER, FLYWHEEL, MAGNETO	
16	A	'000070008	WRENCH ALLEN STARTER BLOCKING	Non più fornibile
17		6887/F	WRENCH,ALLEN,HEX.SCREW,6MM.	
18		6887/E	WRENCH,ALLEN,HEX.SCREW,5MM.	
19		6887/A	WRENCH,ALLEN,HEX.SCREW,4MM.	



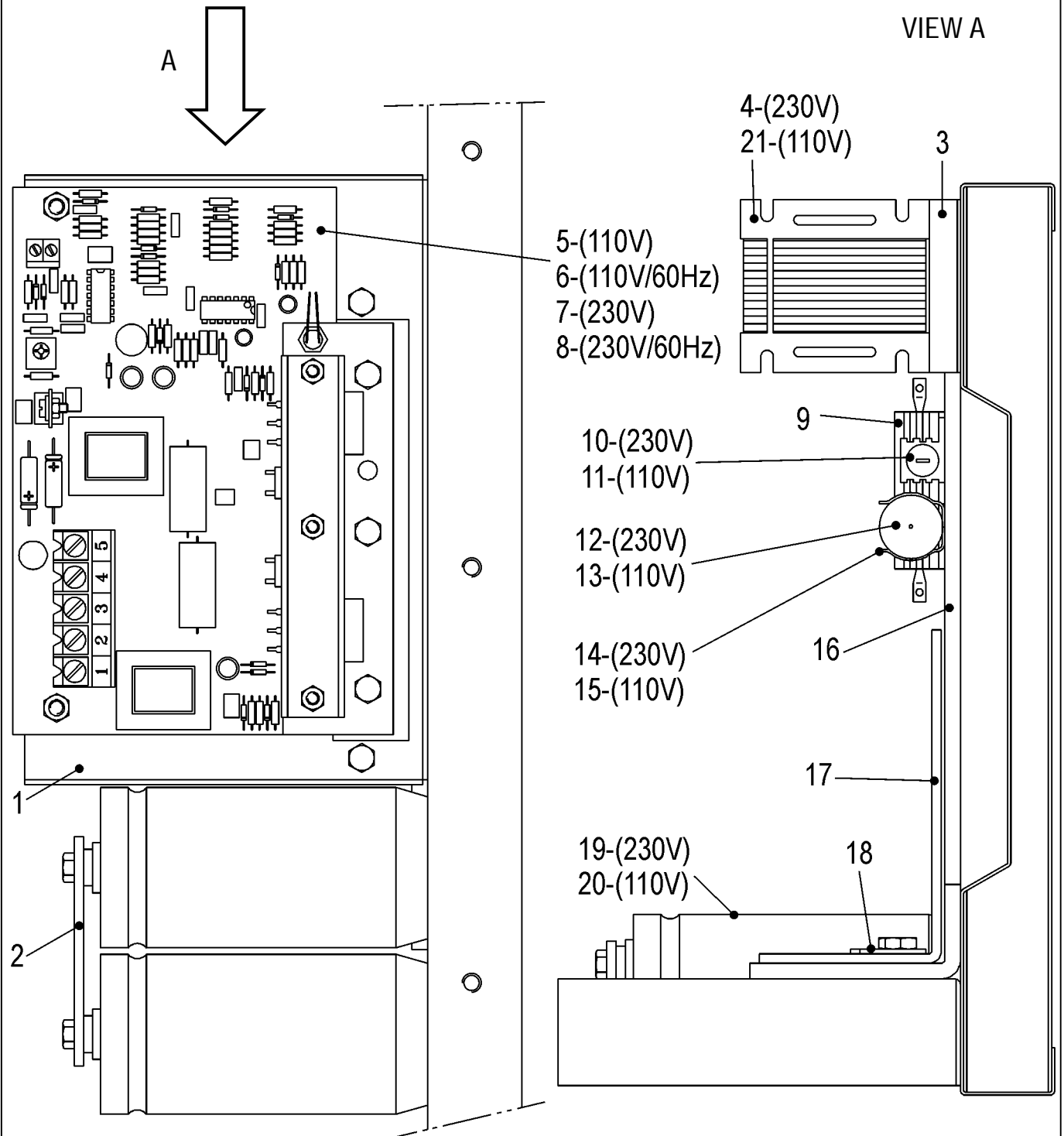
Tavole Ricambi

Modello AB MSG 200 EL

Tavola AB 11

Pos.	Rev. Cod.	Descr.	
1	101254050	FUEL TANK	
2	6086010	SPRING	
3	101043970	GAS PIPE (L=MT.1)	QM
4	101302570	TAP, FUEL	
5	6023030	NUT	
6	201490503	COVER,TANK SIDE	
7	6018010	SCREW	
8	1030050	GROMMET	
9	201490504	TOP COVER	
10	201490502	COVER,CONDENSER SIDE	
11	201490505	SOCKET SUPPORT	CEE
12	6005020	SCREW	
13	101091830	BUTTON, STOP	
14	101091840	CAP	
15	307017240	EEC SOCKET 16A, 220V 2P+T	
16	307047250	SOCKET 110V 16A	
17	218097241	SCHUKO SOCKET UNEL 220V 16A	
18	101171120	SOCKET 115V 15A (SINGLE PHASE)	U.S.A.
19	101302550	FUEL TANK	
20	201491050	BASE	
21	1291180	FUSE	230V
22	1291090	FUSE	110V
23	103011320	HOLDER, FUSE	
25	1031010	GROMMET	
26	101301070	HANDGRIP	
27	101302560	CAP, FUEL TANK	
28	201308039	CONNECTING CYLINDER	
29	201510505	SOCKET SUPPORT (NL-CH)	NL-CH
30	201530505	<i>Manca la descrizione aggiuntiva</i>	U.S.A.
31	222307315	COMMUTATOR	

VIEW A

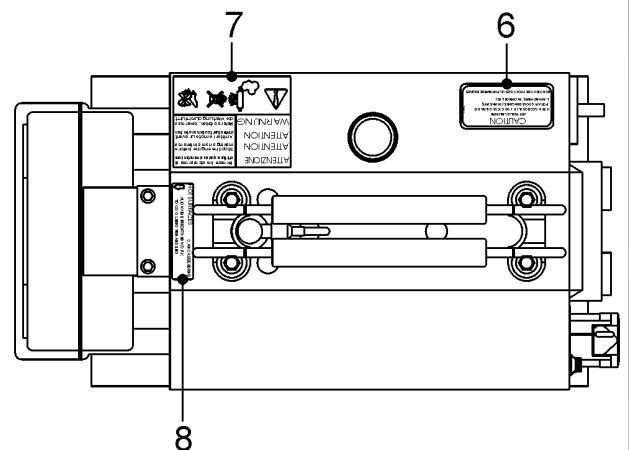
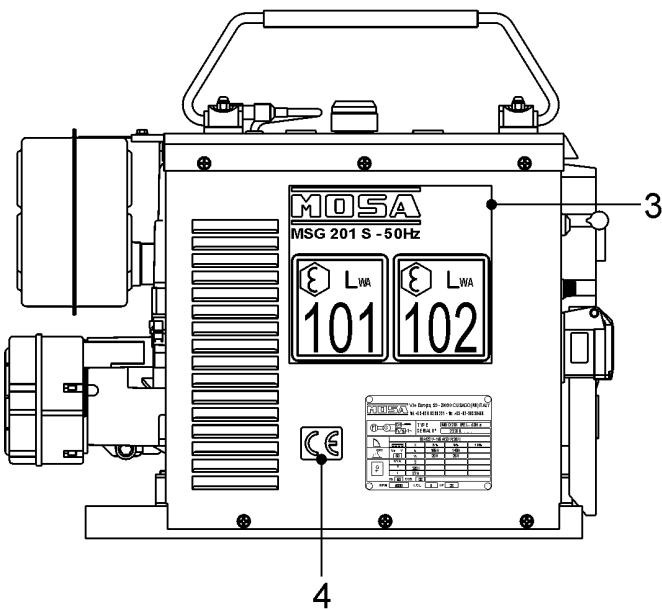
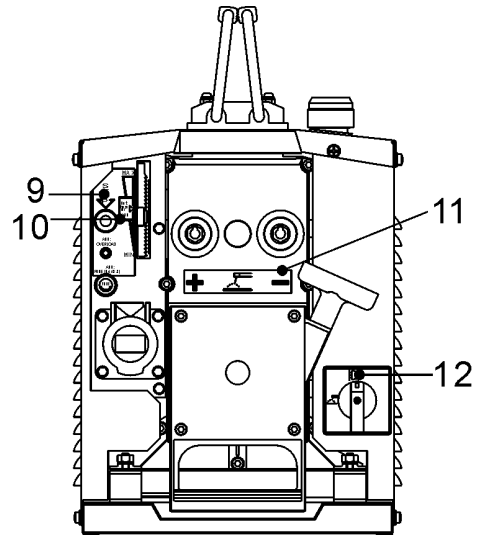
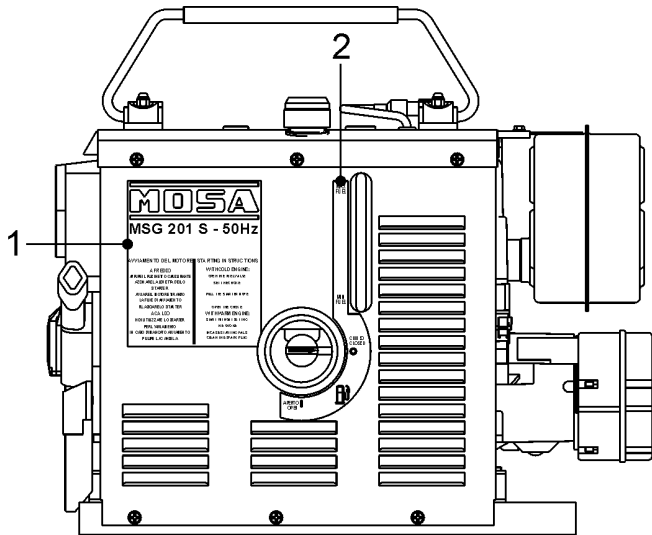


Tavole Ricambi

Modello **AB** **MSG 200 EL**

Tavola **AB** **12**

<i>Pos.</i>	<i>Rev. Cod.</i>	<i>Descr.</i>	
1	201499654	ELECTRIC BOX,CARD PROTECTION	
2	201499041	BRIDGE LINK	
3	201499874	BRACKET	
4	201504100	REACTANCE (110V)	110V
5	201509660	AUXILIARY CARD(110V 50Hz)	110V 50Hz
6	201539660	AUXILIARY CARD 110V - 60HZ	110V 60Hz
7	201499660	AUXILIARY,CARD(230V 50Hz)	230V 50Hz
8	201549660	AUXILIARY CARD (230V-60HZ)	230V 60Hz
9	1286150	RESISTANCE	
10	1286170	RESISTANCE	230V 50Hz
11	1286180	RESISTANCE (VERS.110V)	110V 50Hz
12	1261090	CONDENSER	230V
13	1261290	CONDENSER (VERS.110V)	110V
14	1262030	CLAMP	230V
15	1262060	CLIPS X CONDENSER (VERS.110V)	110V
16	201499652	DISSIPATOR	
17	201499651	DISSIPATOR	
18	201499658	BRACKET	
19	1260580	CONDENSER	230V
20	1260590	CONDENSER	110V
21	201494100	REACTANCE	230V

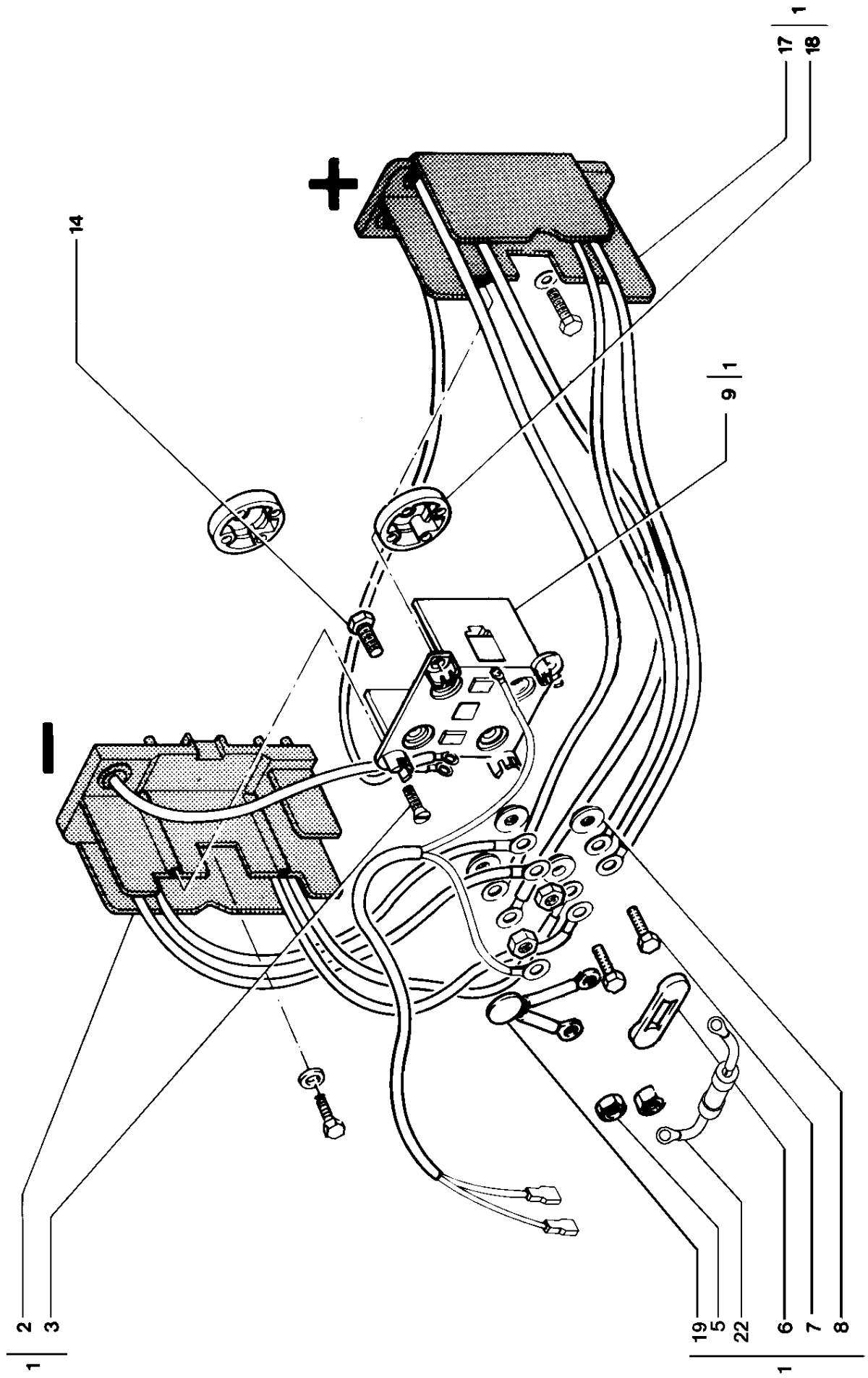


Tavole Ricambi

Modello **AB** **MSG 200 EL**

Tavola **AB** **14**

<i>Pos.</i>	<i>Rev. Cod.</i>	<i>Descr.</i>	
1	101490188	STARTER LABEL	
2	101490201	FUEL LEVEL LABEL	
3	101490189	STICKER "MOSA"	
4	219860237	STICKER "C E"	
6	101253040	STICKER "CAUTION" X FUEL TANK	
7	700400250	STICKERS "ATTENTION"	
8	101093060	HOT EXHAUST WARNING LABEL	
9	101490220	WELDER REGULATOR LABEL	
10	201500224	SET AUX LABEL	
11	222200212	WELDING SOCKETS LABEL	
12	222300274	COMMUTATOR STICKER	

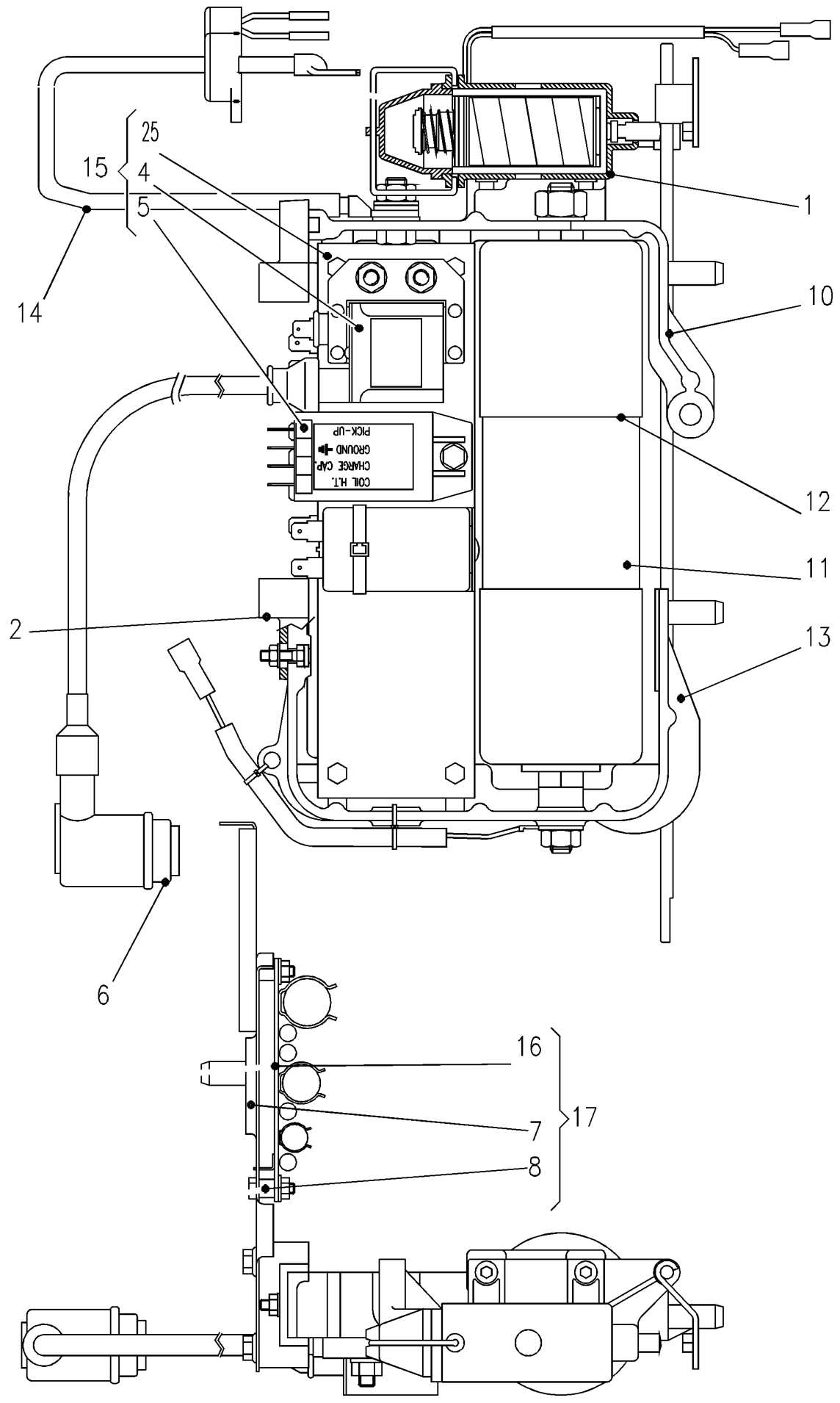


Tavole Ricambi

Modello **AF** **MS 200 S**

Tavola **AF** **3**

<i>Pos.</i>	<i>Rev. Cod.</i>	<i>Descr.</i>	
1	222200552	DISSIPATOR SET	COMPLETO
2	222200550	DIDDIPATOR WITH DIODE (-)	NEG.
3	6016140	SCREW	
5	6025050	NUT	
6	101301180	CAP	
7	6002040	SCREW	
8	101301220	BUSHING	
9	101301040	COVER, CONTACTS	
14	6002050	SCREW	
17	222200551	DISSIPATOR WITH DIODE (+)	POS.
18	101301160	WASHER	
19	101301370	SUPPRESSOR	
22	101252350	RESISTOR, BALLAST	



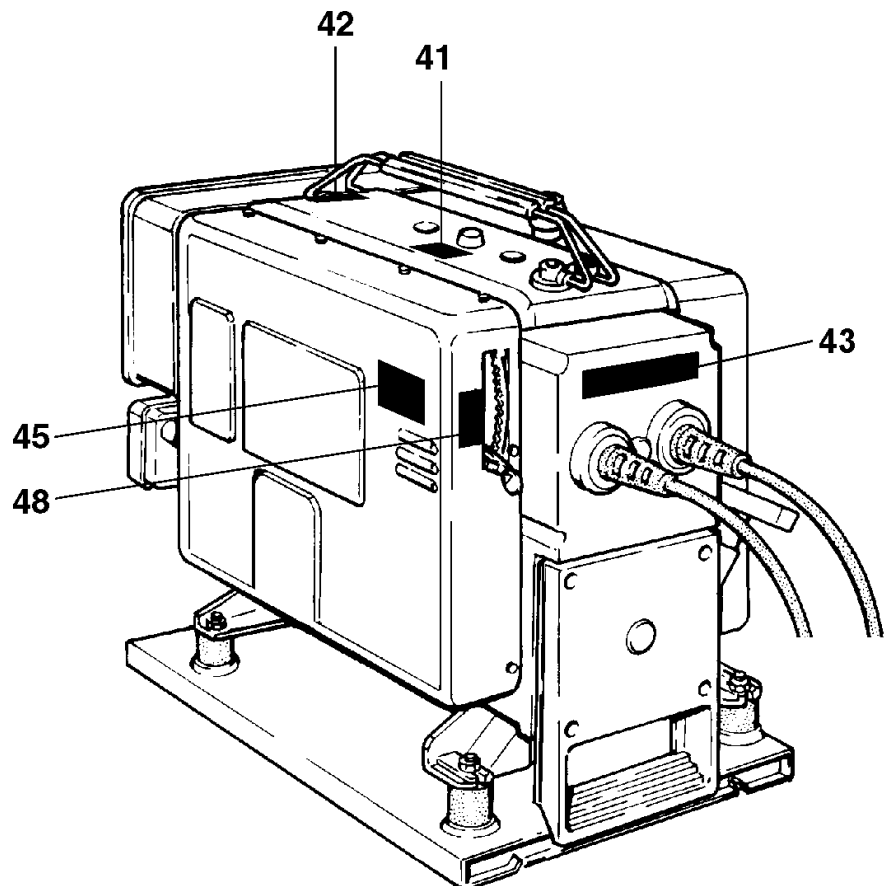
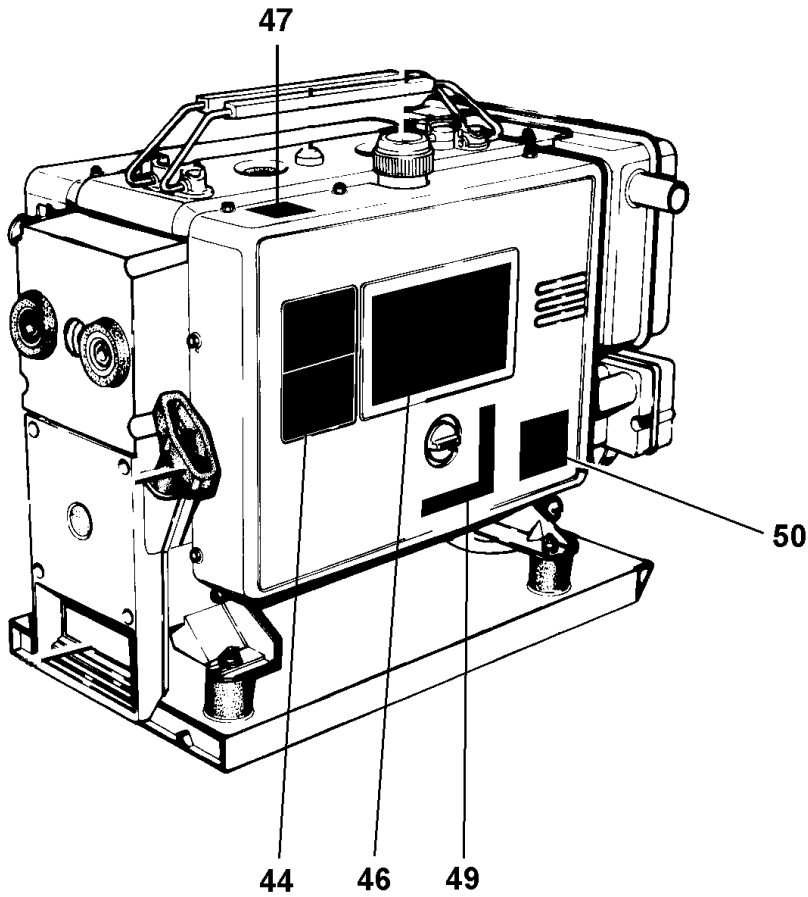
Tavole Ricambi

Modello **AF** **MS 200 S**

Tavola **AF** **7**

Pos. *Rev. Cod.* *Descr.*

1		101045600	SOLENOID
2		101091340	BLOCK, SPACING
4		101301880	COIL, HIGH VOLTAGE
5		101301890	IGNITION ELECTRONIC
6		101174930	CAP, SPARK PLUG
7		101301080	FRAME
8		102302060	SPACER
10		101091320	CONDUCTOR
11		101044610	CONDENSER 80 MF
12		101201970	CAP, INSULATING
13		101091330	CONDUCTOR
14		101351610	CABLE 48V
15		222200554	STARTER SET
16		201499835	EXCITATION CARD
17		'0000201499834	EXCITATION CARD FRAME
25		222200553	STARTER PLATE SET



Tavole Ricambi

Modello **AF** **MS 200 S**

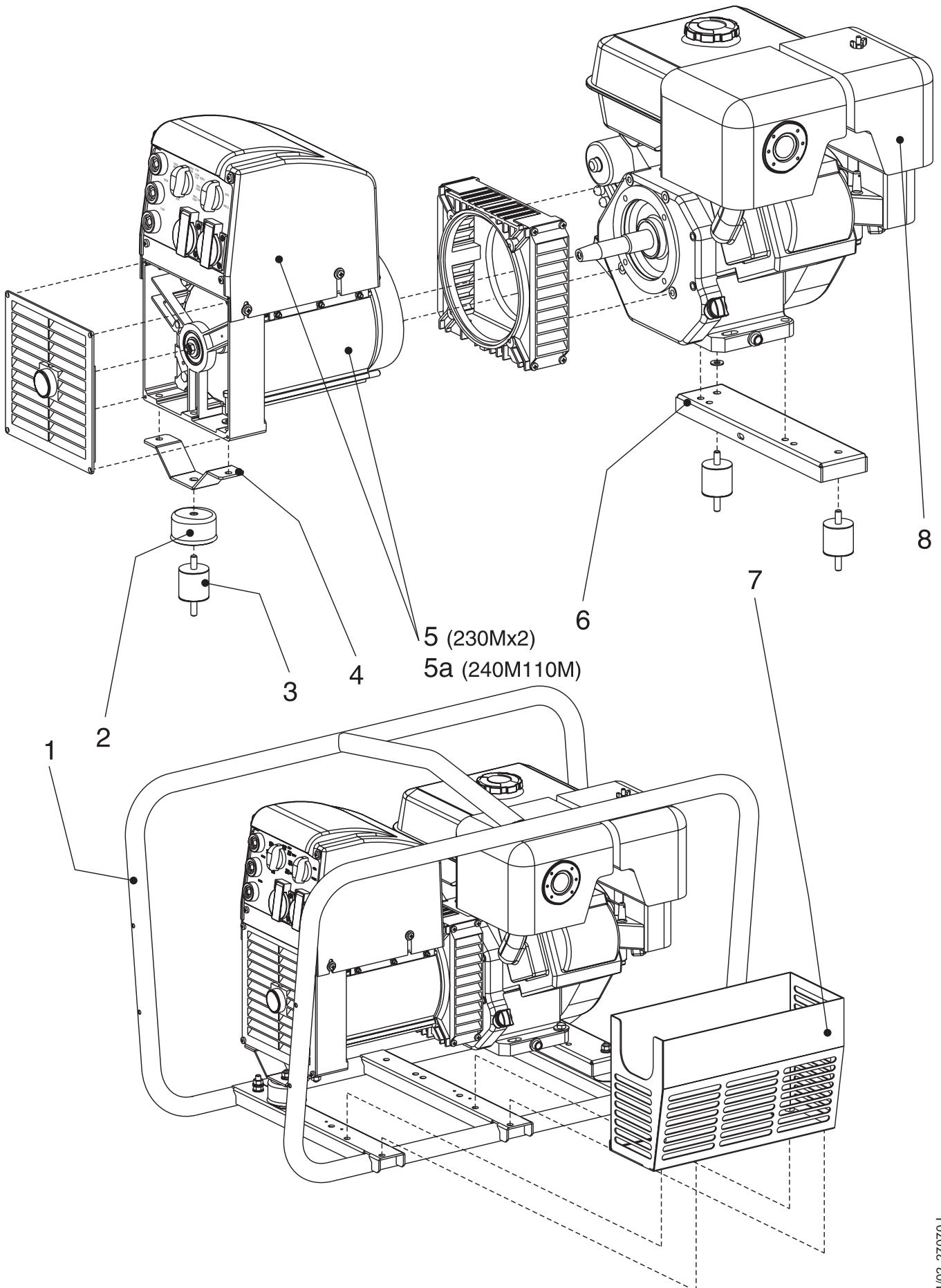
Tavola **AF** **9**

<i>Pos.</i>	<i>Rev. Cod.</i>	<i>Descr.</i>	
41	101093040	STOP DECAL	
42	101093060	HOT EXHAUST WARNING LABEL	
43	222200212	WELDING SOCKETS LABEL	
44	101600188	STARTER INSTRUCTIONS LABEL	
45	204130237	STICKER "CE"	
46	222200183	MODEL LABEL	
47	101253040	STICKER "CAUTION" X FUEL TANK	
48	222200220	"WELDER REGULATOR" LABEL	
49	101600201	SIDE TANK LABEL	
50	700400250	STICKERS "ATTENTION"	

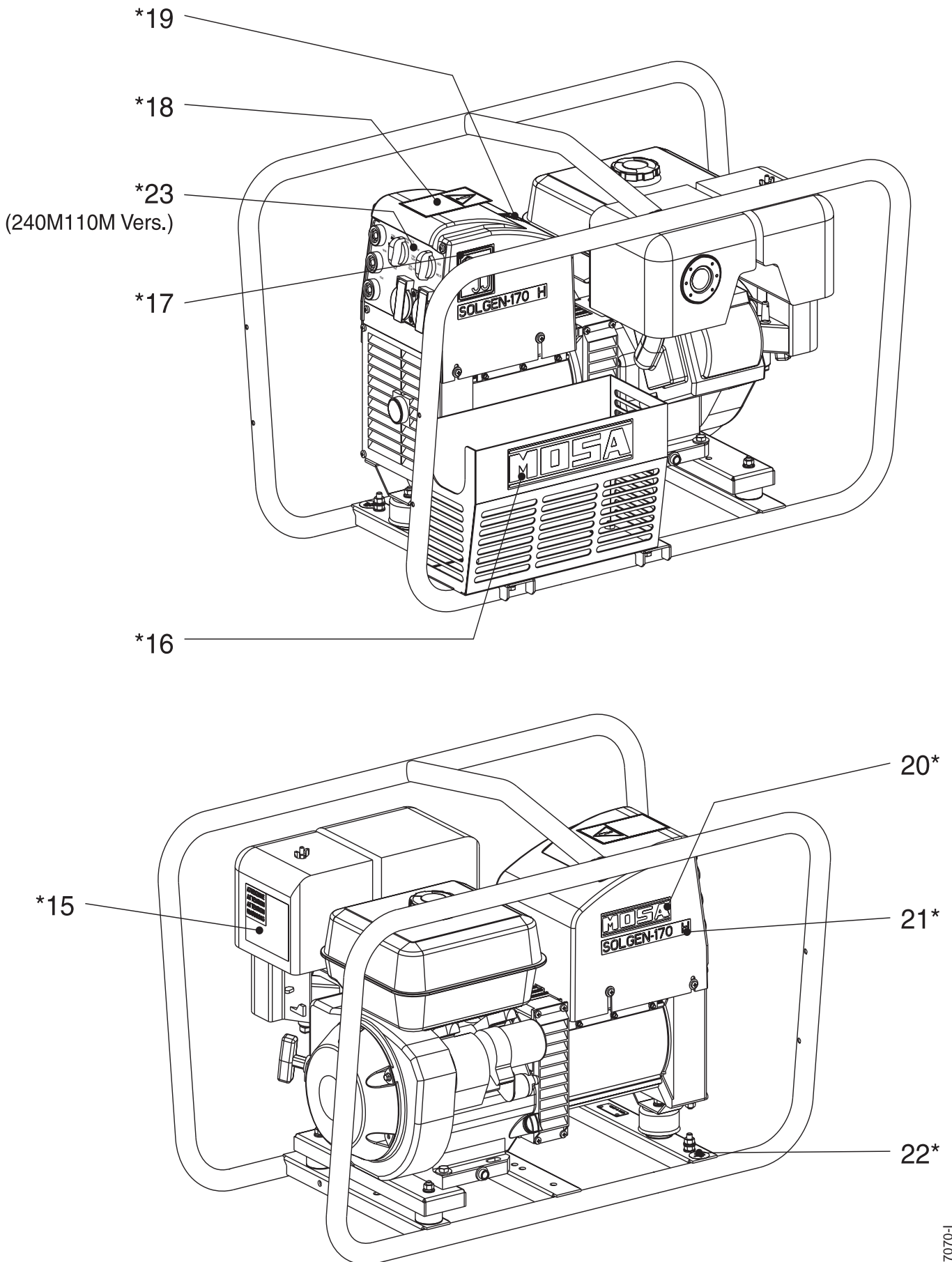
MOSA

SOLGEN 170 H





<i>Pos.</i>	<i>Rev. Cod.</i>	<i>Descr.</i>	<i>Note</i>
1	270701050	FRAME	
2	307012037	PROTECTION, VIBRATION-DAMPER	
3	102041250	VIBRATION-DAMPER	
4	259103101	ALTERNATOR SUPPORT BRACKET	
5	270703100	ALTERNATOR	Compl. (vers. 230Mx2)
5 a	A 270713100	ALTERNATOR	Compl. (vers. 240M110M)
6	232122035	BRACKET	
7	232129185	HOLDER	
8	306412200	HONDA ENGINE GX270	



<i>Pos.</i>	<i>Rev.</i>	<i>Cod.</i>	<i>Descr.</i>	<i>Note</i>
15		700400250	STICKERS "ATTENTION"	
16		218010194	STICKERS "MOSA"	
17	A	256280196	STICKERS "NOISE LEVEL"	era 252510196
18		734500253	STICKER "INSTRUCTIONS MANUAL"	
19		734500250	STICKER ELECTRICAL VOLTAGE	
20		208010204	STICKER "MOSA"	
21		270700183	STICKERS MACHINE MODEL	
22		207400207	STICKER "EARTH"	

MOSA

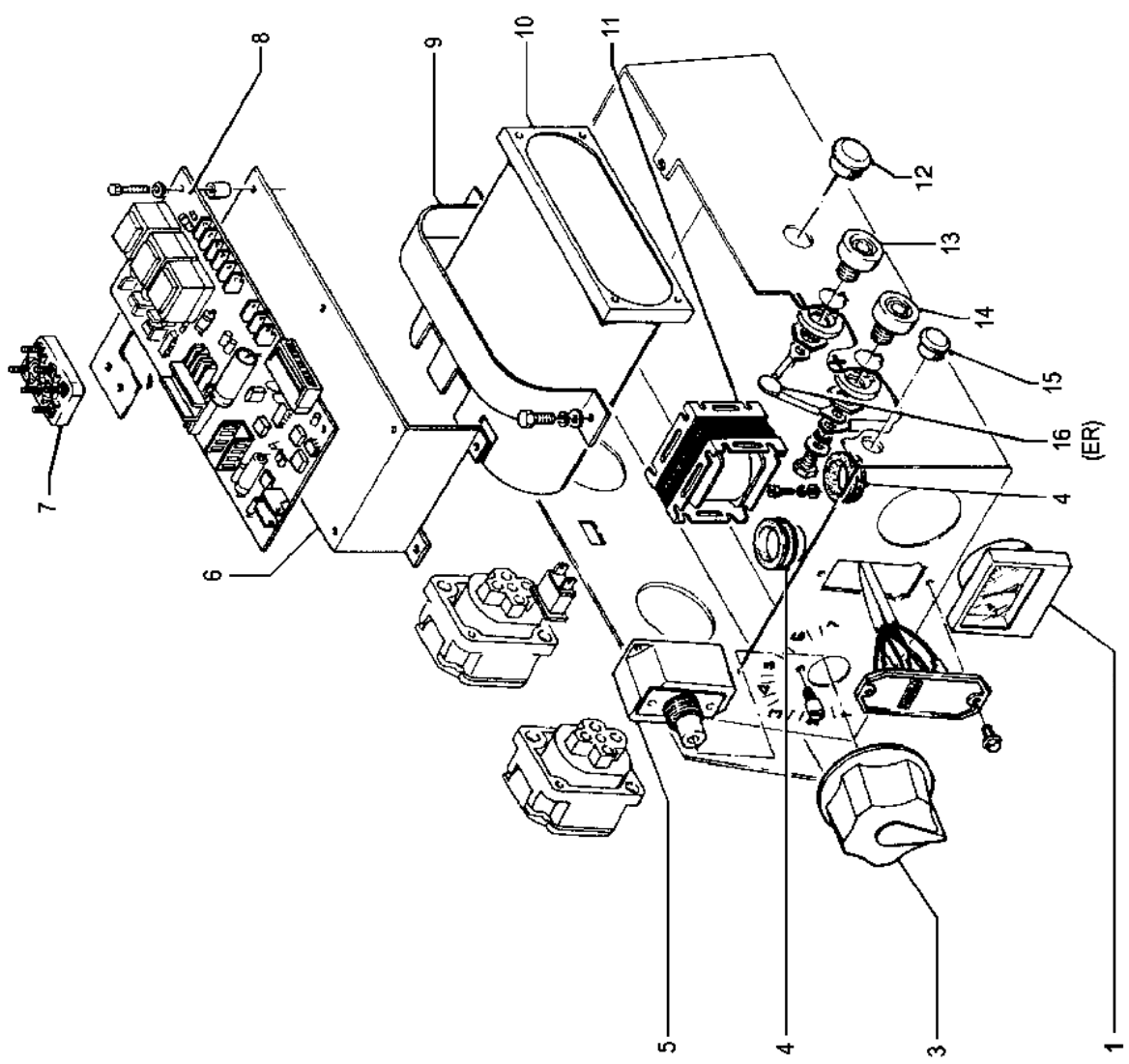
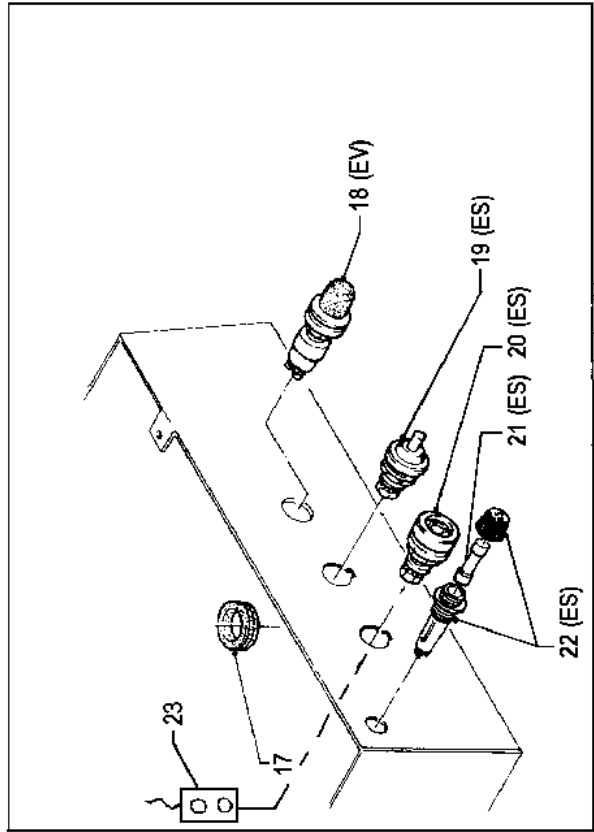
TS 180 D/EL

TS 181 BS-BES/EL

TS 181 DS/EL

TS 200 BS/EL - ELP



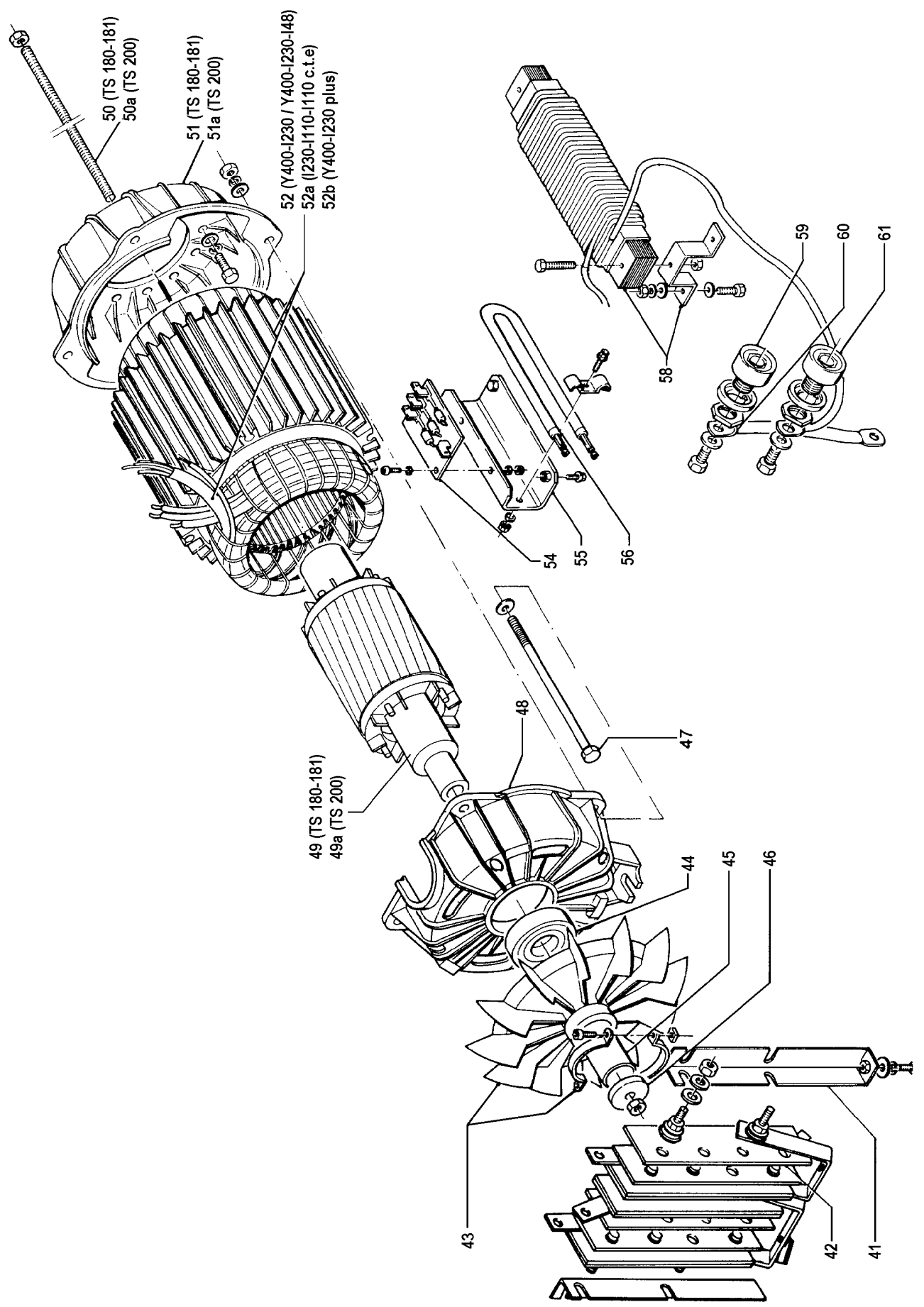


Tavole Ricambi

Modello CB TS 181 BS/E

Tavola CB 1

Pos.	Rev.	Cod.	Descr.	
	a	103101140	VOLTMETER	(vecchia versione GB)
	a	105111550	VOLTMETER FS 500V	(vecchia verssione SW)
1		103011310	VOLTMETER	
3		107509702	KNOB,WELDING CURRENT REGULAT.	
4		1030060	GROMMET	
5		107509715	POTENTIOMETER	(Compl.)
6		208019801	BRACKET	
7		218017226	TERMINAL BOARD	
8		208019800	PCB, WELDING CONTROL	
9		307017037	BRACKET	
10		107509880	CAPACITOR BOX 3x65	
11		107509870	AUXILIARY TRANSFORMER	
12		6062130	CAP	
13		101131220	SOCKET	(-)
14		106021220	SOCKET, STARTER (+)	(+)
15		6062080	CAP,	
16		208019011	SUPPRESSOR PROT. DIODE BRIDGE	(ER)
17		1030030	GROMMET	
18		102042520	BUTTON, STARTER	(EV)
19		105311740	DINSE SOCKET	(ES)
20		106021220	SOCKET, STARTER (+)	(ES)
21	a	1291180	FUSE	(ES)
22		103011320	HOLDER, FUSE	(ES)
23		105311780	DISSIPATOR WITH AUTODIODE	

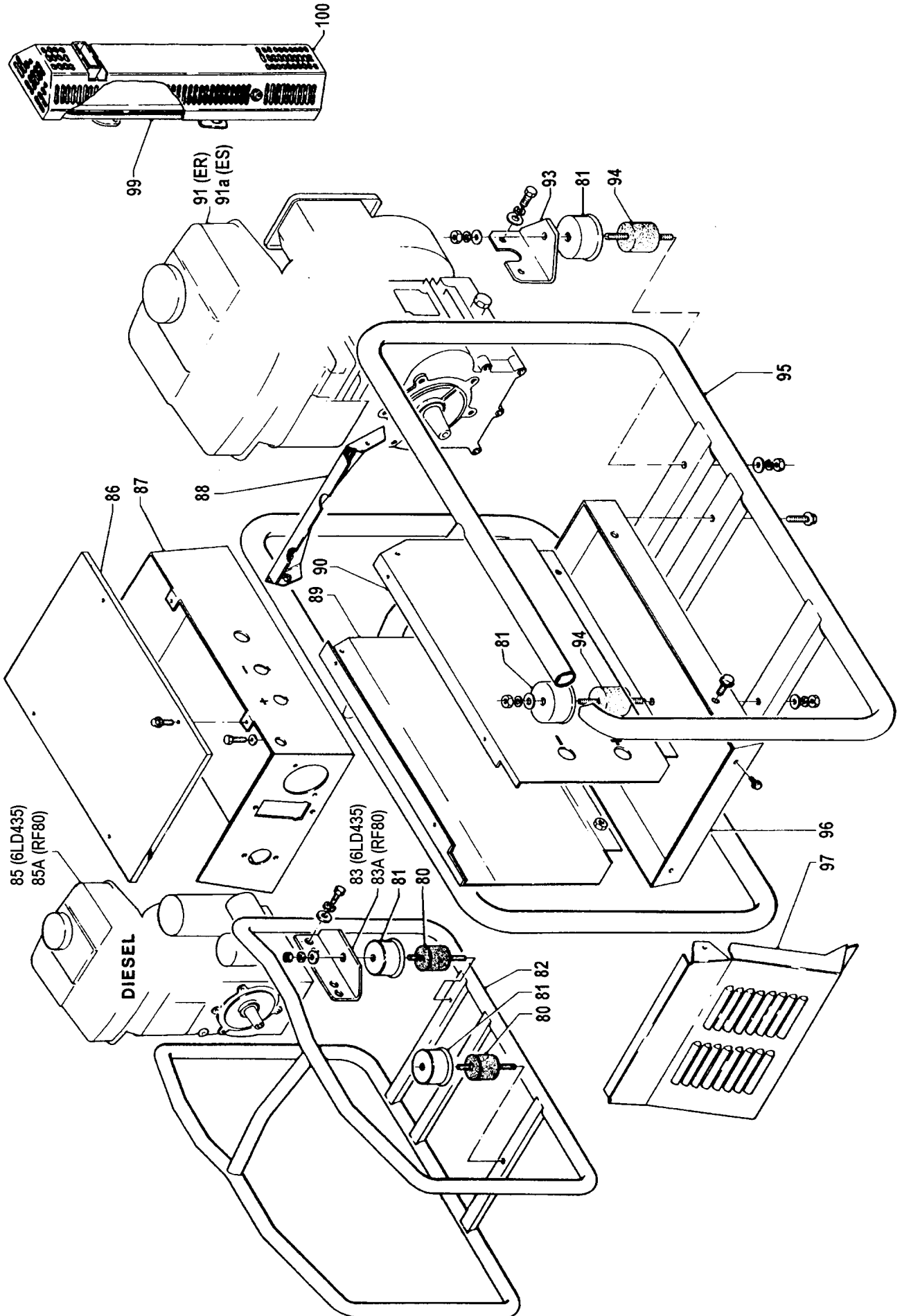


Tavole Ricambi

Modello **CB** TS 181 BS/E

Tavola **CB** 2

<i>Pos.</i>	<i>Rev. Cod.</i>	<i>Descr.</i>	
	a	102047016	CLIP
41		208015041	BRACKET
42		208015100	DIODE BRIDGE ASSY
43		105111290	FAN
44		1001030	BEARING
45		105311370	SPACER
46		105311380	WASHER
47		107011280	TIE - ROD
48		105913045	FLANGE, ALTERNATOR HOLDER
49		208013030	SHAFT WITH ROTOR (TS 180-181)
49 A		232123030	SHAFT WITH ROTOR (TS 200)
50		208013036	TIE-ROD FOR SHAFT WITH ROTOR (TS 180-181)
50 A		232123036	TIE-ROD (TS 200)
51		105913040	FLANGE, ENGINE (TS 180-181)
51 A		232123040	FLANGE FIXING ENGINE (TS 200)
52		218013025	STATOR 380/220(48)-220/48V
52 A		218023025	STATOR
52 B		218053025	STATOR 380/220-380/380V
54		309509035	DIODES UNIT, PRITT (TS 181 - 200)
55		208109067	BRACKET
56		309509065	RESISTOR PRITT
58		208014100	REACTOR
59		102044400	WELDING SOCKET (-) (-)
60		208019890	SHUNT
61		102301310	WELDING SOCKET (+) (+)

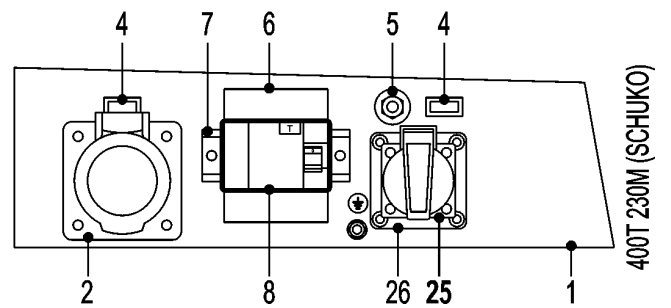
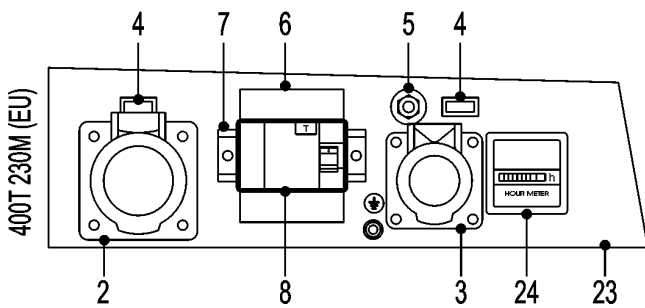
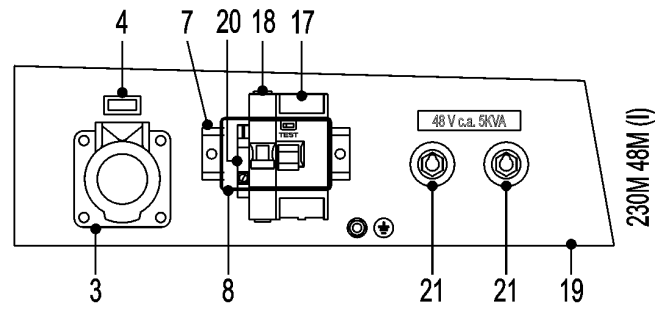
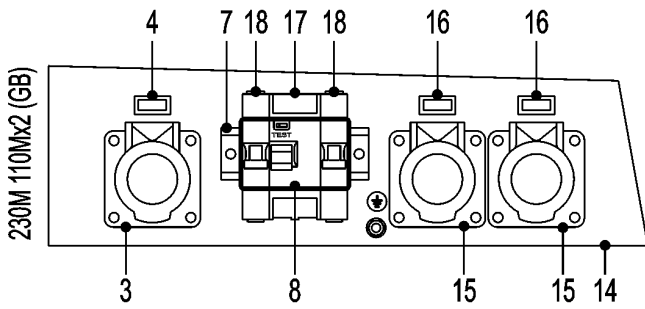
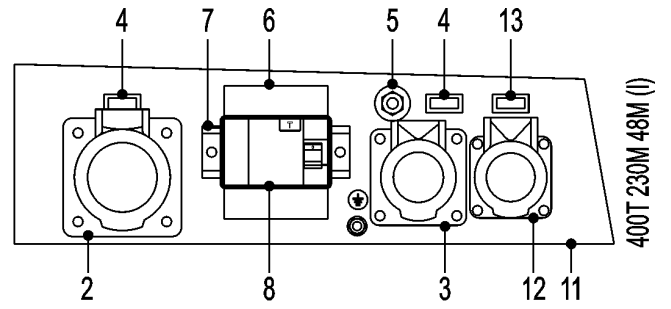
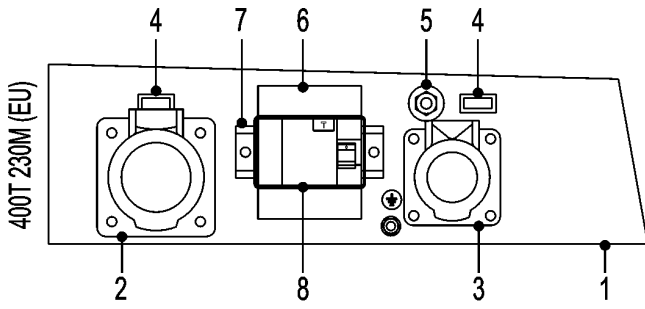


Tavole Ricambi

Modello CB TS 181 BS/E

Tavola CB 3

<i>Pos.</i>	<i>Rev. Cod.</i>	<i>Descr.</i>	
80	107011530	VIBRATION-DAMPER	
81	307012037	PROTECTION, VIBRATION-DAMPER	
82	208111050	PROTECTIVE FRAME (D)	
83	105311110	ENGINE BRACKET	(RF 80)
83 A	107191210	BRACKET, LOMBARDINI ENGINE	(6 LD 435)
85	211412200	ENGINE 6LD435 EEC	(6 LD 435)
85 A	105311400	RUGGERINI ENGINE RF80	(RF 80)
86	208017015	COVER 380/220 V	
87	218017010	ELECTRIC BOX	
88	211018247	PROTECTIVE PLATE	
89	208118015	SIDE, LEFT, DIESEL	
90	208118010	SIDE, RIGHT, DIESEL	
91	221132200	IM359 MOTOR RESTYLING	(ER)
91 A	221732200	LOMBARDINI ENGINE IM359 EEC	(ES)
93	208012035	BRACKET	
94	102041250	VIBRATION-DAMPER	
95	208011050	PROTECTIVE FRAME (GASOLINE)	
96	208018205	CASE, BOTTOM HALF	
97	211418235	SCREEN, AIR INLET	
99	221012050	MUFFLER	
100	221012058	HEAT PROTECTION MUFFLER	



Tavole Ricambi

Modello **CB** **TS 181 BS/E**

Tavola		CB	4
<i>Pos.</i>	<i>Rev. Cod.</i>	<i>Descr.</i>	
1		232127020	FRONT PANEL 400/230 EU
2		305907270	EEC SOCKET 16A 400V 3P+N+T
3		307017240	EEC SOCKET 16A, 220V 2P+T
4		1302220	WARNING LIGHT 220V
5		155307107	THERMAL SWITCH
6		105111540	See part no. 219937105
7		232027036	FIXING GUIDE
8		232027130	CAP
11		232137020	FRONT PANEL 400/230/48
12	a	218137280	EEC SOCKET 48V 32A
13		1302080	WARNING LIGHT FOR 48V
14		232027020	FRONT PANEL 230/2x110
15		307047250	SOCKET 110V 16A
16		1302160	WARNING LIGHT 110V
17		220237105	See Part n°256007105
18		317807325	See p/n 734507325
19		232037020	FRONT PANEL 230/48
20		1241010	PLATE
21		101131220	SOCKET (NERA)
23		232207020	FRONT PANEL 400/230
24		105511810	HOURLY METER
25	a	208097245	PLUG, SCHUKO 220V
26		220097032	PLATE

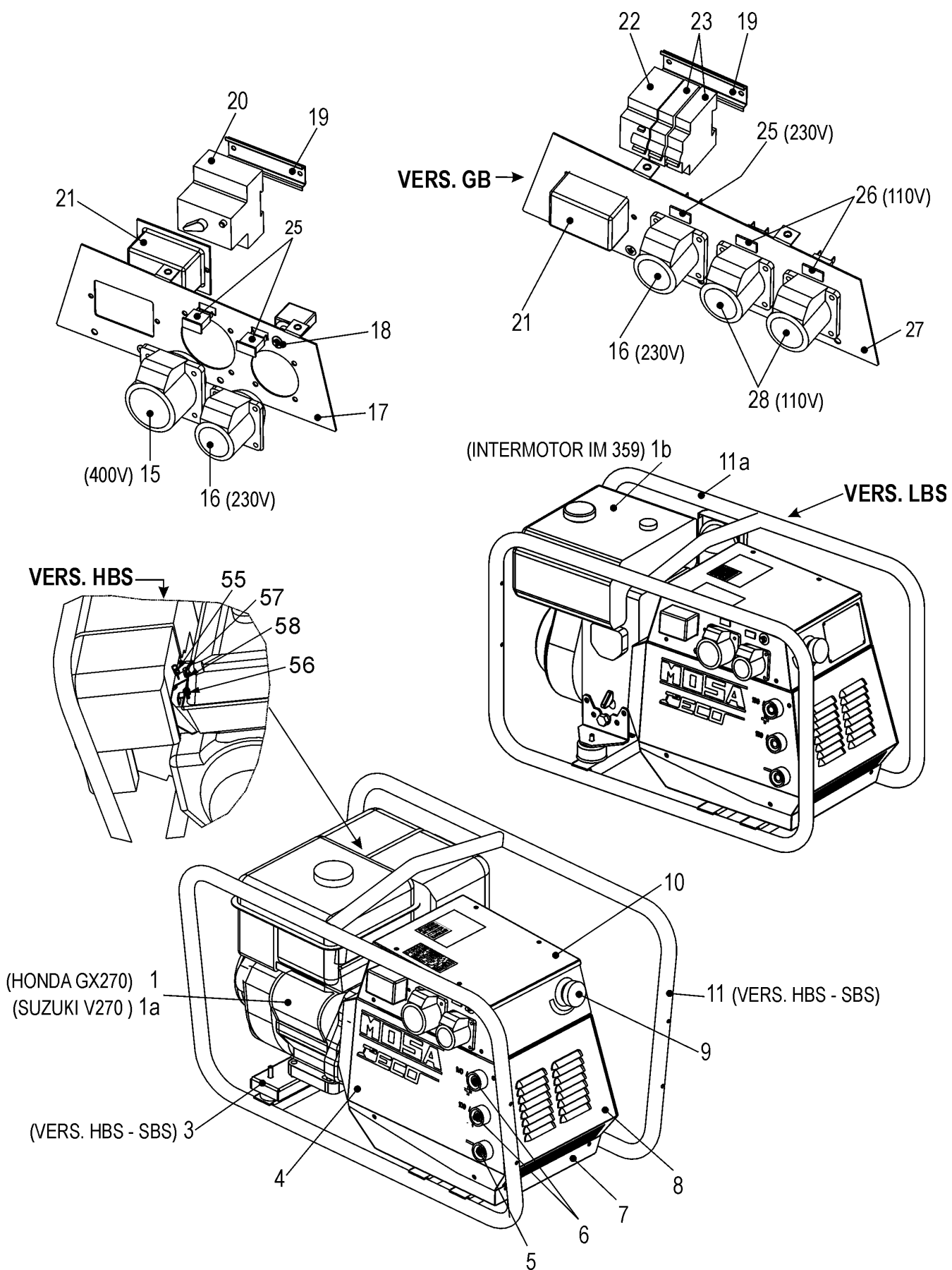
MOSA

TS ECO HBS

TS ECO LBS

TS ECO SBS



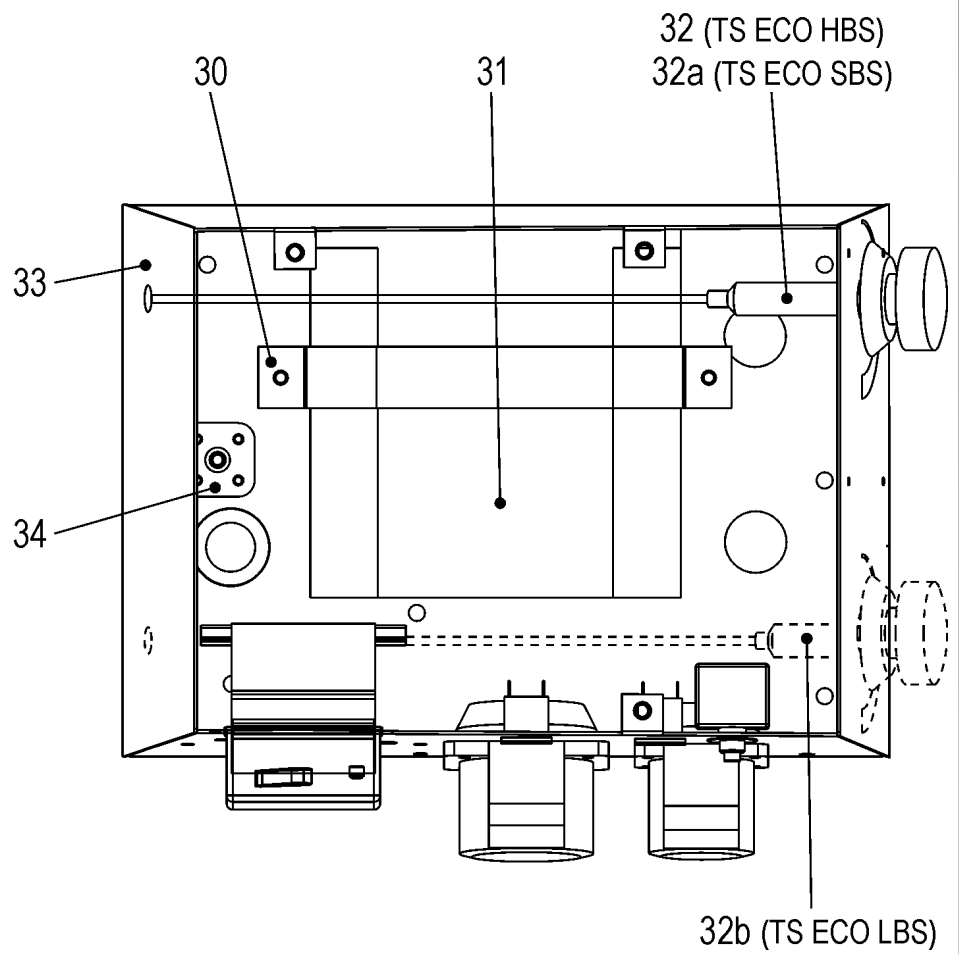
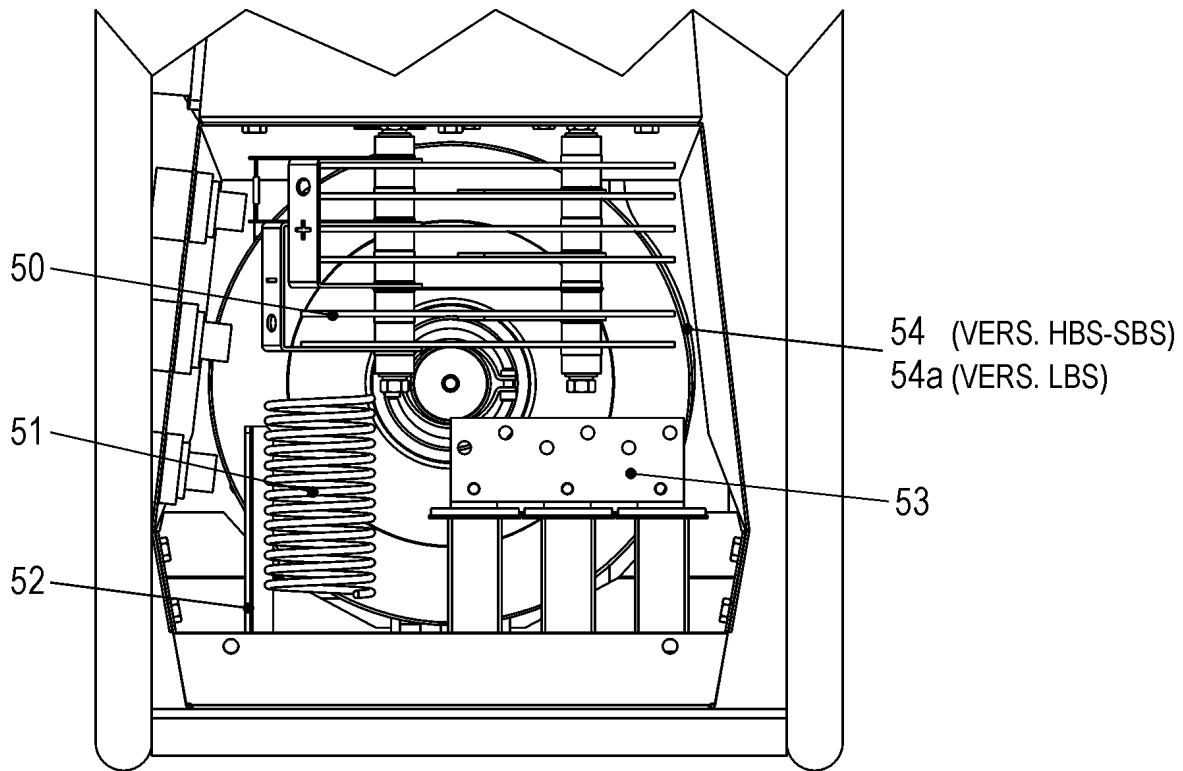


Tavole Ricambi

Modello **CF** **TS ECO BS/HBS/SBS**

Tavola **CF** **4**

<i>Pos.</i>	<i>Rev.</i>	<i>Cod.</i>	<i>Descr.</i>	
1		306412200	HONDA ENGINE GX270	vers.HBS
1 A		254512200	SUZUKI ENGINE V270	vers. SBS
1 b	a	254562200	LOMBARDINI ENGINE IM359	vers. LBS
3		272502035	ENGINE SUPPORT BRACKET	vers. HBS - SBS
4		271708005	COVER	
5		102301310	WELDING SOCKET (+)	pos. Rossa
6		102044400	WELDING SOCKET (-)	neg. Nera
7		271708205	CASE,BOTTOM HALF	
8		271708235	GRATE,AIR INLET	
9		109019702	HAND GRIP	
10		271707015	COVER,ELECTRICAL BOX	
11		271721050	FRAME	vers. HBS - SBS
11 a	a	271701050	PROTECTIVE FRAME	vers. LBS
15		305907270	EEC SOCKET 16A 400V 3P+N+T	trifase
16		307017240	EEC SOCKET 16A, 220V 2P+T	monofase
17	a	271707020	FRONT PANEL	vers. 400/230
18		155307107	THERMAL SWITCH	
19		232027036	FIXING GUIDE	
20		105111540	See part no. 219937105	vers. 400/230
21		232027130	CAP	
22		317807325	See p/n 734507325	
23		220237105	See Part n°256007105	vers. 230/110/110
25		1302220	WARNING LIGHT 220V	
26		1302160	WARNING LIGHT 110V	
27	a	271717020	FRONT PANEL	vers. 230/110/110
28		307047250	SOCKET 110V 16A	monofase

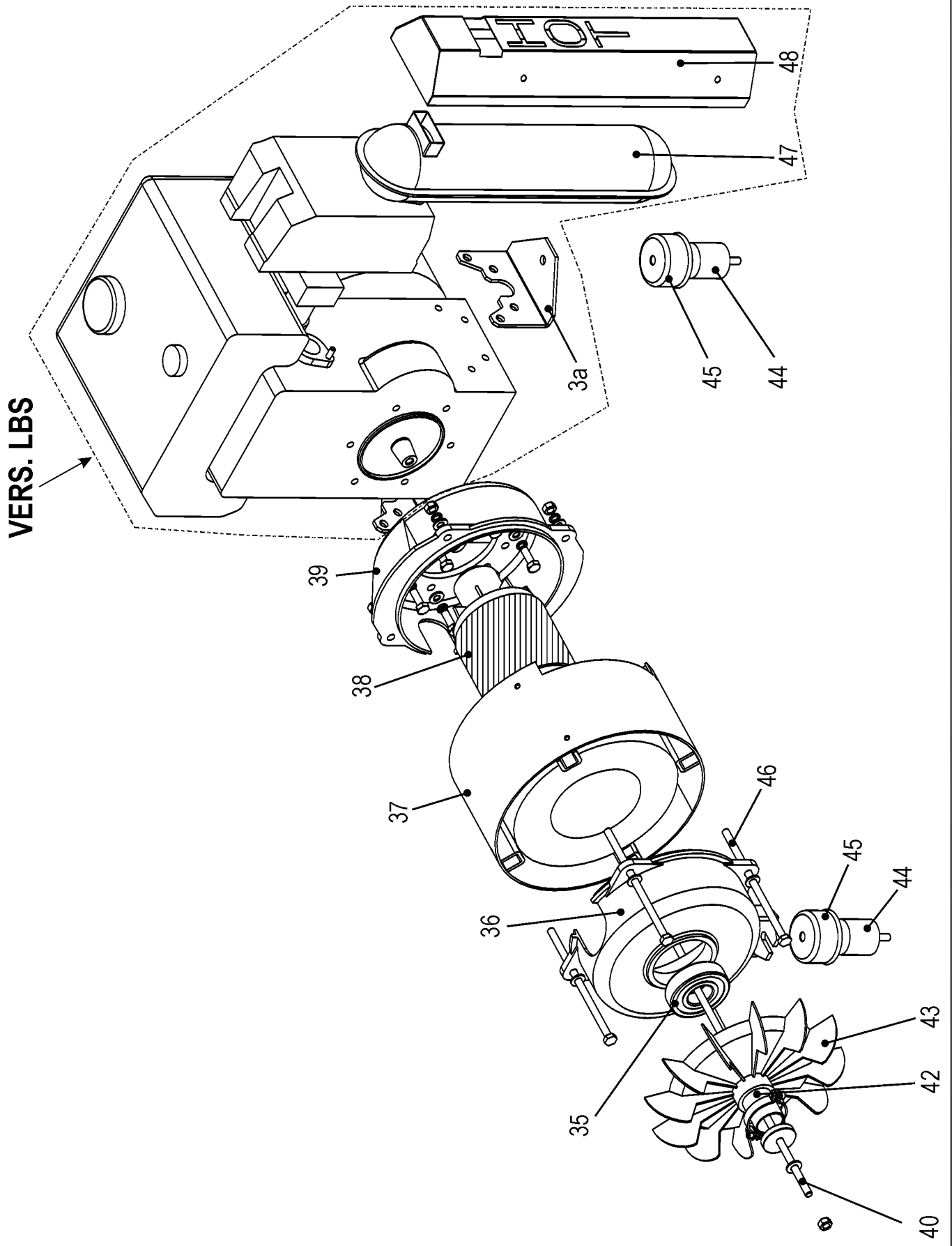


Tavole Ricambi

Modello **CF** **TS ECO BS/HBS/SBS**

Tavola **CF** **5**

<i>Pos.</i>	<i>Rev.</i>	<i>Cod.</i>	<i>Descr.</i>	
30		307017037	BRACKET	
31		307809880	CAPACITOR BOX 3X80 UF	
32	A	271729105	ACCELERATOR LEVER	vers. HBS
32 a		271749105	ACCELERATOR LEVER	vers. SBS
32 b	b	271709105	ACCELERATOR	vers. LBS
33	b	271747010	ELECTRICAL BOX	
34		218017226	TERMINAL BOARD	
50		271705100	DIODE BRIDGE ASSY	
51		271704010	RESISTOR	
52		271704020	SUPPORT	
53		271704120	RESISTOR THREE-PHASE	
54		271706010	AIR DUCT	vers. HBS - SBS
54 a	b	272506010	AIR DUCT	vers. LBS
55		271722305	SPRING	
56		271742244	TERMINAL	
57		271742252	STOP PAWL	
58		6056020	RING	

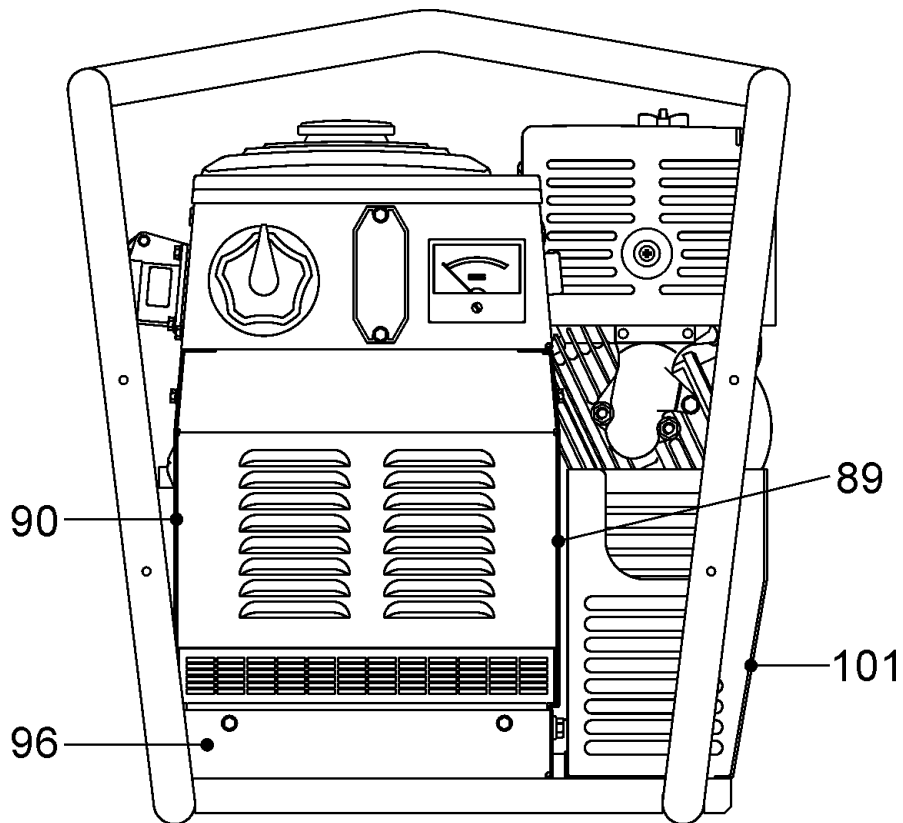
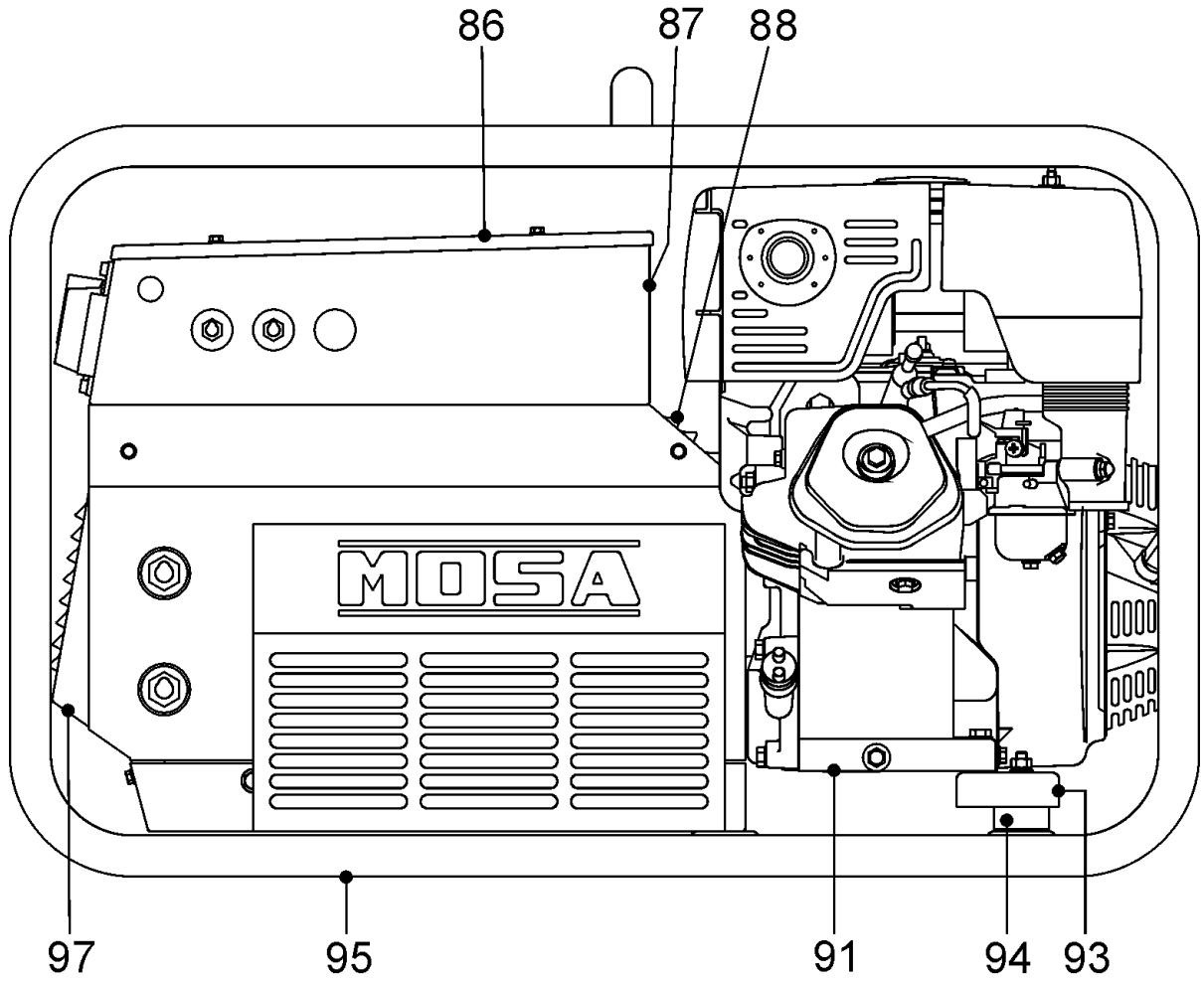


Tavole Ricambi

Modello **CF** **TS ECO BS/HBS/SBS**

Tavola **CF** **6**

<i>Pos.</i>	<i>Rev. Cod.</i>	<i>Descr.</i>	
3a	a	208012035	BRACKET vers. LBS
35		1001030	BEARING
36		105913045	FLANGE, ALTERNATOR HOLDER
37		271703025	STATOR
38		271723030	CRANK SHAFT
39		232123040	FLANGE FIXING ENGINE
40		271723036	CRANK SHAFT TIE-ROD
42		105311370	SPACER
43		105111290	FAN
44		102041250	VIBRATION-DAMPER
45		307012037	PROTECTION, VIBRATION-DAMPER
46		205313037	ROD, STATOR FIXING
47	a	221012050	MUFFLER vers. LBS
48	a	221012058	HEAT PROTECTION MUFFLER vers. LBS



Tavole Ricambi

Modello **CC** **TS 200 BS/EL**

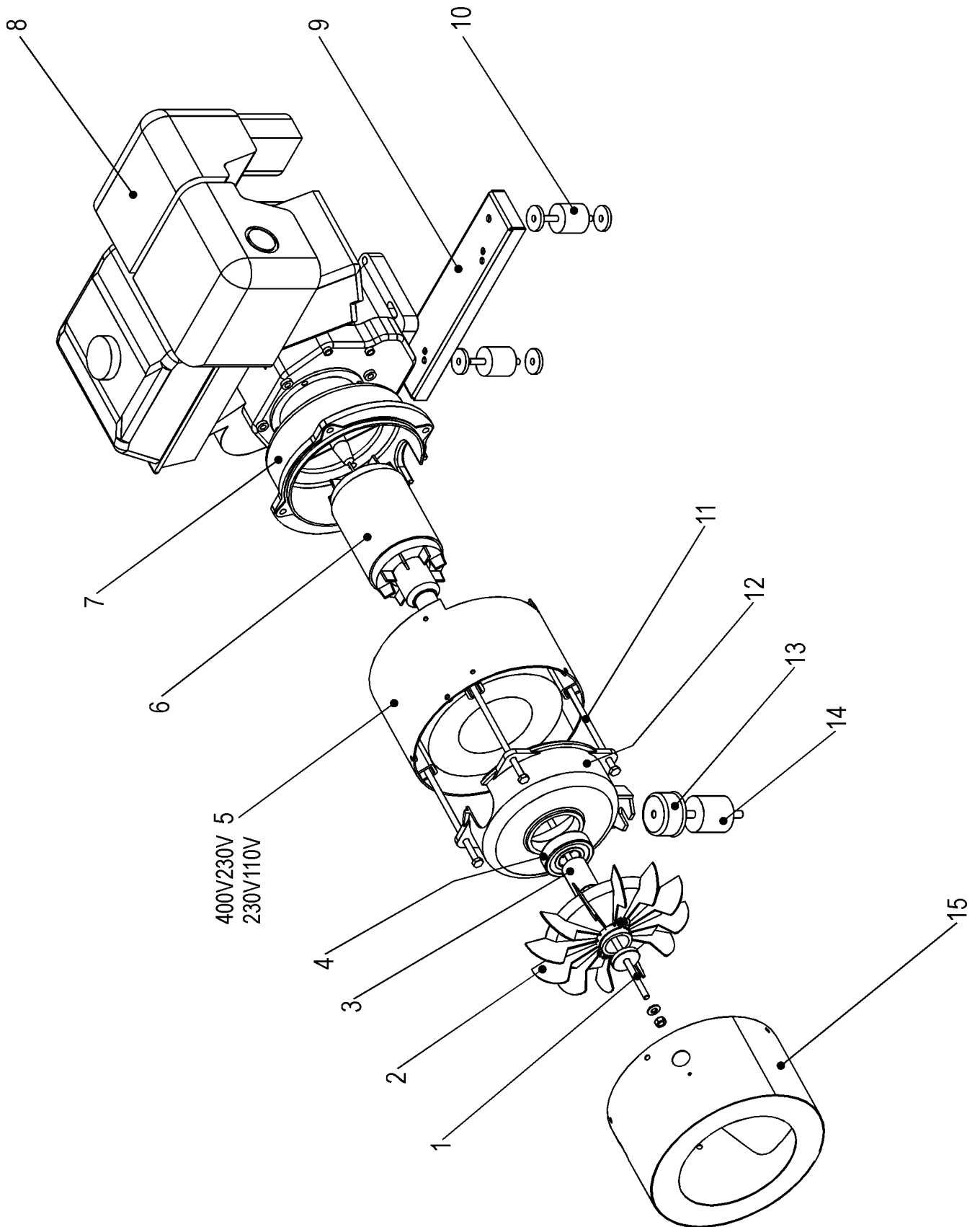
Tavola **CC** **2**

<i>Pos.</i>	<i>Rev. Cod.</i>	<i>Descr.</i>	
86		208017015	COVER 380/220 V
87		218017010	ELECTRIC BOX
88		211018247	PROTECTIVE PLATE
89		208118010	SIDE, RIGHT, DIESEL
90		208118015	SIDE, LEFT, DIESEL
91	a	272612200	HONDA ENGINE GX 390 K1 (VXB) vers. MOSA
93		232122035	BRACKET
94		102041250	VIBRATION-DAMPER
95		232121050	PROTECTIVE FRAME
96		208018205	CASE, BOTTOM HALF
97		211418235	SCREEN, AIR INLET
101		232129185	HOLDER

MOSA

TS 200 BS/CF



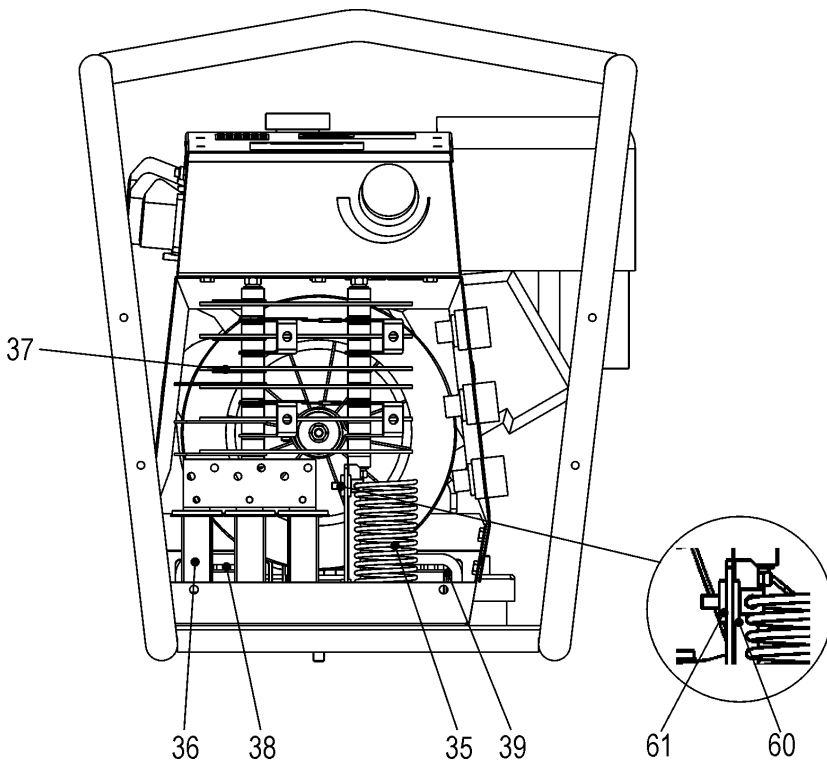
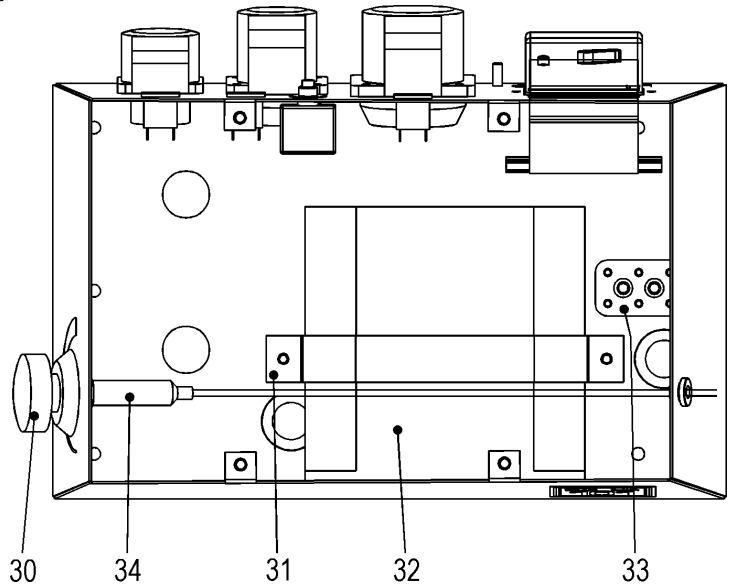
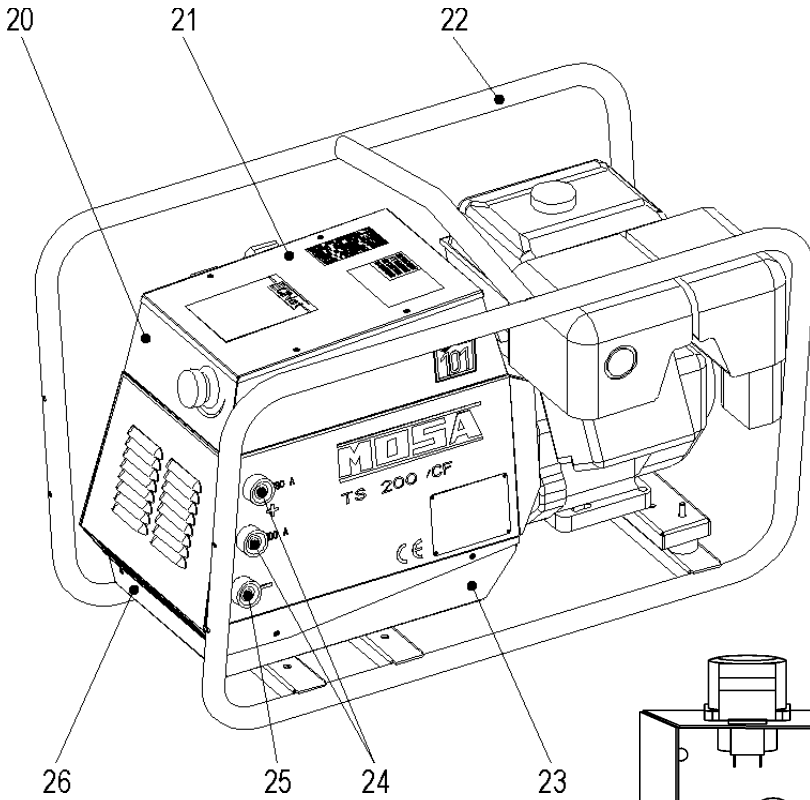


Tavole Ricambi

Modello **CG** **TS 200 BS/CF**

Tavola **CG** **1**

<i>Pos.</i>	<i>Rev. Cod.</i>	<i>Descr.</i>	
1	232123036	TIE-ROD	
2	105111290	FAN	
3	105311370	SPACER	
4	1001030	BEARING	
5	272703025	STATOR	
6	232123030	SHAFT WITH ROTOR	
7	232123040	FLANGE FIXING ENGINE	
8	212020225	STICKERS BONDED TO FRAME	(VERS.MOSA)
9	272502035	ENGINE SUPPORT BRACKET	
10	102041250	VIBRATION-DAMPER	
11	107011280	TIE - ROD	
12	105913045	FLANGE, ALTERNATOR HOLDER	
13	307012037	PROTECTION, VIBRATION-DAMPER	
14	105112020	VIBRATION DAMPER	
15	271706010	AIR DUCT	



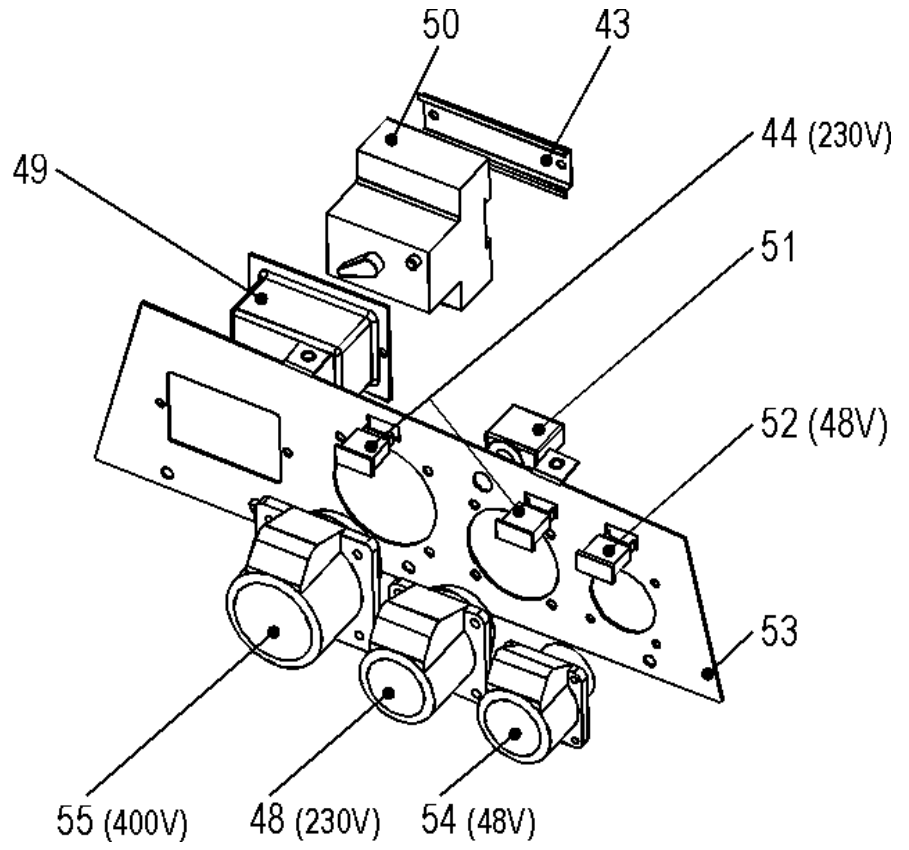
Tavole Ricambi

Modello CG TS 200 BS/CF

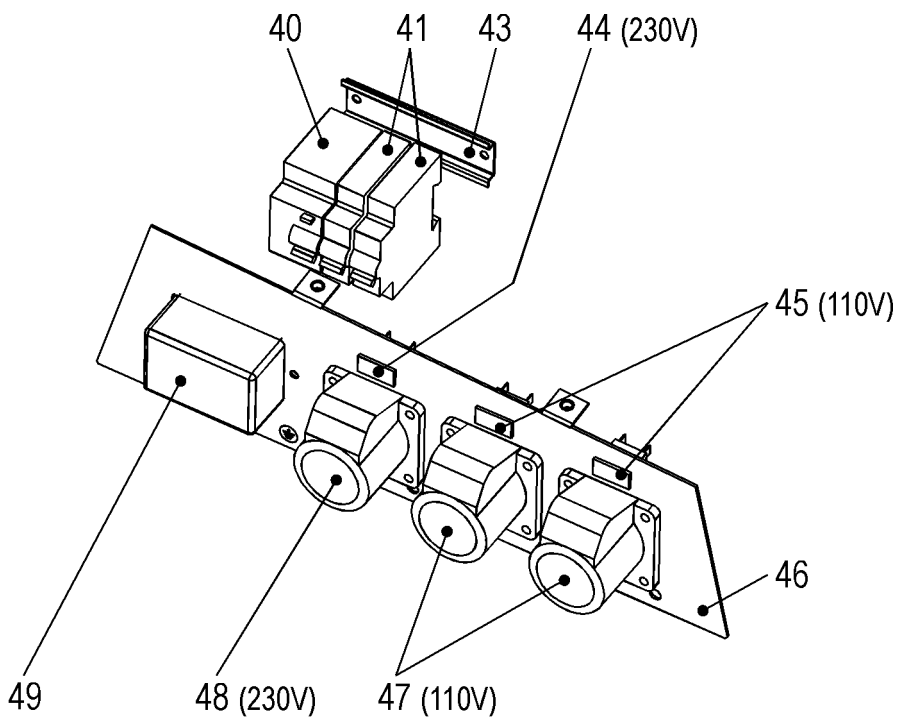
Tavola CG 2

<i>Pos.</i>	<i>Rev. Cod.</i>	<i>Descr.</i>	
20		272507010	ELECTRICAL BOX
21		272707015	COVER ELECTRICAL BOX
22		272501050	FRAME
23		272708205	CASE, BOTTOM HALF
24		102301310	WELDING SOCKET (+) (+)
25		102044400	WELDING SOCKET (-) (-)
26		272708235	INTAKE GRATE
27		272708005	FRAME
30		109019702	HAND GRIP
31		307017037	BRACKET
32		307809880	CAPACITOR BOX 3X80 UF
33		218017226	TERMINAL BOARD
34	b	272519105	THROTTLE CABLE
35		271704010	RESISTOR
36		272704120	REACTOR
37		272705100	DIODE BRIDGE ASSY
38		272704100	LEVEL REACTOR
39		220014100	COMPLETE REACTOR
60	A	107814013	WASHER
61	A	107815043	BUSH

EU VERSION



GB VERSION



Tavole Ricambi

Modello **CG** **TS 200 BS/CF**

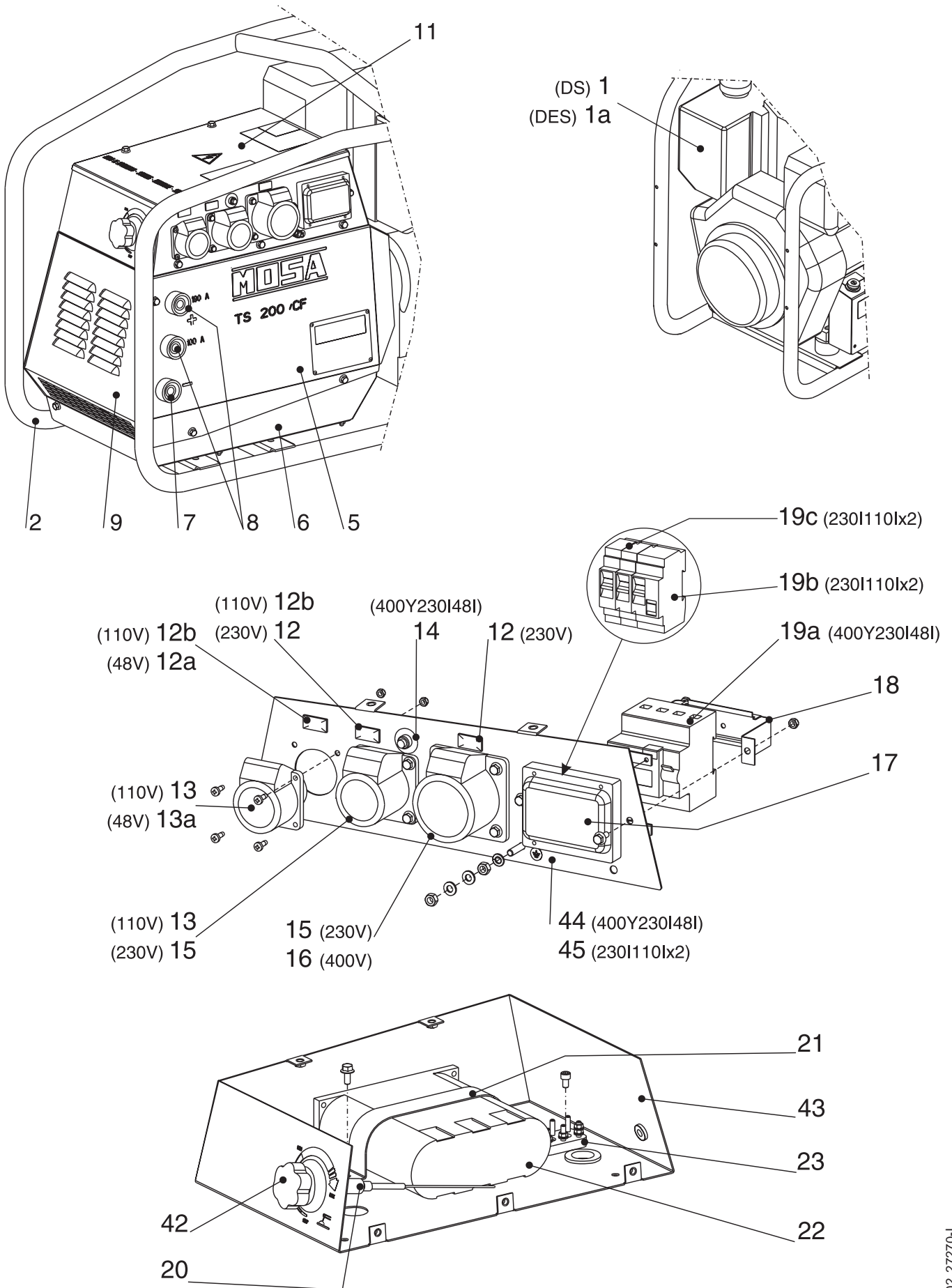
Tavola **CG** **3**

<i>Pos.</i>	<i>Rev. Cod.</i>	<i>Descr.</i>	
40	A	256007105	GROUNDFAULT INTERRUPTOR
41		105277325	MAGNETO SWITCH 20A
43		232027036	FIXING GUIDE
44		1302220	WARNING LIGHT 220V
45		1302160	WARNING LIGHT 110V
46		272517020	FRONT PANEL vers. GB
47		307047250	SOCKET 110V 16A
48		307017240	EEC SOCKET 16A, 220V 2P+T
49		232027130	CAP
50	A	219937105	GROUNDFAULT INTERRUPTOR (GFI)
51		306467107	THERMOPROTECTION (AUX)
52		1302080	WARNING LIGHT FOR 48V
53		272507020	FRONT PANEL vers. EU
54		218137280	EEC SOCKET 48V 32A
55		305907270	EEC SOCKET 16A 400V 3P+N+T

MOSA

TS 200 DS-DES/CF

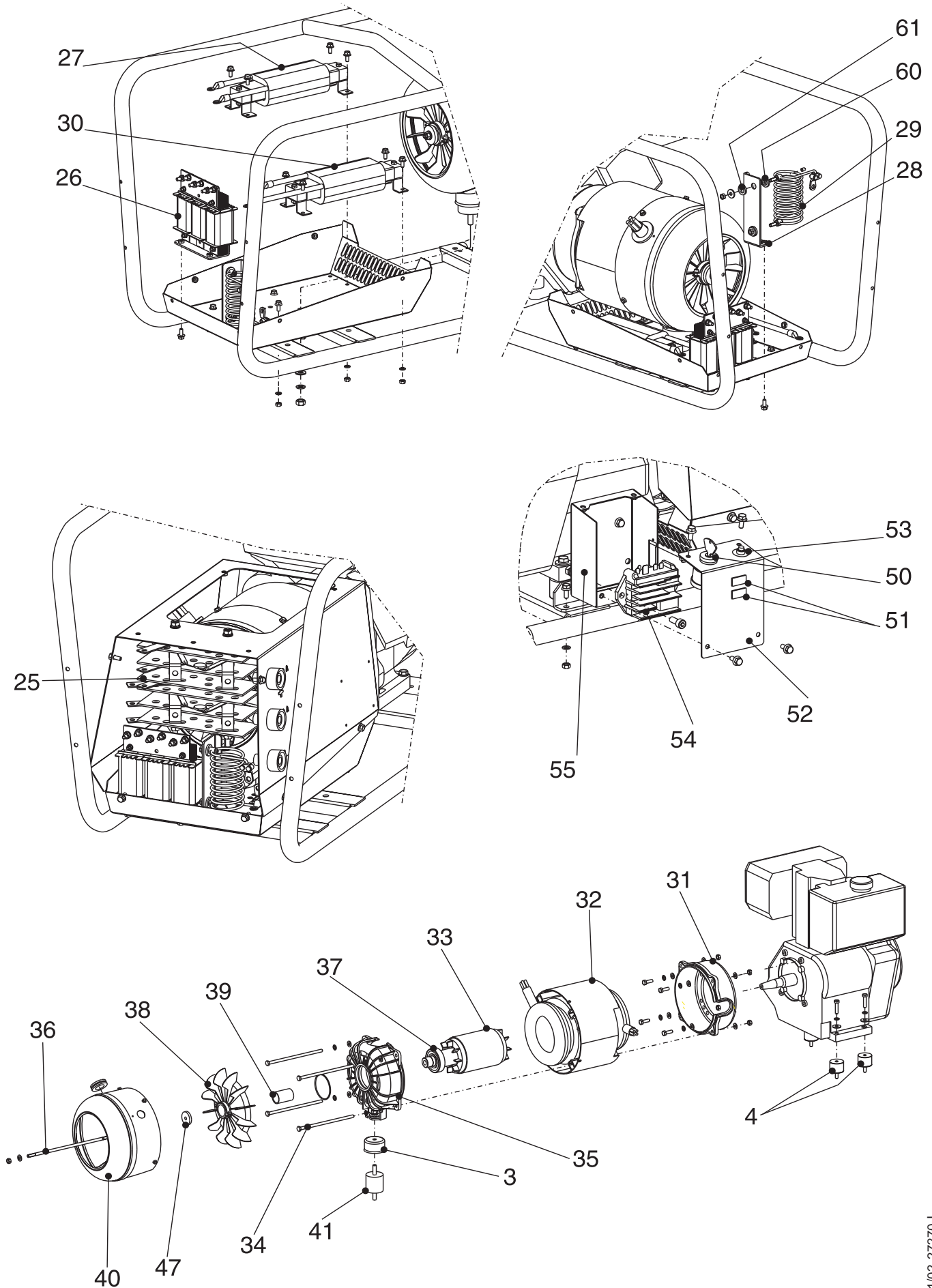




Tavole Ricambi

Modello **DR** **TS 200 DS-DES/CF**

Tavola		DR	1	
Pos.	Rev.	Cod.	Descr.	
1		272702200	YANMAR ENGINE L100AE-DG	vers. MOSA
1 a		272722200	YANMAR ENGINE L100AE-DEG	vers. MOSA
2		272701050	PROTECTIVE FRAME	
5		272708005	FRAME	
6		272708205	CASE, BOTTOM HALF	
7		102044400	WELDING SOCKET (-)	
8		102301310	WELDING SOCKET (+)	
9		272708235	INTAKE GRATE	
11		272707015	COVER ELECTRICAL BOX	
12		1302220	WARNING LIGHT 220V	
12 a		1302080	WARNING LIGHT FOR 48V	
12 b		1302160	WARNING LIGHT 110V	
13		307047250	SOCKET 110V 16A	monofase
13 a		218137280	EEC SOCKET 48V 32A	monofase
14		306467107	THERMOPROTECTION (AUX)	
15		307017240	EEC SOCKET 16A, 220V 2P+T	monofase
16		305907270	EEC SOCKET 16A 400V 3P+N+T	trifase
17		219937130	COVER GFI	
18		219937036	BRACKET	
19 a	A	219937105	GROUNDFAULT INTERRUPTOR (GFI)	vers. 400/230/48
19 b	A	256007105	GROUNDFAULT INTERRUPTOR	vers. 230/110/110
19 c		105277325	MAGNETO SWITCH	vers. 230/110/110
20	B	309049105	<i>Manca la descrizione aggiuntiva</i>	era 272709105
21		307017037	BRACKET	
22		307809880	CAPACITOR BOX 3X80 UF	
23		218017226	TERMINAL BOARD	
42		109019702	HAND GRIP	
43		272707010	ELECTRICAL BOX	
44		272707020	FRONT PANEL	vers. 400/230/48
45		272717020	FRONT PANEL	vers. 230/110/110



Tavole Ricambi

Modello **DR** TS 200 DS-DES/CF

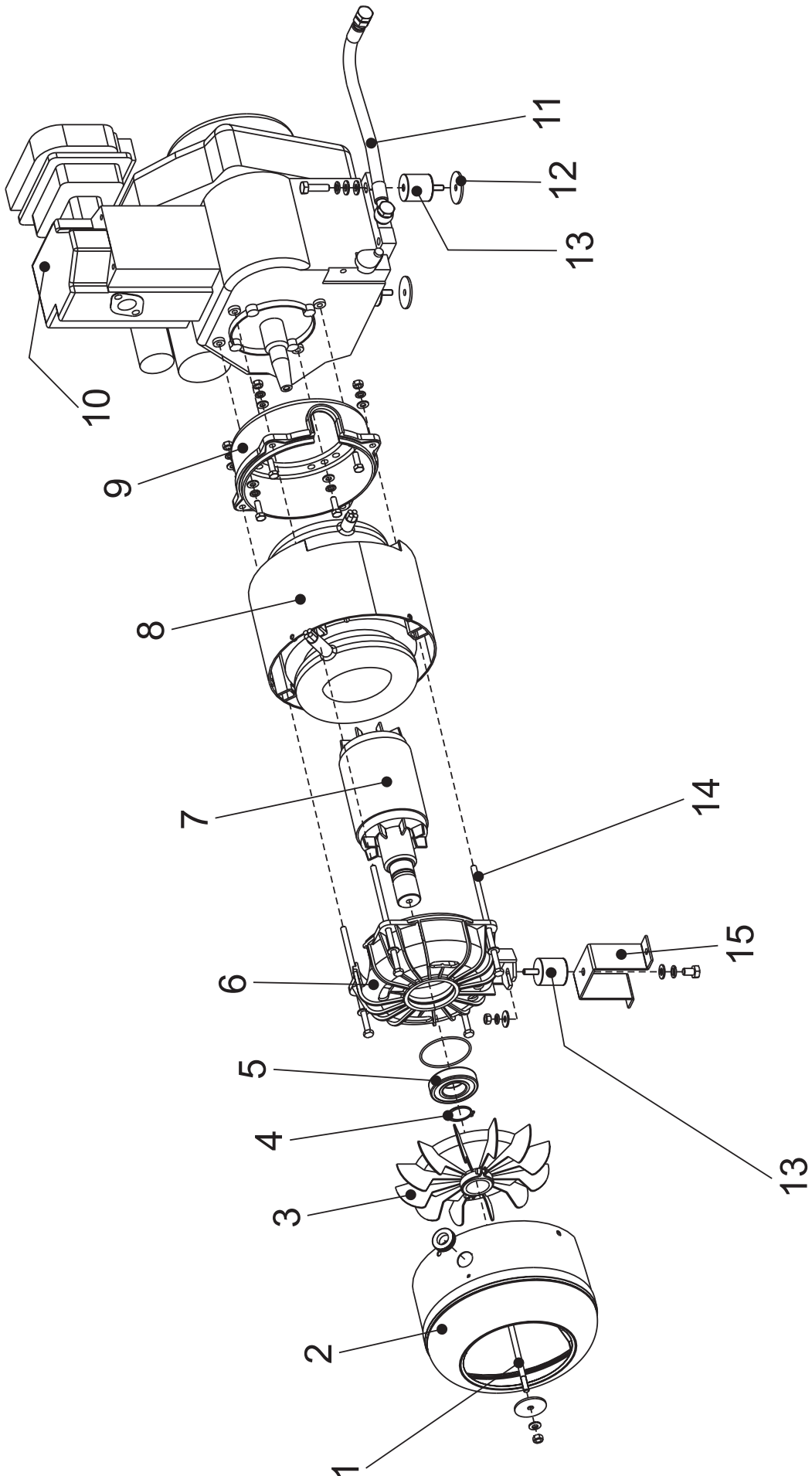
Tavola **DR** 2

<i>Pos.</i>	<i>Rev. Cod.</i>	<i>Descr.</i>	
3		307012037	PROTECTION, VIBRATION-DAMPER
4	B	256651035	VIBRATION DAMPER era 256011035
25		272705100	DIODE BRIDGE ASSY
26		272704120	REACTOR
27		272704100	LEVEL REACTOR
28		271704020	SUPPORT
29		271704010	RESISTOR
30		220014100	COMPLETE REACTOR
31		232123040	FLANGE FIXING ENGINE
32		272703025	STATOR
33		232123030	SHAFT WITH ROTOR
34		107011280	TIE - ROD
35		105913045	FLANGE, ALTERNATOR HOLDER
36		232123036	TIE-ROD
37		1001030	BEARING
38		105111290	FAN
39		105311370	SPACER
40	B	272506010	AIR DUCT era 271706010
41		105112020	VIBRATION DAMPER
47		105311380	WASHER
50		107302460	STARTER KEY vers. DES
51		1302040	WARNING LIGHT 12V vers. DES
52		256027060	PANEL vers. DES
53		155307107	THERMAL SWITCH vers. DES
54		256022275	VOLTAGE REGULATOR vers. DES
55		256027059	BOX, SUPPORT REGULATOR vers. DES
60	B	107815043	BUSH
61	B	107814013	WASHER

MOSA

TS 220 S-SX/EL



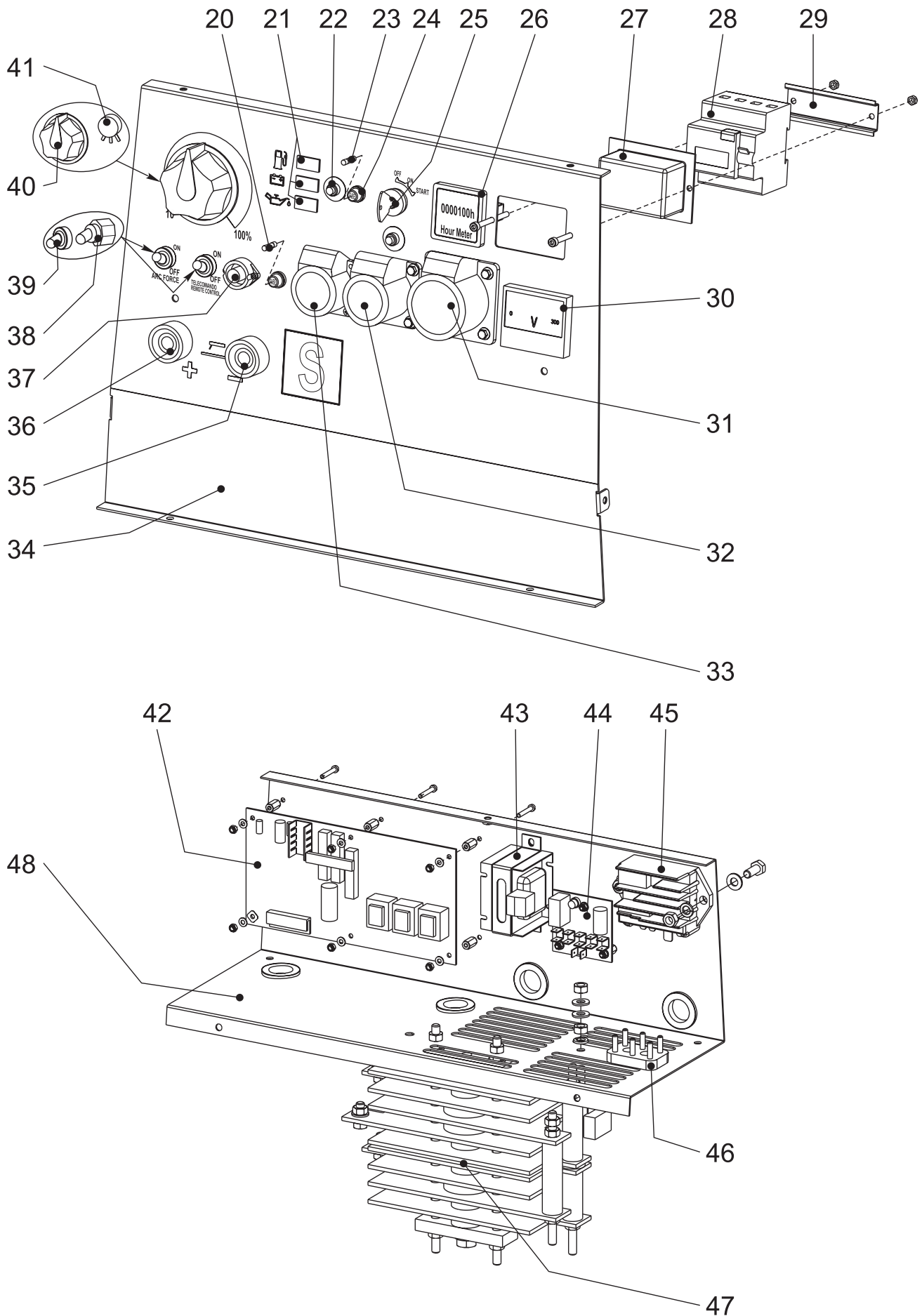


Tavole Ricambi

Modello **DT** **TS 220 S-SX/EL**

Tavola **DT** **9**

<i>Pos.</i>	<i>Rev. Cod.</i>	<i>Descr.</i>	
1	372803036	SHAFT ENGINE TIE-ROD	
2	272506010	AIR DUCT	
3	105111290	FAN	
4	6050090	RING	
5	1001070	BEARING	
6	105913045	FLANGE, ALTERNATOR HOLDER	
7	372803030	SHAFT WITH ROTOR	
8	372803025	STATOR	
9	232123040	FLANGE FIXING ENGINE	
10	372802200	YANMAR ENGINE L100AE-DEG	
11	372802212	OIL EXHAUST PIPE	
12	372802038	STOP WASHER	
13	356321035	VIBRATION DAMPER	
14	107011280	TIE - ROD	
15	372803101	ALTERNATOR SUPPORT	

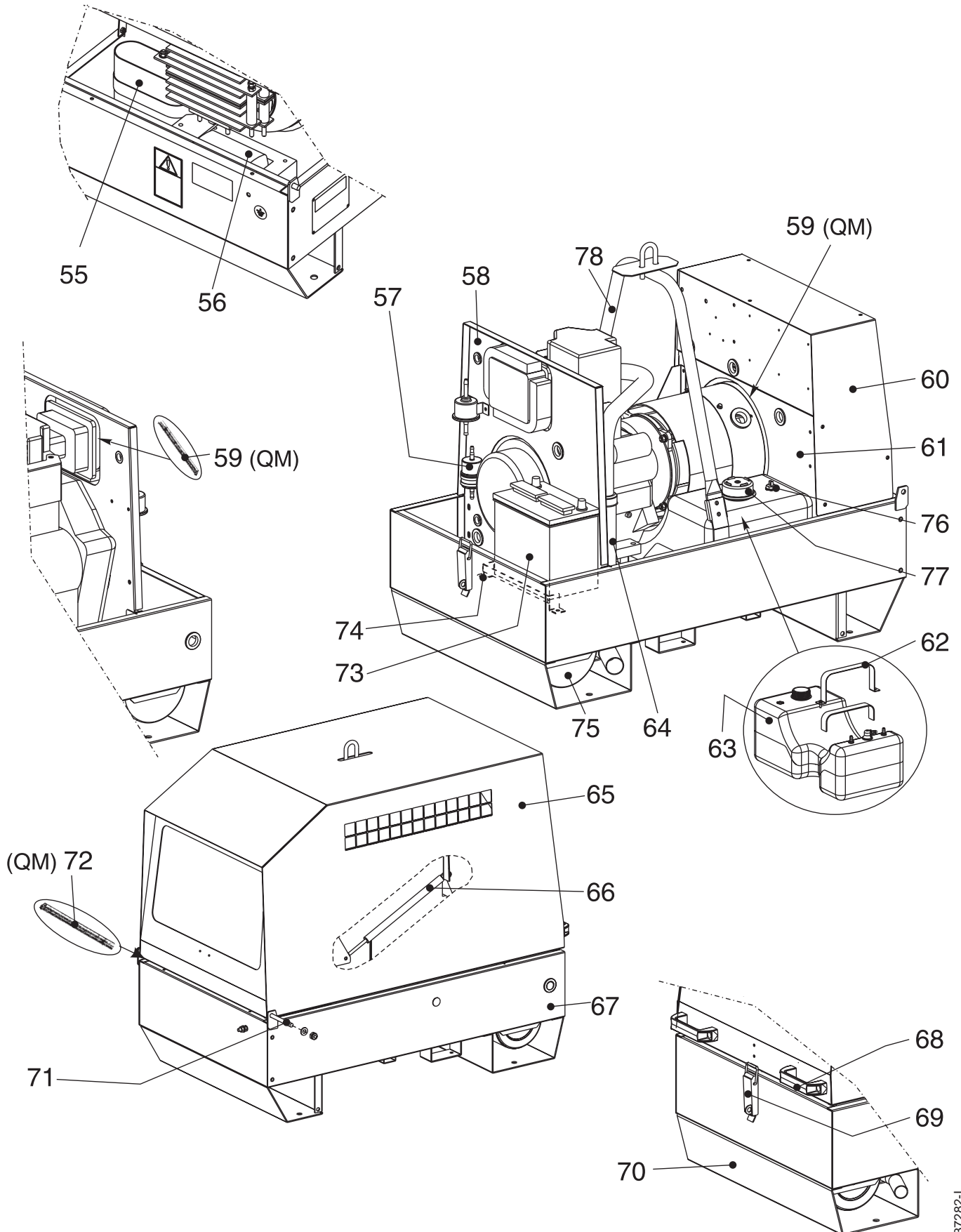


Tavole Ricambi

Modello DT TS 220 S-SX/EL

Tavola DT 10

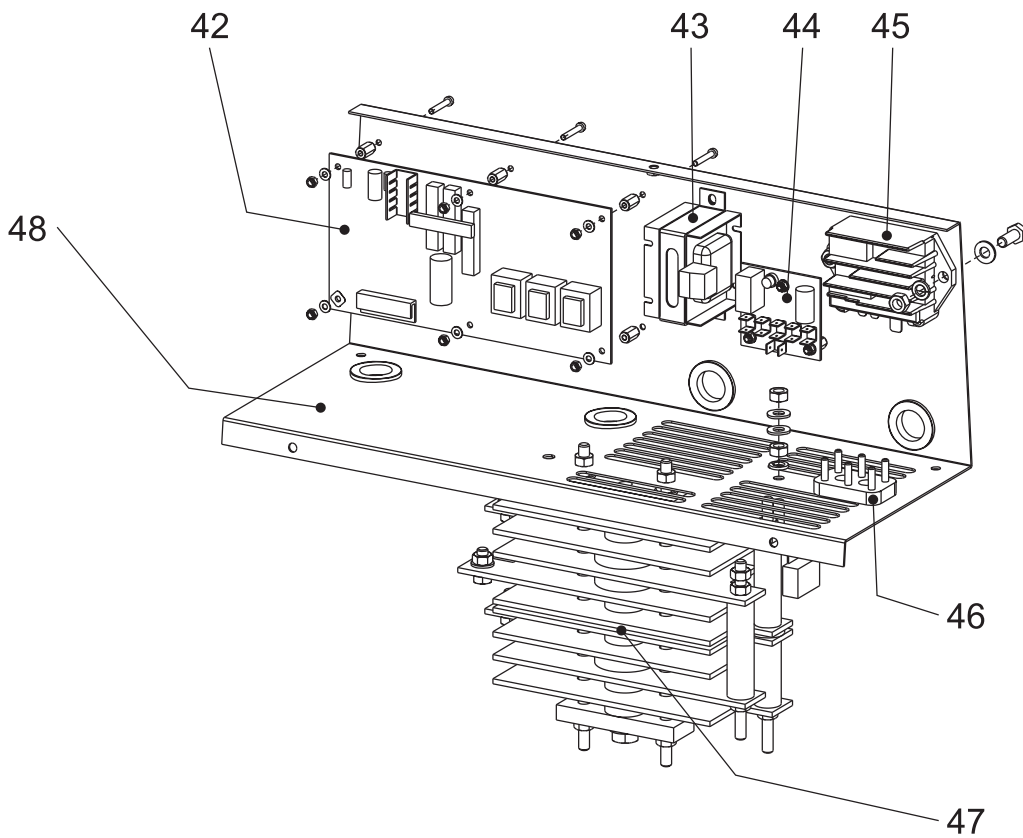
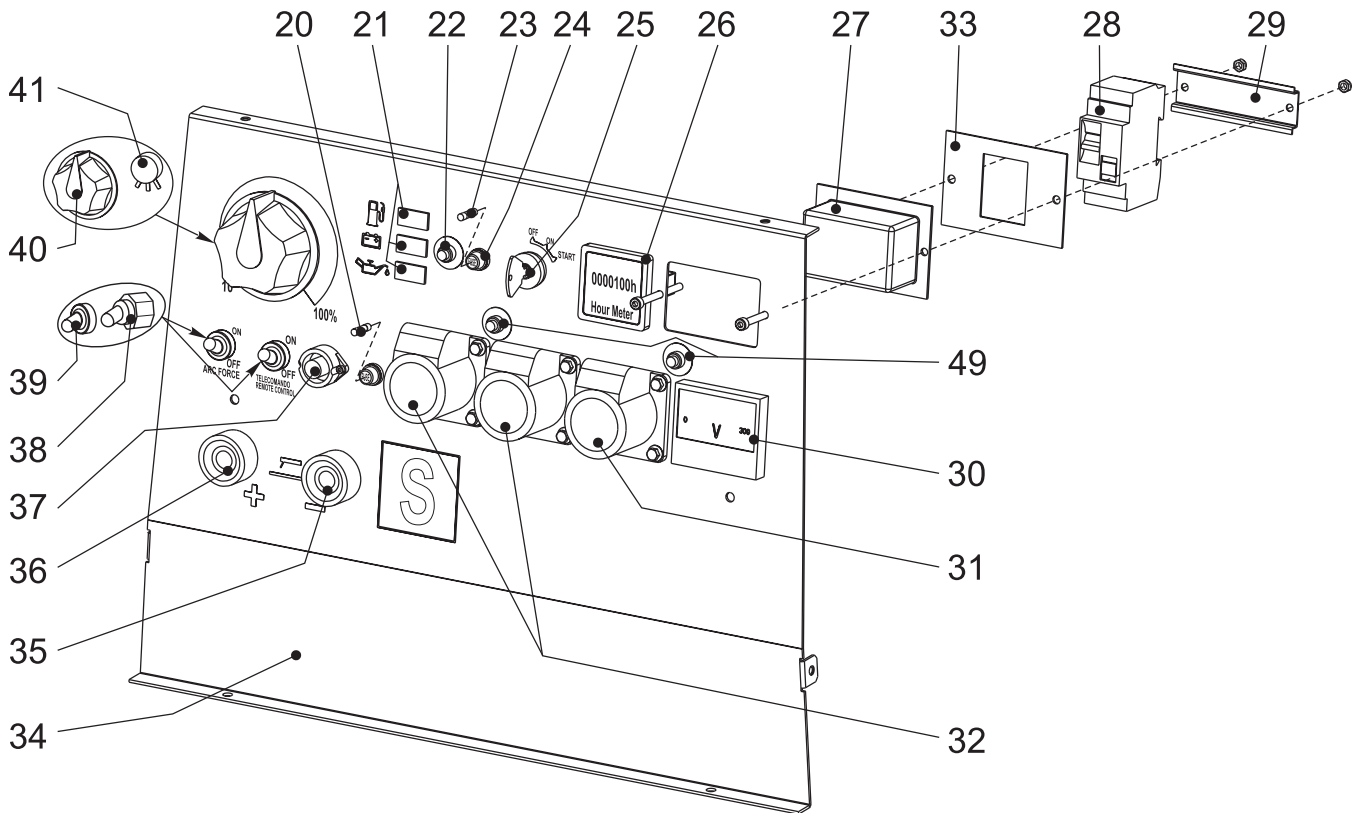
Pos.	Rev.	Cod.	Descr.	
20		1291250	FUSE	0,1A
21		1302040	WARNING LIGHT 12V	
22		155307107	THERMAL SWITCH	
23		1291120	FUSE	5A
24		307759045	FUSE HOLDER	
25		107302460	STARTER KEY	
26		105511810	HOURLMETER	
27		232027130	CAP	
28		105111540	See part no. 219937105	
29		232027036	FIXING GUIDE	
30		103011310	VOLTMETER	
31		305907270	EEC SOCKET 16A 400V 3P+N+T	
32		307017240	EEC SOCKET 16A, 220V 2P+T	
33		218137280	EEC SOCKET 48V 32A	
34		372807020	FRONT PANEL	
35		102044400	WELDING SOCKET (-)	
36		102301310	WELDING SOCKET (+)	
37		107509903	SOCKET	
38		102013290	COMMUTATOR	
39		102042740	CAP	
40		107509702	KNOB,WELDING CURRENT REGULAT.	
41		836709701	POTENTIOMETER	
42		208019800	PCB, WELDING CONTROL	
43		107509870	AUXILIARY TRANSFORMER	
44		209719850	PCB EV/ES	
45		256022275	VOLTAGE REGULATOR	
46		218017226	TERMINAL BOARD	
47		208015100	DIODE BRIDGE ASSY	
48		372808248	ELECTRICAL BOX BASE	



Tavole Ricambi

Modello DT TS 220 S-SX/EL

Tavola		DT	11	
Pos.	Rev.	Cod.	Descr.	
55		305159880	CAPACITOR BOX 3X75	
56		372804100	REACTOR LEVEL	
57		256602228	FUEL FILTER	
58		356721046	INTAKE CHAMBER BULKHEAD	
59		102302280	GASKET (L=MT.1)	qm
60		372808121	COVER FOR ELECTRICAL BOX	
61		372808218	ALTERNATOR UNDERWALL	
62		372802139	FIXING TANK, BAND	
63		372822020	<i>Manca la descrizione aggiuntiva</i>	
64		356722070	<i>Manca la descrizione aggiuntiva</i>	
65		357028005	<i>Manca la descrizione aggiuntiva</i>	
66		372808115	SPRING	
67		372801050	BASE	
68		343339601	KNOB	
69		107300180	LATCH	
70		356728200	<i>Manca la descrizione aggiuntiva</i>	
71		307018024	TIE-ROD	
72		309509005	GASKET	qm
73		209509150	BATTERY	
74		259109154	BATTERY BRACKET	
75		356722050	<i>Manca la descrizione aggiuntiva</i>	
76		372809875	FUEL LEVEL INDICATOR	
77		372802026	FUEL TANK, CAP	
78		356721100	<i>Manca la descrizione aggiuntiva</i>	



Tavole Ricambi

Modello DT TS 220 S-SX/EL

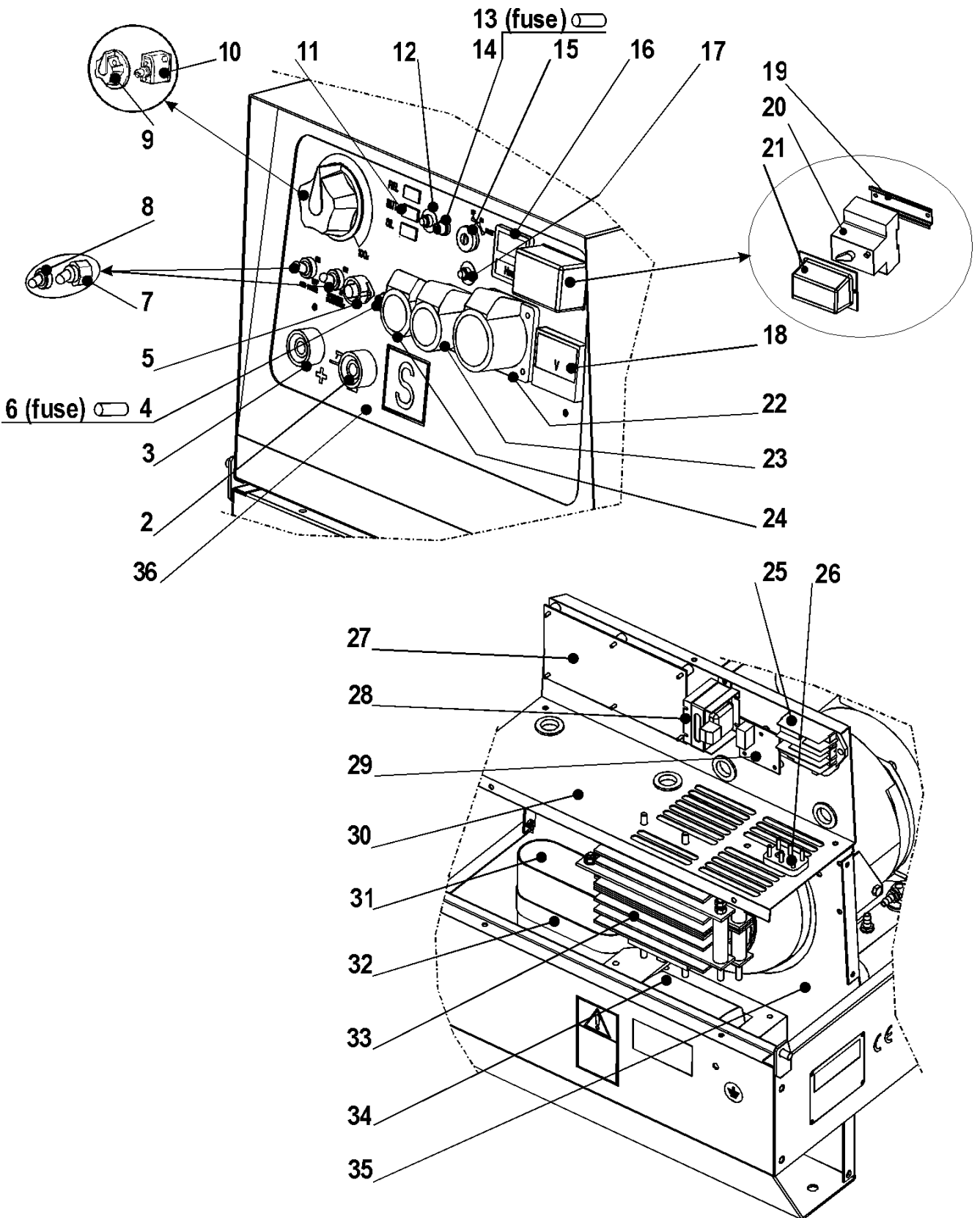
Tavola DT 12

Pos.	Rev.	Cod.	Descr.	
20		1291250	FUSE	0,1A
21		1302040	WARNING LIGHT 12V	
22		155307107	THERMAL SWITCH	
23		1291120	FUSE	5A
24		307759045	FUSE HOLDER	
25		107302460	STARTER KEY	
26		105511810	HOURMETER	
27		232027130	CAP	
28		220237105	See Part n°256007105	
29		232027036	FIXING GUIDE	
30		103011310	VOLTMETER	
31		307017240	EEC SOCKET 16A, 220V 2P+T	
32		307047250	SOCKET 110V 16A	
33		270027034	CAP FRAME	
34		372817020	FRONT PANEL	
35		102044400	WELDING SOCKET (-)	
36		102301310	WELDING SOCKET (+)	
37		107509903	SOCKET	
38		102013290	COMMUTATOR	
39		102042740	CAP	
40		107509702	KNOB,WELDING CURRENT REGULAT.	
41		836709701	POTENTIOMETER	
42		208019800	PCB, WELDING CONTROL	
43		107509870	AUXILIARY TRANSFORMER	
44		209719850	PCB EV/ES	
45		256022275	VOLTAGE REGULATOR	
46		218017226	TERMINAL BOARD	
47		208015100	DIODE BRIDGE ASSY	
48		372808248	ELECTRICAL BOX BASE	
49		306467107	THERMOPROTECTION (AUX)	

MOSA

TS 220 S-SX/EL (OLD)

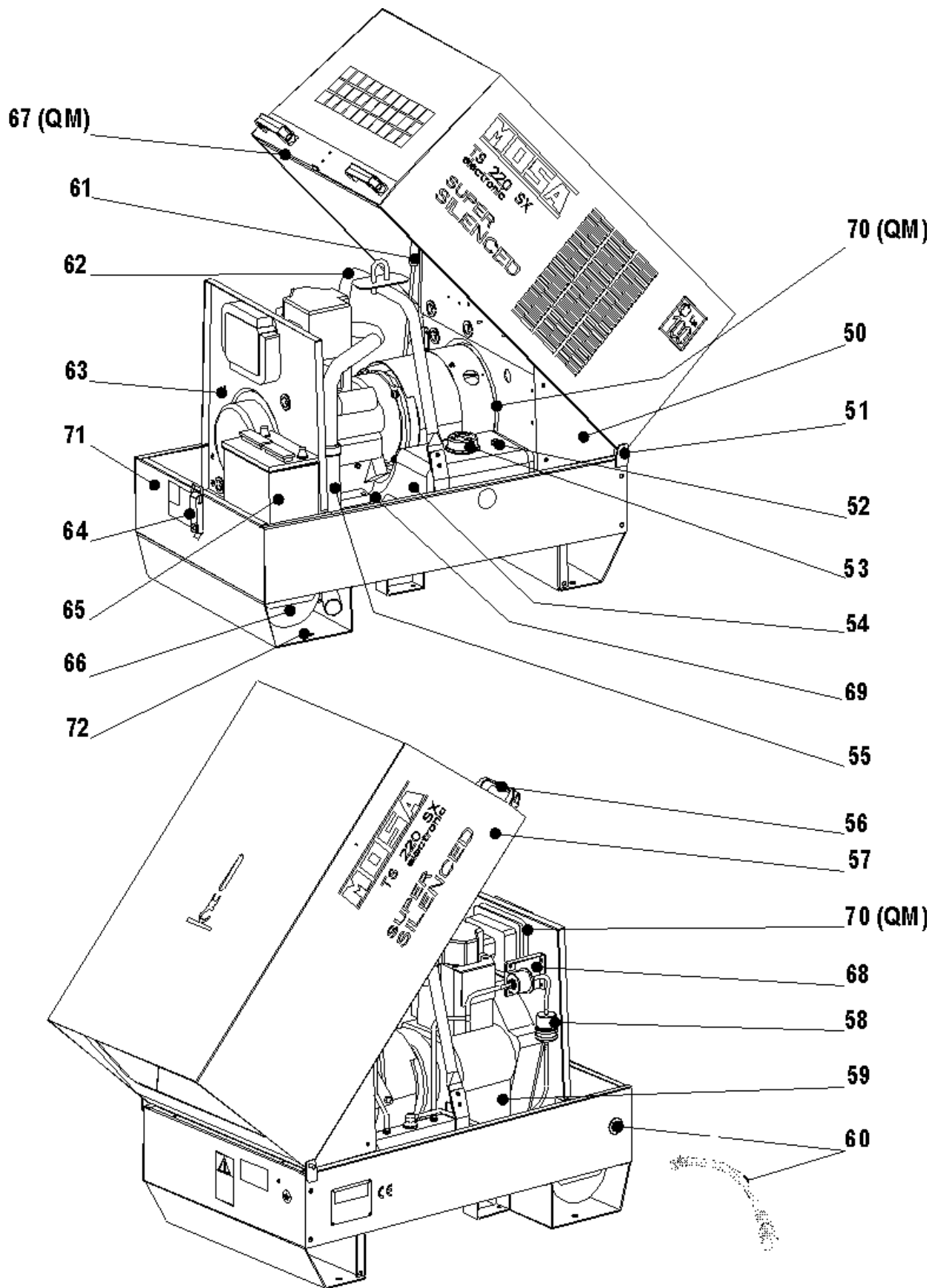




Tavole Ricambi

Modello DT TS 220 S-SX/EL

Tavola		DT	1
Pos.	Rev.	Cod.	Descr.
2		102044400	WELDING SOCKET (-)
3		102301310	WELDING SOCKET (+)
4		307759045	FUSE HOLDER
5		107509903	SOCKET
6		1291250	FUSE
7		102013290	COMMUTATOR
8		102042740	CAP
9		107509702	KNOB,WELDING CURRENT REGULAT.
10		836709701	POTENTIOMETER
11		1302040	WARNING LIGHT 12V
12		155307107	THERMAL SWITCH
13		1291120	FUSE
14		307759045	FUSE HOLDER
15		107302460	STARTER KEY
16		105511810	HOURMETER
17		306467107	THERMOPROTECTION (AUX)
18		103011310	VOLTMETER
19		232027036	FIXING GUIDE
20		219937105	GROUNDFAULT INTERRUPTOR (GFI)
21		232027130	CAP
22		305907270	EEC SOCKET 16A 400V 3P+N+T
23		307017240	EEC SOCKET 16A, 220V 2P+T
24		218137280	EEC SOCKET 48V 32A
25		256022275	VOLTAGE REGULATOR
26		218017226	TERMINAL BOARD
27		208019800	PCB, WELDING CONTROL
28		107509870	AUXILIARY TRANSFORMER
29		209719850	PCB EV/ES
30		372808248	ELECTRICAL BOX BASE
31		305159880	CAPACITOR BOX 3X75
32		307017037	BRACKET
33		270005100	DIODE BRIDGE
34		372804100	REACTOR LEVEL
35		372808218	ALTERNATOR UNDERWALL
36		372807020	FRONT PANEL

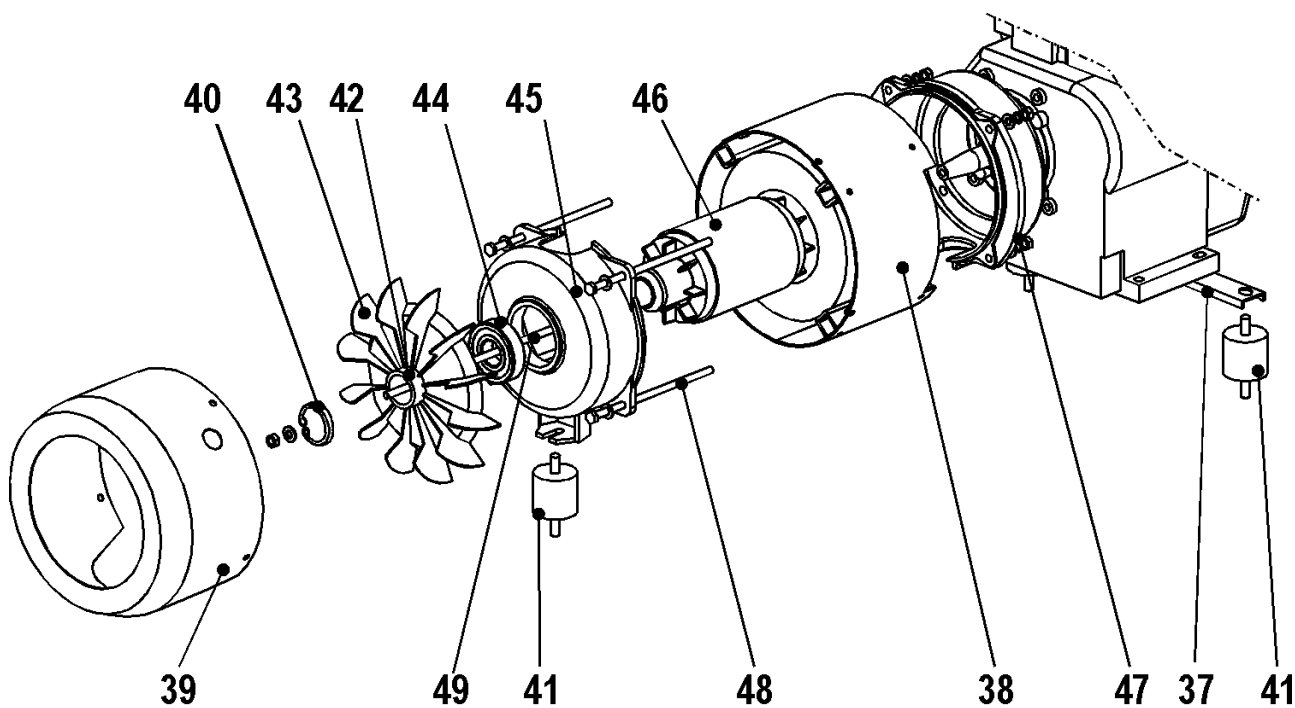


Tavole Ricambi

Modello DT TS 220 S-SX/EL

Tavola DT 2

<i>Pos.</i>	<i>Rev. Cod.</i>	<i>Descr.</i>	
50	372808121	COVER FOR ELECTRICAL BOX	
51	307018024	TIE-ROD	
52	372809875	FUEL LEVEL INDICATOR	
53	372802026	FUEL TANK, CAP	
54	372802020	FUEL TANK	
55	372802070	EXHAUST PIPE	
56	343339601	KNOB	
57	372808005	COVER	
58	256602228	FUEL FILTER	
59	372802200	YANMAR ENGINE L100AE-DEG	vers. MOSA
60	372802212	OIL EXHAUST PIPE	
61	372808115	SPRING	
62	372801100	ROLL BAR	
63	372801046	COVER X CHAMBER INTAKE	
64	107300180	LATCH	
65	209509150	BATTERY	
66	372802050	EXHAUST MUFFLER	
67	309509005	GASKET	q.m.
68	372802281	FUEL PUMP FIXING BRACKET	
69	372802281	FUEL PUMP FIXING BRACKET	
69	372802139	FIXING TANK, BAND	
70	102302280	GASKET (L=MT.1)	q.m.
71	372801050	BASE	
72	372808200	ENGINE INDUCTION CASE	



Tavole Ricambi

Modello **DT** **TS 220 S-SX/EL**

Tavola **DT** **3**

Pos. *Rev. Cod.* *Descr.*

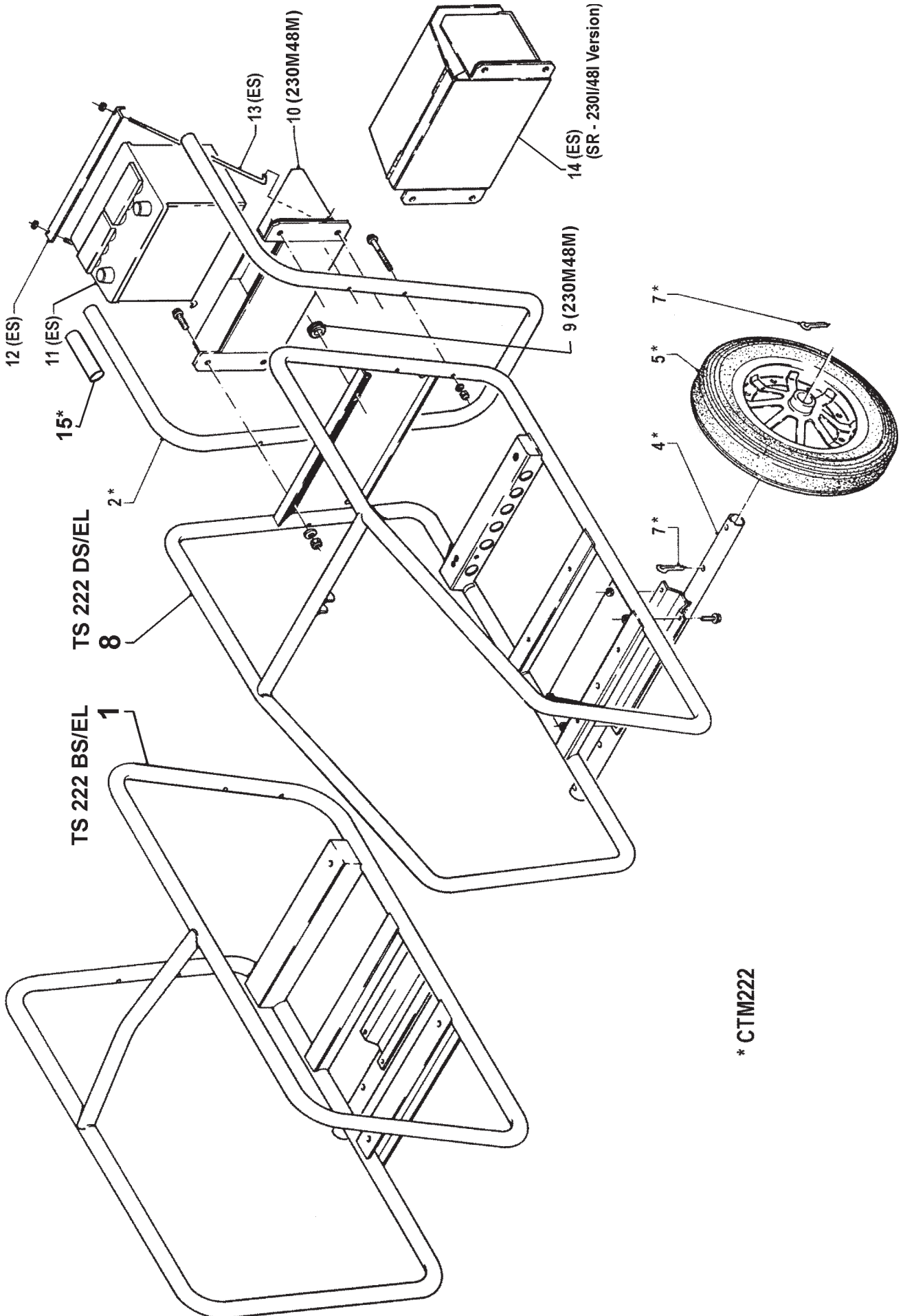
37		372802035	ENGINE SUPPORT BRACKET	
38		372803025	STATOR	
39		272506010	AIR DUCT	
40		6050090	RING	
41		102041250	VIBRATION-DAMPER	
42		105111350	CLAMP, FAN	
43		105111290	FAN	
44		1001070	BEARING	
45		105913045	FLANGE, ALTERNATOR HOLDER	
46		372803030	SHAFT WITH ROTOR	
47		232123040	FLANGE FIXING ENGINE	
48		107011280	TIE - ROD	
49		372803036	SHAFT ENGINE TIE-ROD	
75		372803101	ALTERNATOR SUPPORT	

MOSA

TS 222 BS/EL

TS 222 DS/EL

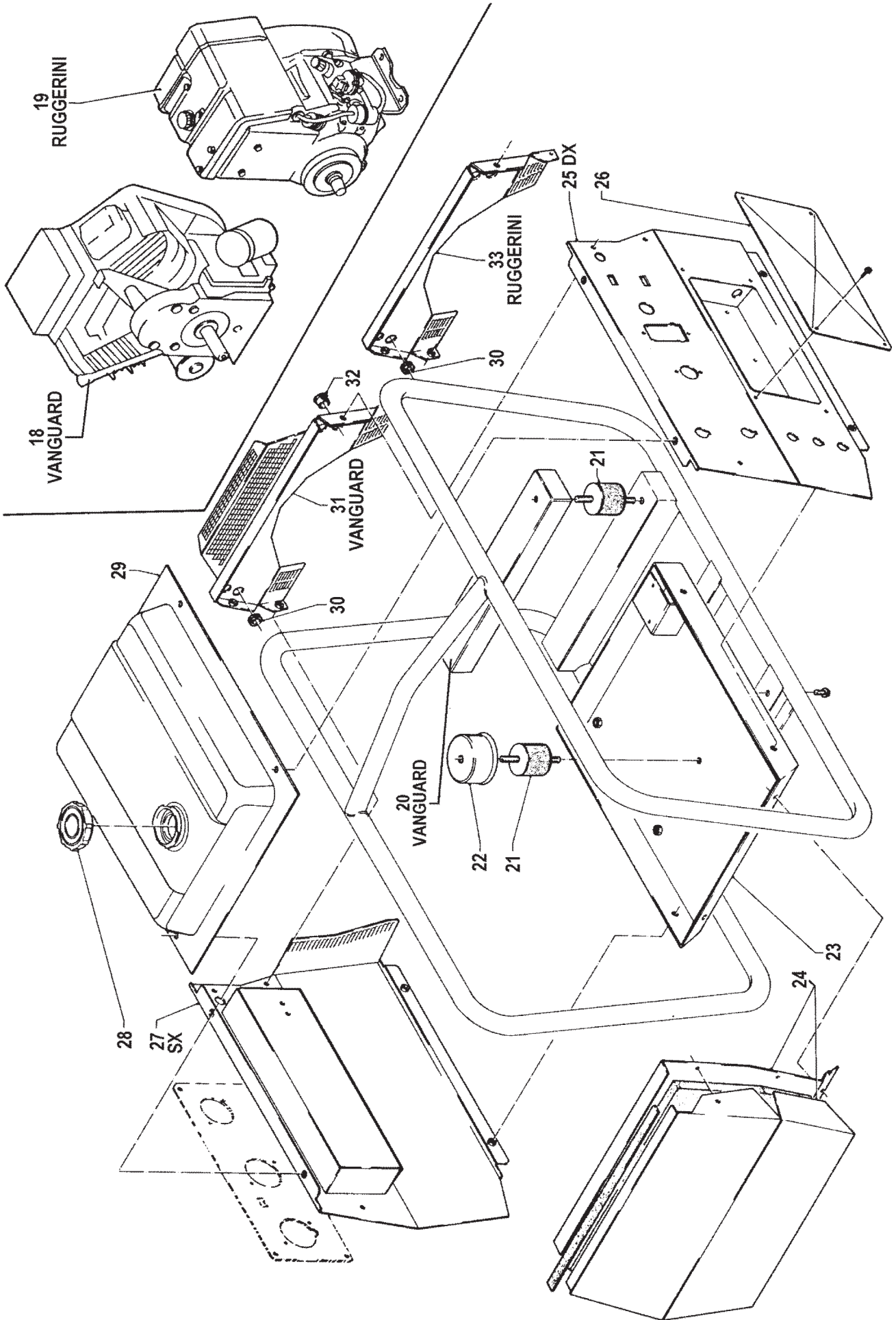




* CTM222

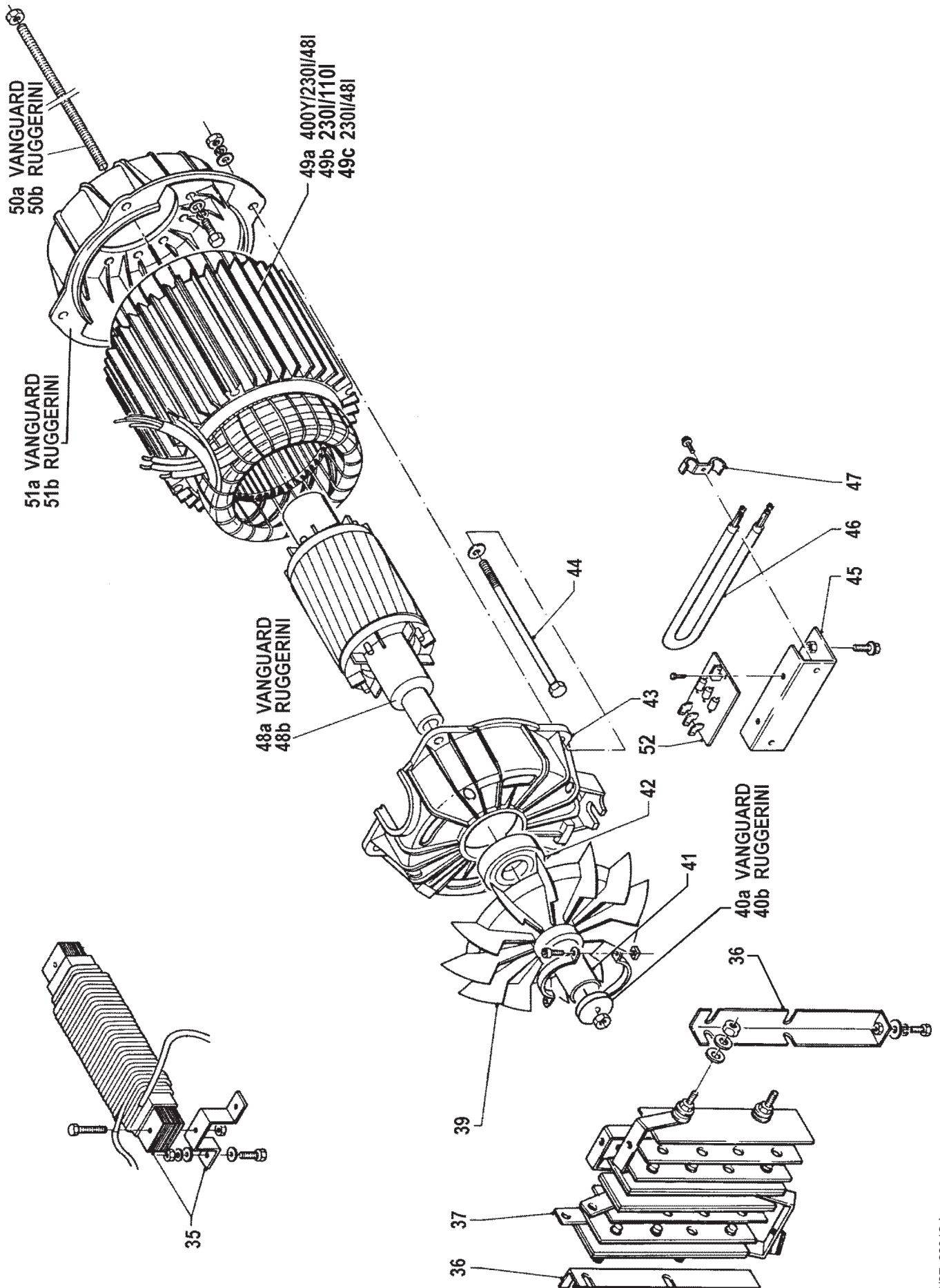
<i>Pos.</i>	<i>Rev. Cod.</i>	<i>Descr.</i>	<i>Note</i>
	* 220010130	CTM222 KIT TRAINO MANUALE	
1	210011050	BARELLA	TS 222 BS
2	208101051	MANIGLIA	
4	210011160	ASSALE	
5	102042490	RUOTA	
7	6075020	COPIGLIA	
8	210211050	BARELLA	TS 222 DS
9	1030030	PASSACAVO	(ES) 230M/230M Version
10	107012120	CESTELLO BATTERIA	TS 222 DS 230M/48M Version
11	102041790	BATTERIA 50 AH	TS 222 DS
12	102041420	TRAVERSA	TS 222 DS
13	105611270	TIRANTE PER BATTERIA	TS 222 DS
14	209039160	CESTELLO PORTA BATT.(CON COP.)	TS 222 DS - SR - 230M48M Version
15	A 219861159	MANOPOLA	

<i>Pos.</i>	<i>Rev. Cod.</i>	<i>Descr.</i>	<i>Note</i>
	* 220010130	CTM222 KIT TRAINO MANUALE	Kit wheels and
1	210011050	PROTECTIVE FRAME	TS 222 BS
2	208101051	HANDLE	
4	210011160	AXLE	
5	102042490	WHEEL	
7	6075020	PIN, SPLIT	
8	210211050	FRAME	TS 222 DS
9	1030030	GROMMET	(ES) 230M/230M Version
10	107012120	HOLDER, BATTERY	TS 222 DS 230M/48M Version
11	102041790	BATTERY 50AH	TS 222 DS
12	102041420	BRACKET	TS 222 DS
13	105611270	TIE ROD, BATTERY	TS 222 DS
14	209039160	HOLDER, BATTERY	TS 222 DS - SR - 230M48M Version
15	A 219861159	KNOB	



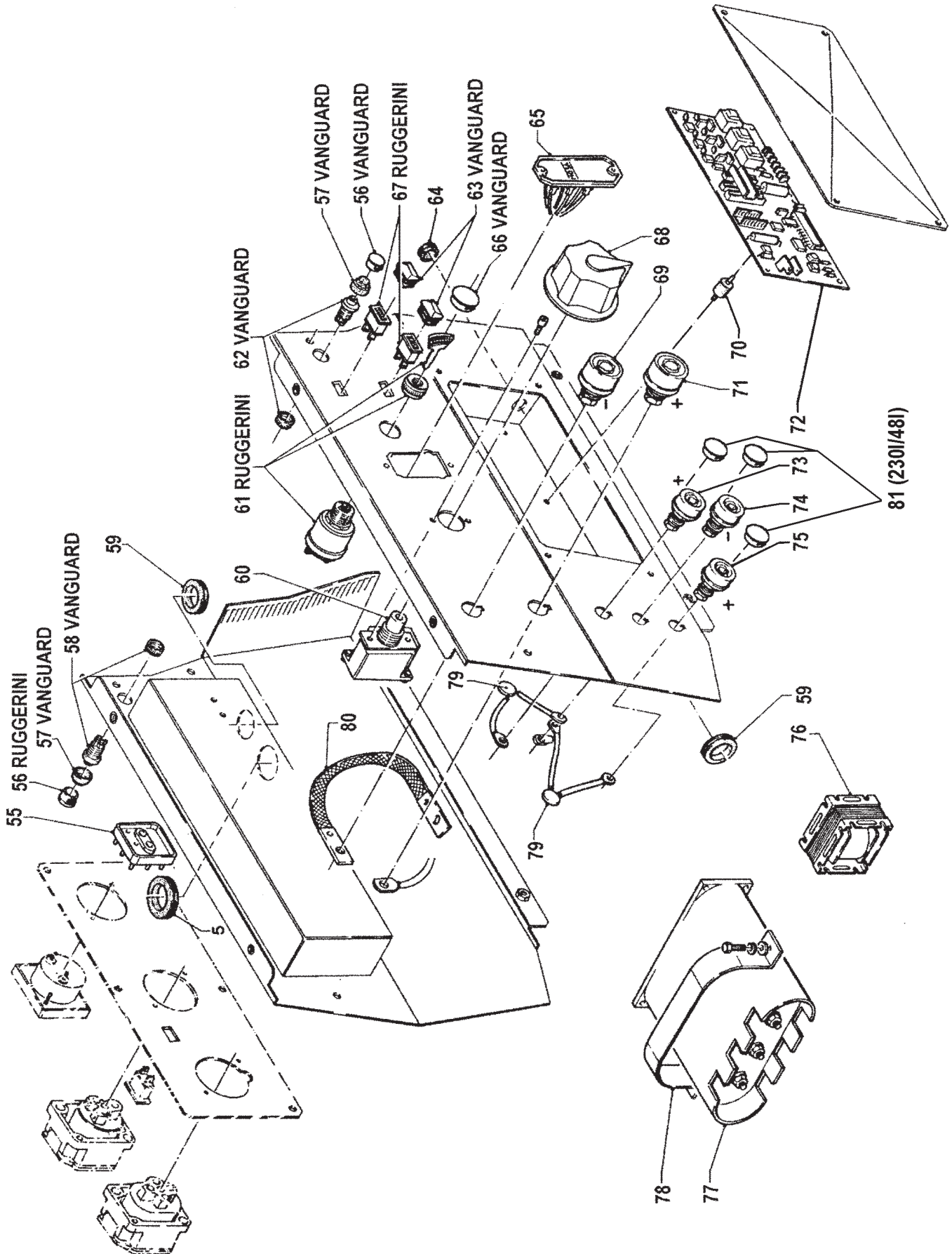
<i>Pos.</i>	<i>Rev. Cod.</i>	<i>Descr.</i>	<i>Note</i>
18	210012200	MOTORE BRIGGS VANGUARD 14 HP	vers. MOSA TS 222 BS
19	259002200	MOTORE RUGGERINI MD190	vers. MOSA TS 222 DS
20	210012035	STAFFA	TS 222 BS
21	105112020	ANTIVIBRANTE	
22	307012037	PROTEZIONE ANTIVIBRANTE	
23	210018205	SCATOLA DI BASE	
24	A 220020515	CASSONETTO ASPIRAZ. COMPL.	era 210018200
25	210018003	FIANCATA DX	
26	210018122	COPERCHIO SCHEDA SALDATURA	
27	220018004	FIANCATA SX	
28	102041740	TAPPO	
29	210012020	SERBATOIO	
30	1030100	PASSACAVO	
31	210018255	PARATIA CHIUSURA POSTERIORE	TS 222 BS
32	6062080	TAPPO	
33	210018247	PARATIA	

<i>Pos.</i>	<i>Rev. Cod.</i>	<i>Descr.</i>	<i>Note</i>
18	210012200	BRIGGS VANGUARD ENGINE 14 HP	vers. MOSA TS 222 BS
19	259002200	RUGGERINI ENGINE MD190	vers. MOSA TS 222 DS
20	210012035	BRACKET, ENGINE	TS 222 BS
21	105112020	VIBRATION DAMPER	
22	307012037	PROTECTION, VIBRATION-DAMPER	
23	210018205	CASE, BOTTOM HALF	
24	A 220020515	BOX, AIR INLET	era 210018200
25	210018003	SIDE, RIGHT	
26	210018122	COVER, WELDING PCB	
27	220018004	SIDE, LEFT	
28	102041740	CAP, TANK	
29	210012020	FUEL TANK	
30	1030100	GROMMET	
31	210018255	WALL, REAR	TS 222 BS
32	6062080	CAP	
33	210018247	WALL	



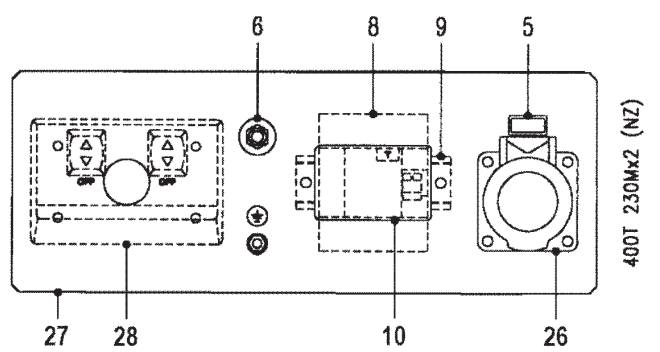
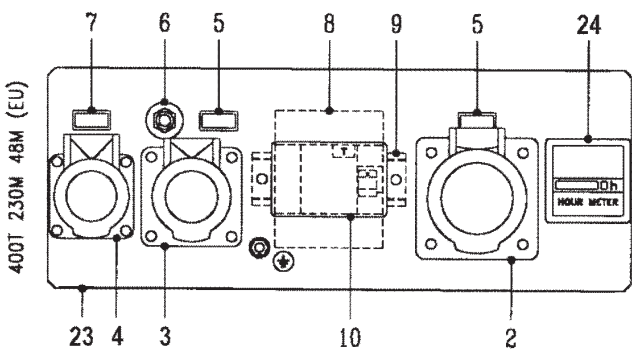
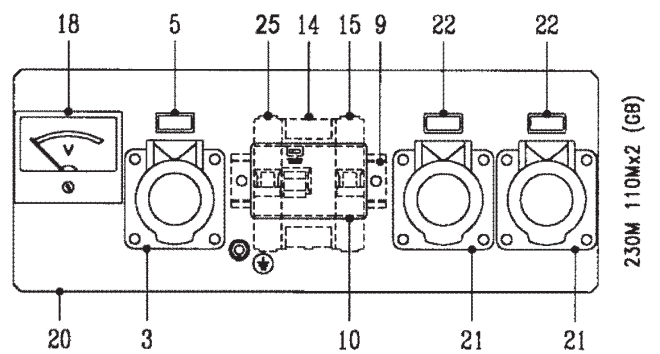
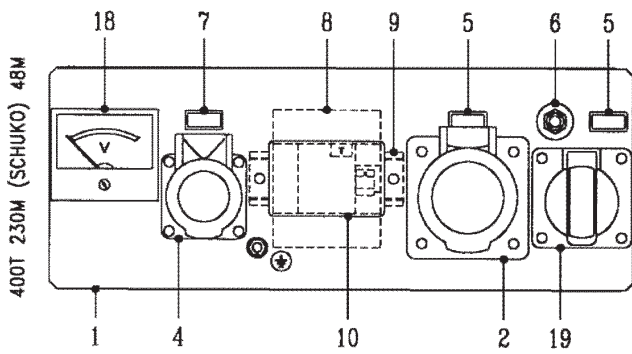
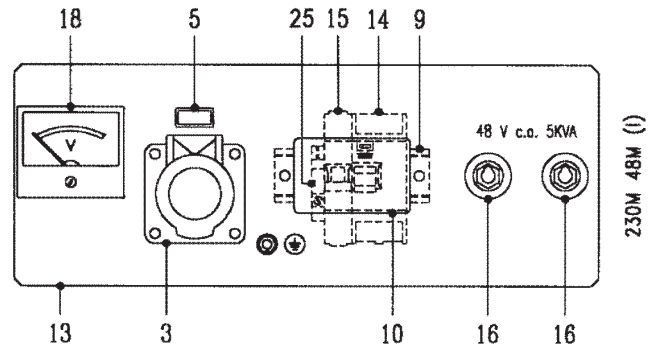
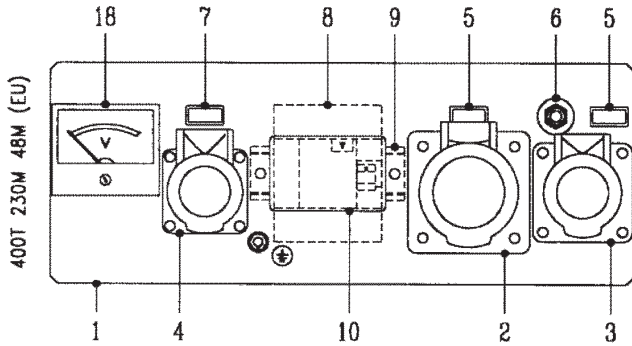
<i>Pos.</i>	<i>Rev. Cod.</i>	<i>Descr.</i>	<i>Note</i>
35	220014100	REATTORE COMPLETO	
36	210015041	STAFFA	
37	210015100	GR.PONTE DIODI	
39	210016020	VENTOLA	
40 a	210013038	RONDELLA	TS 222 BS
40 b	210213038	RONDELLA DI SICUREZZA	TS 222 DS
41	210013039	DISTANZIALE	
42	1001060	CUSCINETTO	
43	309503045	FLANGIA PORTA ALTERNATORE	
44	107011280	TIRANTE	
45	208109067	STAFFA	(NO x 230M48M Version)
46	309509065	RESISTENZA DI PRITT	(NO x 230M48M Version)
47	232129658	PIASTRINA FISSAGGIO RESISTENZA	(NO x 230M48M Version)
48 a	210013030	ALBERO CON ROTORE	TS 222 BS
48 b	210213030	ALBERO CON ROTORE	TS 222 DS
49 a	220133025	STATORE	400T230M48M
49 b	220023025	STATORE	230M110M CTE
49 c	A 220233025	STATORE AVVOLTO 230M48M 5KVA	230M48M
50 a	210013036	TIRANTE ALBERO MOTORE	TS 222 BS
50 b	210213036	TIRANTE	TS 222 DS
51 a	210013040	FLANGIA ATTACCO MOTORE	TS 222 BS
51 b	210213040	FLANGIA ATTACCO MOTORE	TS 222 DS
52	309509035	UNITA' DIODI PRITT	(NO x 230M48M Version)

<i>Pos.</i>	<i>Rev. Cod.</i>	<i>Descr.</i>	<i>Note</i>
35	220014100	COMPLETE REACTOR	
36	210015041	BRACKET	
37	210015100	DIODE BRIDGE	
39	210016020	FAN	
40 a	210013038	WASHER	TS 222 BS
40 b	210213038	SAFETY WASHER	TS 222 DS
41	210013039	SPACER	
42	1001060	BEARING	
43	309503045	ALTERNATOR FLANGE	
44	107011280	TIE - ROD	
45	208109067	BRACKET	(NO x 230M48M Version)
46	309509065	RESISTOR PRITT	(NO x 230M48M Version)
47	232129658	RESISTANCE PLATE	(NO x 230M48M Version)
48 a	210013030	SHAFT WITH ROTOR	TS 222 BS
48 b	210213030	SHAFT WITH ROTOR	TS 222 DS
49 a	220133025	STATOR 400T230M48M	
49 b	220023025	STATOR 230M110M CTE	
49 c	A 220233025	STATOR 230M48M	
50 a	210013036	TIE ROD, SHAFT	TS 222 BS
50 b	210213036	TIE-ROD	TS 222 DS
51 a	210013040	FLANGE, ENGINE	TS 222 BS
51 b	210213040	FLANGE FIXING ENGINE	TS 222 DS
52	309509035	DIODES UNIT, PRITT	(NO x 230M48M Version)



<i>Pos.</i>	<i>Rev.</i>	<i>Cod.</i>	<i>Descr.</i>	<i>Note</i>
55		307407226	MORSETTIERA	
56		6062080	TAPPO	
57		101091840	CAPPUCCIO	TS 222 BS
58		101091830	PULSANTE DI STOP	TS 222 BS
59		1030060	PASSACAVO	
60		107509700	POTENZIOMETRO	
61		107302460	STARTER A CHIAVE	TS 222 DS
62		210019074	PULSANTE	TS 222 BS
63		209707026	TAPPO	TS 222 BS
64		1030100	PASSACAVO	
65	A	209510017	PREDISPOSIZIONE CD2	
66		6062120	TAPPO	TS 222 BS
67		1302040	SPIA 12V	TS 222 DS
68		107509702	MANOPOLA REG.CORRENTE SALDAT.	
69		102044400	PRESA DI SALDATURA (-)	
70	A	282009807	DISTANZ. ISOLANTE PER SCHEDE	era 107302570
71		102301310	PRESA DI SALDATURA (+)	
72		208019800	SCHEDA DI CONTROLLO SALDATURA	
73		106021220	PRESA DINSE	NO 20M/48M Vesion
74		101131220	PRESA DINSE	
75		106021220	PRESA DINSE	NO 20M/48M Vesion
76		107509870	TRASFORMATORE	
77		305159880	BOX CONDENSATORI	
78		307017037	STAFFA	
79		208019011	SOPPRESSORE PROTEZ.PONTE DIODI	NO 20M/48M Vesion
80		208019890	SHUNT	
81	A	6062110	TAPPO	230M/48M Version

<i>Pos.</i>	<i>Rev.</i>	<i>Cod.</i>	<i>Descr.</i>	<i>Note</i>
55		307407226	TERMINAL BOARD	
56		6062080	CAP	
57		101091840	CAP	TS 222 BS
58		101091830	BUTTON, STOP	TS 222 BS
59		1030060	GROMMET	
60		107509700	WELDING CURRENT REGULATOR	
61		107302460	STARTER KEY	TS 222 DS
62		210019074	PUSH-BUTTON	TS 222 BS
63		209707026	BLIND PLUG	TS 222 BS
64		1030100	GROMMET	
65	A	209510017	SOCKET SWITCH REMOTE CONTROL	
66		6062120	CAP	TS 222 BS
67		1302040	WARNING LIGHT 12V	TS 222 DS
68		107509702	KNOB,WELDING CURRENT REGULAT.	
69		102044400	WELDING SOCKET (-)	
70	A	282009807	SPACER	era 107302570
71		102301310	WELDING SOCKET (+)	
72		208019800	PCB, WELDING CONTROL	
73		106021220	SOCKET, STARTER (+)	NO 20M/48M Vesion
74		101131220	SOCKET	
75		106021220	SOCKET, STARTER (+)	NO 20M/48M Vesion
76		107509870	AUXILIARY TRANSFORMER	
77		305159880	CAPACITOR BOX 3X75	
78		307017037	BRACKET	
79		208019011	SUPPRESSOR PROT. DIODE BRIDGE	NO 20M/48M Vesion
80		208019890	SHUNT	
81	A	6062110	CAP	230M/48M Version



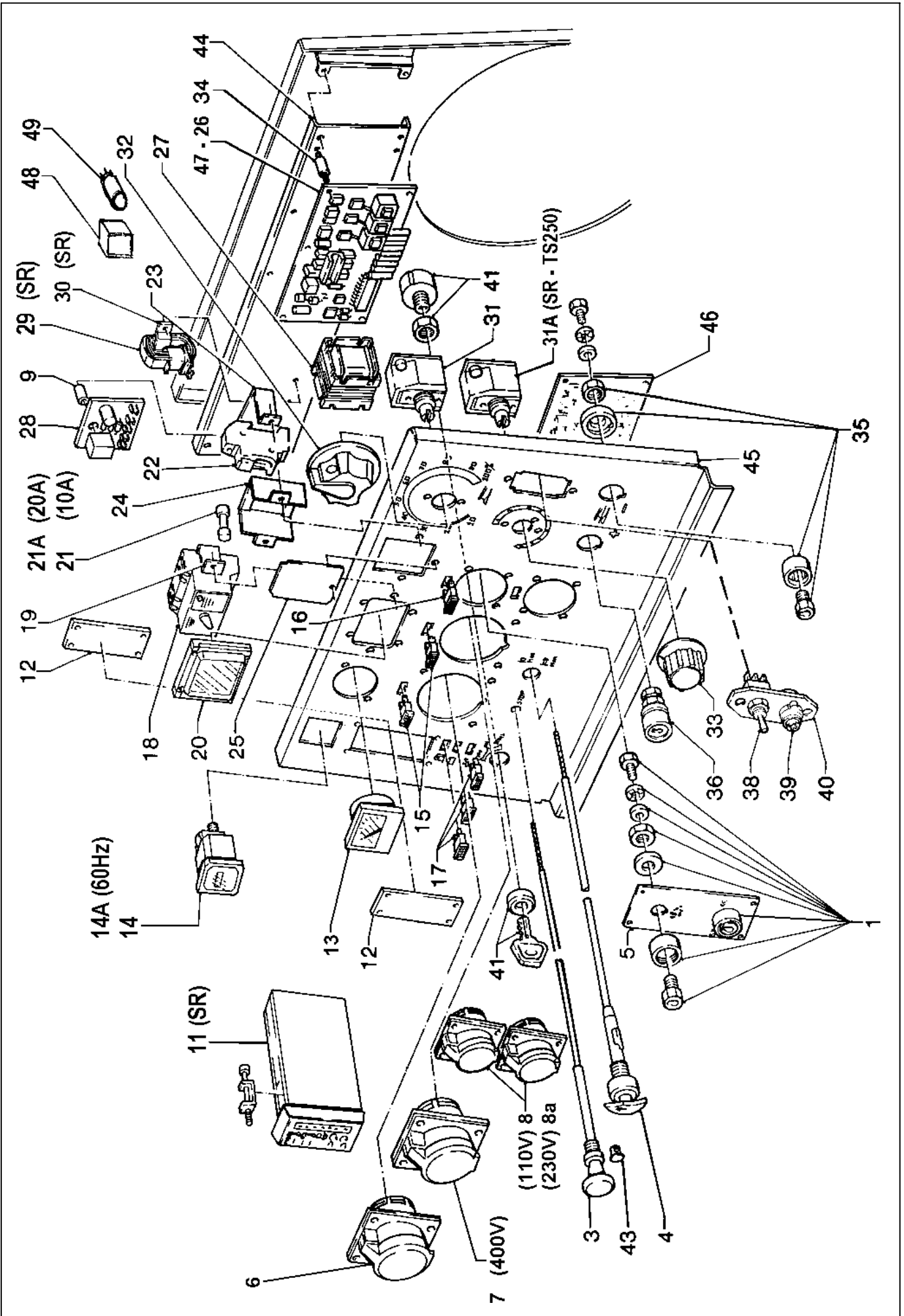
<i>Pos.</i>	<i>Rev.</i>	<i>Cod.</i>	<i>Descr.</i>	<i>Note</i>
1		220337020	PANNELLO FRONTALE	
2		305907270	PRESA CEE 16A 400V 3P+N+T	
3		307017240	PRESA 220V 16A	
4		218137280	PRESA CEE 48V 32A	
5		1302220	SPIA 220V	
6		155307107	DISGIUNTORE TERMICO	
7		1302080	SPIA PER 48V	
8		105111540	Vedi Cod.219937105	
9		232027036	GUIDA	
10		232027130	CAPPUCCIO PROTEZIONE I.D.	
13		220237020	PANNELLO FRONTALE	(I)
14		220237105	Vedi Cod.256007105	
15		317807325	INT.MAGNETOTERMICO 1 POLO 16A	
16		101131220	PRESA DINSE	
18		103011310	VOLTMETRO	
19		259107241	PRESA SCHUKO 16A 230V - 2P+T	
20		220227020	PANNELLO FRONTALE	(GB)
21		307047250	PRESA 110V 16A	
22		1302160	SPIA 110V	
23		220307020	PANNELLO FRONTALE	
24		105511810	CONTAORE	
25		1241010	PIASTRINA	
26		307017230	PRESA CEE 16A 380V (TRIFASE)	
27	A	SP 3478	PANNELLO FRONTALE (NZ)	
28	A		PRESA SPECIFICA (NZ) 10A 230V	

<i>Pos.</i>	<i>Rev.</i>	<i>Cod.</i>	<i>Descr.</i>	<i>Note</i>
1		220337020	FRONT PANEL	
2		305907270	EEC SOCKET 16A 400V 3P+N+T	
3		307017240	EEC SOCKET 16A, 220V 2P+T	
4		218137280	EEC SOCKET 48V 32A	
5		1302220	WARNING LIGHT 220V	
6		155307107	THERMAL SWITCH	
7		1302080	WARNING LIGHT FOR 48V	
8		105111540	See part no. 219937105	
9		232027036	FIXING GUIDE	
10		232027130	CAP	
13		220237020	FRONT PANEL	(I)
14		220237105	See Part n°256007105	
15		317807325	See p/n 734507325	
16		101131220	SOCKET	
18		103011310	VOLTMETER	
19		259107241	SOCKET SCHUKO 16A 230V 2P+T	
20		220227020	FRONT PANEL	(GB)
21		307047250	SOCKET 110V 16A	
22		1302160	WARNING LIGHT 110V	
23		220307020	FRONT PANEL	
24		105511810	HOURMETER	
25		1241010	PLATE	
26		307017230	EEC SOCKET 16A380V/THREE-PHASE	
27	A	SP 3478	FRONT PANEL (NZ)	
28	A		SPECIFIC SOCKET (NZ) 10A 230V	

MOSA

TS 250 SC
TS 300 SC/SXC
TS 300 SXH

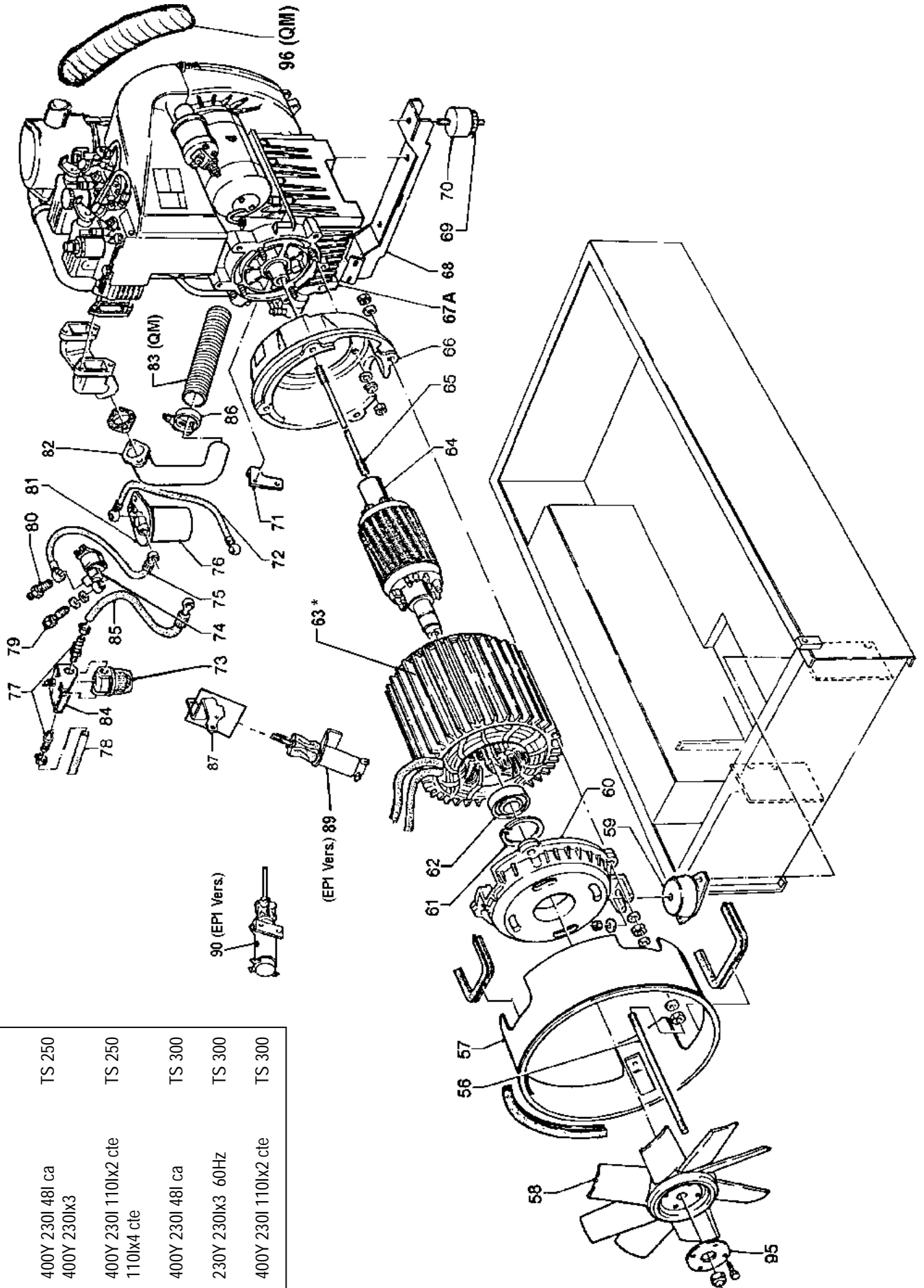




Tavole Ricambi

Modello **DI** TS 300 SC e SXC/EL

Tavola DI 1				
Pos.	Rev.	Cod.	Descr.	
1		101131220	SOCKET	
3		209719110	ENGINE STOP	
4		209719105	ACCELERATOR LEVER	
5		219937032	COVER SOCKETS 48V	
6		105111520	EEC SOCKET SINGLE-PHASE 220V	32A
7		105111510	EEC SOCKET THREE-PHASE 380V	32A
8		307047250	SOCKET 110V 16A	(monofase)
8 a		307017240	EEC SOCKET 16A, 220V 2P+T	(monofase)
9		108011180	SPACER	
11		209500015	PCB, ENGINE CONTROL EP1	(SR-EP1)
12		209717027	BLIND PLATE, EP	
13		103011310	VOLTMETER	
14		105511810	HOURMETER	(50 Hz)
14 a		205187330	HOURMETER (60HZ)	(60 Hz)
15		1302220	WARNING LIGHT 220V	
16		1302160	WARNING LIGHT 110V	
17		1302040	WARNING LIGHT 12V	
18		219937105	GROUNDFAULT INTERRUPTOR (GFI)	(4 poli) (105111540 in dist.)
19		219937036	BRACKET	
20		219937130	COVER GFI	
21	A	1291230	FUSE	(10 A) era 1291130
21 a	A	1291260	FUSE	(20 A) era 1291060
22		107509045	HOLDER, FUSE	
23		219937228	BRACKET	
24		219937234	BRACKET	
25		219937235	COVER	
26		208019800	PCB, WELDING CONTROL	
27		107509870	AUXILIARY TRANSFORMER	
28		209719850	PCB EV/ES	
29		209509871	TRANSFORMER	(SR-EP1)
30		101131370	U-BOLT	(SR-EP1)
31		107509700	WELDING CURRENT REGULATOR	
31 a		207409760	POTENTIOMETER	(SR-TS 250)
32		107509702	KNOB,WELDING CURRENT REGULAT.	
33		207409751	KNOB WELDING CURRENT REGULAT.	(SR-TS 250)
34		107302570	VIBRATION-DAMPER	
35		102044400	WELDING SOCKET (-)	(-)
36		102301310	WELDING SOCKET (+)	(+)
38		107509060	SWITCH,REMOTE CONTROL	
39		209509910	FEMALE CONNECTOR WITH CABLES	
40		107507032	BLIND PLATE REMOTE CONTROL	
41		107302460	STARTER KEY	
43		6062050	CAP	
44		219939801	PLATE	
45		219937020	FRONT PANEL	
46		700409860	ANTI-JAMMING FILTER	
47		217609654	BOX PROTECTION PCB WELDER	
48	B	317619199	RELAY 12V 70A	fino a matricola -----
49	B	1260570	CONDENSER	fino a matricola -----

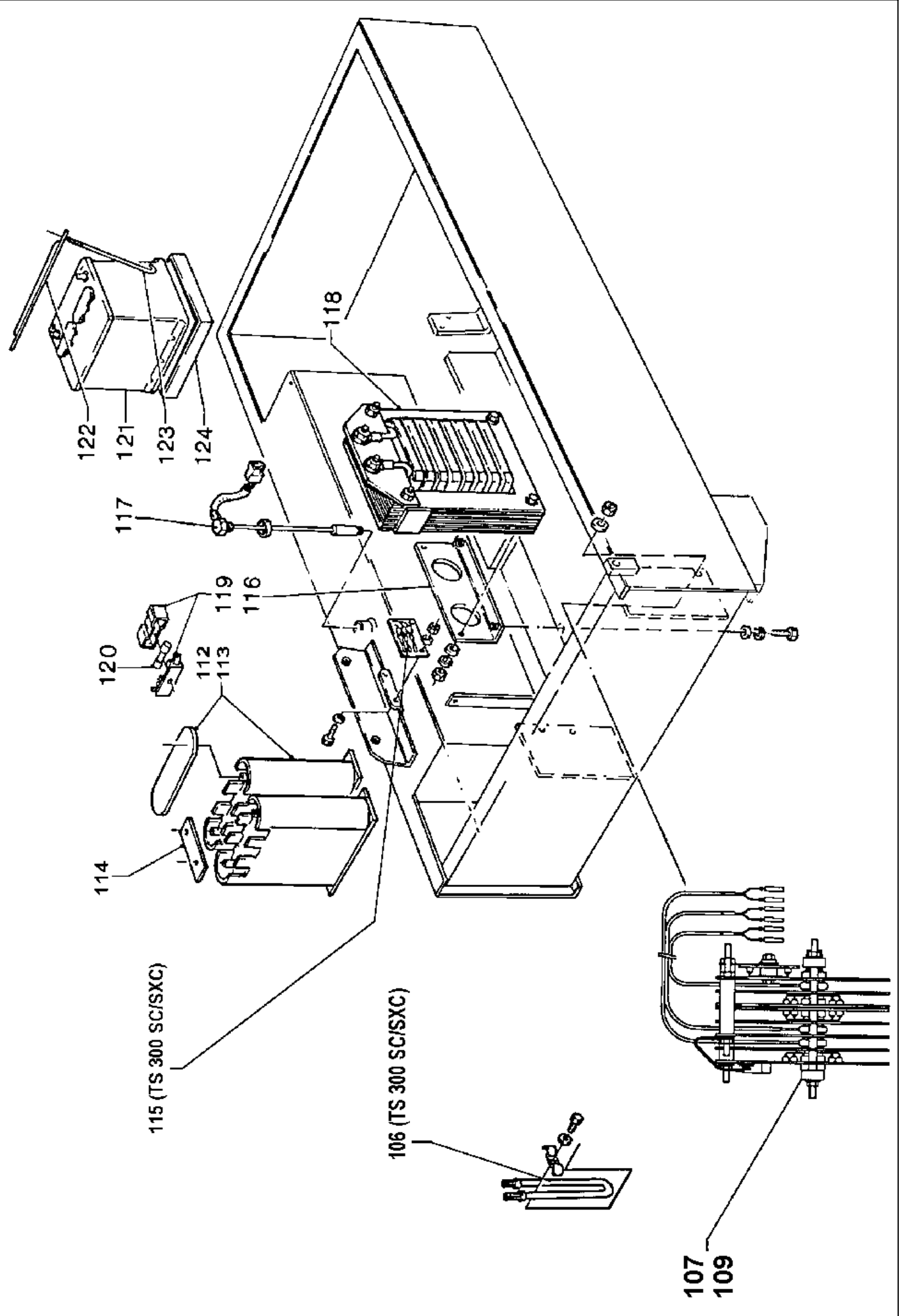


*		
63	400Y 230I 48I ca 400Y 230IX3	TS 250
63A	400Y 230I 110IX2 cte 110IX4 cte	TS 250
63B	400Y 230I 48I ca	TS 300
63D	230Y 230IX3 60HZ	TS 300
63E	400Y 230I 110IX2 cte	TS 300

Tavole Ricambi

Modello **DI** **TS 300 SC e SXC/EL**

Tavola		DI	2	
Pos.	Rev.	Cod.	Descr.	
56		309503037	ROD, ROTOR-FIXING	
57		209716010	FAN COVER	
58		107301420	FAN	
59		309501035	SUPPORT, FLEXIBLE	
60		309503045	ALTERNATOR FLANGE	
61		6050050	RING, SEEGER	
62		1001060	BEARING	
63		209703020	STATOR	TS 250 400/230/48
63 a	A	219713025	STATOR	TS 250 400/230/110
63 b		219823025	STATOR	TS 300 400/230/48
63 d		273603025	STATOR	60 Hz (speciale)
63 e		219863025	STATOR	TS 300 400/230/110
64		309503030	SHAFT WITH ROTOR	
65		309503036	TIE-ROD	
66		309503040	FLANGE	
67 a		209502200	RUGGERINI ENGINE RD210 (M8975)	
68		209812035	ENGINE SUPPORT CROSSBAR	
69		105112020	VIBRATION DAMPER	
70		307012037	PROTECTION, VIBRATION-DAMPER	
71		209712232	BRACKET	no EP1 version
72		209712206	PIPE, FUEL	
73		209702228	PRE-FILTER DIESEL	
74		309409060	SOLENOID VALVE	no EP1 version
75		209712205	PIPE, FUEL	
76		102011190	FILTER, FUEL	
77		209702242	PIPE FITTING	
78		209702207	PIPE, FUEL	
79		309409061	NON RETURN VALVE	no EP1 version
80		309402225	SCREW, DRILLED	no EP1 version
81		102043150	SUPPORT, FUEL FILTER	
82		219932070	EXHAUST PIPE	
83		209712077	FLEXIBLE PIPE	(QM)
84		209702241	SUPPORT, FILTER	
85		209702203	PIPE, FUEL	
86	A	6087740	<i>Manca la descrizione aggiuntiva</i>	era 6087720
87		209812230	LEVER	(SR) EP1 version
89	A	'0000219869050	SOLENOID ECON./ACCEL.	era 274009055 (EP1 Version)
90	A	'0000219869055	SOLENOID,STOP	(EP1 Version)
95		209503038	RING FOR FAN	
96		1229810	FLEXIBLE PIPE (MT.1)	(QM)

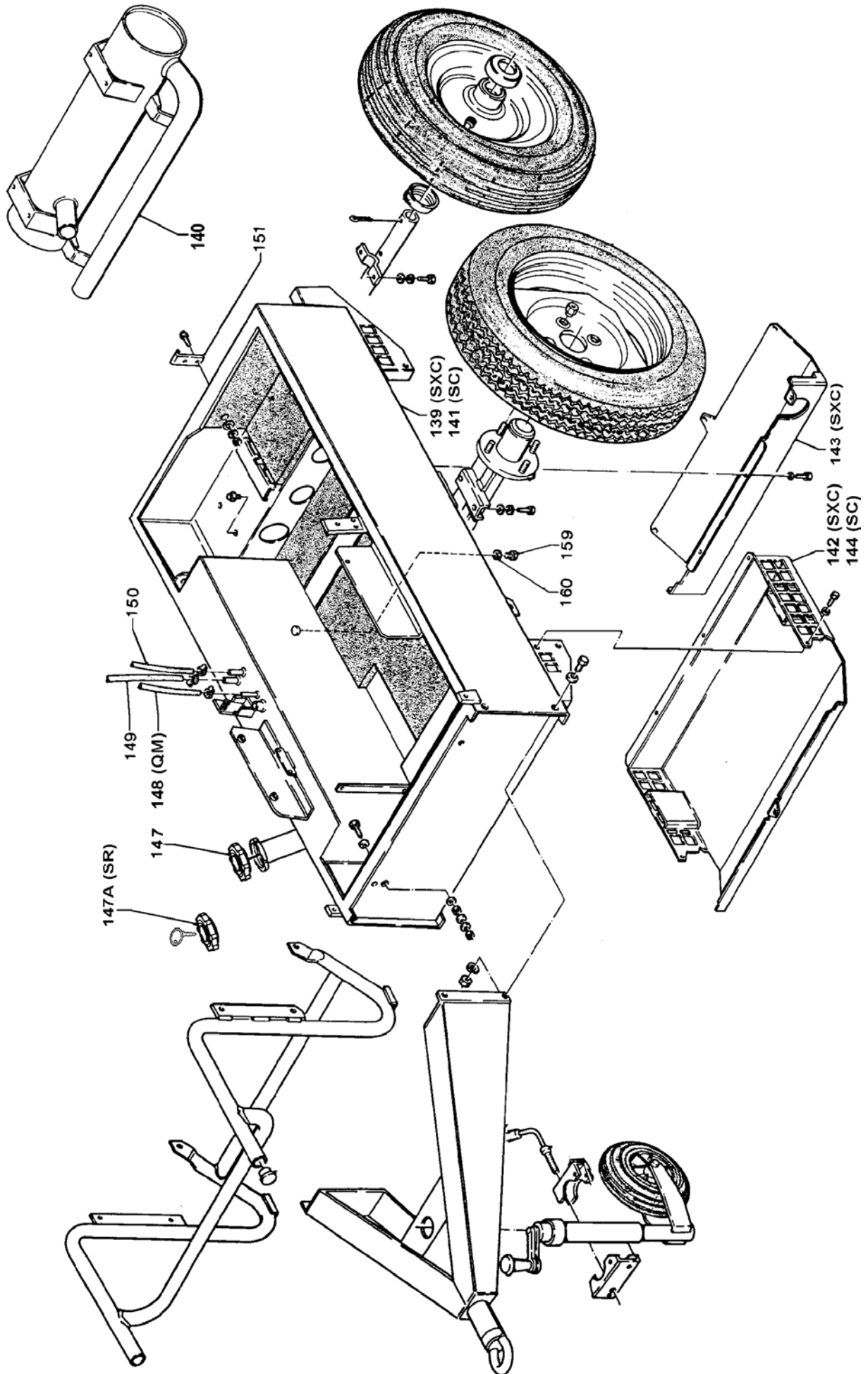


Tavole Ricambi

Modello **DI** TS 300 SC e SXC/EL

Tavola **DI** 3

<i>Pos.</i>	<i>Rev.</i>	<i>Cod.</i>	<i>Descr.</i>	
106		309509065	RESISTOR PRITT	TS 300 SC-SXH
107	a	219865100	DIODE BRIDGE	
109		217605091	DIODE BRIDGE BRACKET	
112		209719882	CAPACITOR BOX BRACKET	
113		209719880	CAPACITOR BOX 55MF	
114		107509041	CONNECTING PLATE-CAPACITOR BOX	
115		309509035	DIODES UNIT, PRITT	TS 300 SC-SXH
116		209714110	SUPPORT, REACTOR	
117		305719875	FLOAT	
118		209504100	REACTOR	
119		309850525	HOLDER,FUSE	
120		1291120	FUSE	
121		102041790	BATTERY 50AH	
122		209509152	BRACKET, BATTERY FIXING	
123		105611270	TIE ROD, BATTERY	
124		102042380	HOLDER, BATTERY	

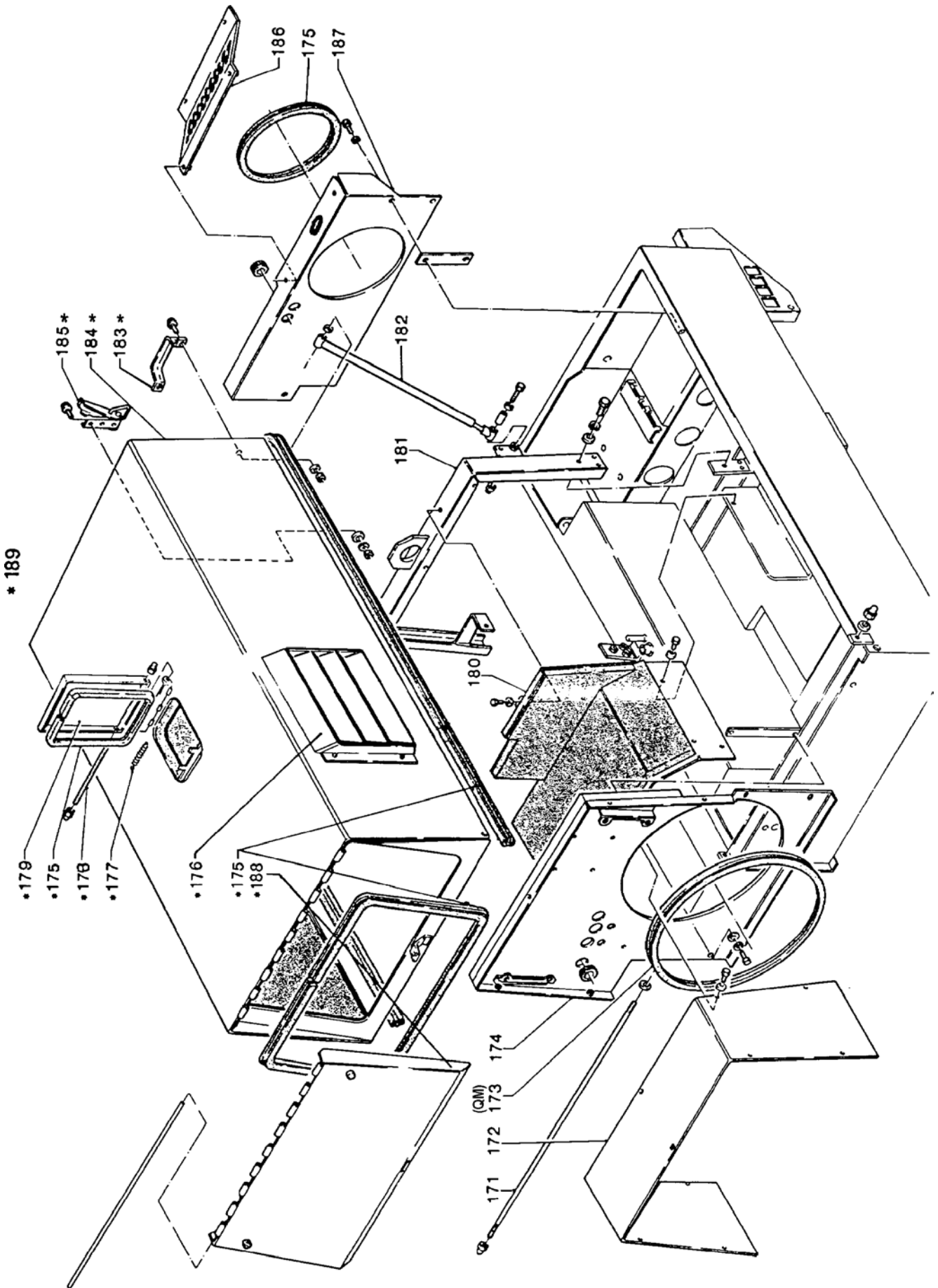


Tavole Ricambi

Modello **DI** **TS 300 SC e SXC/EL**

Tavola **DI** **4**

<i>Pos.</i>	<i>Rev.</i>	<i>Cod.</i>	<i>Descr.</i>	
139		319930501	CRANKASE (VERS.SX/C)	
140		309702050	MUFFLER, EXHAUST	
141		219931050	CRANKCASE (VERS.S/C)	
142		219930514	INDUCTION CASE	
143		319930515	BOX, EXHAUST	
144		309708200	ALTERNATOR INTAKE BOX	
147		342202026	CAP, FUEL TANK	
147	A	317802026	CAP, TANK	(SR)
148		107301890	PIPE, BREATHER (L=MT.1)	
149		107502208	PIPE	
150		209702203	PIPE, FUEL	
151		107300180	LATCH	
159		308101262	FUEL TANK CAP	
160		308102023	GASKET	



Tavole Ricambi

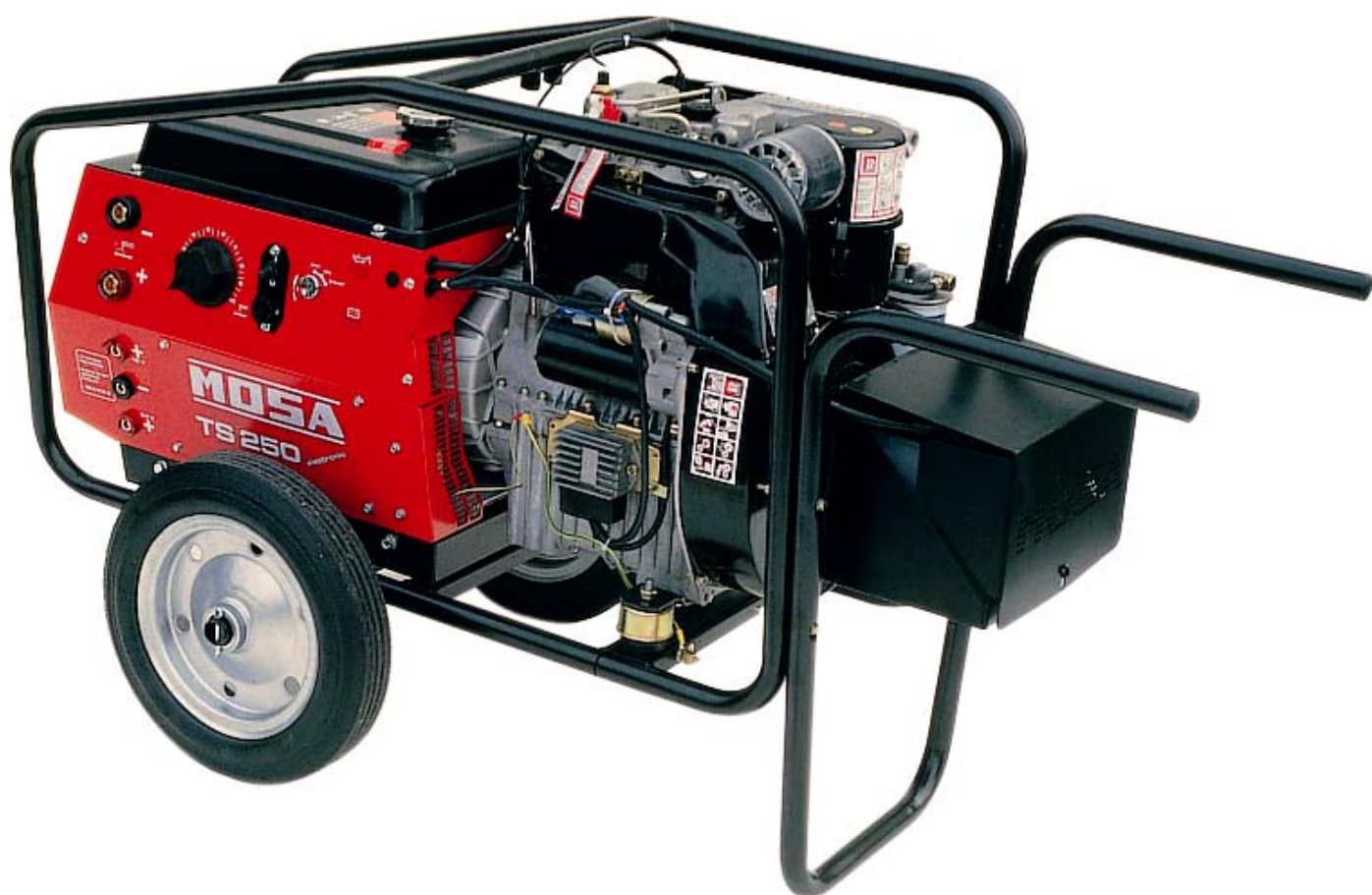
Modello **DI** TS 300 SC e SXC/EL

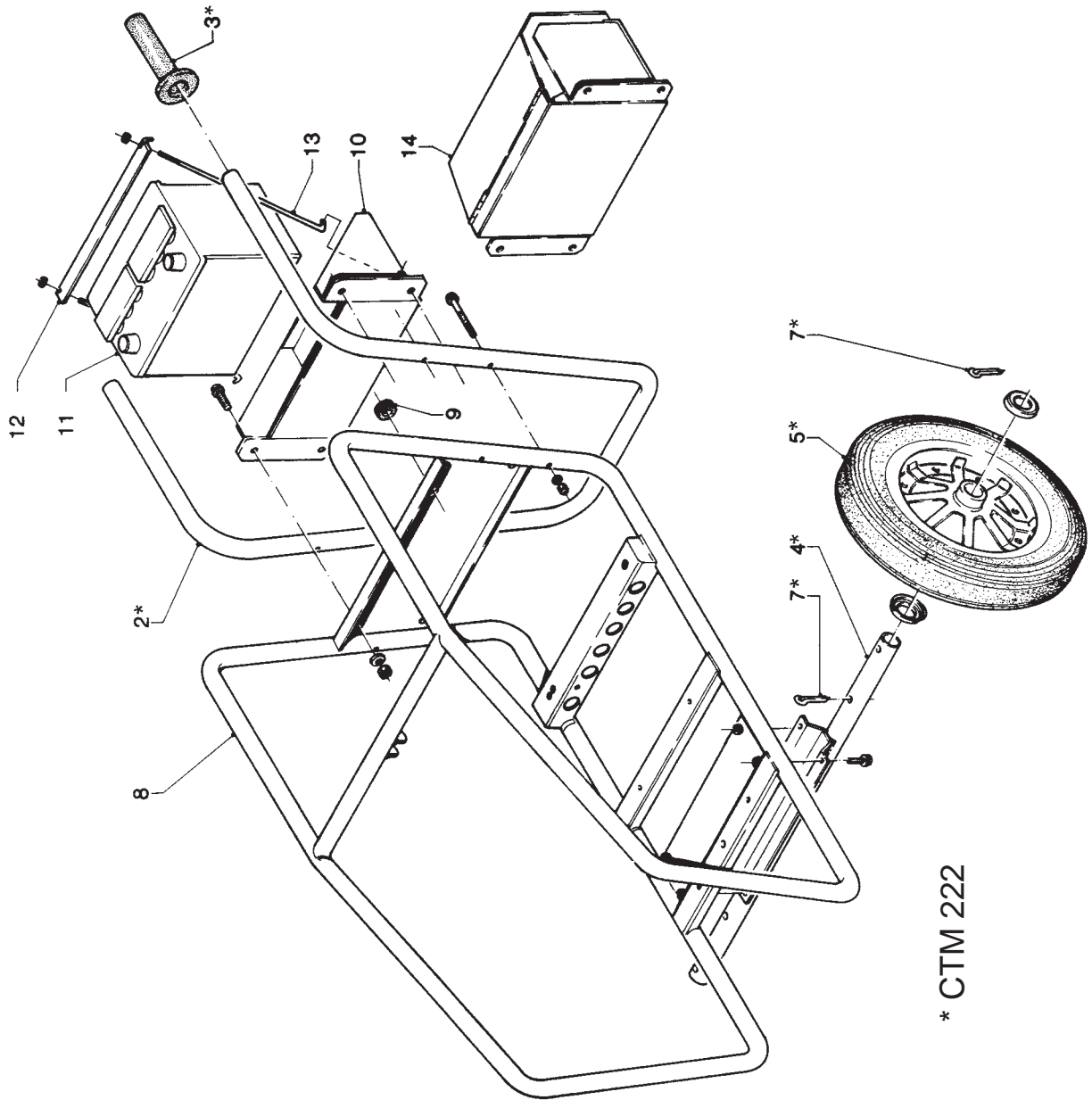
Tavola **DI** 5

<i>Pos.</i>	<i>Rev.</i>	<i>Cod.</i>	<i>Descr.</i>	
171		209718024	HINGE PIN	
172		209718121	COVER, ELECTRICAL BOX	
173		102302280	GASKET (L=MT.1)	
174		219930512	INLET WALL	
175		105112270	STRIP, SEALING (L=MT.1)	
176		209808065	SCREEN, AIR OUTLET	
177		102042870	SPRING	
178		209718073	TIE-ROD	
179		209718070	COVER	
180		219930513	COVER,ALTERNATOR	
181		209711100	ROLL BAR	
182		209508115	SUPPORT, AIR INLET WALL	
183	A	343339601	KNOB	Era 207509601
185		107300180	LATCH	
186	A	219828230	ENGINE INTAKE GRATE	
187	A	219828200	ENGINE INTAKE COVER	
188		209748100	FRONT COVER	
189		219938280	COVER UNIT	(EV)

MOSA

TS 250 D

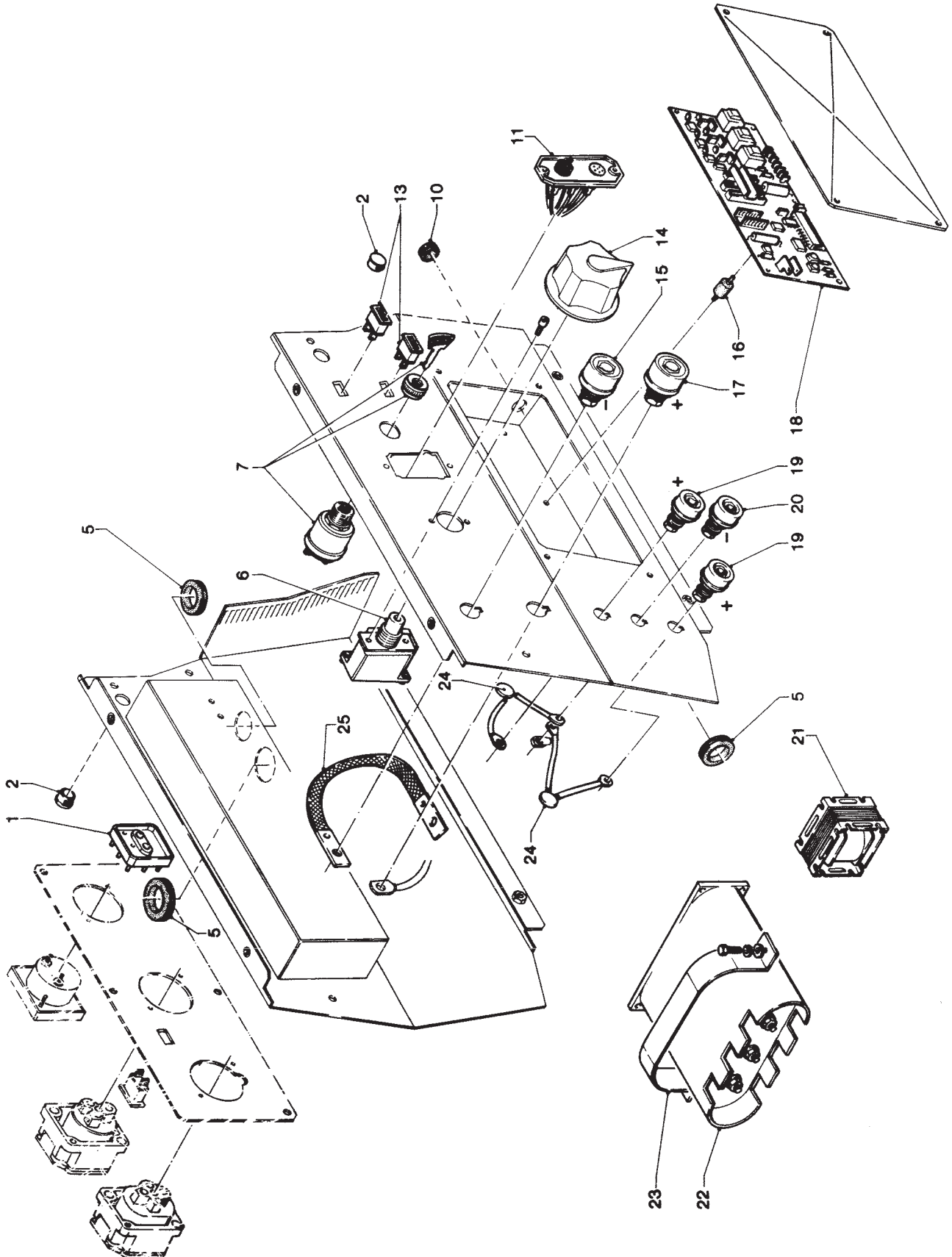




Tavole Ricambi

Modello **DG** **TS 250 D/EL**

Tavola DG 6			
<i>Pos.</i>	<i>Rev. Cod.</i>	<i>Descr.</i>	
0	220010130	CTM222 KIT TRAINO MANUALE	(*)
2	208101051	MANIGLIA	
3	219861159	MANOPOLA	era 102044070
4	210011160	ASSALE	
5	102042490	RUOTA	
7	6075020	COPIGLIA	
8	120211050	BARELLA	
9	1030060	PASSACAVO	era 1030030
10	107012120	CESTELLO BATTERIA	
11	102041790	BATTERIA 50 AH	
12	102041420	TRAVERSA	
13	105611270	TIRANTE PER BATTERIA	
14	209039160	CESTELLO PORTA BATT.(CON COP.)	

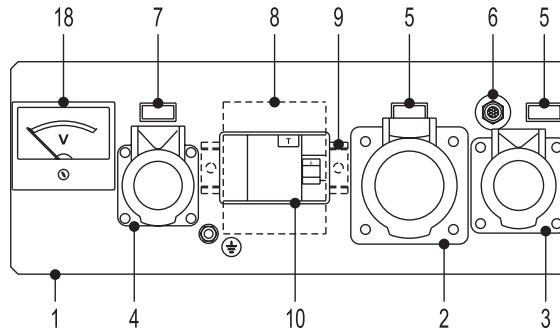


Tavole Ricambi

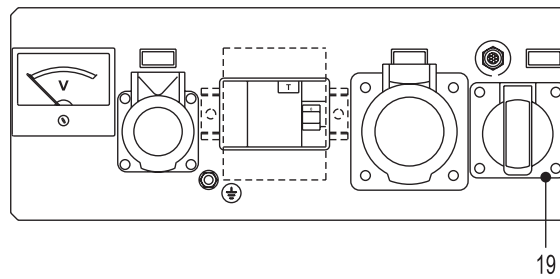
Modello DG TS 250 D/EL

Tavola		DG	7	
Pos.	Rev.	Cod.	Descr.	
1		307407226	MORSETTIERA	
2		6062080	TAPPO	
5		1030060	PASSACAVO	
6		107509700	POTENZIOMETRO	
7		107302460	STARTER A CHIAVE	
10		1030100	PASSACAVO	
11		209510017	PREDISPOSIZIONE CD2	era 107507030
13		1302040	SPIA 12V	
14		107509702	MANOPOLA REG.CORRENTE SALDAT.	
15		102044400	PRESA DI SALDATURA (-)	
16		282009807	DISTANZ. ISOLANTE PER SCHEDE	era 107302570
17		102301310	PRESA DI SALDATURA (+)	
18		208019800	SCHEDA DI CONTROLLO SALDATURA	
19		106021220	PRESA DINSE	(+)
20		101131220	PRESA DINSE	(-)
21		107509870	TRASFORMATORE	
22		305159880	BOX CONDENSATORI	
23		307017037	STAFFA	
24		208019011	SOPPRESSORE PROTEZ.PONTE DIODI	
25		208019890	SHUNT	

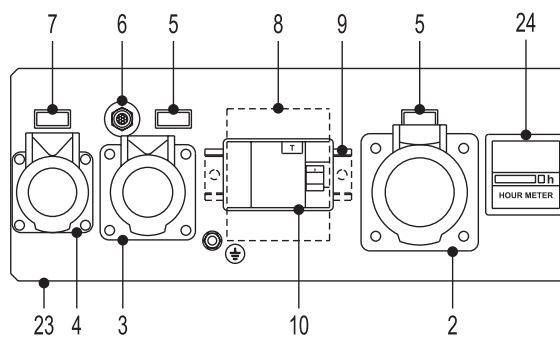
(Versione 400T 230M 48M - Europa)



(Versione schuko) (SR)



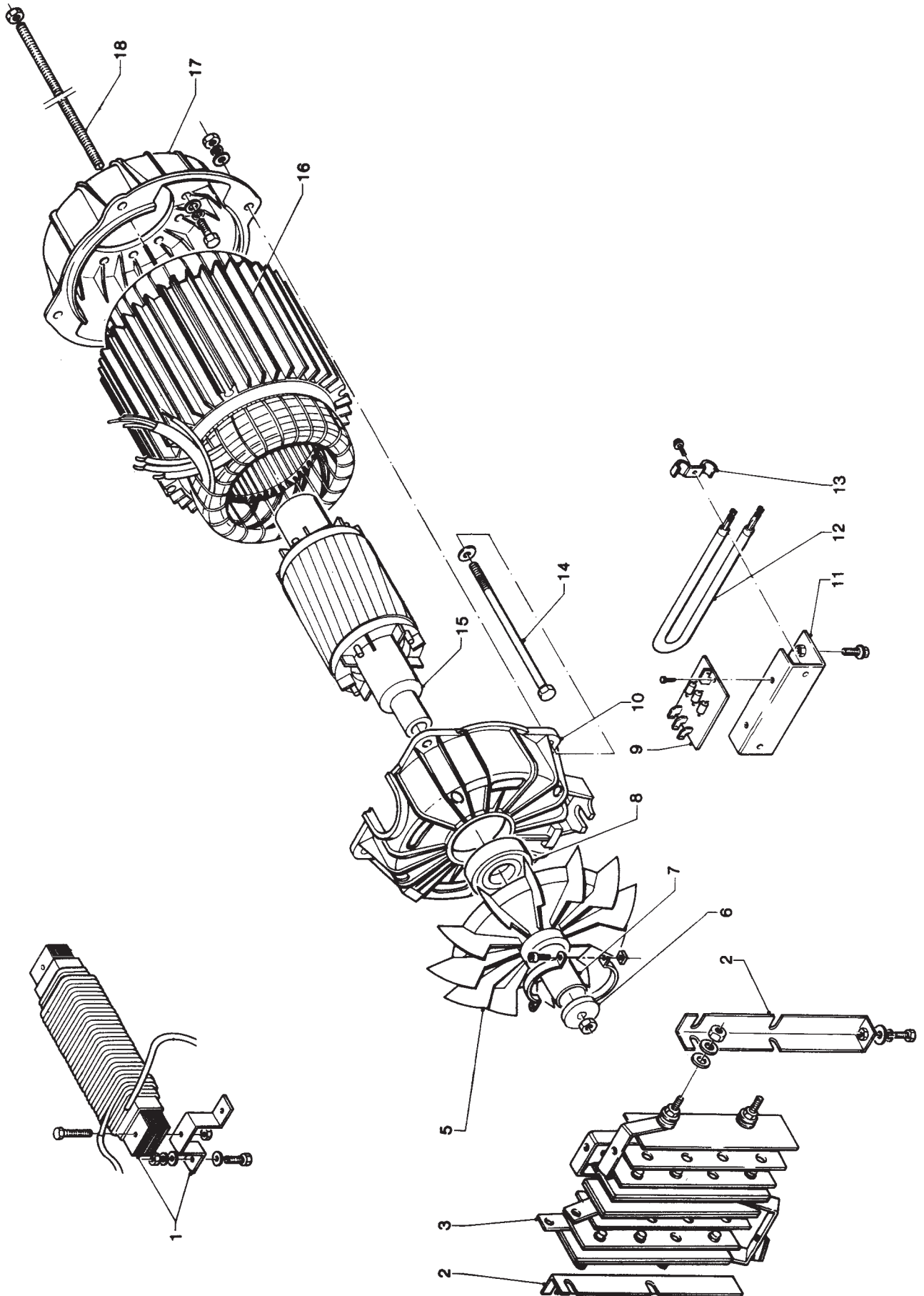
(Versione con contaore) (SR)



Tavole Ricambi

Modello **DG** **TS 250 D/EL**

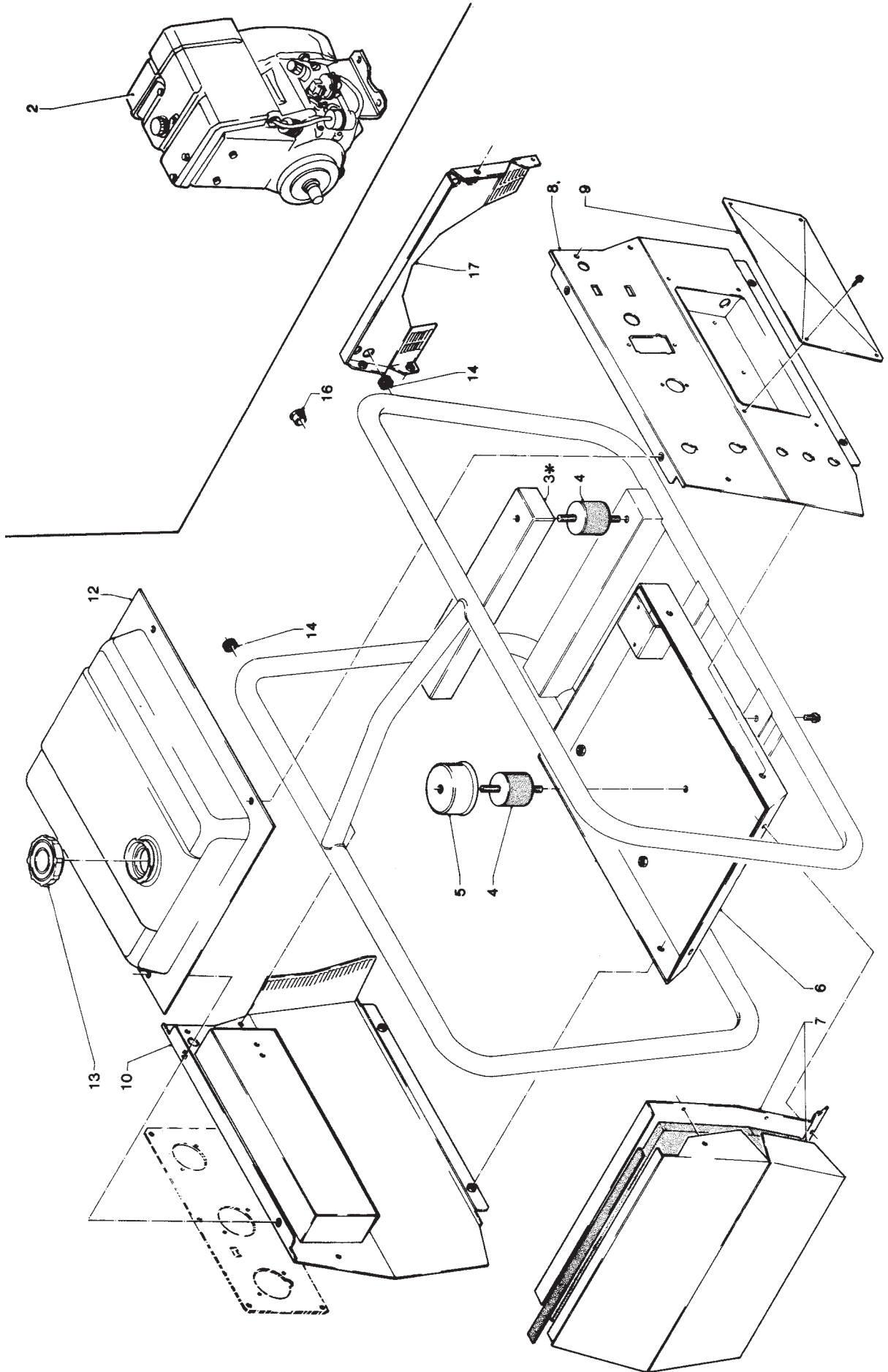
Tavola		DG	8
<i>Pos.</i>	<i>Rev.</i>	<i>Cod.</i>	<i>Descr.</i>
1		220337020	PANNELLO FRONTALE
2		305907270	PRESA CEE 16A 400V 3P+N+T
3		307017240	PRESA 220V 16A
4		218137280	PRESA CEE 48V 32A
5		1302220	SPIA 220V
6		155307107	DISGIUNTORE TERMICO
7		1302080	SPIA PER 48V
8		105111540	Vedi Cod.219937105
9		232027036	GUIDA
10		232027130	CAPPUCCIO PROTEZIONE I.D.
18		103011310	VOLTMETRO
19		259107241	PRESA SCHUKO 16A 230V - 2P+T (SR) (Versione SHUKO)
23		220307020	PANNELLO FRONTALE (SR) (Versione con CONTAORE)
24		105511810	CONTAORE (SR) (Versione con CONTAORE)



Tavole Ricambi

Modello DG TS 250 D/EL

Tavola		DG	9	
Pos.	Rev.	Cod.	Descr.	
1		220014100	REATTORE COMPLETO	
2		210015041	STAFFA	
3		120295100	PONTE DIODI	era 210015100
5		210016020	VENTOLA	
6		120213038	RONDELLA DI SICUREZZA	
7		210013039	DISTANZIALE	
8		1001060	CUSCINETTO	
9		309509035	UNITA' DIODI PRITT	
10		309503045	FLANGIA PORTA ALTERNATORE	
11		208109067	STAFFA	
12		309509065	RESISTENZA DI PRITT	
13		232129658	PIASTRINA FISSAGGIO RESISTENZA	era 102047010
14		107011280	TIRANTE	
15		120213030	ALBERO CON ROTORE	
16		220133025	STATORE	
17		309503040	FLANGIA	
18		120213036	TIRANTE ALBERO ROTORE M18X1,5	



Tavole Ricambi

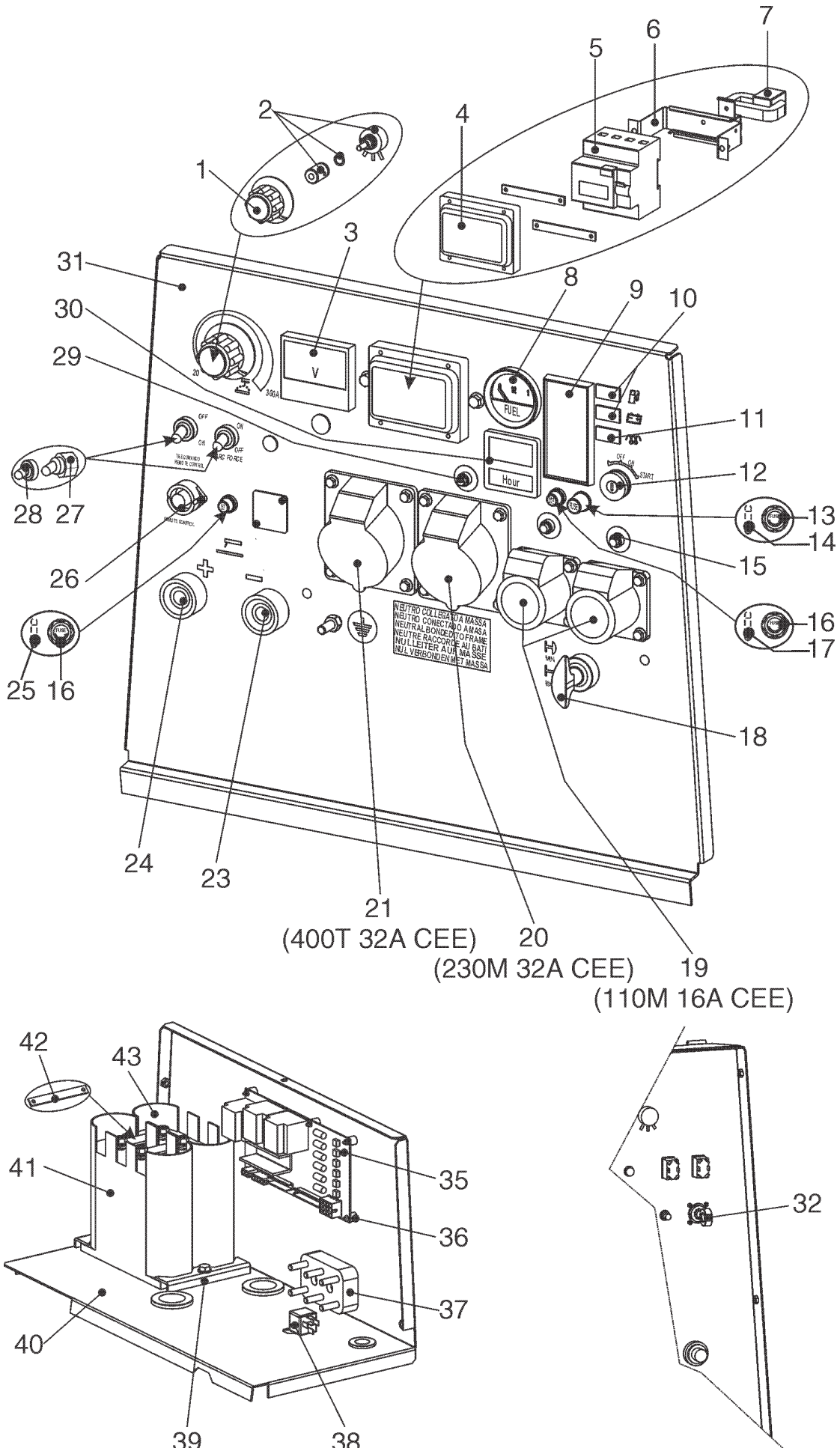
Modello DG TS 250 D/EL

Tavola		DG	10
Pos.	Rev.	Cod.	Descr.
2		120292200	MOTORE RUGGERINI RD210 (M8994)
3		120212035	TRAVERSA SUPPORTO MOTORE
4		105112020	ANTIVIBRANTE
5		307012037	PROTEZIONE ANTIVIBRANTE
6		210018205	SCATOLA DI BASE
7		210018200	CASSONETTO ASPIRAZIONE (Solo per ricambi)
8		210018003	FIANCATA DX
9		210018122	COPERCHIO SCHEDA SALDATURA
10		220018004	FIANCATA SX
12		210012020	SERBATOIO
13		102041740	TAPPO
14		1030100	PASSACAVO
16		6062080	TAPPO
17		210018247	PARATIA

MOSA

TS 300 SXY

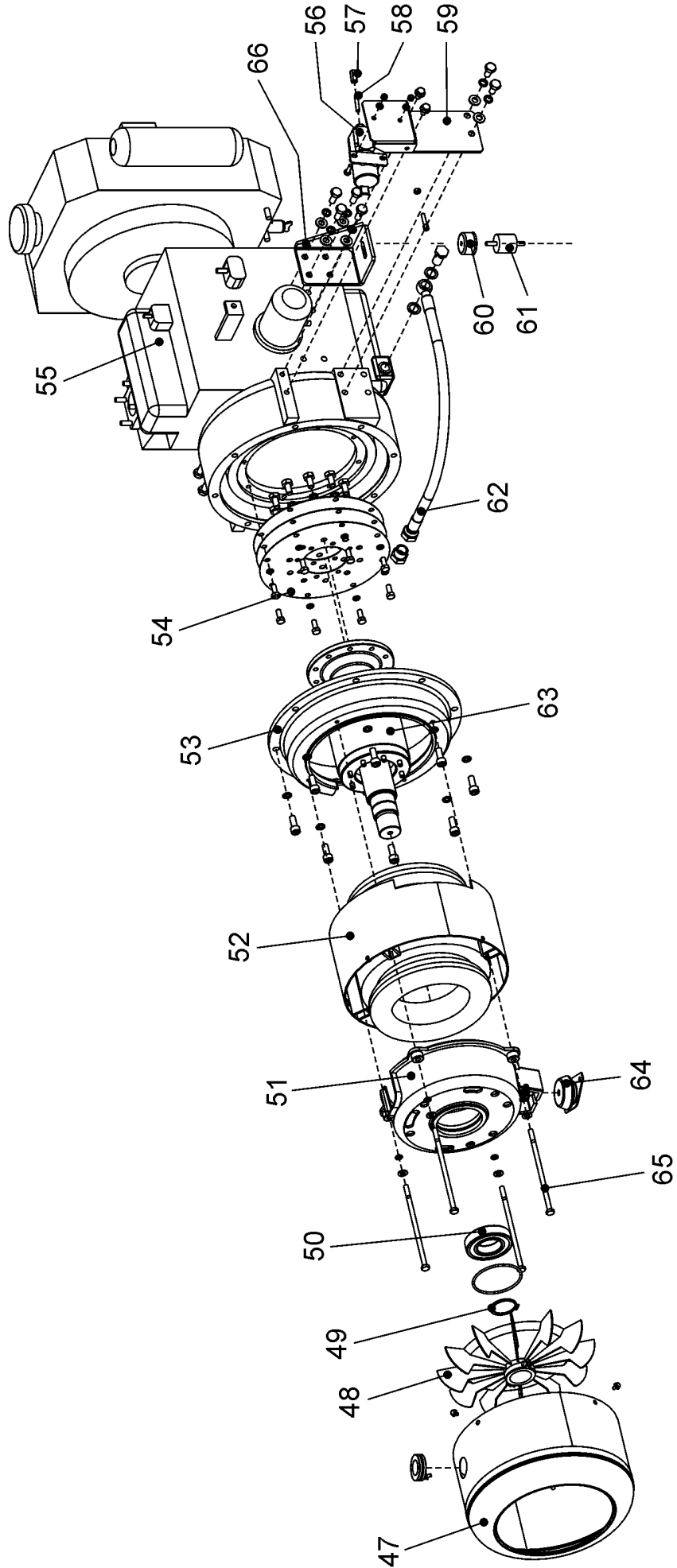




Tavole Ricambi

Modello **DU** **TS 300 SY/SXY-BC**

Tavola		DU	1
<i>Pos.</i>	<i>Rev. Cod.</i>	<i>Descr.</i>	
1	308300543	KNOB, REGULATOR COMPLETE	
2	836709715	WELDING CURRENT REGULATOR	
3	105111550	VOLTMETER FS 500V	
4	219937130	COVER GFI	
5	105111540	See part no. 219937105	
6	219937036	BRACKET	
7	209509871	TRANSFORMER	
8	325507210	FUEL LEVEL GAUGE	
9	209500015	PCB, ENGINE CONTROL EP1	
10	1302040	WARNING LIGHT 12V	
11	1302080	WARNING LIGHT FOR 48V	
12	307457055	STARTER SWITCH	
13	103011320	HOLDER, FUSE	
14	1291270	FUSE	
15	155307107	THERMAL SWITCH	
16	307759045	FUSE HOLDER	
17	1291030	FUSE 15A 5X20	
18	872419105	ACCELERATOR LEVER	
19	307047250	SOCKET 110V 16A	
20	105111520	EEC SOCKET SINGLE-PHASE 220V	
21	105111510	EEC SOCKET THREE-PHASE 380V	
23	102044400	WELDING SOCKET (-)	
24	102301310	WELDING SOCKET (+)	
25	1291250	FUSE	
26	107509903	SOCKET	
27	102013290	COMMUTATOR	
28	102042740	CAP	
29	873407107	CIRCUIT BREAKER 30A/250V	
30	105511810	HOURMETER	
31	872417020	COMPLETE PANEL	
32	766019871	LINED TOROIDAL CORE	
35	375209800	WELDING CONTROL PCB	
36	108011180	SPACER	
37	105111830	TERMINAL BOARD	
38	306479199	RELAY, ELECTRIC START	
39	209719882	CAPACITOR BOX BRACKET	
40	872417010	ELECTRICAL BOX	
41	105319880	CAPACITOR BOX	
42	107509041	CONNECTING PLATE-CAPACITOR BOX	
43	107509880	CAPACITOR BOX 3x65	

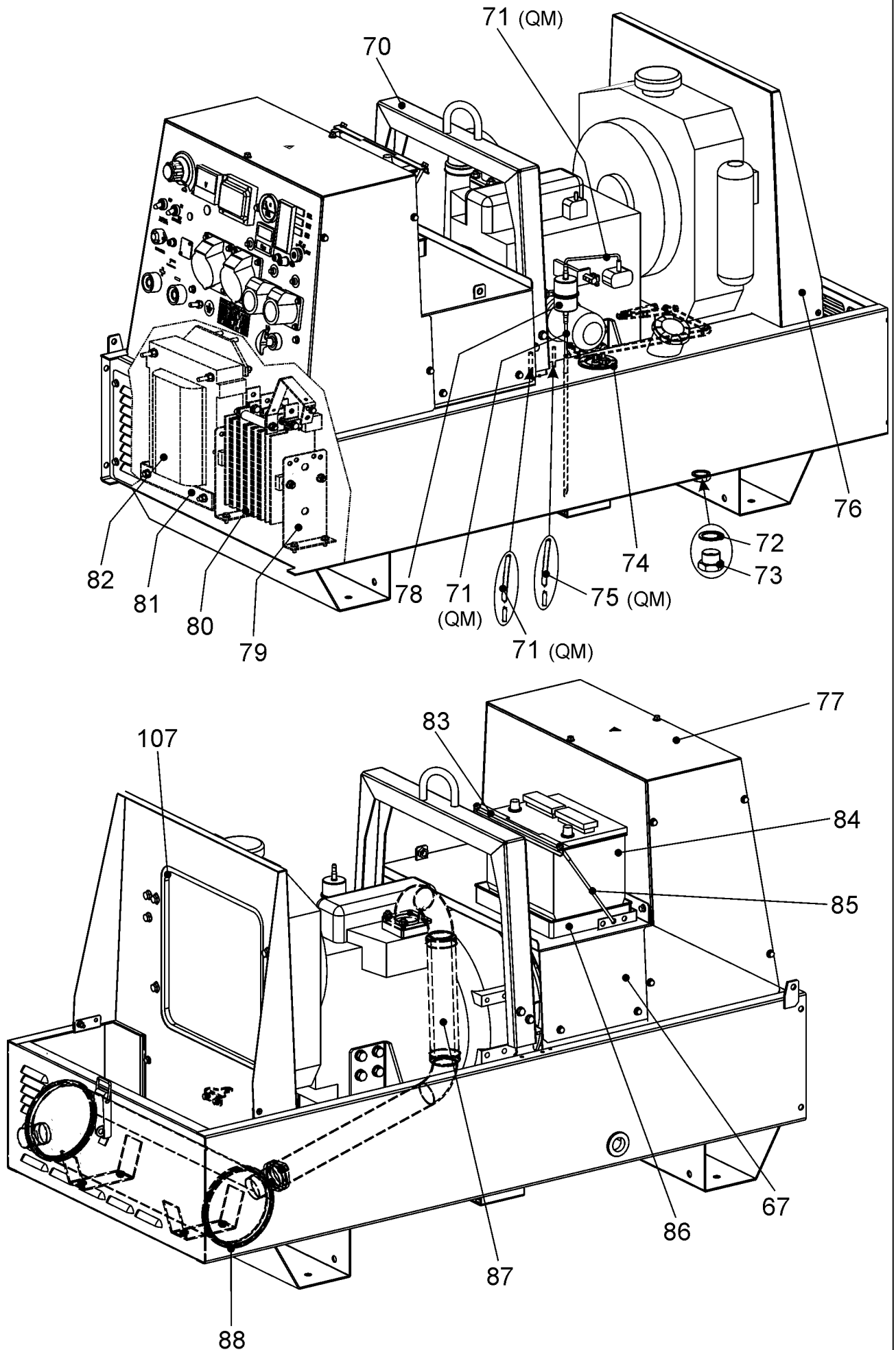


Tavole Ricambi

Modello **DU** **TS 300 SY/SXY-BC**

Tavola **DU** **2**

<i>Pos.</i>	<i>Rev. Cod.</i>	<i>Descr.</i>	
47	872416010	CONVEYOR	
48	210016020	FAN	
49	6050050	RING, SEEGER	
50	1001060	BEARING	
51	309503045	ALTERNATOR FLANGE	
52	872413025	STATOR	
53	872413040	ENGINE ALTERNATOR FLANGE	
54	773703012	DISC	
55	772402200	YANMAR ENGINE 3TNE68-G2A	vers. Mosa
56	219869050	ACCELERATOR SOLENOID	
57	107302860	RING NUT	
58	305519056	TIE ROD	
59	a 773709102	SOLENOID SUPPORT PLATE	
60	307012037	PROTECTION, VIBRATION-DAMPER	
61	105112020	VIBRATION DAMPER	
62	872412212	EXHAUST OIL PIPE	
63	872413030	SHAFT FOR ROTOR	
64	307403106	VIBRATION DAMPER	
65	872413037	STATOR TIE-ROD	
66	773702034	ENGINE SUPPORT BRACKET	

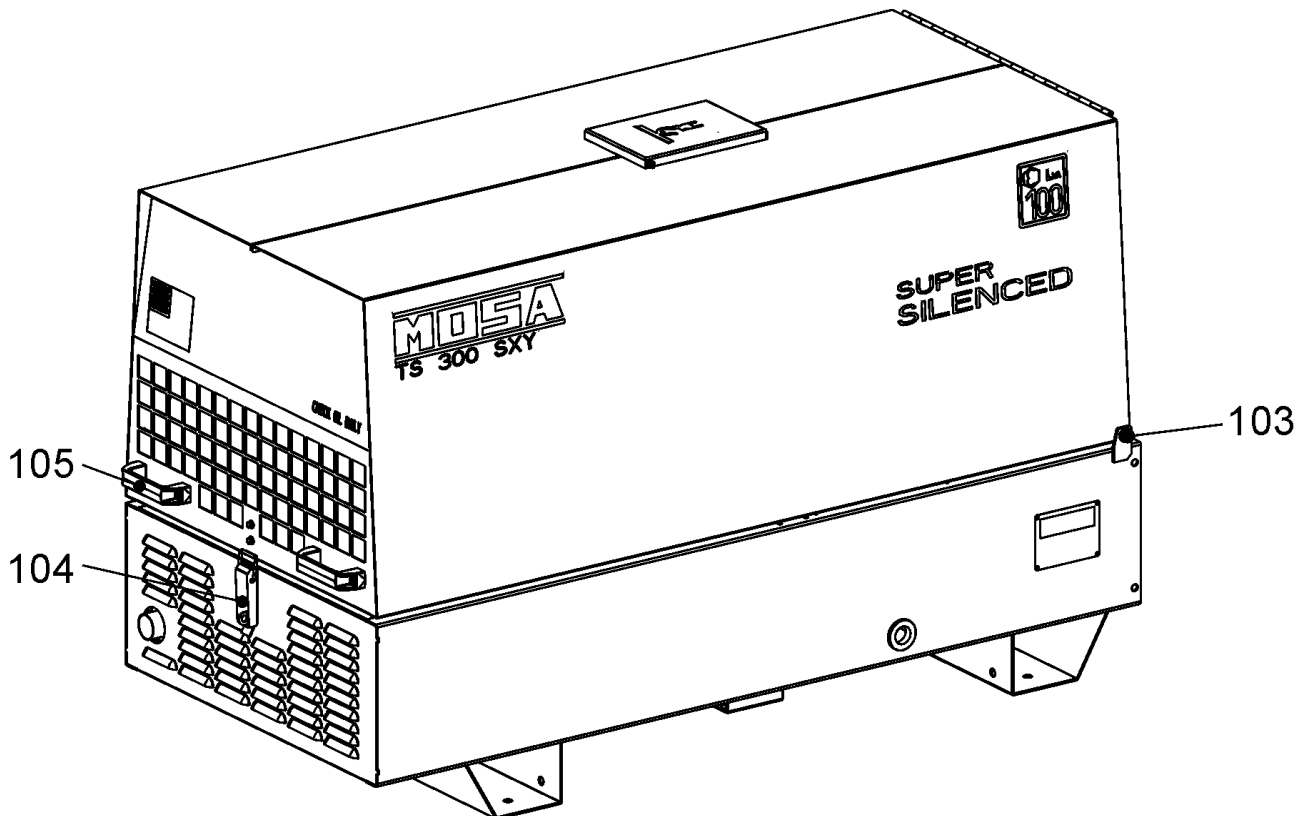
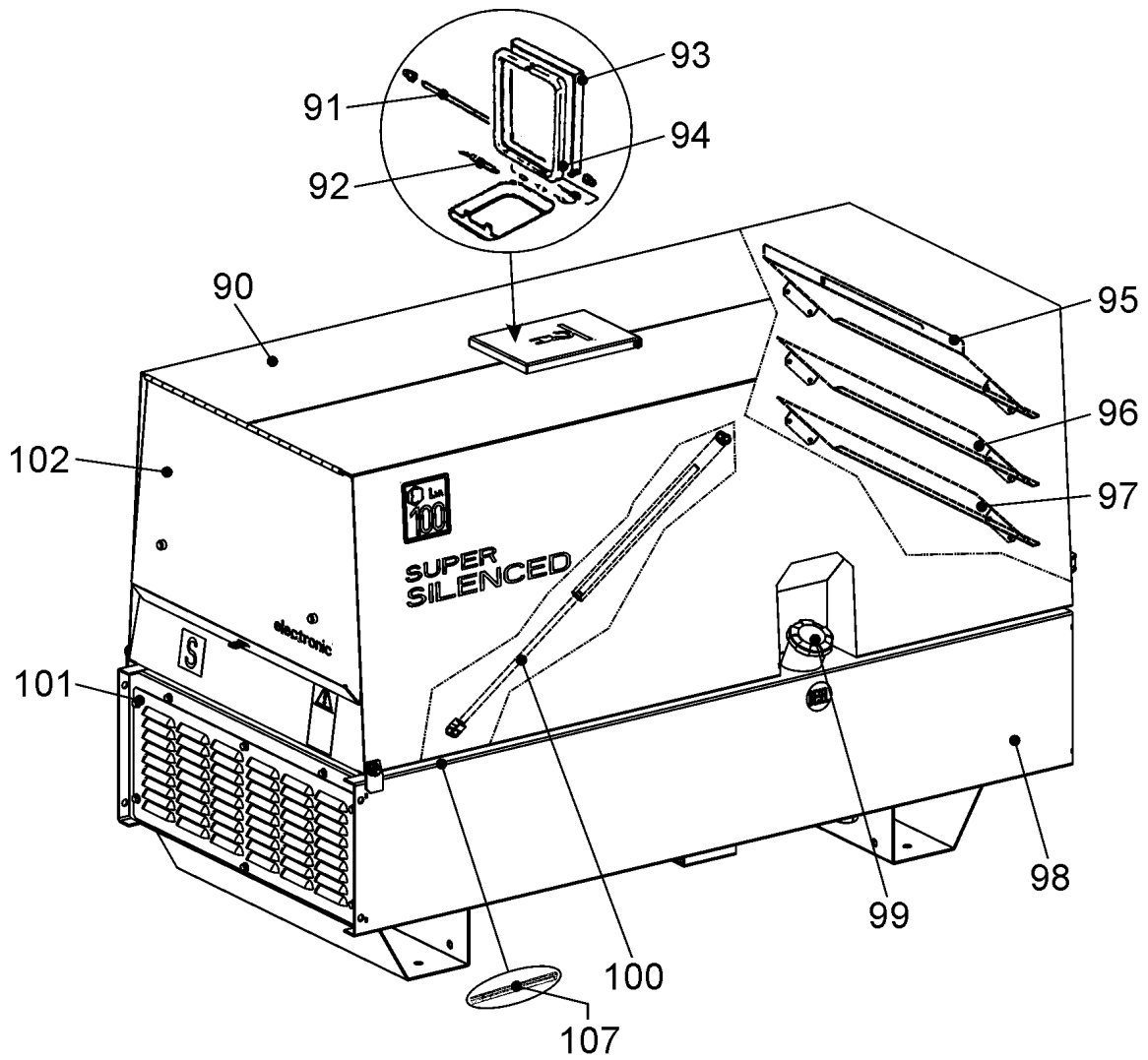


Tavole Ricambi

Modello **DU** **TS 300 SY/SXY-BC**

Tavola **DU** **3**

<i>Pos.</i>	<i>Rev. Cod.</i>	<i>Descr.</i>	
67	872418222	ALTERNATOR COVER	
70	872411100	ROLL-BAR	
71	308102207	PIPE	qm
72	308102023	GASKET	
73	308101262	FUEL TANK CAP	
74	325509975	FUEL LEVEL GAUGE	
75	307402208	RUBBER PIPE	qm
76	872418215	AIR EXHAUST BULKHEAD	
77	872418121	ELECTRICAL BOX COVER	
78	256602228	FUEL FILTER	
79	773715091	BASE DIODE SUPPORT	
80	773715100	DIODE BRIDGE	
81	872414110	REACTOR BRACKET	
82	107654100	REACTANCE	
83	102041420	BRACKET	
84	107301480	BATTERY 60 AH	
85	105611270	TIE ROD, BATTERY	
86	102042380	HOLDER, BATTERY	
87	872412070	EXHAUST PIPE	
88	872412050	EXHAUST MUFFLER	
107	105112270	STRIP, SEALING (L=MT.1)	qm

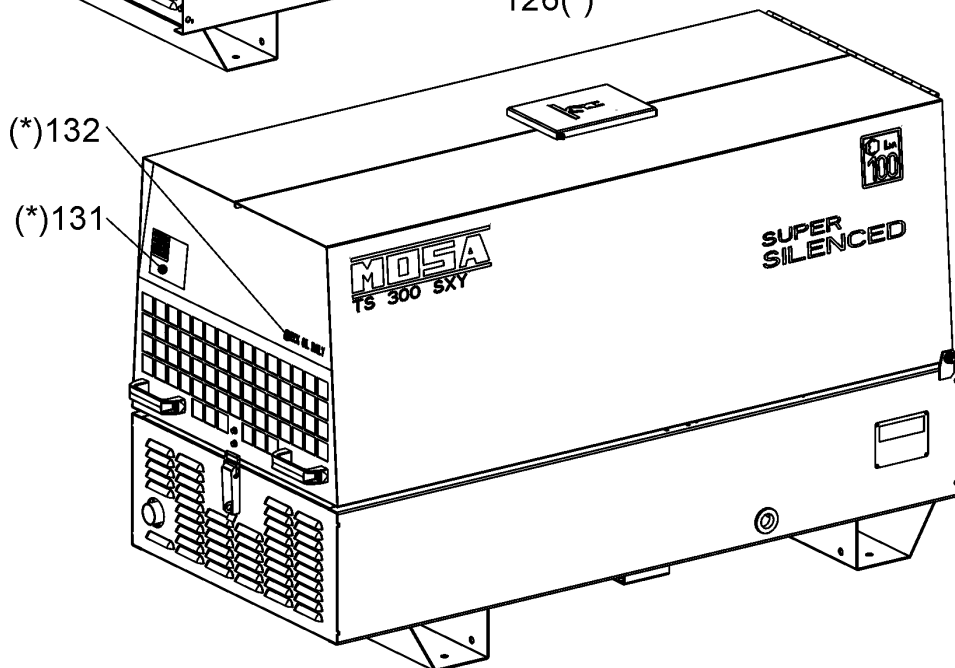
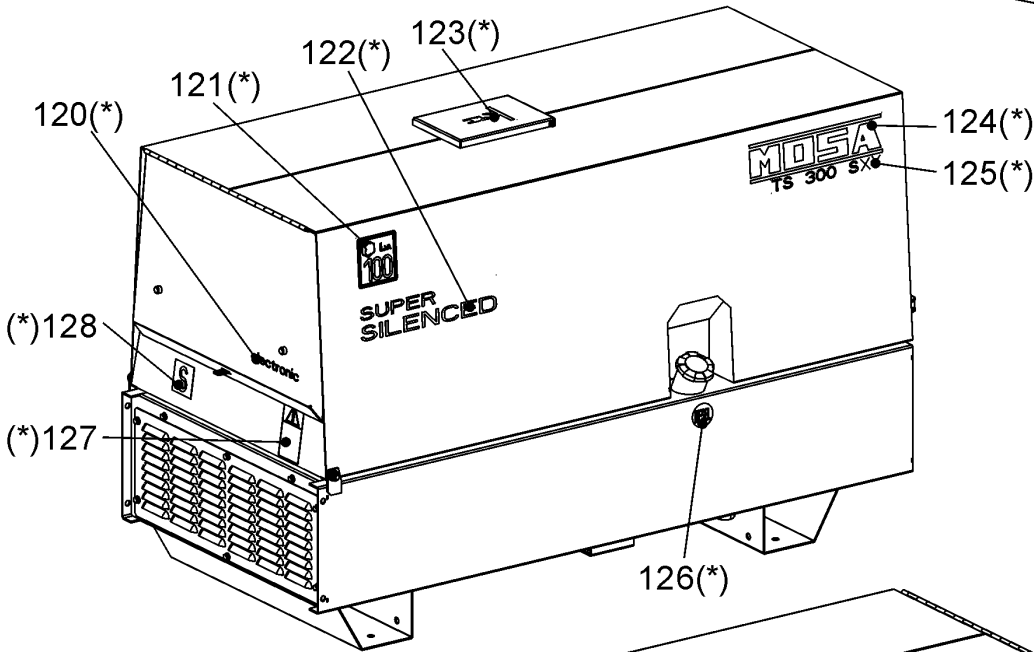
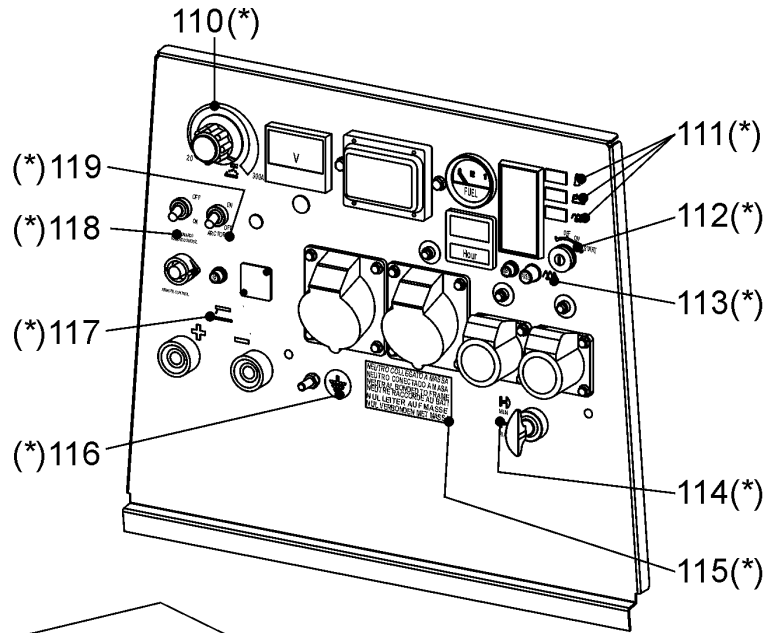


Tavole Ricambi

Modello **DU** **TS 300 SY/SXY-BC**

Tavola **DU** **4**

<i>Pos.</i>	<i>Rev. Cod.</i>	<i>Descr.</i>	
90	872418005	COVER	
91	209718073	TIE-ROD	
92	102042870	SPRING	
93	209718070	COVER	
94	105112270	STRIP, SEALING (L=MT.1)	qm
95	872418067	TOP GRATE SEPARATOR	
96	872418167	MIDDLE GRATE SEPARATOR	
97	872418367	UNDER GRATE SEPARATOR	
98	872411050	BASE	
99	342202026	CAP, FUEL TANK	
100	307508115	SUPPORT, CYLINDRICAL	
101	872411038	BASE PLATE	
102	872418100	FRONT COVER	
103	209718024	HINGE PIN	
104	107300180	LATCH	
105	343339601	KNOB	
107	105112270	STRIP, SEALING (L=MT.1)	qm



Tavole Ricambi

Modello **DU** **TS 300 SY/SXY-BC**

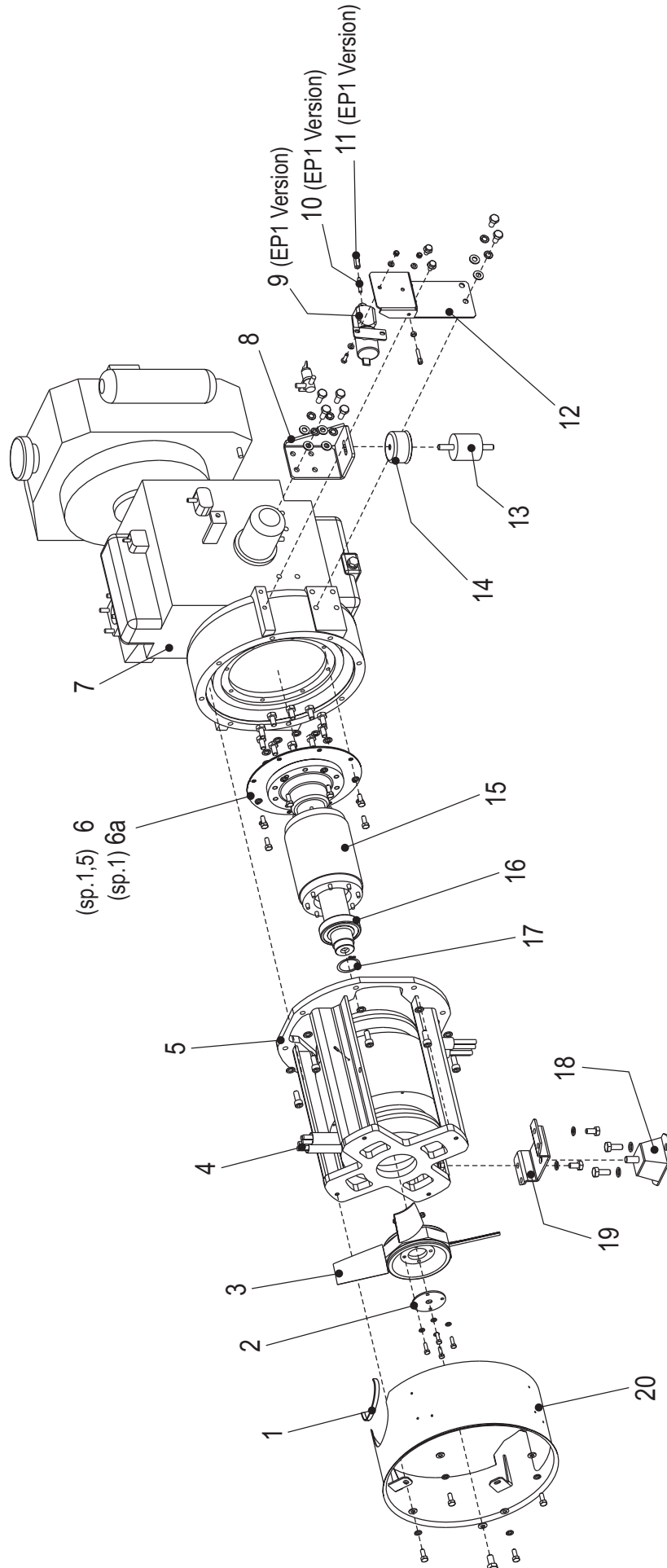
Tavola **DU** **5**

<i>Pos.</i>	<i>Rev. Cod.</i>	<i>Descr.</i>	
110	872410181	STICKER "WELDING CURRENT REG."	
111	872410227	STICKER "CONTROL LIGHTS"	
112	307450228	STICKER "STARTER KEY"	
113	730950227	STICKER "SPARK PLUG"	
114	219930229	STICKER "ACCELERATOR KNOB"	
115	212020225	STICKERS BONDED TO FRAME	
116	207400207	STICKER "EARTH"	
117	307800212	STICKER "WELDING SOCKETS"	
118	773710192	STICKER "REMOTE CONTROL"	
119	372800263	STICKER "ARC FORCE"	
120	209710206	STICKER "ELECTRONIC"	
121	305910196	STICKERS "LWA 100"	
122	309700233	STICKERS "SUPER SILENCED"	
123	209710202	STICKER	
124	209710194	STICKER "MOSA"	
125	872410183	STICKER MACHINE MODEL	
126	107011150	LABEL, FUEL	
127	734500253	STICKER "INSTRUCTIONS MANUAL"	
128	866700239	STICKER "S"	
131	700400250	STICKERS "ATTENTION"	
132	319860227	STICKER "DAILY OIL CHECK"	

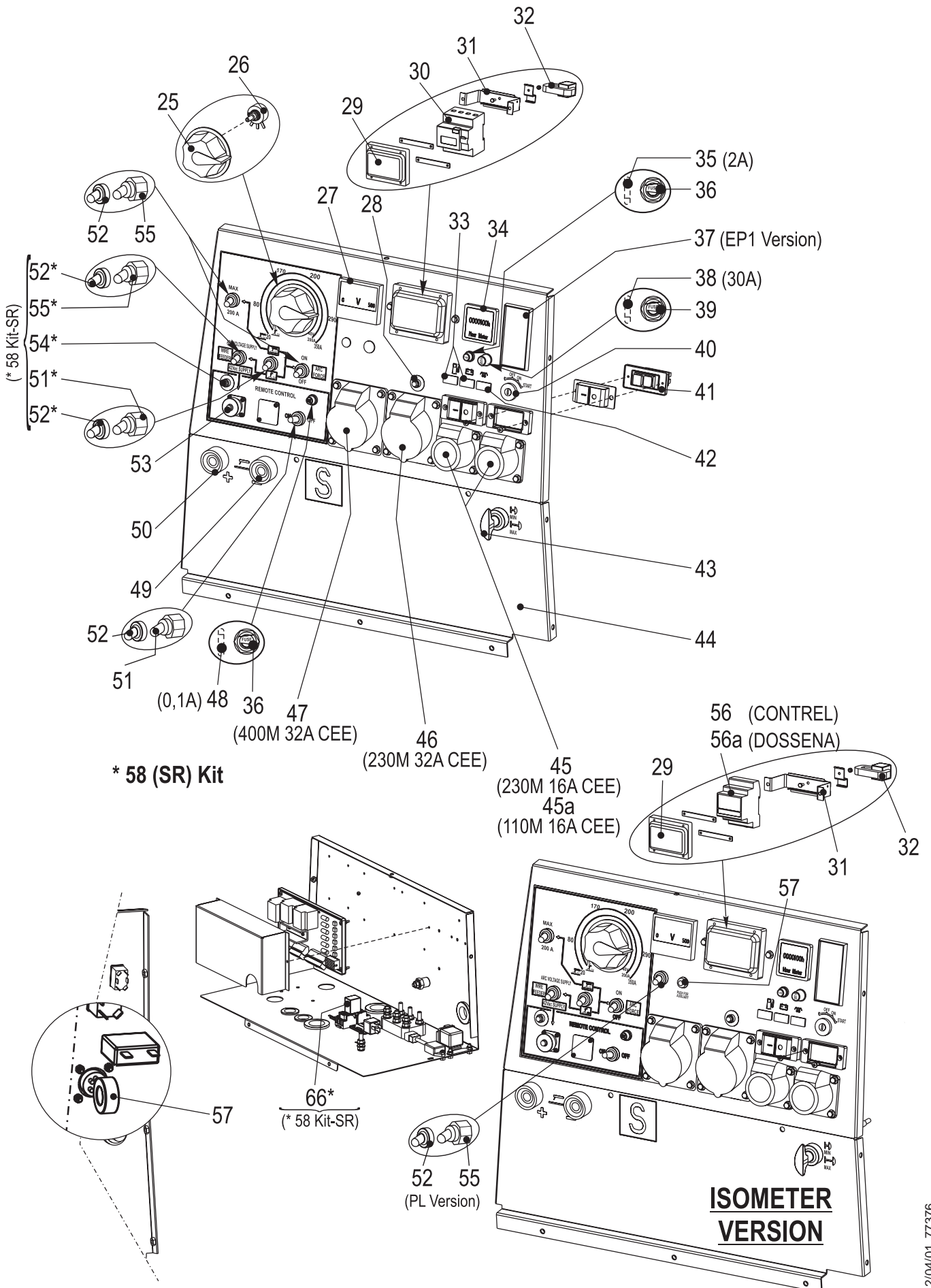
MOSA

TS 350 SY/SXY CC/CV

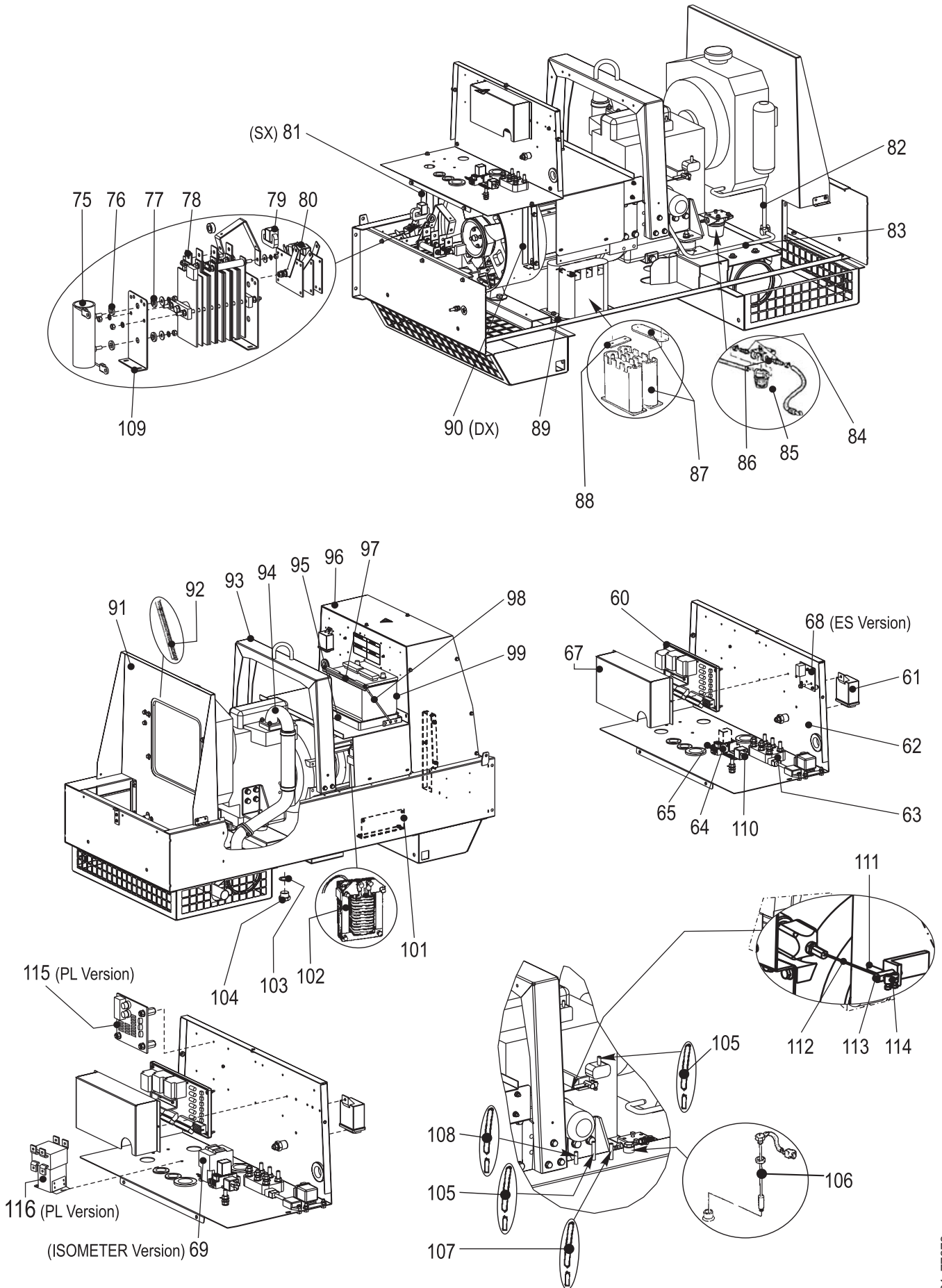




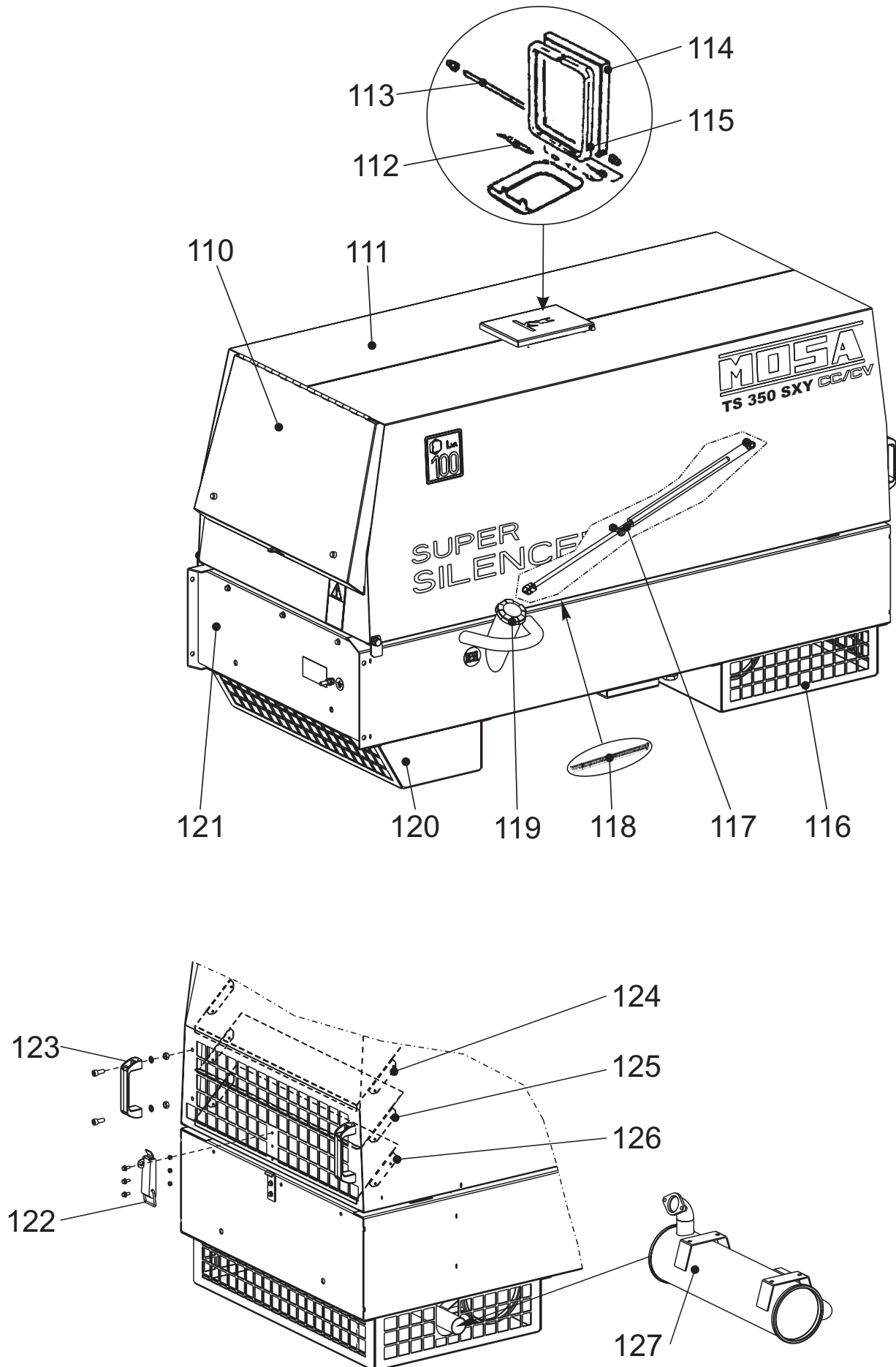
<i>Pos.</i>	<i>Rev. Cod.</i>	<i>Descr.</i>	<i>Note</i>
1	107509005	GASKET	(QM)
3	700406020	FAN	
4	A 873763020	STATOR	era 773713020 (Del. 38/03)
5	700403010	HOUSING	
6	773713012	SHAFT WITH ROTOR DISC	SP 1,5
6 a	773703012	DISC	SP 1
7	773702200	YANMAR ENGINE 3TNE74	vers. MOSA
8	A 894002034	ENGINE SUPPORT	era 773702034 (Del. 18/03)
9	219869050	ACCELERATOR SOLENOID	
10	305519056	TIE ROD	
11	107302860	RING NUT	
12	773709102	SOLENOID SUPPORT PLATE	
13	A 773721035	VIBRATION DAMPER	era 105112020 (Del. 110/01)
14	307012037	PROTECTION, VIBRATION-DAMPER	
15	773703030	SHAFT WITH ROTOR	
16	1001060	BEARING	
17	6050050	RING, SEEGER	
18	105612070	VIBRATION-DAMPER	
19	A 773723101	ALTERNATOR BRACKET	era 773503101 (Del. 110/01)
20	700406010	AIR CONVEYOR	



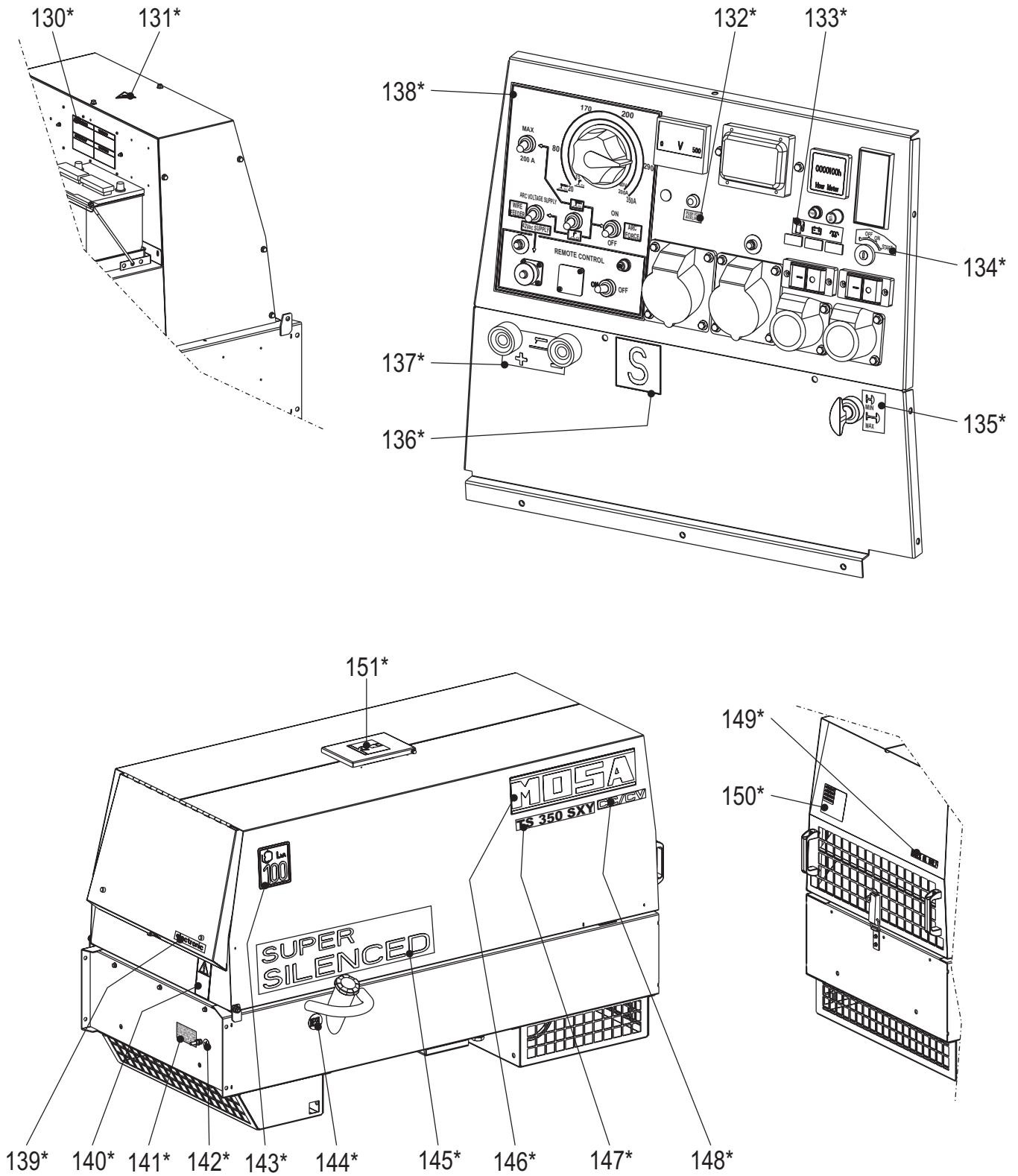
<i>Pos.</i>	<i>Rev. Cod.</i>	<i>Descr.</i>	<i>Note</i>
25	107509702	KNOB,WELDING CURRENT REGULAT.	
26	836709715	WELDING CURRENT REGULATOR	(Solo ricambi)
27	105111550	VOLTMETER FS 500V	
28	873407107	CIRCUIT BREAKER 30A/250V	
29	219937130	COVER GFI	
30	105111540	See part no. 219937105	
31	219937036	BRACKET	
32	209509871	TRANSFORMER	
33	1302040	WARNING LIGHT 12V	
34	105511810	HOURMETER	
35	1291010	FUSE	
36	307759045	FUSE HOLDER	
37	209500015	PCB, ENGINE CONTROL EP1	
38	1291270	FUSE	
39	103011320	HOLDER, FUSE	
40	307457055	STARTER SWITCH	
41	766700517	SWITCH SET (CAP+COVER)	(solo ricambi)
42	1302080	WARNING LIGHT FOR 48V	
43	773709105	ENGINE ACCELERATOR LEVER	
44	773727020	FRONT PANEL	
45	307017240	EEC SOCKET 16A, 220V 2P+T	monofase
45 a	307047250	SOCKET 110V 16A	
46	105111520	EEC SOCKET SINGLE-PHASE 220V	monofase
47	105111510	EEC SOCKET THREE-PHASE 380V	trifase
48	1291250	FUSE	
49	102044400	WELDING SOCKET (-)	neg.
50	102301310	WELDING SOCKET (+)	pos.
51	307809902	FOUR POLE COMMUTATOR	(51* ved. pos.58 Kit)
52	102042740	CAP	(52* ved. pos.58 Kit)
53	765009910	CONNECTOR	
54	306467109	THERMOPROTECTION (B.C.)	(54* ved. pos.58 Kit)
55	102013290	COMMUTATOR	(55* ved. pos.58 Kit)
56	307917105	INSULATING ALARM	CONTREL
56 a	740557105	INSULATING ALARM	DOSSENA
57	766019871	LINED TOROIDAL CORE	
58	A 773769749	WELDING CV KIT	(Composto da pos. 51-52-54-55-66 *)
66	A 765039747	RELAY 48V	(ved. pos.58 Kit) era nella Tav.DS13



<i>Pos.</i>	<i>Rev. Cod.</i>	<i>Descr.</i>	<i>Note</i>
60	C 766029800	WELDING CONTROL PCB	era 375209800
61	307457056	ELECTRONIC DEV.	
62	873407010	ELECTRICAL BOX	
63	105111830	TERMINAL BOARD	
64	765039748	BASE RELAY	
65	1243020	TERMINAL GUIDE	(QM)
67	766019654	WELDING PCB PROTECTION BOX	
68	209719850	PCB EV/ES	
69	308907220	CONTACTOR	(ISOMETER Version)
75	C 766704010	POWER RESISTANCE	(era 773744010 Del. 38/03)
76	309014013	SPACER	
77	309015043	WASHER	
78	C 873765100	DIODE BRIDGE	(era 773715100 Del. 38/03)
79	209509871	TRANSFORMER	
80	366105090	BASE CURRENT BRIDGE	
81	773728240	ALTERNATOR LEFT BRACKET	
82	773702273	WATER EXHAUST TUBE	(QM)
83	773702274	WATER EXHAUST TUBE	
84	209702242	PIPE FITTING	
85	209702228	PRE-FILTER DIESEL	
86	209702241	SUPPORT, FILTER	
87	107019880	CAPACITOR BOX	
88	107509041	CONNECTING PLATE-CAPACITOR BOX	
89	209719882	CAPACITOR BOX BRACKET	
90	773728239	ALTERNATOR RIGHT BRACKET	
91	773708215	AIR EXHAUST COVER	
92	105112270	STRIP, SEALING (L=MT.1)	(QM)
93	700401100	ROLL BAR	
94	773702070	EXHAUST TUBE	completo
95	102042380	HOLDER, BATTERY	
97	102041420	BRACKET	
98	105611270	TIE ROD, BATTERY	
99	107301480	BATTERY 60 AH	
101	209714110	SUPPORT, REACTOR	
102	C 866004100	LEVEL INDUCTOR	(era 209504100 Del. 38/03)
103	308102023	GASKET	
104	308101262	FUEL TANK CAP	
105	308102207	PIPE	(QM)
106	305719875	FLOAT	
107	307402208	RUBBER PIPE	(QM)
108	107301890	PIPE, BREATHER (L=MT.1)	(QM)
109	C 773715091	BASE DIODE SUPPORT	
110	C 306479199	RELAY, ELECTRIC START	(Del. 21/03)
111	C 105111460	SPRING	
112	C 773709056	SOLENOID TIE-ROD	
113	C 773702244	TERMINAL	
114	C 105111450	TERMINAL	
115	C 366609690	PCB POLARITY INVERTE	(PL Version)
116	C 766707220	CONTACTOR	(PL Version)



<i>Pos.</i>	<i>Rev. Cod.</i>	<i>Descr.</i>	<i>Note</i>
110	700408100	FRONT COVER	
111	773508005	COMPLETE COVER	
112	102042870	SPRING	
113	209718073	TIE-ROD	
114	209718070	COVER	
115	105112270	STRIP, SEALING (L=MT.1)	(QM)
116	700408210	INLET BOX	
117	305718115	SUPPORT, REAR COVER	
118	105112270	STRIP, SEALING (L=MT.1)	(QM)
119	342202026	CAP, FUEL TANK	
120	700408200	INTAKE BOX	
121	773711050	BASE	
122	107300180	LATCH	
124	773508067	TOP GRATE SEPARATOR	
125	773508167	MIDDLE GRATE SEPARATOR	
126	773508367	LOW GRATE SEPARATOR	
127	700402050	EXHAUST MUFFLER	

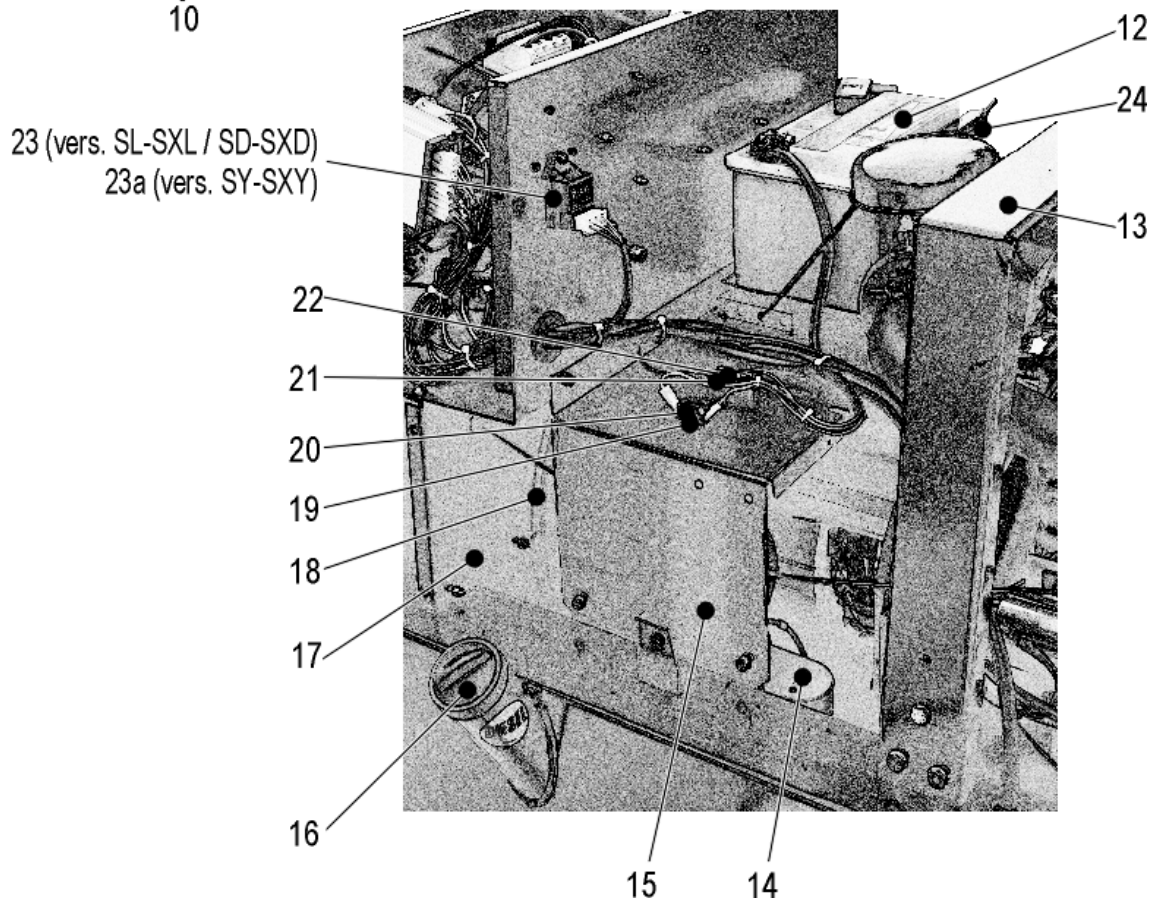
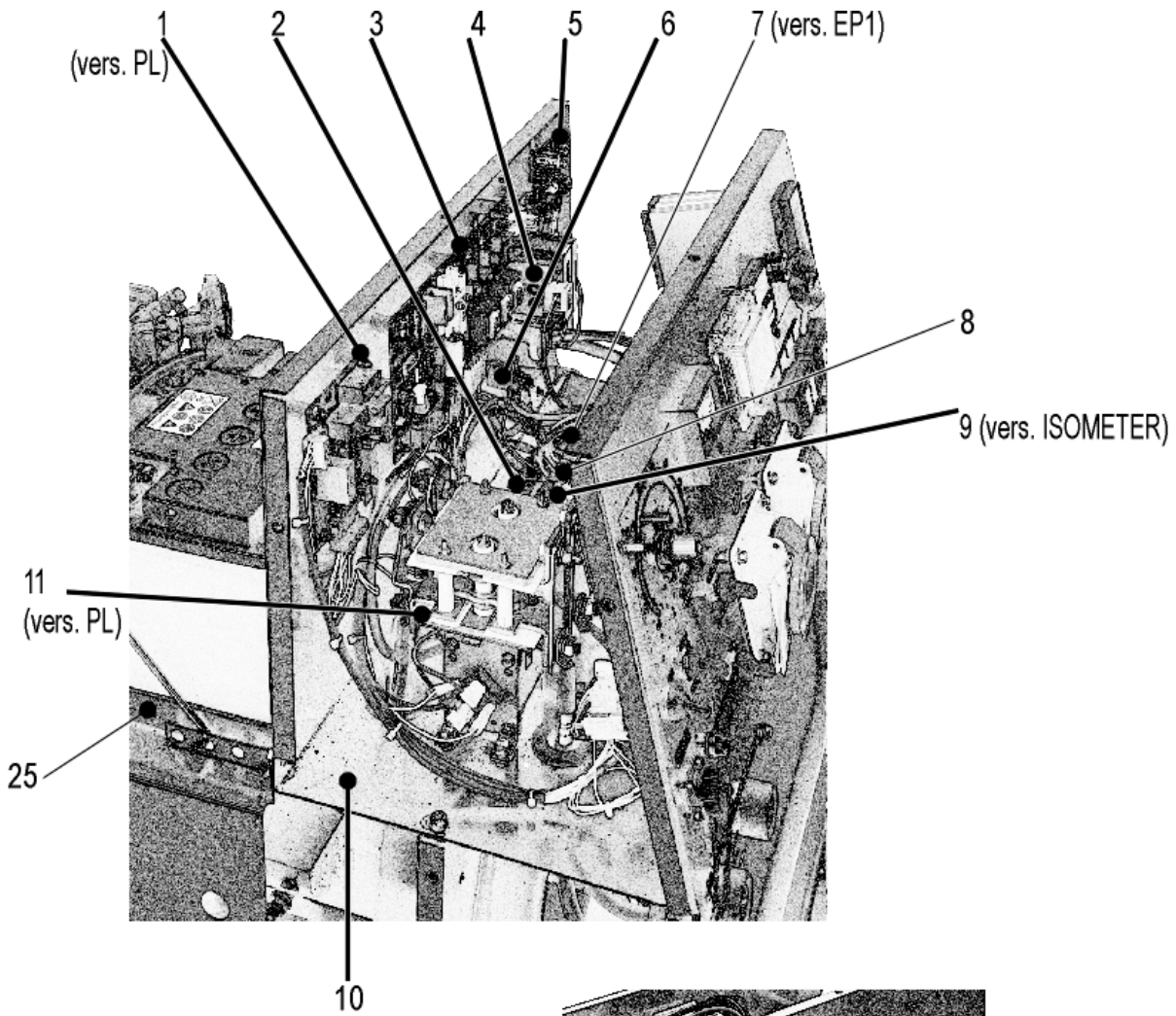


<i>Pos.</i>	<i>Rev. Cod.</i>	<i>Descr.</i>	<i>Note</i>
130	766010250	STICKER "BATTERY ATTENTION"	
131	734500250	STICKER ELECTRICAL VOLTAGE	
132	873760271	STICKER PUSH FOR AUXILIARY	Solo SXY
133	873400227	STICKER CONTROL LIGHTS	
134	307450228	STICKER "STARTER KEY"	
135	219930229	STICKER "ACCELERATOR KNOB"	
136	866700239	STICKER "S"	
137	307800212	STICKER "WELDING SOCKETS"	
138	773720181	STICKER "WELDING CURRENT REGULATOR"	
139	209710206	STICKER "ELECTRONIC"	
140	734500253	STICKER "INSTRUCTIONS MANUAL"	
141	212020225	STICKERS BONDED TO FRAME	
142	207400207	STICKER "EARTH"	
143	305910196	STICKERS "LWA 100"	
144	107011150	LABEL, FUEL	
145	307800198	STICKERS "SUPER SILENCED"	Solo SXY
146	207600194	STICKER "MOSA"	
147	773700183	STICKER MACHINE MODEL	
148	873710213	STICKER "CC/CV"	
149	319860227	STICKER "DAILY OIL CHECK"	
150	700400250	STICKERS "ATTENTION"	
151	209710202	STICKER	

MOSA

TS 350 SY/SXY BC

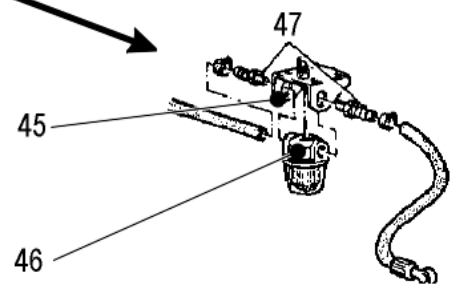
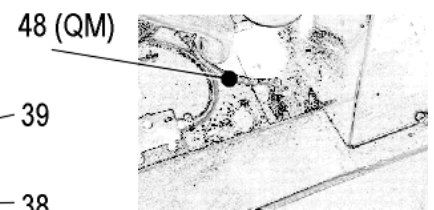
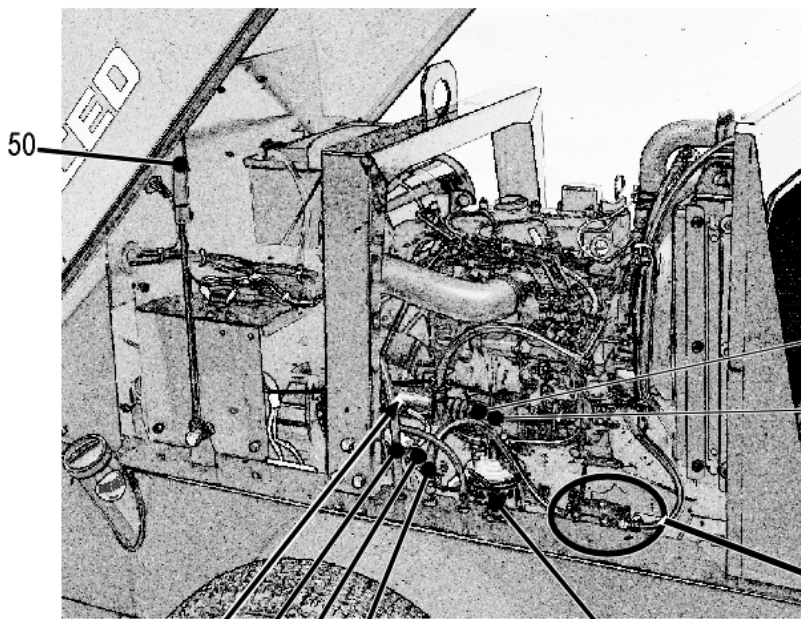
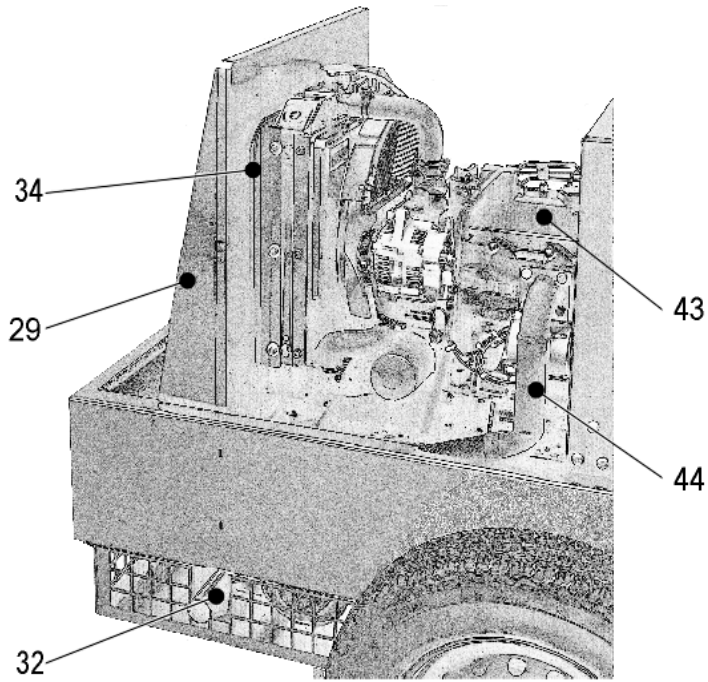




Tavole Ricambi

Modello DN TS 350 SK-SXK/EL - BC/PL

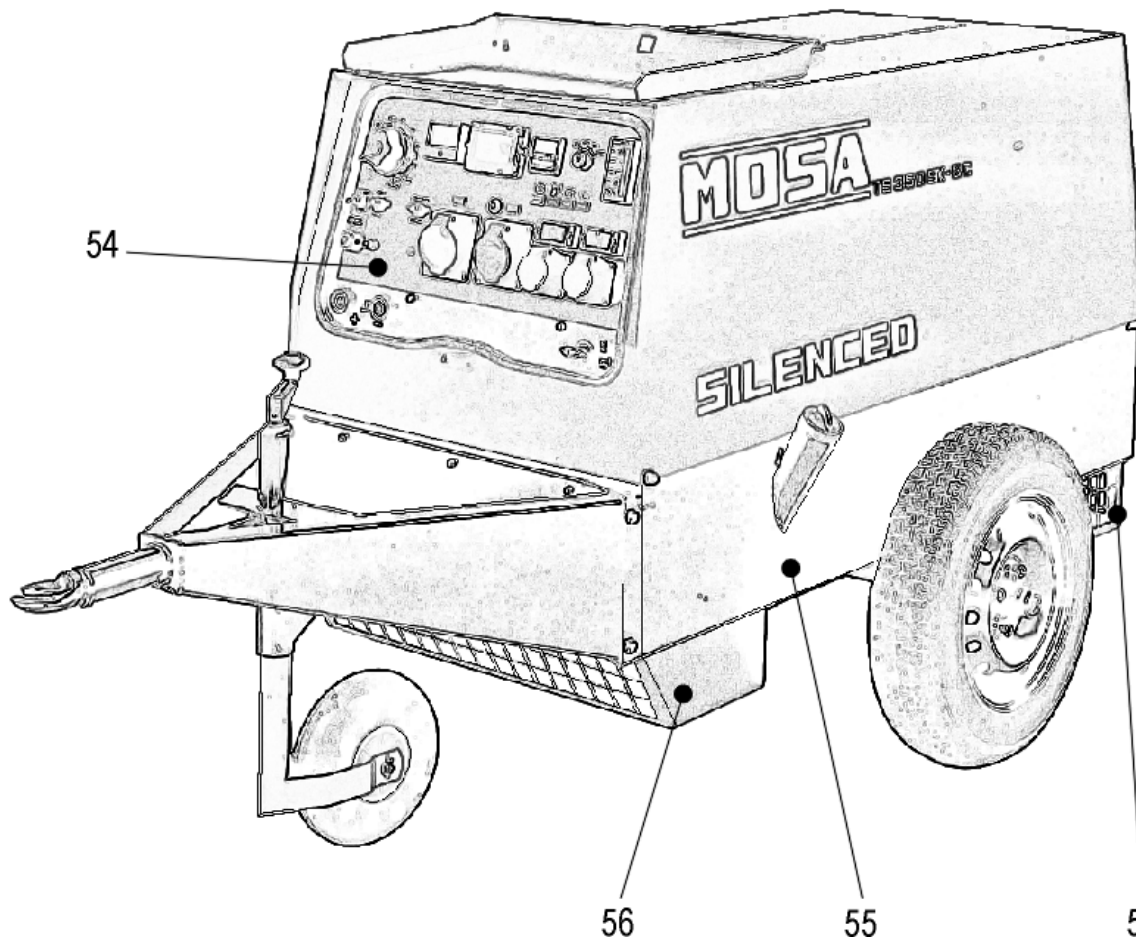
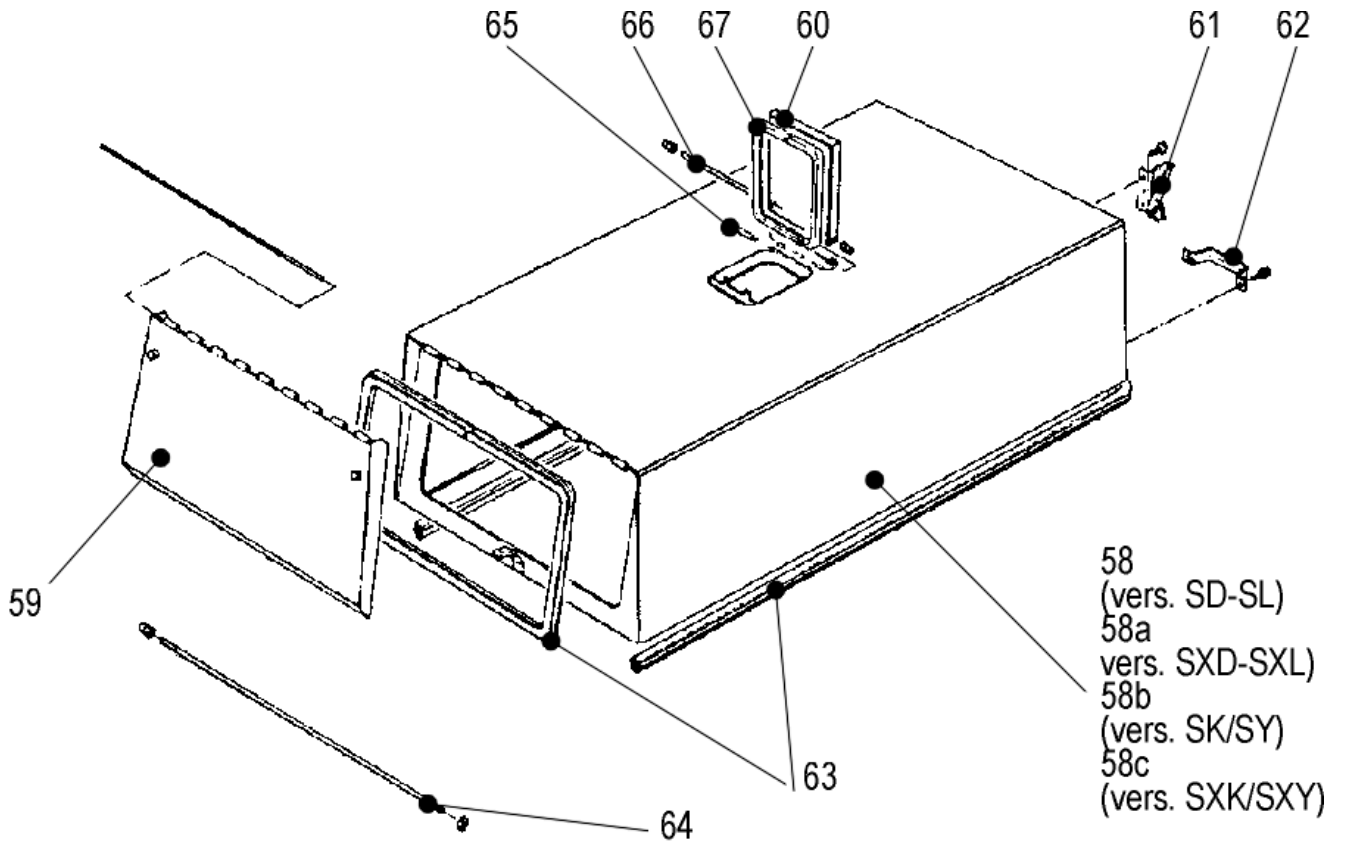
Tavola		DN	1	
Pos.	Rev.	Cod.	Descr.	
1		366609690	SCHEDA COMANDO INVERT.POLARITA	vers. PL
2		105111830	MORSETTIERA	
3		208019800	SCHEDA DI CONTROLLO SALDATURA	
4		107509870	TRASFORMATORE	
5		209719850	SCHEDA EV/ES	
6		208029104	DISTANZIALE ISOLANTE	
7		208029104	DISTANZIALE ISOLANTE	vers. EP1
8		866707220	TELERUTTORE 40A	
9		308907220	CONTATTORE	vers. Isometer
10		873407010	SCATOLA ELETTRICA	
11		866707220	TELERUTTORE 40A	vers. PL
12		107301480	BATTERIA 60 AH	12V/60Ah
13		700403101	STAFFA SUPPORTO ALTERNATORE	
14		107019880	BOX CONDENSATORI	
15		700408222	COPERTURA ALTERNATORE	
16		342202026	TAPPO SERBATOIO	
17		700408217	PARATIA ALTERNATORE	
18		1229040	TUBO FLEX	(QM)
19		309859043	PORTAFUSIBILE	
20		1291010	FUSIBILE	
21		307459043	PORTAFUSIBILE	
22		1291270	FUSIBILE	
23		700677056	CENTRALINA PRERISCALDO	vers. SL/SD
23 a		307457056	CENTRALINA PRERISCALDO	vers. SY
24		102041420	TRAVERSA	
25		102042380	VASCHETTA BATTERIA	



Tavole Ricambi

Modello DS TS 350 DSP 400 YS E YSX/EL

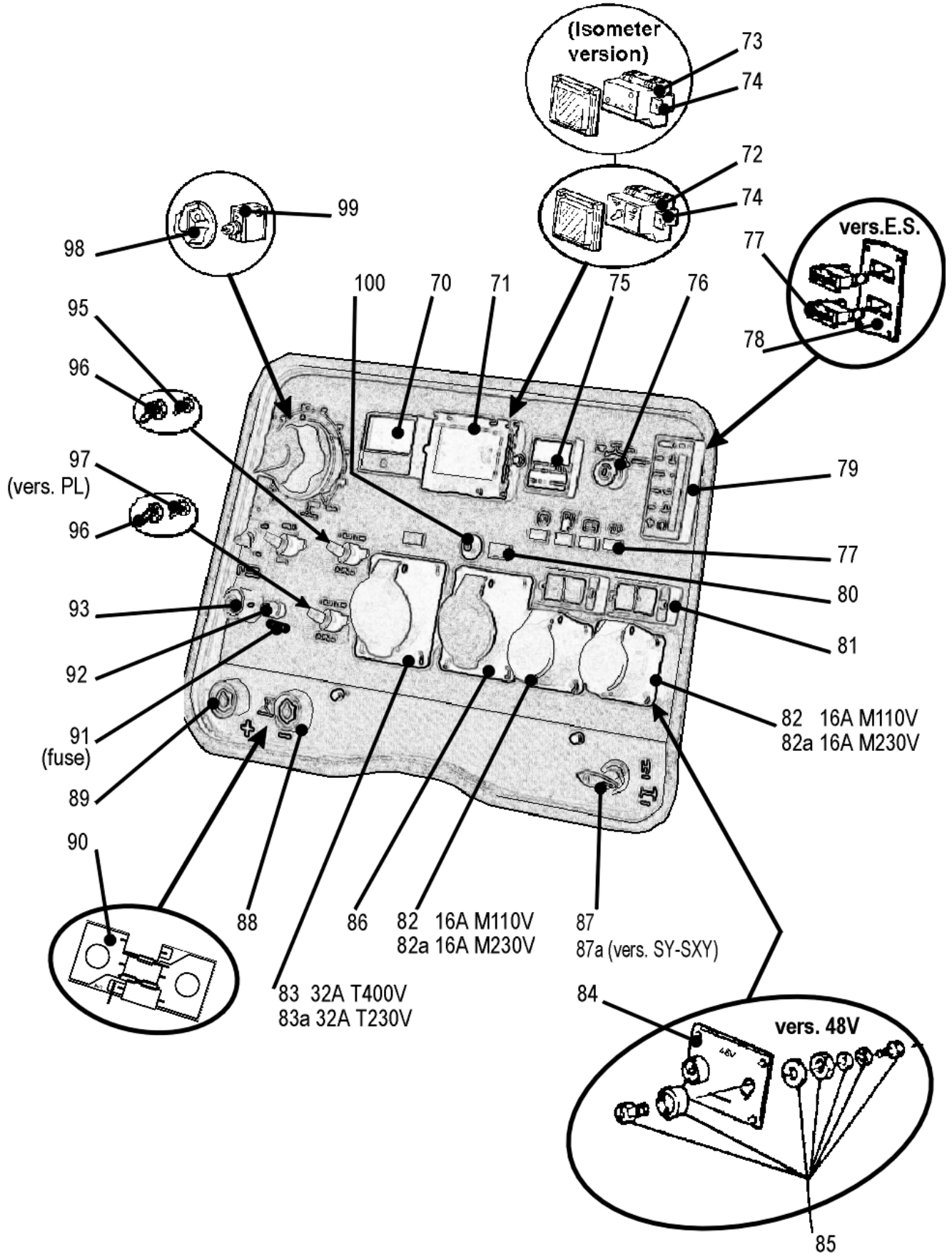
Tavola DS 2			
Pos.	Rev. Cod.	Descr.	
29	773708215	PARATIA SCARICO ARIA MOTORE	
32	700402050	SILENZIATORE DI SCARICO	
34	105112270	GUARNIZIONE (L=MT.1)	(QM)
36	773508367	SEPARATORE GRIGLIA INFERIORE	
37	219869050	ELETTROMAGNETE ECONOMIZZATORE	
38	105111450	MORSETTO	
39	105111460	MOLLA	
40	305719875	GALLEGGIANTE	
41	308102207	TUBO GOMMA (L=MT.1)	(QM)
42	107301890	TUBO SFIATO (L=MT.1)	
43	773702200	MOTORE YANMAR 3TNE74	vers. MOSA
44	773702070	TUBO DI SCARICO	completo
45	209702241	SUPPORTO FILTRO	
46	209702228	PREFILTRO GASOLIO	
47	209702242	RACCORDO	
48	6095040	TUBO GOMMA	QM
50	307508115	PISTONE SOSTEGNO	



Tavole Ricambi

Modello DN TS 350 SK-SXK/EL - BC/PL

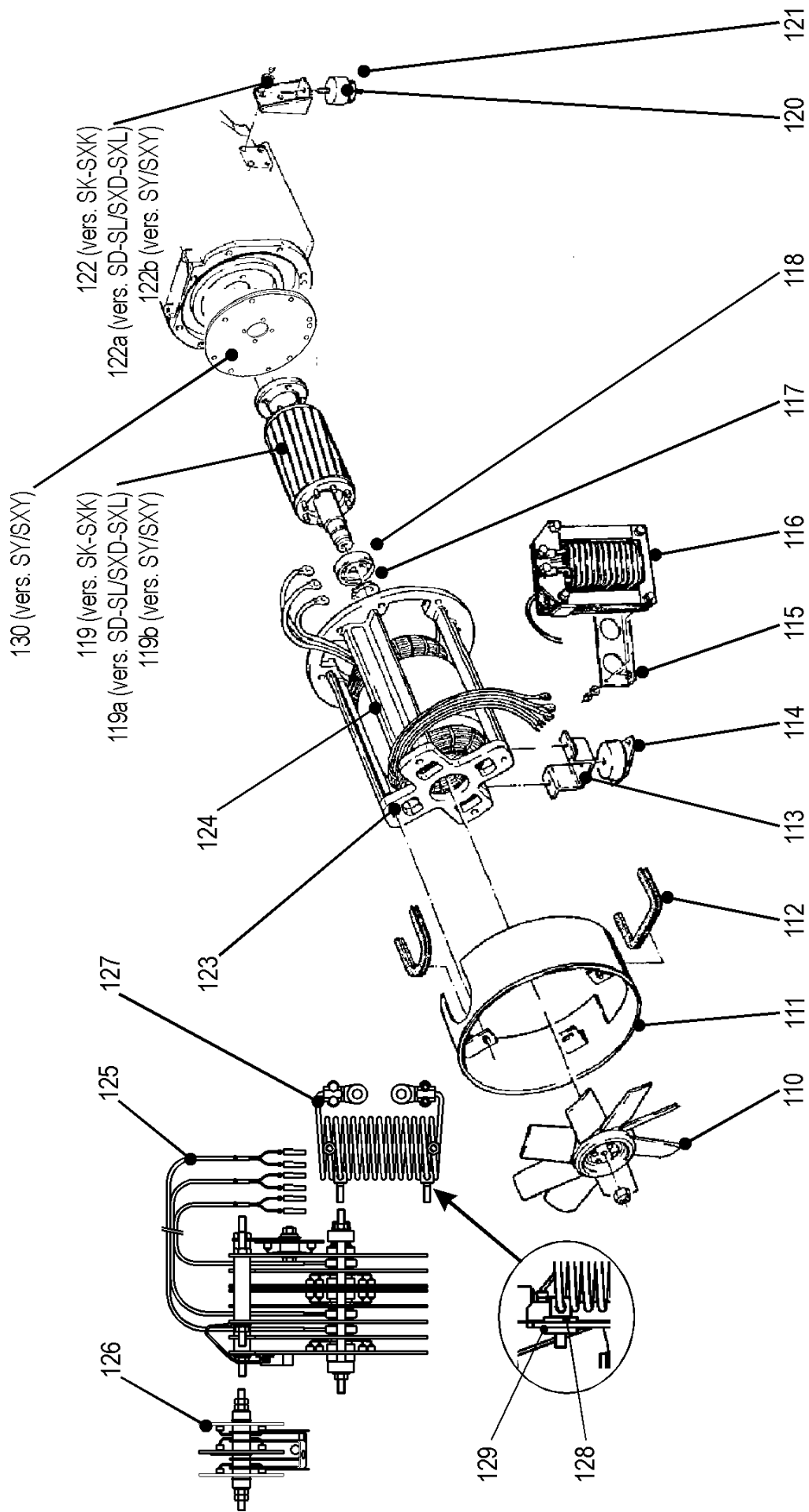
Tavola		DN	4	
Pos.	Rev.	Cod.	Descr.	
54		873407020	PANNELLO FRONTALE	
55		873401050	BASAMENTO	
56		700408200	CASSONETTO ASPIRAZIONE	
57		700408210	CASSONETTO SCARICO	
58		700408005	CARENATURA	vers. SL/SD
58A		873320511	CARENATURA COMPLETA	vers.SXL/SXD
58B		773508005	CARENATURA COMPLETA	vers. SK/SY
58C		873400511	CARENATURA COMPLETA	vers. SXK/SXY
59		700408100	COPERCHIO FRONTALE	
60		209718070	COPERCHIETTO	
61		107300180	CHIUSURA COMPL.A LEVA	
62		207509601	IMPUGNATURA	
63		105112270	GUARNIZIONE (L=MT.1)	(QM)
64		207408024	TIRANTE	
65		102042870	MOLLA	
66		209718073	TIRANTE	
67		105112270	GUARNIZIONE (L=MT.1)	(QM)



Tavole Ricambi

Modello DN TS 350 SK-SXK/EL - BC/PL

Tavola		DN	5	
Pos.	Rev.	Cod.	Descr.	
		0000107509715	GRUPPO POTENZIOMETRO	
70		103011310	VOLTMETRO	
71		219937130	COPERCHIO INTERRUT.DIFFERENZ.	
72		219937105	INTERRUTTORE DIFFERENZIALE	
73		307917105	SEGNALATORE ISOLAMENTO	vers. isometer
74		219937036	STAFFA	
75		105511810	CONTORE	
76		307457055	INTERRUTT.ACCENSIONE A CHIAVE	
77		1302040	SPIA 12V	
78		773317032	COPERCHIETTO PORTA SPIE	vers.ES
79	A	209500015	UNITA' CONTROLLO MOTORE EP1	
80		1302220	SPIA 220V	
81	A	766700517	KIT INTERRUTTORE (CAPPUCCIO + COPER	
82		307047250	PRESA 110V 16A	monofase
82 A		307017240	PRESA 220V 16A	monofase
83		105111510	PRESA CEE 380V TRIFASE	trifase
83 A		105141160	PRESA CEE 32A 220V (TRIFASE)	trifase
84		773327032	COPERCHIO PORTA PRESE 48V	vers.48V
85		101131220	PRESA DINSE	vers.48V
86		105111520	PRESA CEE 220V MONOFASE	monofase
87		773509105	COMANDO ACCELERATORE MOTORE	
87 a		773709105	COMANDO ACCELERATORE MOTORE	vers. SY
88		102044400	PRESA DI SALDATURA (-)	neg.
89		102301310	PRESA DI SALDATURA (+)	pos.
90		700409860	UNITA' FILTRO ANTIDISTURBI	
91		1291250	FUSIBILE	
92		307759045	PORTAFUSIBILE	
93		107509903	PRESA	
95		102013290	COMMUTATORE	
96		102042740	CAPPUCCIO	
97		307809902	DEVIATORE	vers.PL
98		107509702	MANOPOLA REG.CORRENTE SALDAT.	
99		107509700	POTENZIOMETRO	
100		873407107	DISGIUNTORE TERMICO 30A/250V	



Tavole Ricambi

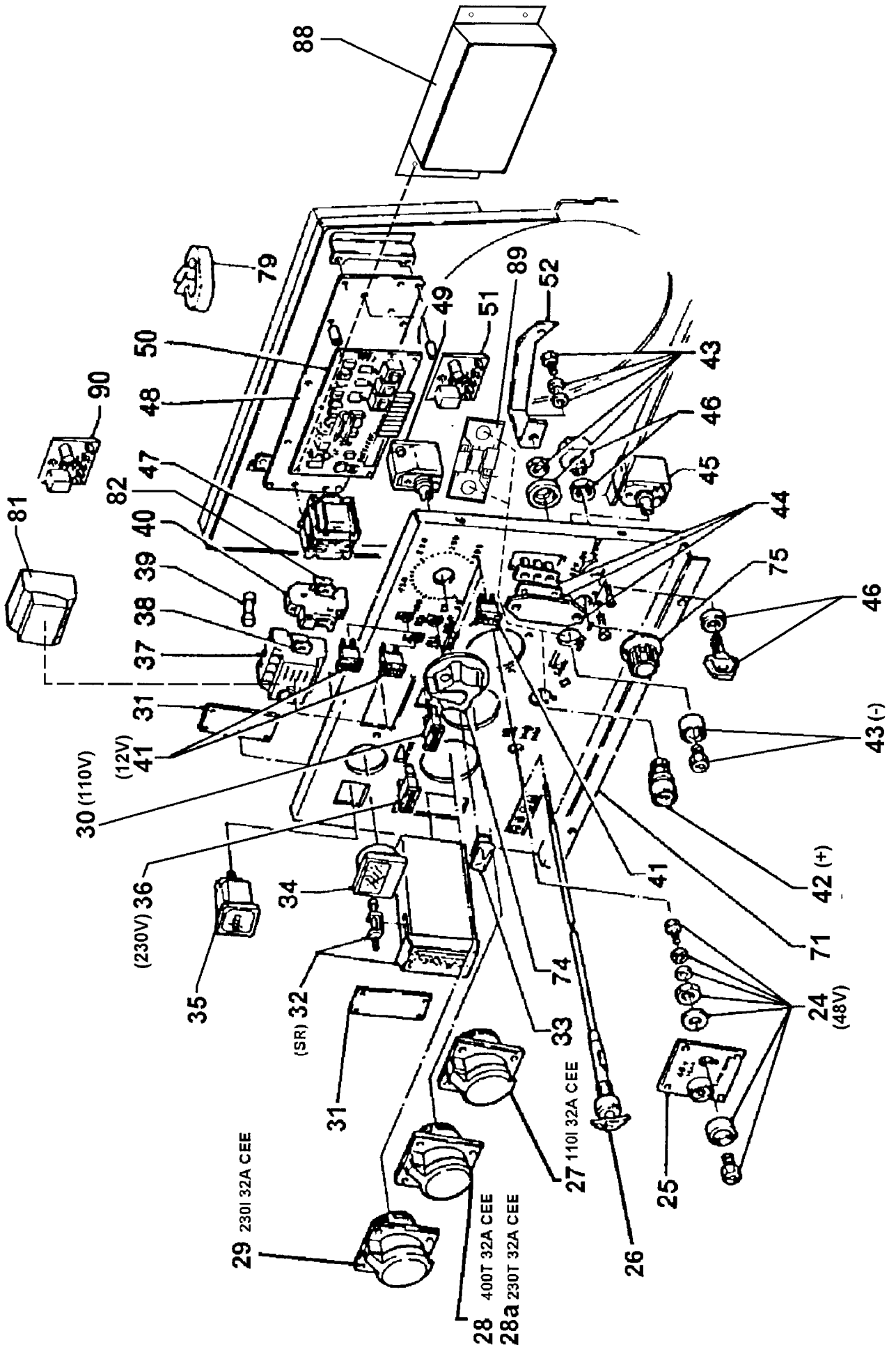
Modello DN TS 350 SK-SXK/EL - BC/PL

Tavola		DN	6
Pos.	Rev.	Cod.	Descr.
110		700406020	VENTOLA
111		700406010	CONVOGLIATORE ARIA
112		107509005	GUARNIZIONE (QM)
113		773503101	STAFFA ALTERNATORE
114		105612070	ANTIVIBRANTE
115		209714110	SUPPORTO REATTANZA
116		866004100	REATTORE DI LIVELLO
117		6050050	ANELLO SEEGER
118		1001060	CUSCINETTO
119		773503030	ALBERO ROTORE vers. SK
119A		700603030	ALBERO CON ROTORE vers. SL/SD
119B		773703030	ALBERO ROTORE vers. SY
120		105112020	ANTIVIBRANTE
121		307012037	PROTEZIONE ANTIVIBRANTE
122		700402034	PIEDE SUPPORTO MOTORE vers. SK
122A		700602035	STAFFA SUPPORTO MOTORE vers. SL/SD
122B		773702034	STAFFA SUPPORTO MOTORE vers. SY
123		700403010	CARCASSA STATORE
124		873403020	STATORE
125		873405100	PONTE DIODI
126	a	366105090	PONTE DIODI
127	B	773744010	RESISTORE DI POTENZA Sostituisce 271704010
128		107814013	RONDELLA ISOLANTE
129		107815043	BOCCOLA ISOLANTE
130		773703012	DISCO PER ALBERO ROTORE

MOSA

TS 400 SC/SXC

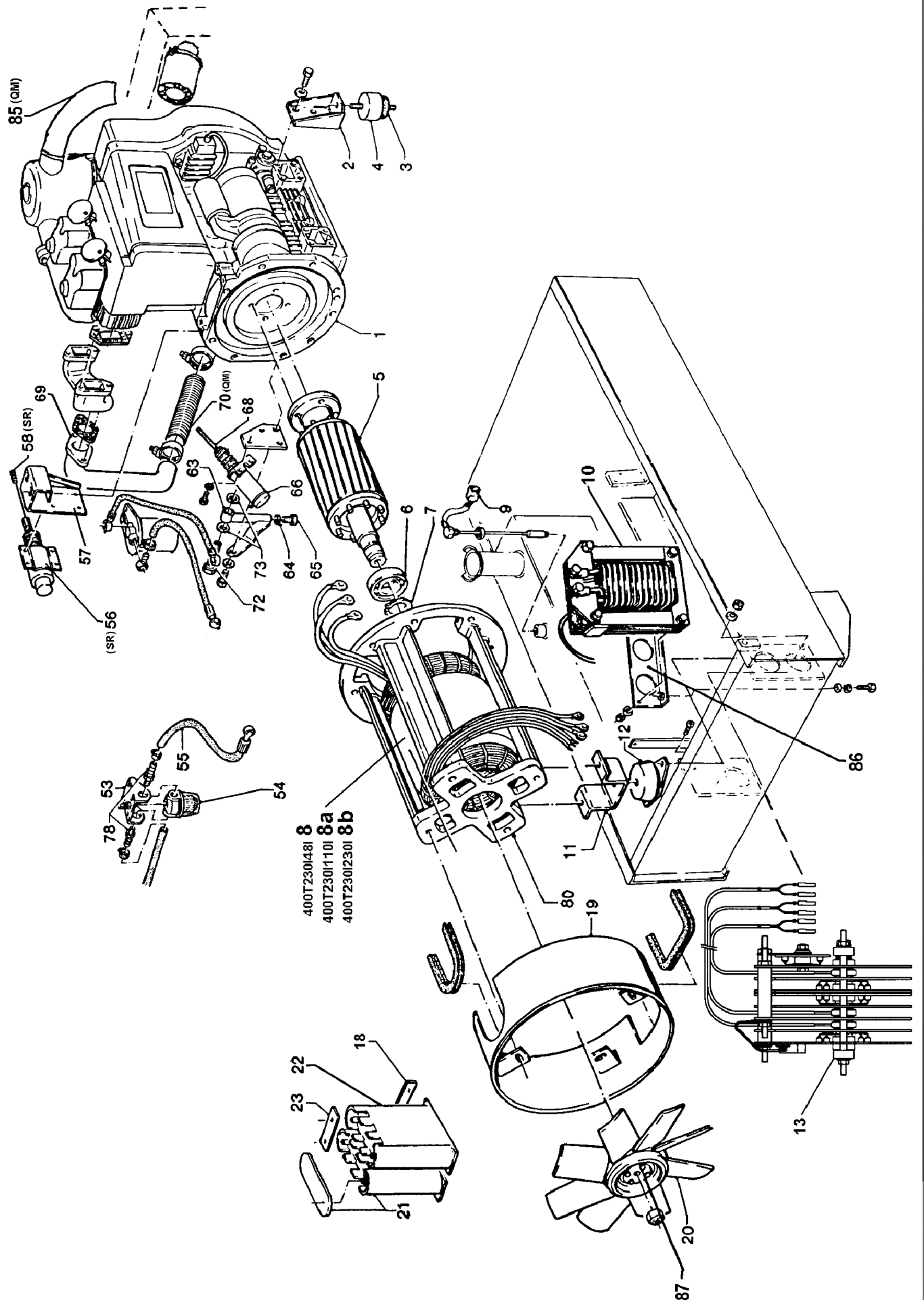




Tavole Ricambi

Modello **DM TS 400 SC e SXC/EL**

Tavola		DM	1
Pos.	Rev.	Cod.	Descr.
24		101131220	SOCKET
25		107517032	BLIND PLATE, SOCKETS 48V
26		207409105	ACCELERATOR LEVER
27		105111530	SOCKET, EEC, 32A 110V (monofase)
28		105111510	EEC SOCKET THREE-PHASE 380V (trifase)
28	A	105111510	EEC SOCKET THREE-PHASE 380V (trifase)
29		105111520	EEC SOCKET SINGLE-PHASE 220V (monofase)
30		1302160	WARNING LIGHT 110V
31		209717027	BLIND PLATE, EP
32		209500015	PCB, ENGINE CONTROL EP1 (SR)
33		209707026	BLIND PLUG
34		103011310	VOLTMETER
35		105511810	HOURMETER
36		1302220	WARNING LIGHT 220V
37	A	219937105	GROUNDFAULT INTERRUPTOR (GFI)
38		219937036	BRACKET
39		1291060	FUSE
40		107509045	HOLDER, FUSE
41		1302040	WARNING LIGHT 12V
42		102301310	WELDING SOCKET (+)
43		102044400	WELDING SOCKET (-)
44		209510017	SOCKET SWITCH REMOTE CONTROL (TC2)
45		207409760	POTENTIOMETER
46		107302460	STARTER KEY
47		107509870	AUXILIARY TRANSFORMER
48		219939801	PLATE
49		107509700	WELDING CURRENT REGULATOR
50		208019800	PCB, WELDING CONTROL
51		209719850	PCB EV/ES
52		107509890	SHUNT
71		207607020	FRONT PANEL
74		107509702	KNOB, WELDING CURRENT REGULAT.
75		207409751	KNOB WELDING CURRENT REGULAT.
79		209509871	TRANSFORMER
81		219937130	COVER GFI
82		219937234	BRACKET
88		217609654	BOX PROTECTION PCB WELDER
89		700409860	ANTI-JAMMING FILTER
90		319869540	PCB CONTROL SOLENOID

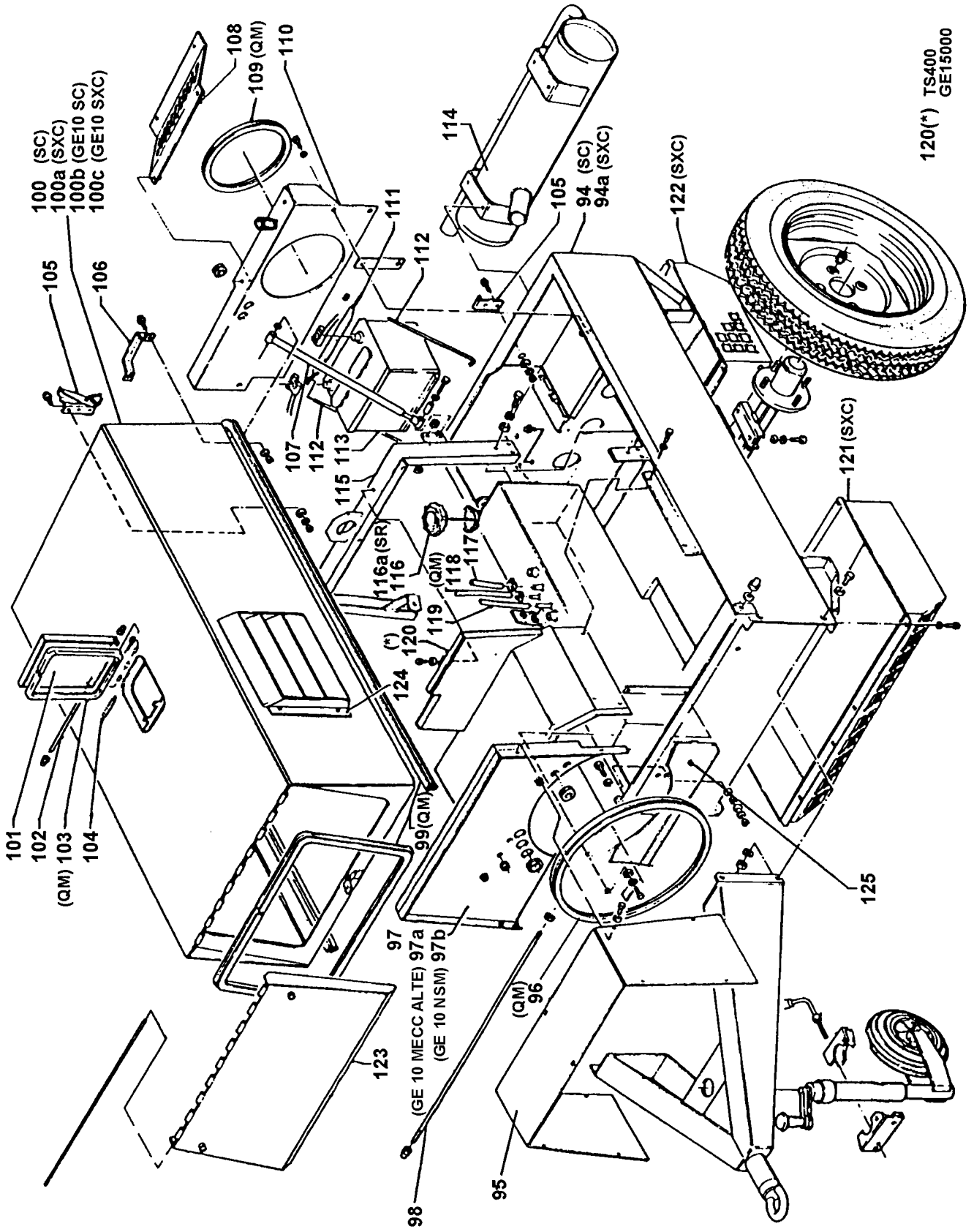


Tavole Ricambi

Modello **DM** **TS 400 SC e SXC/EL**

Tavola **DM** **2**

<i>Pos.</i>	<i>Rev. Cod.</i>	<i>Descr.</i>	
1	207612200	LOMBARDINI ENGINE 9LD625-2	(Vers. MOSA)
2	207402224	BRACKET FOR ENGINE SUPPORT	
3	105112020	VIBRATION DAMPER	
4	307012037	PROTECTION, VIBRATION-DAMPER	
5	207403030	SHAFT WITH ROTOR	
6	1001060	BEARING	
7	6050050	RING, SEEGER	
8	207403020	STATOR 380/220/220 (48)V	
8A	207683020	STATOR 380/220/110V	
8B	207403020	STATOR 380/220/220 (48)V	
8C	207423020	STATOR	
9	305719875	FLOAT	
10	209504100	REACTOR	
11	207403101	SUPPORT	
12	105611550	VIBRATION DAMPER	
13	317805100	DIODE BRIDGE	
18	209719882	CAPACITOR BOX BRACKET	
19	207406010	AIR DUCT	
20	107301420	FAN	
21	105319880	CAPACITOR BOX	
22	107509880	CAPACITOR BOX 3x65	
23	107509041	CONNECTING PLATE-CAPACITOR BOX	
53	209702241	SUPPORT, FILTER	
54	209702228	PRE-FILTER DIESEL	
55	209502207	PIPE FROM PRE-FILTER TO PUMP	
56	274009055	SOLENOID	(SR)
57	207439101	BRACKET	
58	207439058	REPLACED BY A KIT OF SPARES	(SR)
63	207602215	EXTENSION, OIL DRAIN	
64	101043950	GASKET	
65	6001610	PLUG, OIL DRAIN	
66	274009055	SOLENOID	
68	307819058	TIE-ROD	
69	207602070	EXHAUST PIPE	
70	209712077	FLEXIBLE PIPE	(QM)
72	207402225	SCREW	
73	102043880	GASKET	
78	209702242	PIPE FITTING	
80	207403010	HOUSING FOR STATOR	
85	1229830	FLEXIBLE TUBE (MT.1)	(QM)
86	207401112	REACTANCE BRACKET	
87	107301390	RING FIXING FAN	



Tavole Ricambi

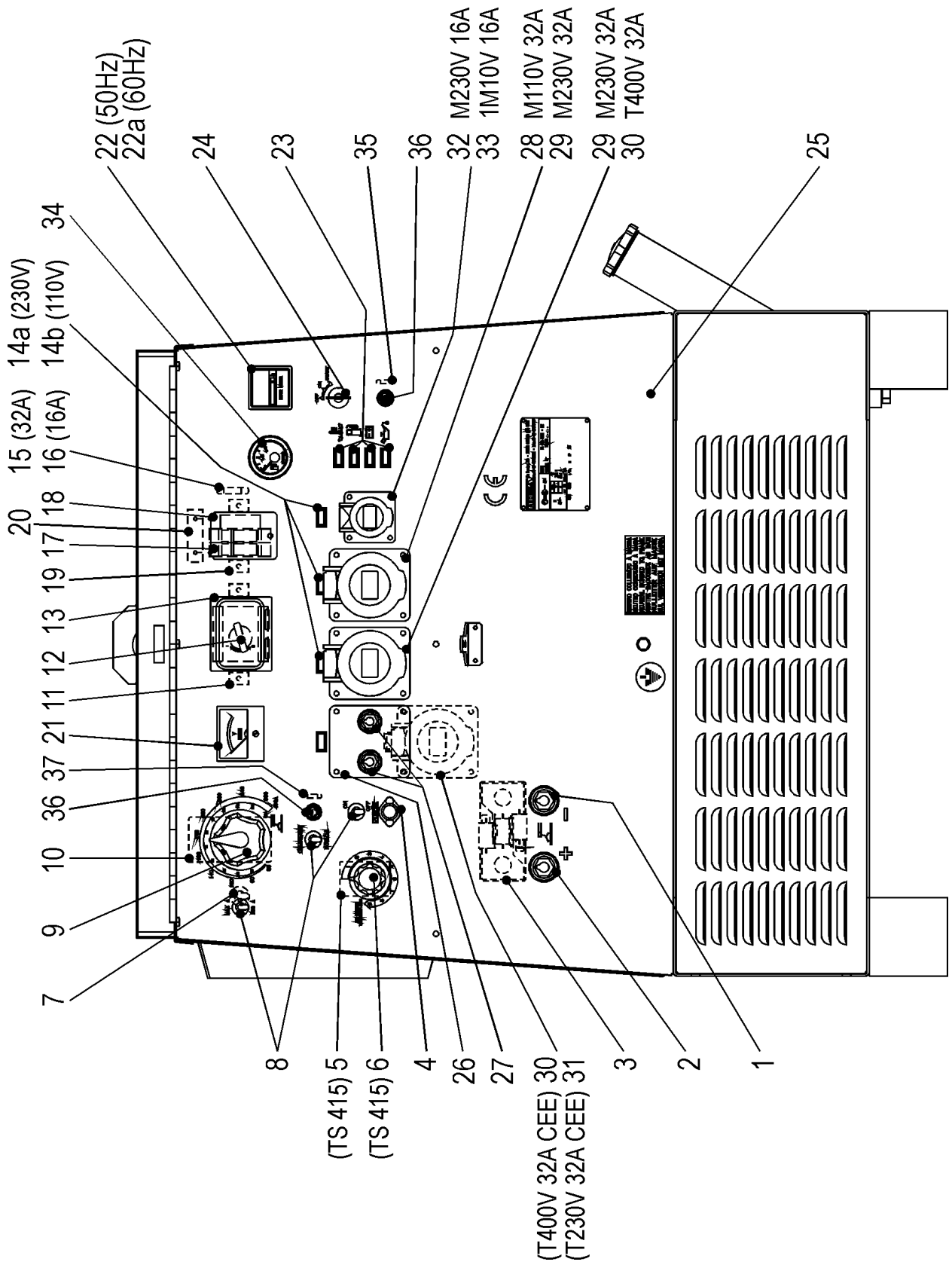
Modello **DM** TS 400 SC e SXC/EL

Tavola		DM	3	
Pos.	Rev.	Cod.	Descr.	
94		207601050	BASE	
94 A		207600501	BASE (COMPLETE)	GE 10 SC/SXC
95		207408121	COVER	
96		105112270	STRIP, SEALING (L=MT.1)	(QM)
97		207600512	COVER ALTERNATOR	
97 A	B	215108219	<i>Manca la descrizione aggiuntiva</i>	GE 10 SC/SXC con MECC ALTE
97 B	A	315168219	<i>Manca la descrizione aggiuntiva</i>	GE 10 SC/SXC con NSM
98		207408024	TIE-ROD	
99		105112270	STRIP, SEALING (L=MT.1)	(QM)
100		207600511	COVER	
100 A		307600511	COVER	
100 B		215100511	COVER	
100 C		315100511	COVER	
101		209718070	COVER	
102		209718073	TIE-ROD	
103		105112270	STRIP, SEALING (L=MT.1)	(QM)
104		102042870	SPRING	
105		107300180	LATCH	
106		207509601	HANDGRIP	
107		209508115	SUPPORT, AIR INLET WALL	
108		207608230	GRATING	
109		105112270	STRIP, SEALING (L=MT.1)	(QM)
110		215108200	AIR INTAKE COVER	
111		209509152	BRACKET, BATTERY FIXING	
112		105611270	TIE ROD, BATTERY	
113		107301480	BATTERY 60 AH	
114		207402050	MUFFLER, EXHAUST	
115		207401100	ROLL BAR	
116		342202026	CAP, FUEL TANK	
116 A		317802026	CAP, TANK	(QM)
117		207402207	PIPE	
118		207402208	PIPE	(QM)
119		107301890	PIPE, BREATHER (L=MT.1)	
120		207600513	COVER ALTERNATOR	
121		307410514	INTAKE BOX	
122		307410515	EXHAUST BOX (SXC)	
123		207408100	FRONT COVER	
124		207408065	GRATE, AIR OUTLET	
125		215108281	UNDER COVER REDUCTION	GE 10 SC/SXC

MOSA

TS 415 S-SX/EL BC

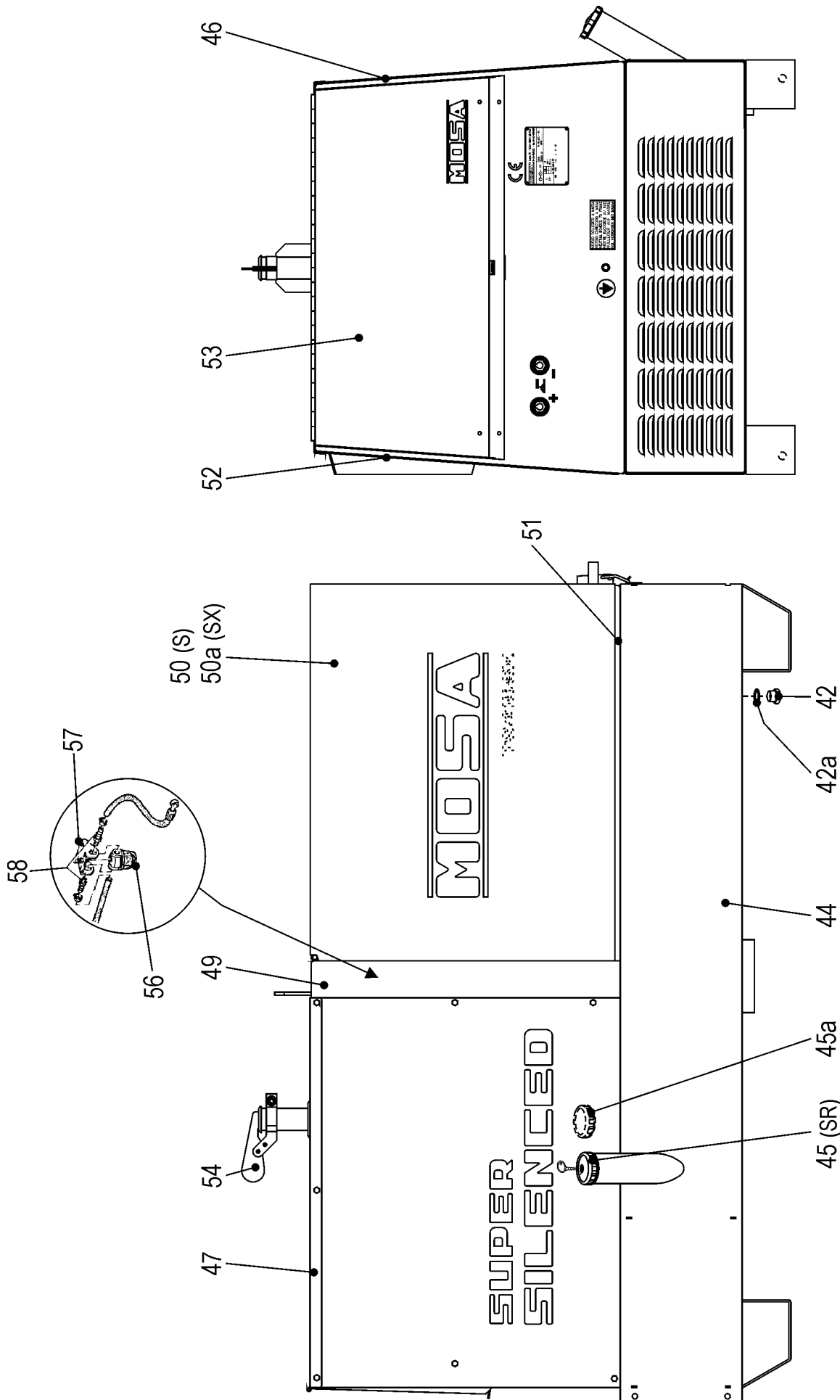




Tavole Ricambi

Modello EA TS 415 S e SX/EL

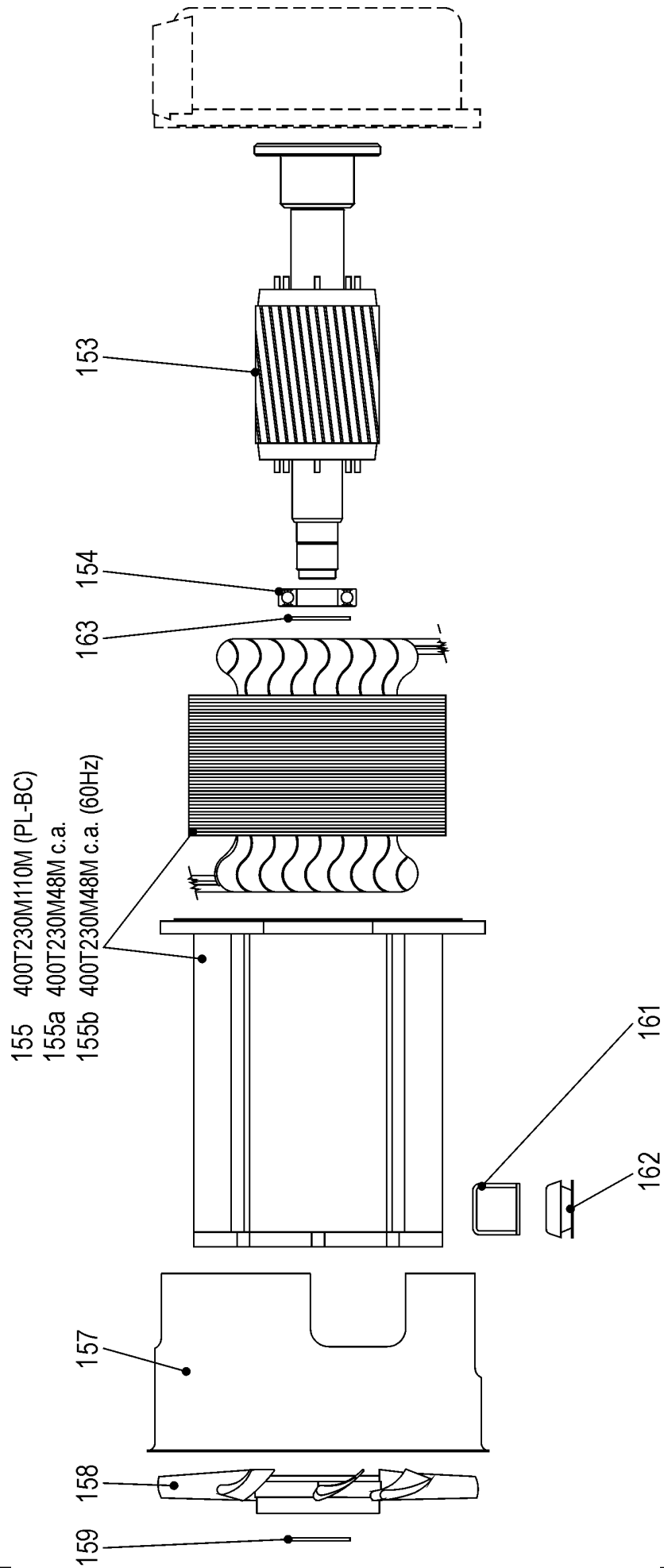
Tavola		EA	1	
Pos.	Rev.	Cod.	Descr.	
		207409750	ARC WELDING REGULATOR KIT	5+6
		'0000107509715	POTENTIOMETER	9+10
1		102044400	WELDING SOCKET (-)	(-)
2		102301310	WELDING SOCKET (+)	(+)
3		700409860	ANTIJAMMING FILTER	
4		107509903	SOCKET	
5		207409760	POTENTIOMETER	vers. 415
6		308300543	KNOB, REGULATOR COMPLETE	vers. 415
7		102042740	CAP	
8		102013290	COMMUTATOR	
9		107509702	KNOB, WELDING CURRENT REGULAT.	
10		107509700	WELDING CURRENT REGULATOR	
11		219937036	BRACKET	
12		219937105	GROUNDFAULT INTERRUPTOR (GFI)	
13		219937130	COVER GFI	
14		1302220	WARNING LIGHT 220V	
14 A		1302160	WARNING LIGHT 110V	
15		1291060	FUSE	
16		1291200	FUSE	
17		107509045	HOLDER, FUSE	
18		219937235	COVER	
19		219937234	BRACKET	
20		219937228	BRACKET	
21		103011310	VOLTMETER	
22		105511810	HOURLY METER	
22 A		205187330	HOURLY METER (60HZ)	(60Hz)
23		1302040	WARNING LIGHT 12V	
24		107302460	STARTER KEY	
25		264137020	FRONT PANEL	
26		107517032	BLIND PLATE, SOCKETS 48V	
27		101131220	SOCKET	
28		105111530	SOCKET, EEC, 32A 110V	monofase
29		105111520	EEC SOCKET SINGLE-PHASE 220V	monofase
30		105111510	EEC SOCKET THREE-PHASE 380V	trifase
31		105141160	EEC SOCKET 220V (THREE-PHASE)	trifase
32		307017240	EEC SOCKET 16A, 220V 2P+T	monofase
33		307047250	SOCKET 110V 16A	monofase
34		325507210	FUEL LEVEL GAUGE	
35		1291120	FUSE	
36		307759045	FUSE HOLDER	
37		1291250	FUSE	



Tavole Ricambi

Modello EA TS 415 S e SX/EL

Tavola		EA	2
Pos.	Rev.	Cod.	Descr.
42		308101262	FUEL TANK CAP
42	a	A 308102023	GASKET
43		308102023	GASKET
44		342201050	BASE
45		317802026	CAP, TANK (SR)
45	A	342202026	CAP, FUEL TANK
46		342208010	SIDE PANEL (RIGHT)
47		317808021	FRONT COVER
49		307801100	ROLL BAR
50		A 307808035	REAR COVER vers. S
50	A	341500511	COMPLETE COVER vers. SX
51		102302280	GASKET (L=MT.1) (QM)
52		342208004	SIDE PANEL (LEFT)
53		307808100	FRONT COVER
54		317802053	CAP
56		209702228	PRE-FILTER DIESEL
57		209702241	SUPPORT, FILTER
58		209702242	PIPE FITTING

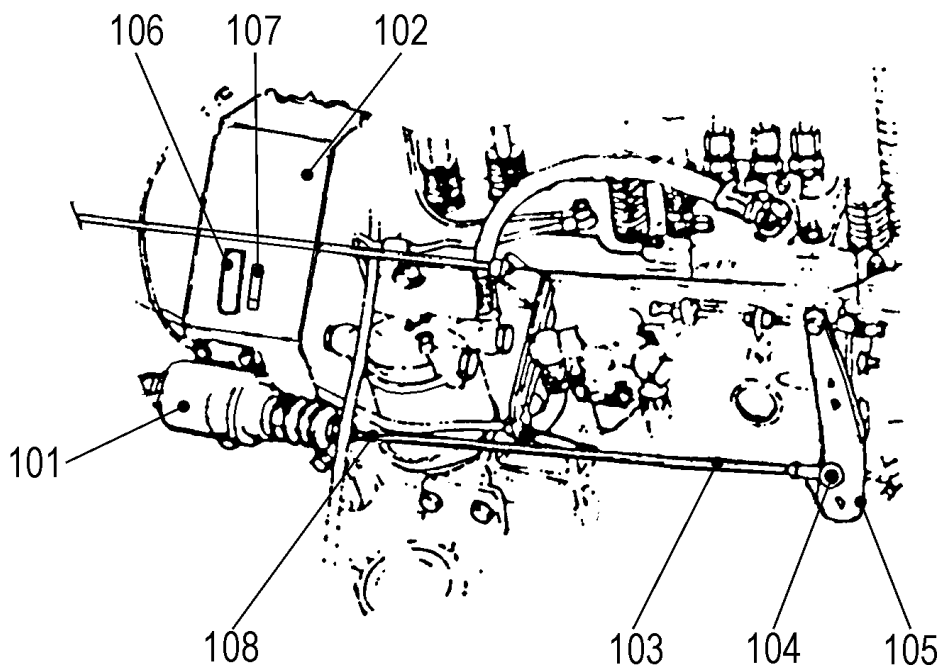
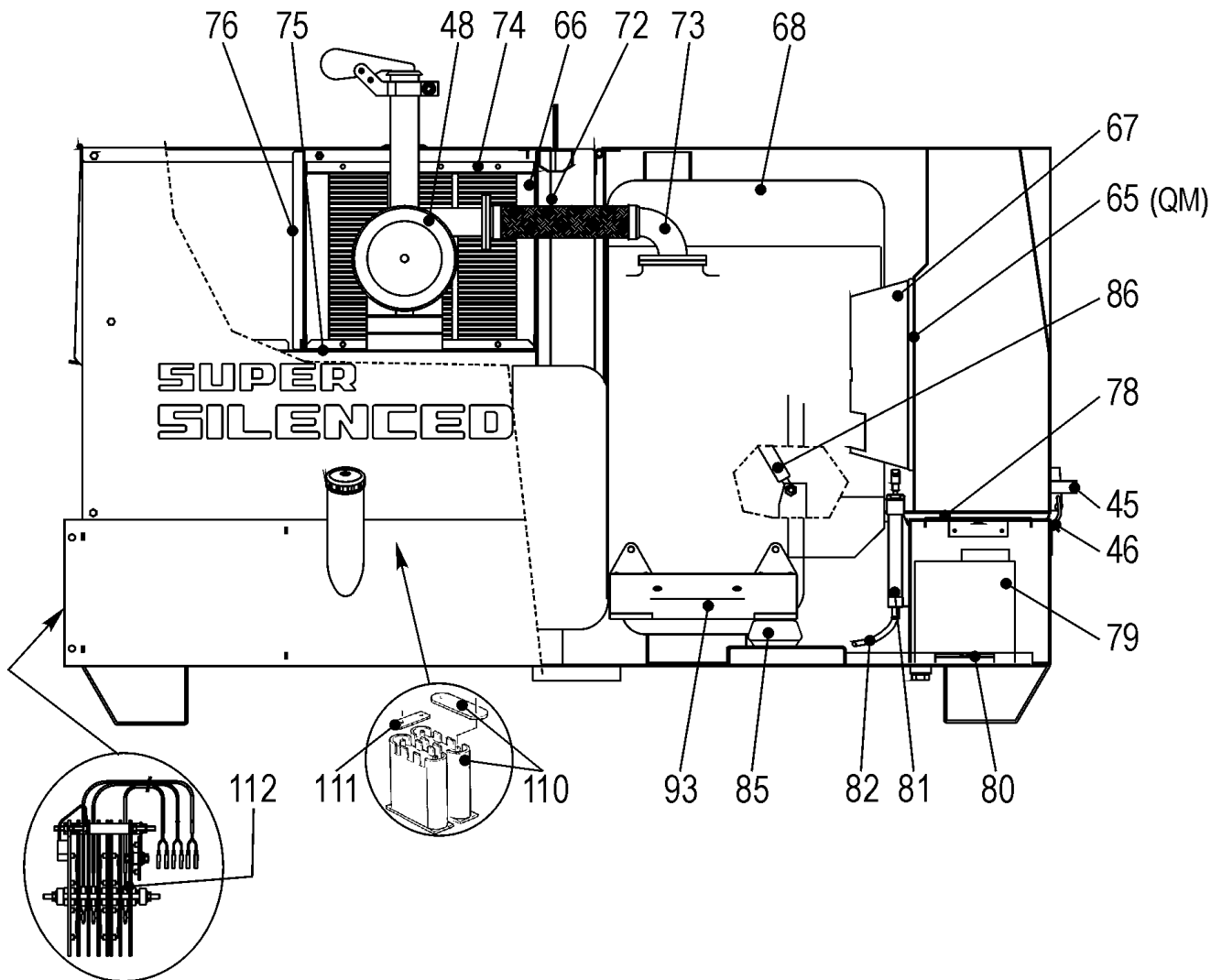


Tavole Ricambi

Modello **EA** **TS 415 S e SX/EL**

Tavola **EA** **3**

<i>Pos.</i>	<i>Rev. Cod.</i>	<i>Descr.</i>	
153	307803030	SHAFT WITH ROTOR	
154	1001050	BEARING	
155	307753020	STATOR	PL-BC
155 A	264133020	STATOR	
155 B	264223020	STATOR 60Hz	
156	307803010	HOUSING GENERATOR	
157	307806010	GENERETOR CONVEYOR	
158	107601470	FAN	
159	107301390	RING FIXING FAN	
161	307803101	ALTERNATOR BRACKET	
162	105612070	VIBRATION-DAMPER	
163	6050050	RING, SEEGER	



Tavole Ricambi

Modello EA TS 415 S e SX/EL

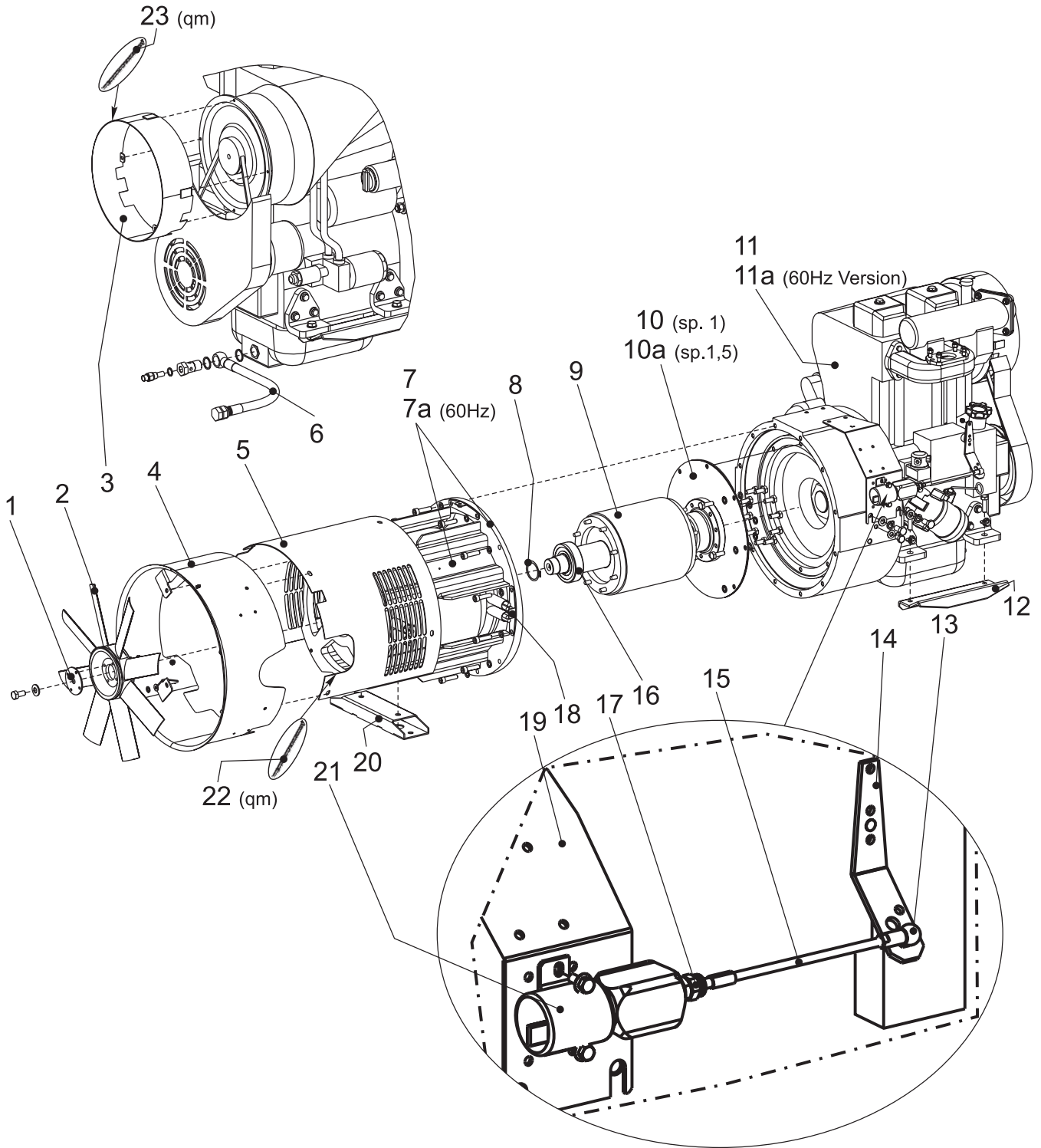
Tavola EA 4

<i>Pos.</i>	<i>Rev.</i>	<i>Cod.</i>	<i>Descr.</i>	
45		207509601	HANDGRIP	
46		107300180	LATCH	
48		342202050	EXHAUST MUFFLER	
65		309509005	GASKET	(QM)
66		307808250	PARTITION EXHAUST MUFFLER	
67	a	242202040	AIR CONVEYOR	
68		307802200	VM SUN 2105 ENGINE	vers. MOSA
72		342208224	EXHAUST MUFFLER BRACKET	
73		342202070	COMPLETE EXHAUST PIPE	
74		317808123	EXHAUST MUFFLER COVER	
75		342208225	EXHAUST MUFFLER COVER	
76		317808264	ELECTRICAL BOX PLATE	
78		317808230	BATTERY PROTECTION GRATE	
79		105611470	BATTERY 100 AH	
80		107301770	BRACKET	
81		317802310	EXHAUST OIL PUMP	
82		307752212	OIL PIPE	
85		105612060	VIBRATION DAMPER	
86		305718115	SUPPORT, REAR COVER	
92		341502211	OIL PUMP BRACKET	
93		307802224	PLATE SUPPORTING ENGINE	
101		274009055	SOLENOID	
102		305779101	BRACKET	
103		342209056	SOLENOID TIE-ROD	
104		105631146	BALL JOINT	
105		305772219	LEVER, ACCELERATOR	
106		309859043	FUSEHOLDER	
107		1291140	FUSE	
108		342209058	TIE ROD	

MOSA

TS 415 VS - VSX

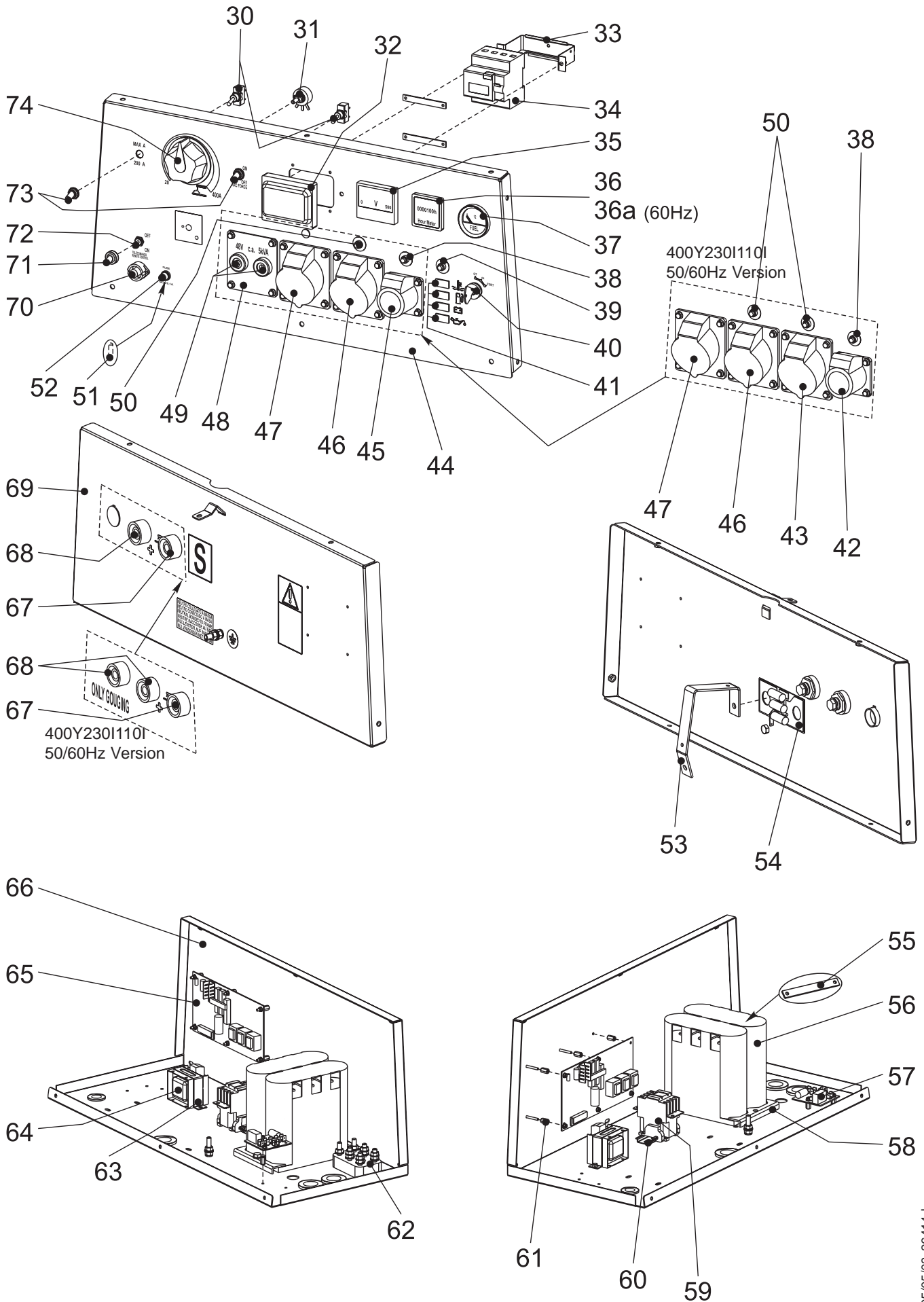




Tavole Ricambi

Modello EA TS-DSP 415 VS E VSX/EL

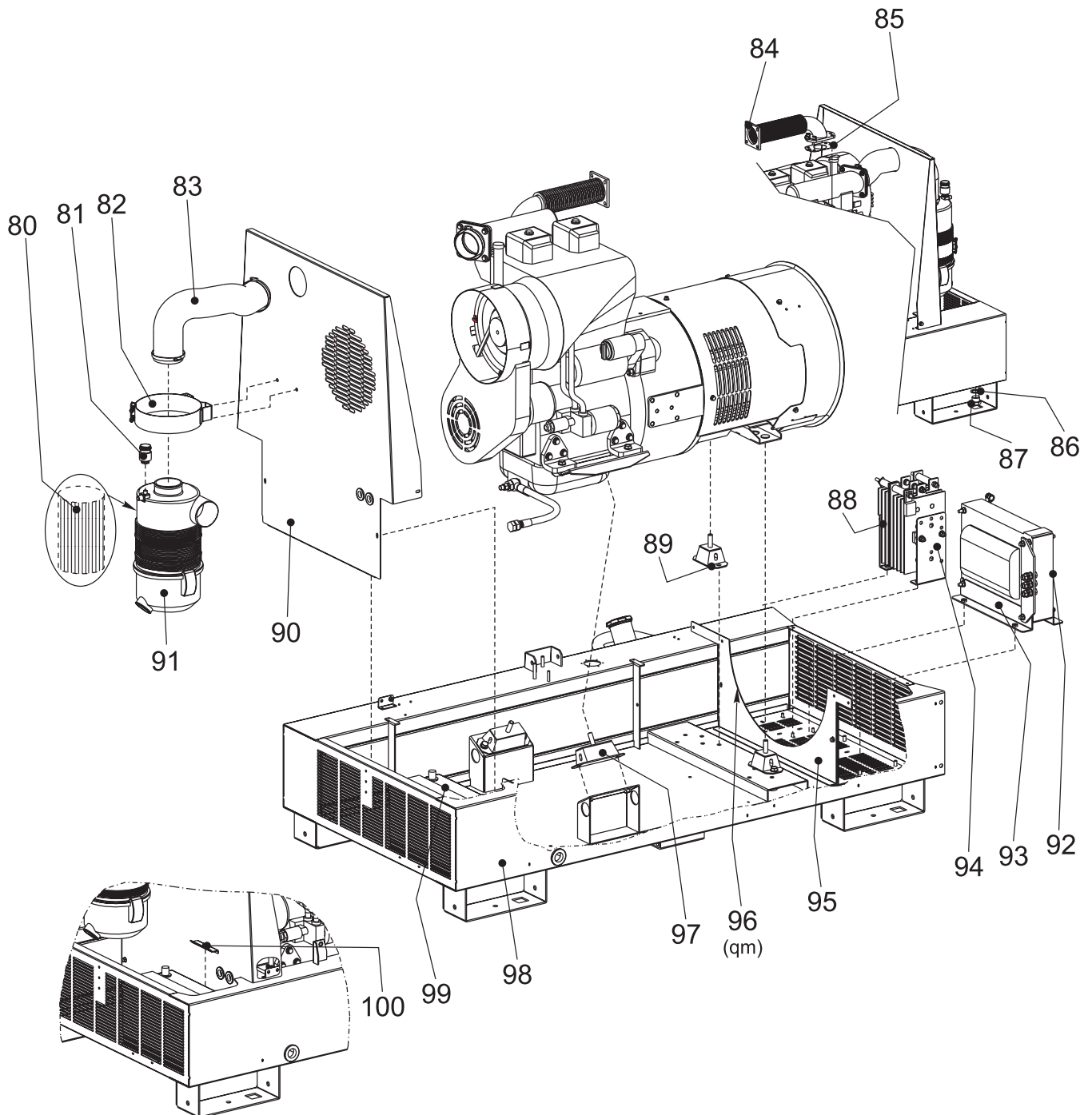
Tavola		EA	12
Pos	Rev	Cod	Descr
1		107301390	ANELLO
2		107601470	VENTOLA COMPLETA
3		343332040	CONVOGLIATORE ARIA MOTORE
4		307806010	CONVOGLIATORE GENERATORE
5		282008222	COPERTURA ALTERNATORE
6		343332212	TUBO SCARICO OLIO
7		264143015	<i>Manca la descrizione aggiunt</i> (50Hz Version)
7 a		264163015	<i>Manca la descrizione aggiunt</i> (60Hz Version)
8		6050050	ANELLO SEEGER
9		282003030	ALBERO ROTORE (COMPL.)
10		765003012	DISCO X ALBERO ROTORE (sp.1 - MECC-ALTE)
10 a		765013012	DISCO ALBERO ROTORE (sp.1,5 - NSM)
11		282002200	MOTORE VM SUN2105 (14A) (50Hz Version)
11 a		264162200	<i>Manca la descrizione aggiunt</i> (60Hz Version)
12		307802224	PIASTRA SUPPORTO MOTORE
13		105631146	TESTINA SNODATA
14		305772219	LEVA COMANDO GAS
15		342209056	TIRANTE COMANDO ELETTROMAGNETE
16		1001050	CUSCINETTO
17		342209058	TIRANTE SNODATO
18		765008224	STAFFA SUPPORTO COPERTURA ALT.
19		305779101	STAFFA
20		307803101	TRAVERSA ALTERNATORE
21		219869055	ELETTROMAGNETE ARRESTO MOTORE
22		107509005	GUARNIZIONE (qm)
23		102302280	GUARNIZIONE (L=MT.1) (qm)



Tavole Ricambi

Modello EA TS-DSP 415 VS E VSX/EL

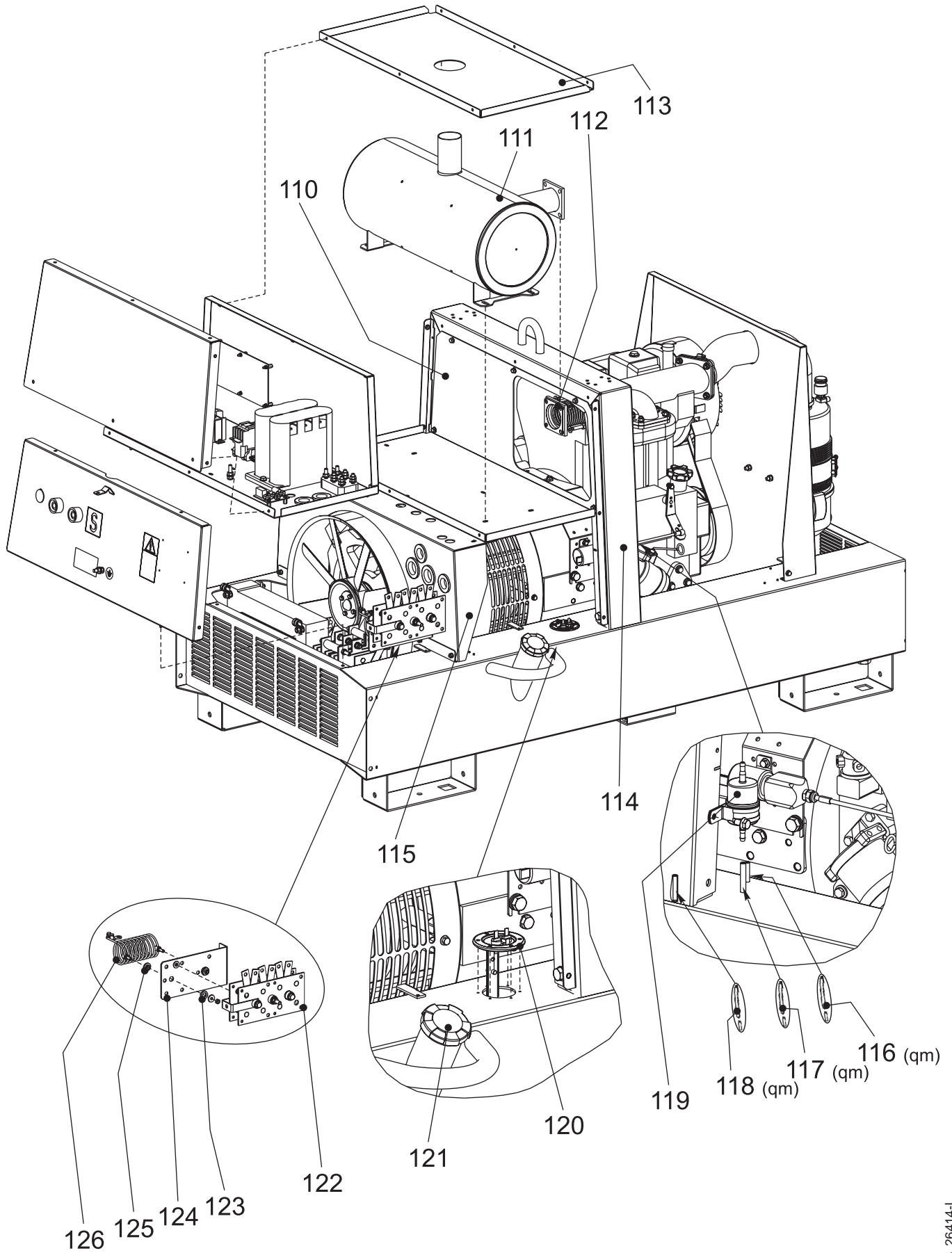
Tavola		EA	13	
Pos	Rev	Cod	Descr	
30		282009741	INTERRUTTORE UNIPOLARE 15A	
31		836709701	POTENZIOMETRO	
32		219937130	COPERCHIO INTERRUT.DIFFERENZ.	
33		219937036	STAFFA	
34		105111540	Vedi Cod.219937105	
35		105111550	VOLTMETRO FS 500V	
36		105511810	CONTAORE	
36 a		205187330	CONTAORE (60HZ)	
37		325507210	INDICATORE LIVELLO CARBURANTE	
38		155307107	DISGIUNTORE TERMICO	
39		352007109	PROTEZIONE TERMICA 5A	
40		107302460	STARTER A CHIAVE	
41		1302040	SPIA 12V	
42		307047250	PRESA 110V 16A	(400Y230I110I - 50/60Hz Version)
43		105111530	PRESA CEE 32A 110V	(400Y230I110I - 50/60Hz Version)
44		264147020	<i>Manca la descrizione aggiunt</i>	
45		307017240	PRESA 220V 16A	
46		105111520	PRESA CEE 220V MONOFASE	
47		105111510	PRESA CEE 380V TRIFASE	
48		107517032	COPERCHIO PRESE 48V	
49		101131220	PRESA DINSE	
50		873407107	DISGIUNTORE TERMICO 30A/250V	
51		1291250	FUSIBILE	
52		307759045	PORTAFUSIBILE	
53		107509890	SHUNT DI MISURA	
54		700409860	UNITA' FILTRO ANTIDISTURBI	
55		107509041	SBARRETTA BOX CONDENSATORI	
56		307809880	BOX CONDENSATORI 3X80 UF	
57		209719850	SCHEDA EV/ES	
58		209719882	STAFFA BOX CONDENSATORI	
59		317807220	TELERUTTORE PONTE DI BASE	
60		1243020	GUIDA PER MORSETTIERA	
61		282009807	DISTANZ. ISOLANTE PER SCHEDE	
62		105111830	MORSETTIERA	
63		218019874	STAFFA BLOCC.TRASFORM.AUSIL.	
64		107509870	TRASFORMATORE	
65		208019800	SCHEDA DI CONTROLLO SALDATURA	
66		282007010	SCATOLA ELETTRICA	
67		102044400	PRESA DI SALDATURA (-)	
68		102301310	PRESA DI SALDATURA (+)	
69		264147205	<i>Manca la descrizione aggiunt</i>	
70		107509903	PRESA	
71		102042740	CAPPUCCIO	
72		102013290	COMMUTATORE	
73		282009962	CAPPUCCIO ISOLANTE x INTERRUT.	
74		107509702	MANOPOLA REG.CORRENTE SALDAT.	



Tavole Ricambi

Modello EA TS-DSP 415 VS E VSX/EL

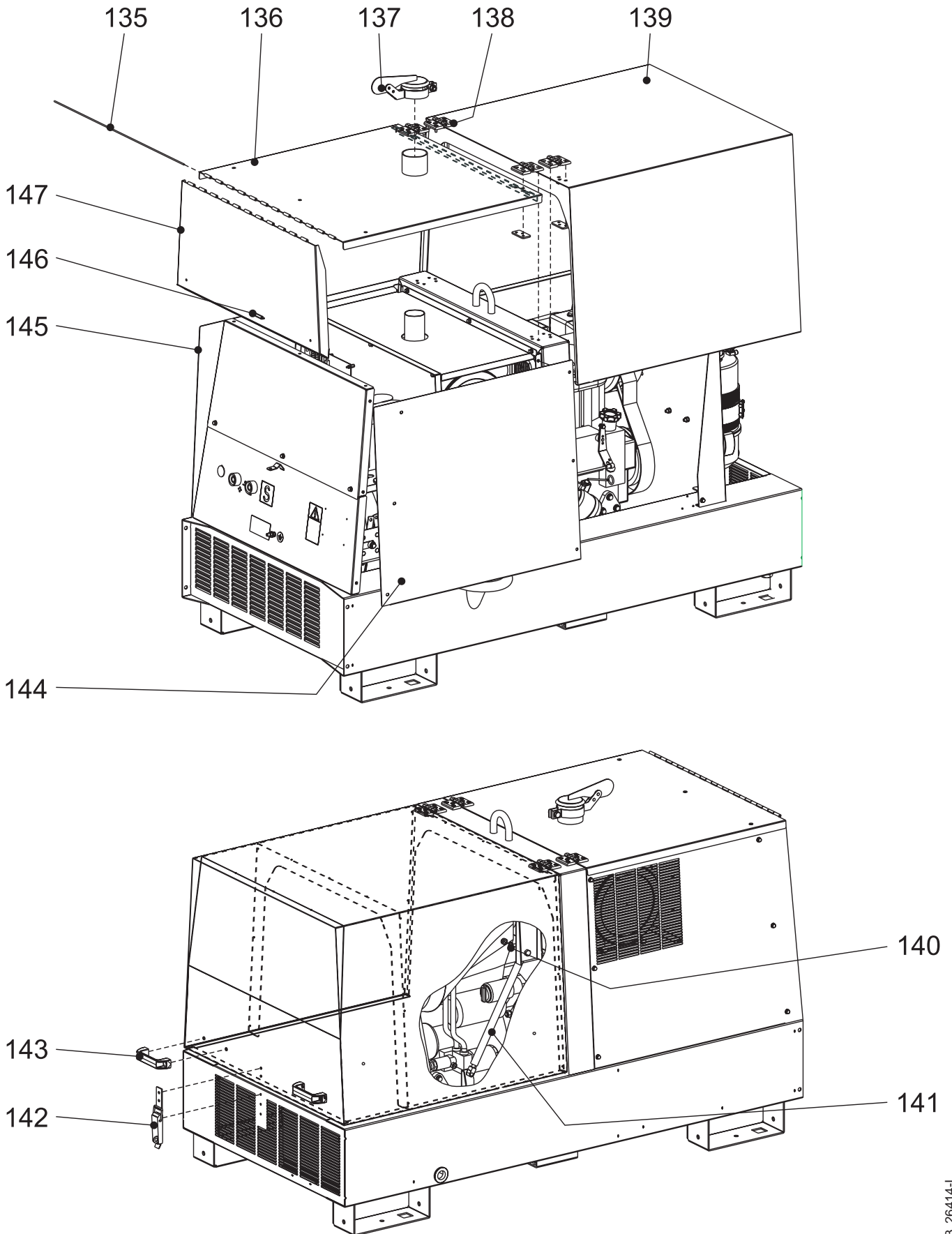
Tavola		EA	14
Pos	Rev	Cod	Descr
80		342802132	ELEMENTO FILTRANTE
81		325462131	INDICAT.INTASAMENTO F.ARIA
82		342802125	FASCETTA
83		1229870	TUBO FLESSIBILE (MT.1)
84		282002070	TUBO SCARICO
85		305752069	GUARNIZIONE COLLETTORE SCARICO
86		308102023	GUARNIZIONE
87		308101262	TAPPO SCARICO SERBATOIO
88		317805100	PONTE DIODI
89		105612070	ANTIVIBRANTE
90		343338221	PARATIA ASPIRAZIONE MOTORE
91		342802130	FILTRO ARIA COMPLETO
92		364124100	REATTORE DI LIVELLO
93		264144110	<i>Manca la descrizione aggiunt</i>
94		317805091	STAFFA SUPPORTO PONTE DI BASE
95		366108218	PARATIA INFERIORE ALTERNATORE
96		102302280	GUARNIZIONE (L=MT.1) (qm)
97		105612060	ANTIVIBRANTE
98		282001050	BASAMENTO
99		105611470	BATTERIA 100 AH
100		107301770	STAFFA



Tavole Ricambi

Modello **EA** **TS-DSP 415 VS E VSX/EL**

Tavola		EA	15
Pos	Rev	Cod	Descr
110		282008225	PARATIA CAMERA SILENZ. SCARICO
111		343332050	SILENZIATORE DI SCARICO
112		325252069	GUARNIZIONE
113		282008123	COPERCHIO CAMERA SILEN.SCARICO
114		282001100	ROLL-BAR (COMPLETO)
115		366108217	PARATIA SUPERIORE ALTERNATORE
116		307402208	TUBO IN GOMMA (L=MT.1) (qm)
117		308102207	TUBO GOMMA (L=MT.1) (qm)
118		107301890	TUBO SFIATO (L=MT.1) (qm)
119		256602228	FILTRO GASOLIO
120		307719975	GALLEGGIANTE LIV.CARB.(FINITO)
121		342202026	TAPPO SERBATOIO
122		317805090	PONTE DIODI DI BASE
123		107814013	RONDELLA ISOLANTE
124		317805091	STAFFA SUPPORTO PONTE DI BASE
125		107815043	BOCCOLA ISOLANTE
126		271704010	RESISTORE



Tavole Ricambi

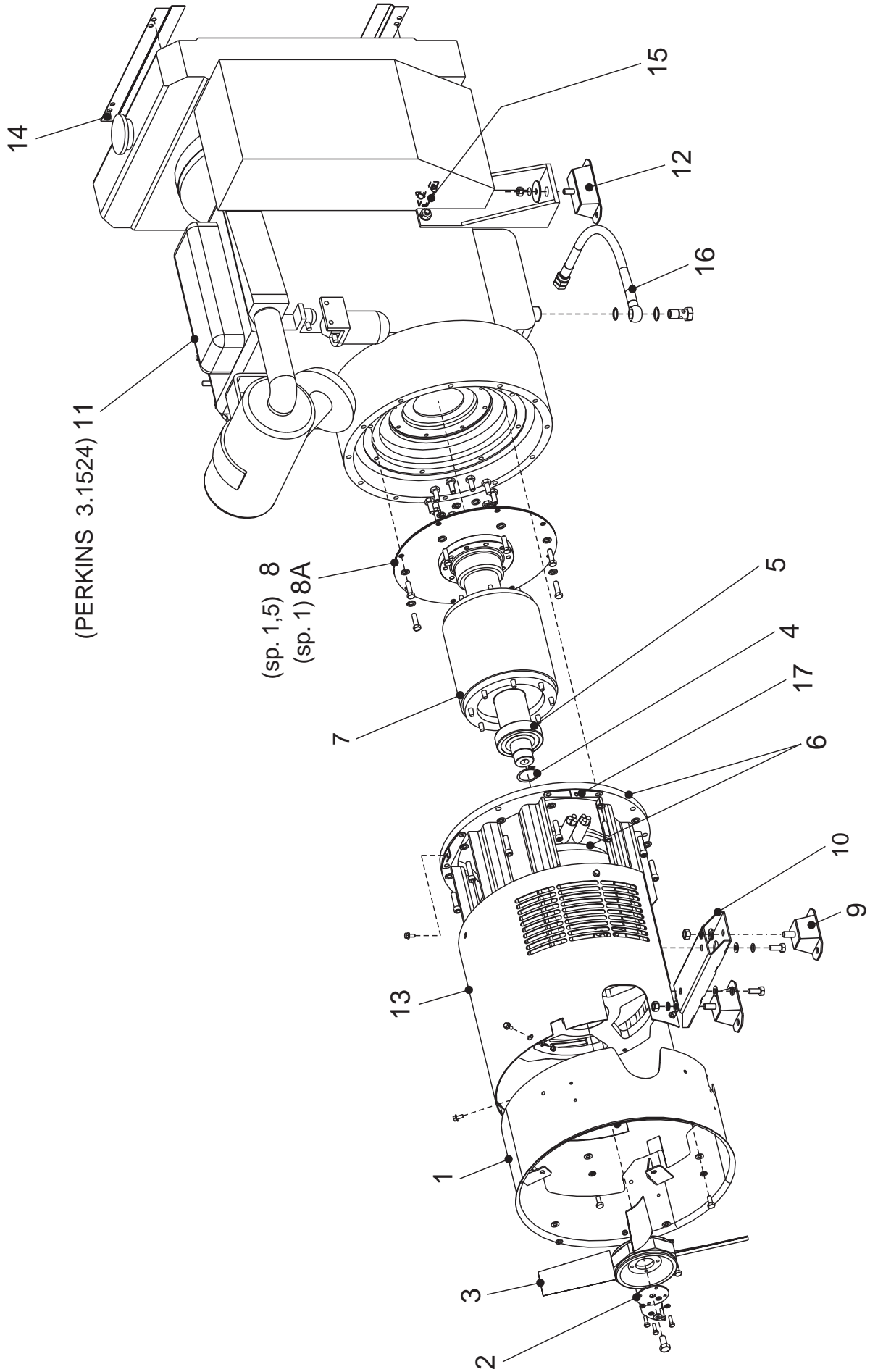
Modello **EA** **TS-DSP 415 VS E VSX/EL**

Tavola		EA	16
Pos	Rev	Cod	Descr
135		343338270	PERNO PER CERNIERA
136		282008021	COPERCHIO CARENATURA ANTERIORE
137		840952053	COPERCHIETTO PARAPIOGGIA
138		744508140	CERNIERA PER FIANCATA
139		343338035	CARENATURA POSTERIORE
140		307808119	DISTANZIALE
141		305718115	PISTONE SOSTEGNO
142		107300180	CHIUSURA COMPL.A LEVA
143		343339601	MANIGLIA
144		282008010	FIANCATA(DX) CARENAT.ANTERIORE
145		282008015	FIANCATA(SX) CARENATURA ANTER.
146		102042870	MOLLA
147		343338100	COPERCHIO FRONTALE

MOSA

TS 500 PS CC/CV



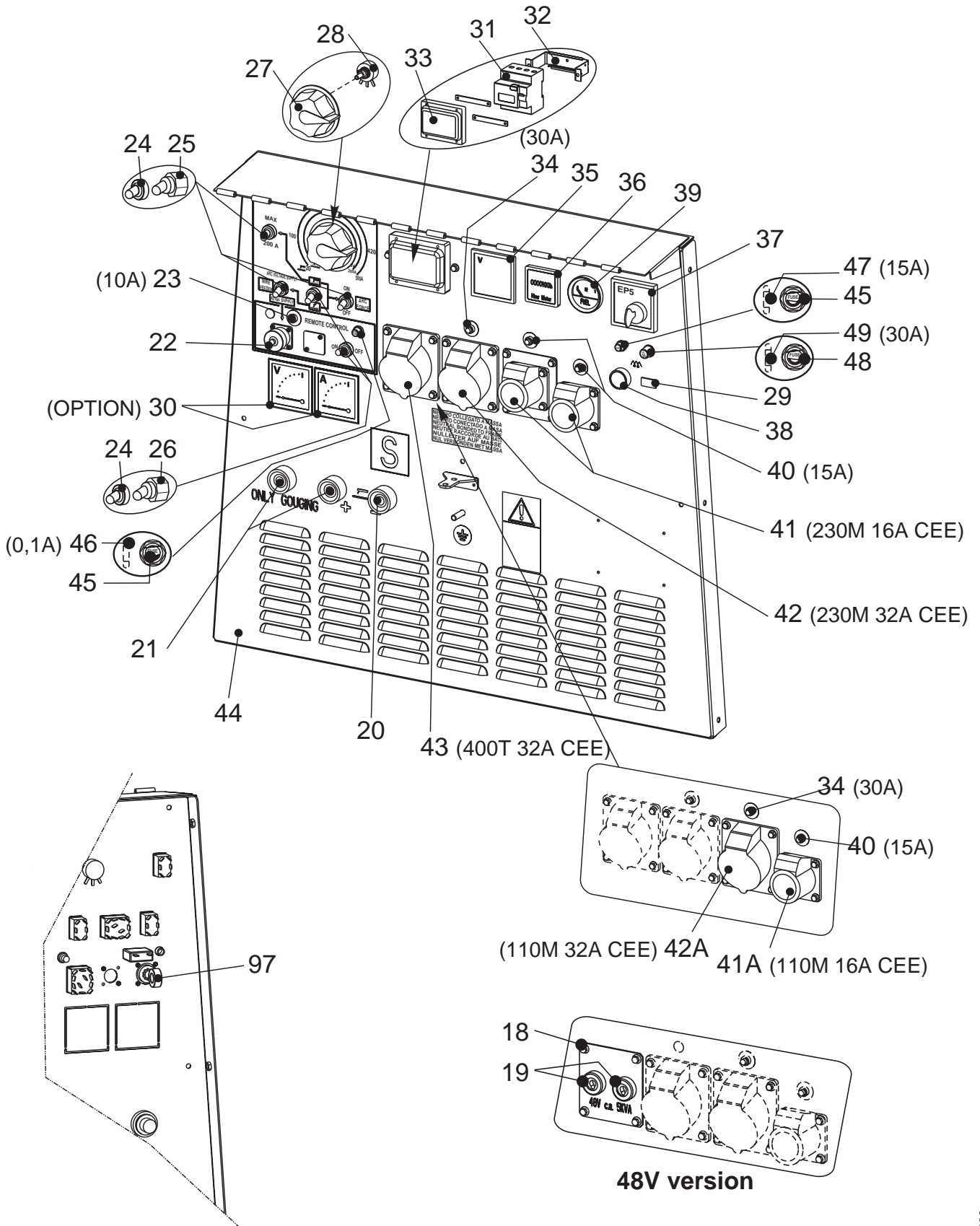


Tavole Ricambi

Modello **EE** **TS 500 PS-SX/EL**

Tavola **EE** **5**

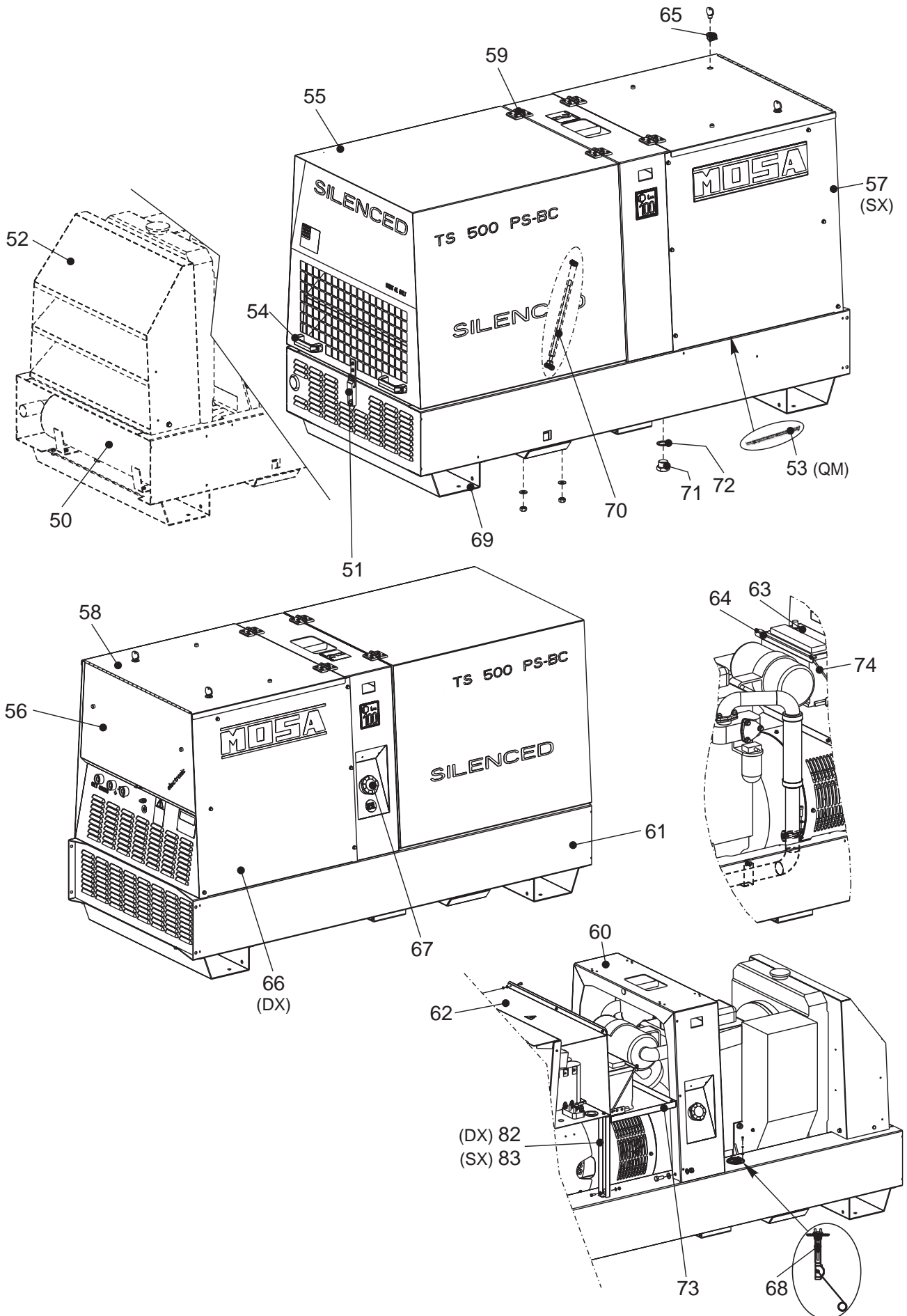
<i>Pos.</i>	<i>Rev. Cod.</i>	<i>Descr.</i>	
1	307806010	GENERATOR CONVEYOR	
2	107301390	RING FIXING FAN	
3	765006020	ALTERNATOR FAN	
4	6050050	RING, SEEGER	
5	1001050	BEARING	
6	765003015	STATOR WITH HOUSING	50Hz
7	765003030	SHAFT WITH ROTOR	
8	765003012	DISC FOR SHAFT WITH ROTOR	IN ALTERNATIVA AL 765013012
8A	765013012	SHAFT WITH ROTOR DISC	IN ALTERNATIVA AL 765003012
9	105612070	VIBRATION-DAMPER	ALTERNATORE
10	307803101	ALTERNATOR BRACKET	
11	842702200	PERKINS ENGINE 3.1524	VERS. MOSA
12	105612060	VIBRATION DAMPER	MOTORE
13	765008222	ALTERNATOR COVER	
14	765008066	RADIATOR FRAME	
15	765002142	FIXING GRATE STARTER MOTOR	
16	744502212	OIL EXHAUST TUBE	
17	765008224	ALTERNATOR COVER SUPPORT	



Tavole Ricambi

Modello EE TS 500 PS-SX/EL

Tavola		EE	6	
Pos.	Rev.	Cod.	Descr.	
		0000107509702	<i>Manca la descrizione aggiuntiva</i>	
18		107517032	BLIND PLATE, SOCKETS 48V	vers. 48V
19		101131220	SOCKET	vers. 48V
20		765007111	BLACK WELDING SOCKET	
21		765007110	RED WELDING SOCKET	
22		765009910	CONNECTOR	
23		306467109	THERMOPROTECTION (B.C.)	
24		102042740	CAP	
25		102013290	COMMUTATOR	
26		307809902	FOUR POLE COMMUTATOR	
27		107509702	KNOB,WELDING CURRENT REGULAT.	
28		836709701	POTENTIOMETER	
29		1302080	WARNING LIGHT FOR 48V	
30		765000166	AV1 KIT AMPEROMETER/VOLTMETER	OPTIONAL
31		305027105	GROUNDFAULT INTERRUPTOR (GFI)	
32		219937036	BRACKET	
33		219937130	COVER GFI	
34		873407107	CIRCUIT BREAKER 30A/250V	
35		305717300	VOLTMETER	
36		105511810	HOURLMETER	50Hz
37		744509770	PCB ENGINE CONTROL EP5	
38		108011240	PUSH BUTTONS	
39		325507210	FUEL LEVEL GAUGE	
40		155307107	THERMAL SWITCH	
41		307017240	EEC SOCKET 16A, 220V 2P+T	
41 a		307047250	SOCKET 110V 16A	
42		105111520	EEC SOCKET SINGLE-PHASE 220V	
42 a		105111530	SOCKET, EEC, 32A 110V	
43		105111510	EEC SOCKET THREE-PHASE 380V	
44		765037020	FRONT PANEL	
45		307759045	FUSE HOLDER	
46		1291250	FUSE	
47		1291030	FUSE 15A 5X20	
48		103011320	HOLDER, FUSE	
49		1291270	FUSE	
97		766019871	LINED TOROIDAL CORE	

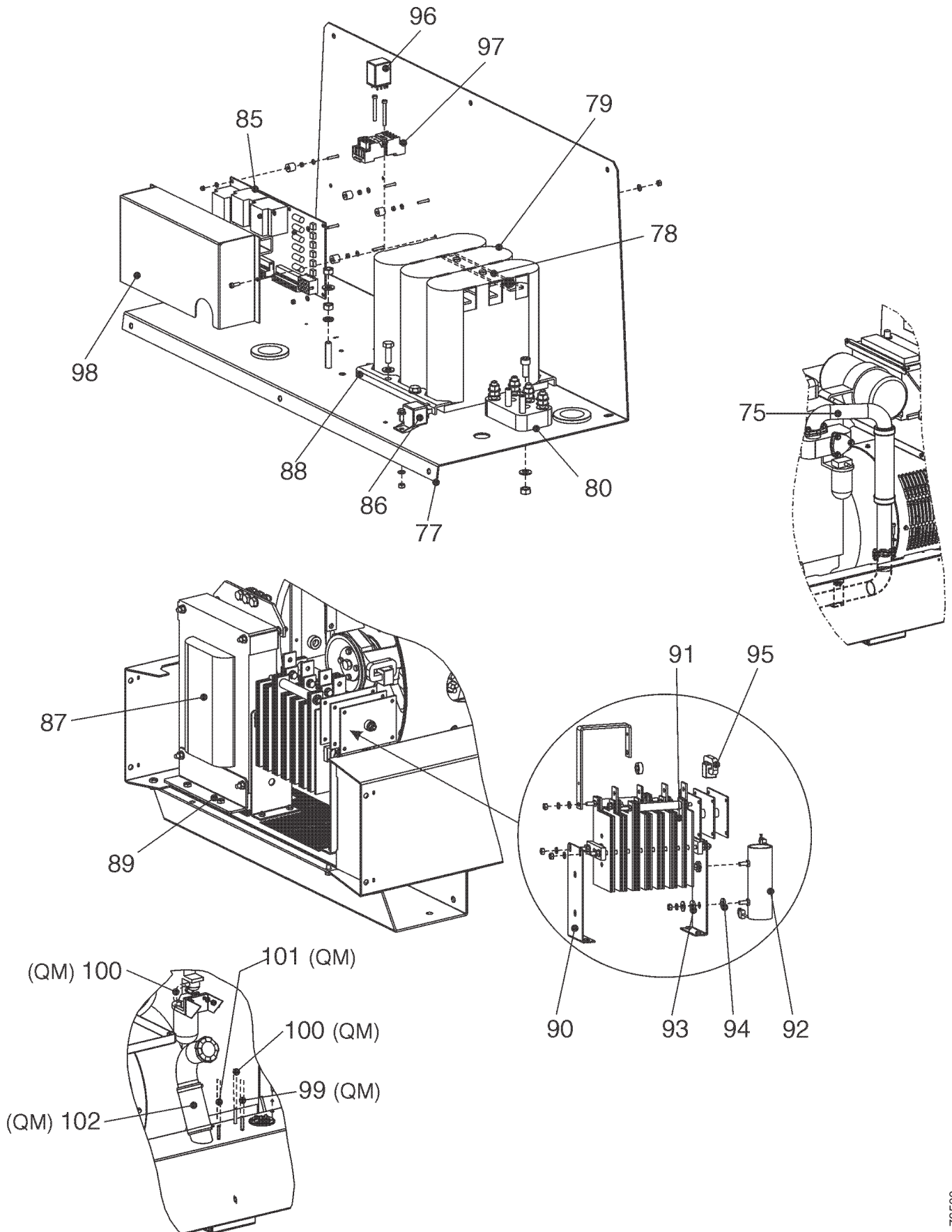


Tavole Ricambi

Modello **EE** **TS 500 PS-SX/EL**

Tavola **EE** **7**

<i>Pos.</i>	<i>Rev. Cod.</i>	<i>Descr.</i>	
50	765002050	MUFFLER EXHAUST	
51	107300180	LATCH	
52	765008065	OUT AIR GRATE	
53	105112270	STRIP, SEALING (L=MT.1)	qm
54	343339601	KNOB	
55	765008035	REAR COVER	
56	765008100	FRONT PANEL	
57	765008004	LEFT SIDE FRONT COVER	
58	765008021	COVERING FRONT COVER	
59	744508140	LATCH	
60	765001100	ROLL BAR	
61	765001050	BASE	
62	765007015	ELECTRICAL BOX COVER	
63	105611470	BATTERY 100 AH	
64	766019152	BATTERY FIXING BRACKET	
65	765008112	LATCH FOR ELECTRICAL BOX COVER	
66	765008010	RIGHT SIDE FRONT COVER	
67	342202026	CAP, FUEL TANK	
68	307719975	FUEL LEVEL GAUGE	
69	765001083	BASE PARKING STAND	
70	305718115	SUPPORT, REAR COVER	
71	308101262	FUEL TANK CAP	
72	308102023	GASKET	
74	105611270	TIE ROD, BATTERY	
82	765008239	BRACKET PANEL	
83	765008240	BRACKET PANEL	

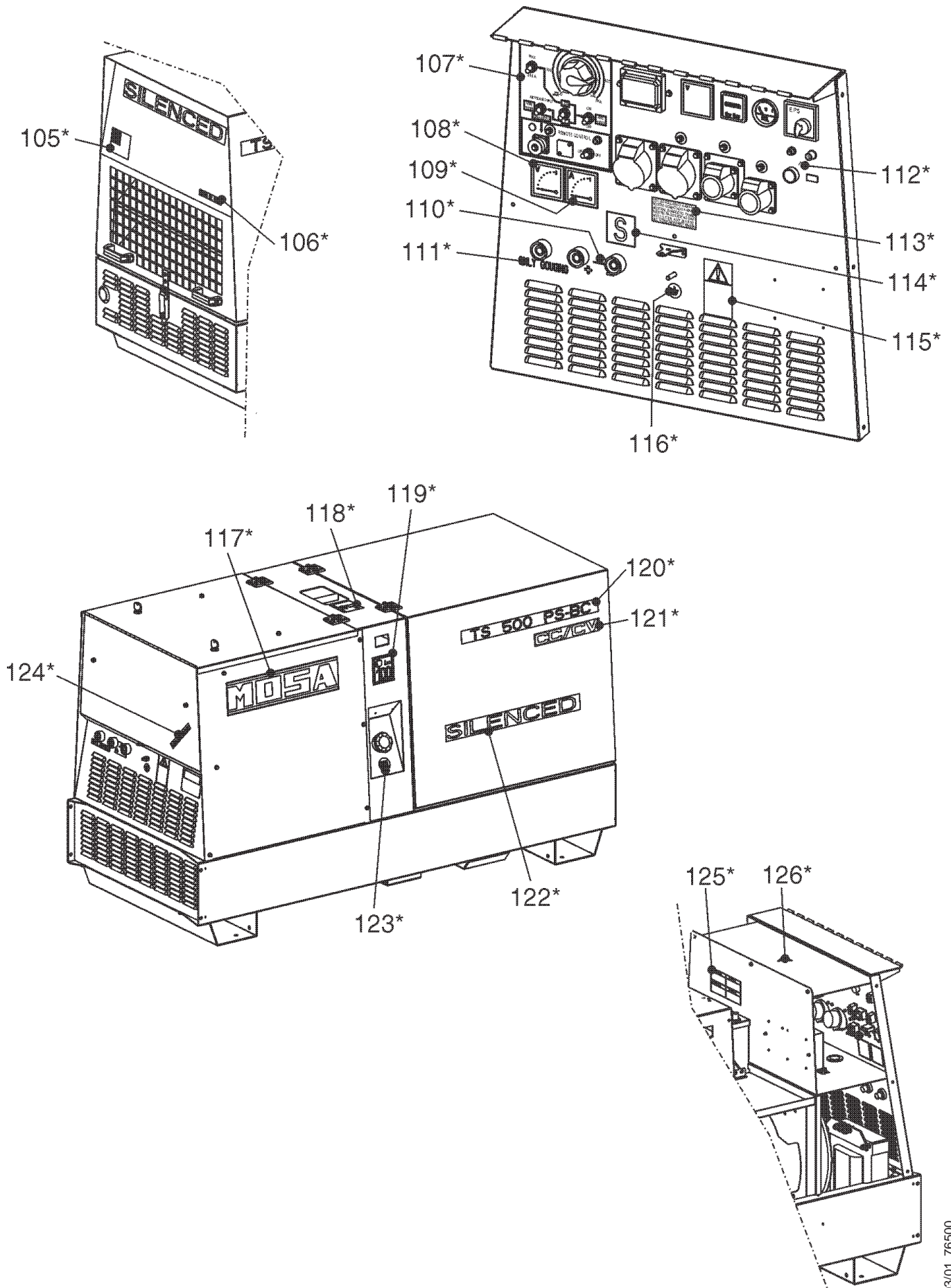


Tavole Ricambi

Modello **EE** **TS 500 PS-SX/EL**

Tavola **EE** **8**

<i>Pos.</i>	<i>Rev. Cod.</i>	<i>Descr.</i>	
75	765002070	EXHAUST TUBE	
77	765007010	ELECTRICAL BOX	
78	765009041	CAPACITORS BOX BRACKET	
79	866709880	CAPACITORS BOX 3X60MF	
80	105111830	TERMINAL BOARD	
81	765008290	ALTERNATOR TOP COVER	
85	375209800	WELDING CONTROL PCB	
86	306479199	RELAY, ELECTRIC START	
87	765004100	LEVEL REACTANCE	
88	765009882	CAPACITORS BOX FIXING BRACKET	
89	765004110	REACTANCE SUPPORT BRACKET	
90	366105091	RECTIFIER ASSY BRACKET	
91	366105300	RECTIFIER ASSY	
92	766704010	POWER RESISTANCE	
93	309015043	WASHER	
94	309014013	SPACER	
95	107659871	TRANSFORMER AUX	
96	765039747	RELAY 48V	
97	765039748	BASE RELAY	
98	766019654	WELDING PCB PROTECTION BOX	
99	308102207	PIPE	QM
100	6095060	PIPE BLACK RUBBER	QM
101	107301890	PIPE, BREATHER (L=MT.1)	QM
102	6095030	PIPE	QM



Tavole Ricambi

Modello **EE** **TS 500 PS-SX/EL**

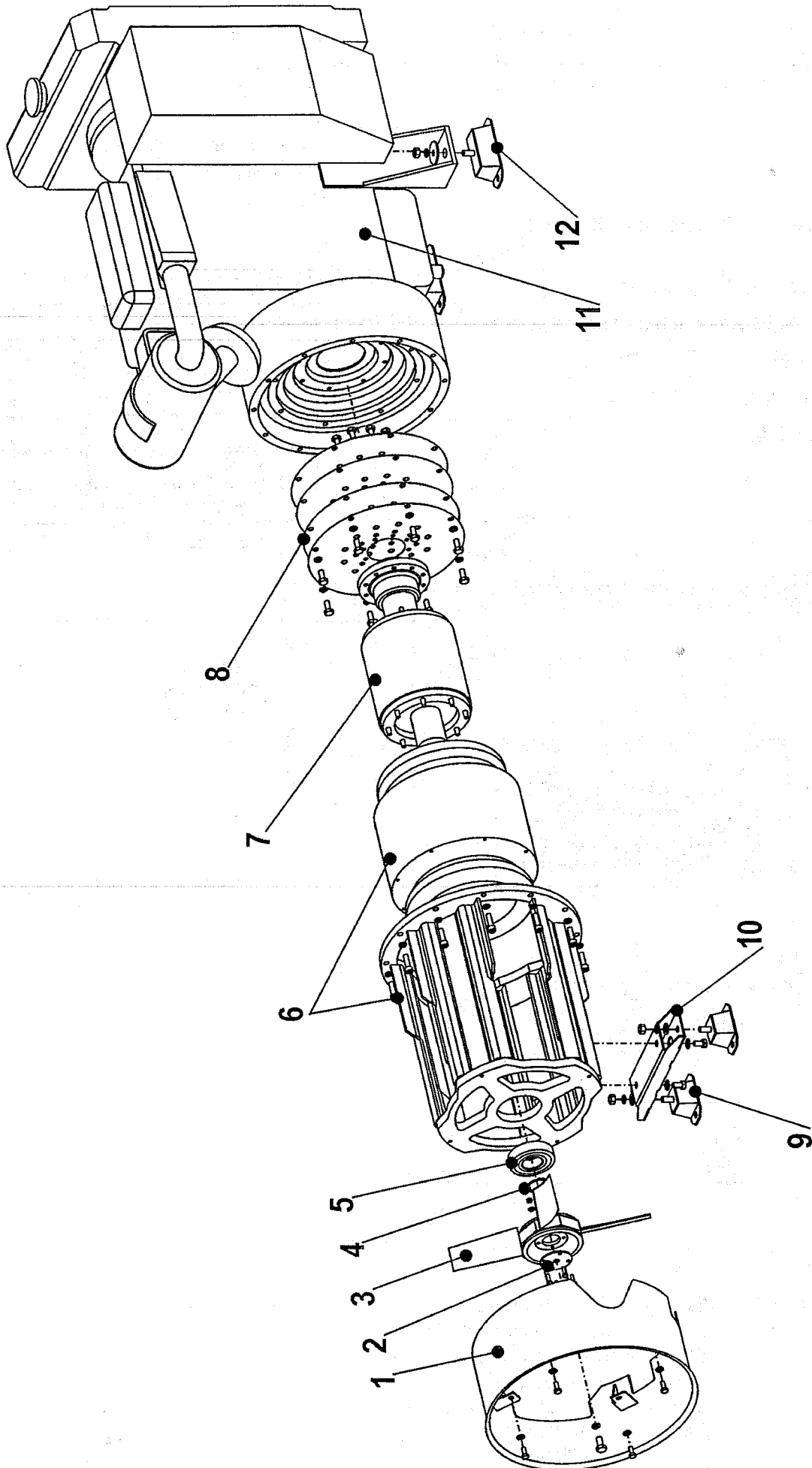
Tavola **EE** **9**

<i>Pos.</i>	<i>Rev. Cod.</i>	<i>Descr.</i>
105	700400250	STICKERS "ATTENTION"
106	319860227	STICKER "DAILY OIL CHECK"
107	765030181	STICKER "WELD.CONTROL CURRENT"
108	765000269	STICKER VOLTMETER
109	765000270	STICKER AMPEROMETER
110	307800212	STICKER "WELDING SOCKETS"
111	364120256	STICKER "ONLY GOUGING"
112	730950227	STICKER "SPARK PLUG"
113	212020225	STICKERS BONDED TO FRAME
114	866700239	STICKER "S"
115	734500253	STICKER "INSTRUCTIONS MANUAL"
116	207400207	STICKER "EARTH"
117	207600194	STICKER "MOSA"
118	209710202	STICKER
119	305910196	STICKERS "LWA 100"
120	765010183	STICKER MACHINE MODEL
121	765050213	STICKER CC/CV
122	207500187	STICKER "SILENCED"
123	107011150	LABEL, FUEL
124	209710206	STICKER "ELECTRONIC"
125	766010250	STICKER "BATTERY ATTENTION"
126	734500250	STICKER ELECTRICAL VOLTAGE

MOSA

TS 500 PS/EL BC

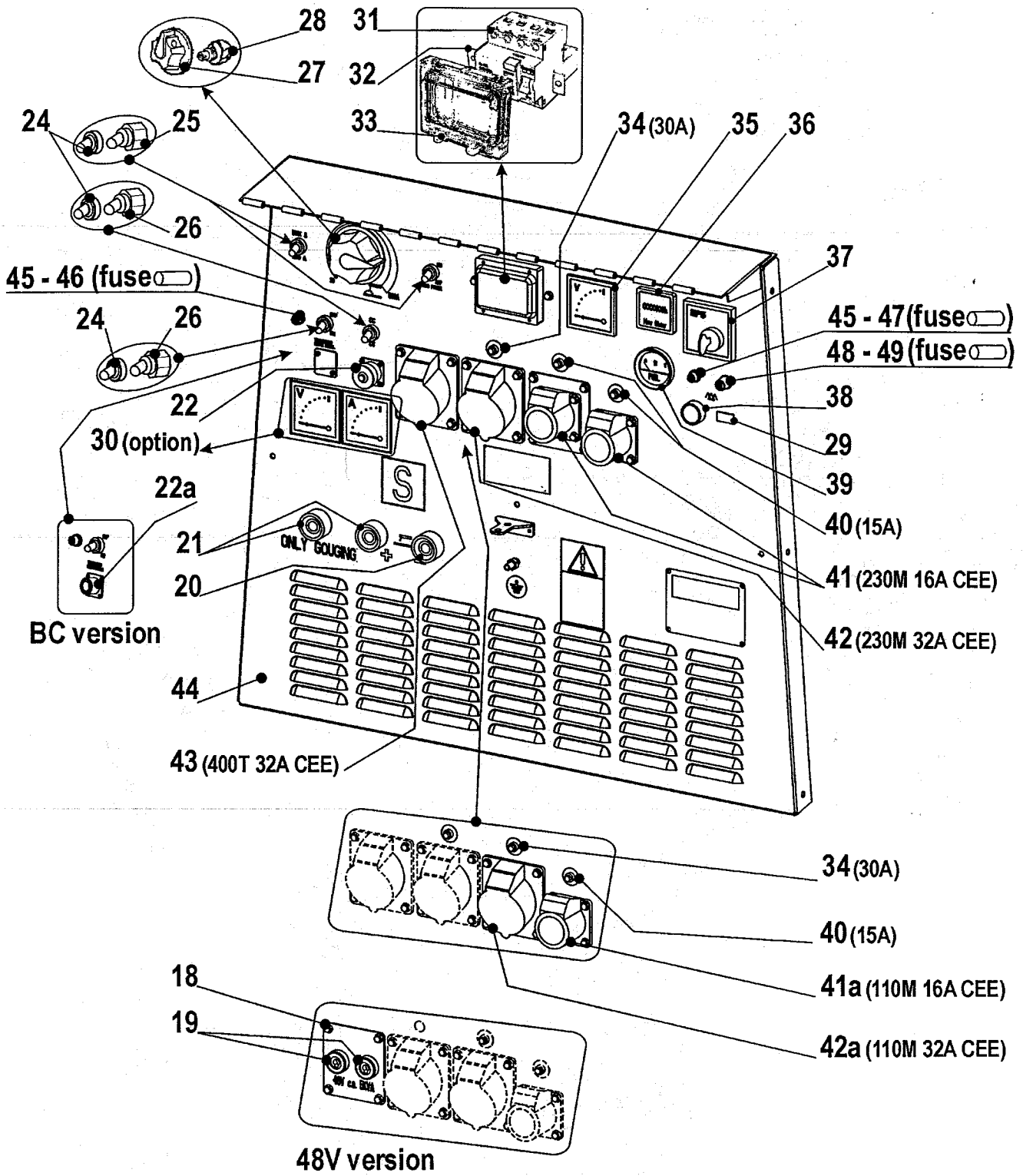




Tavole Ricambi

Modello **EE** **TS-DSP 500 PS E PSX/EL**

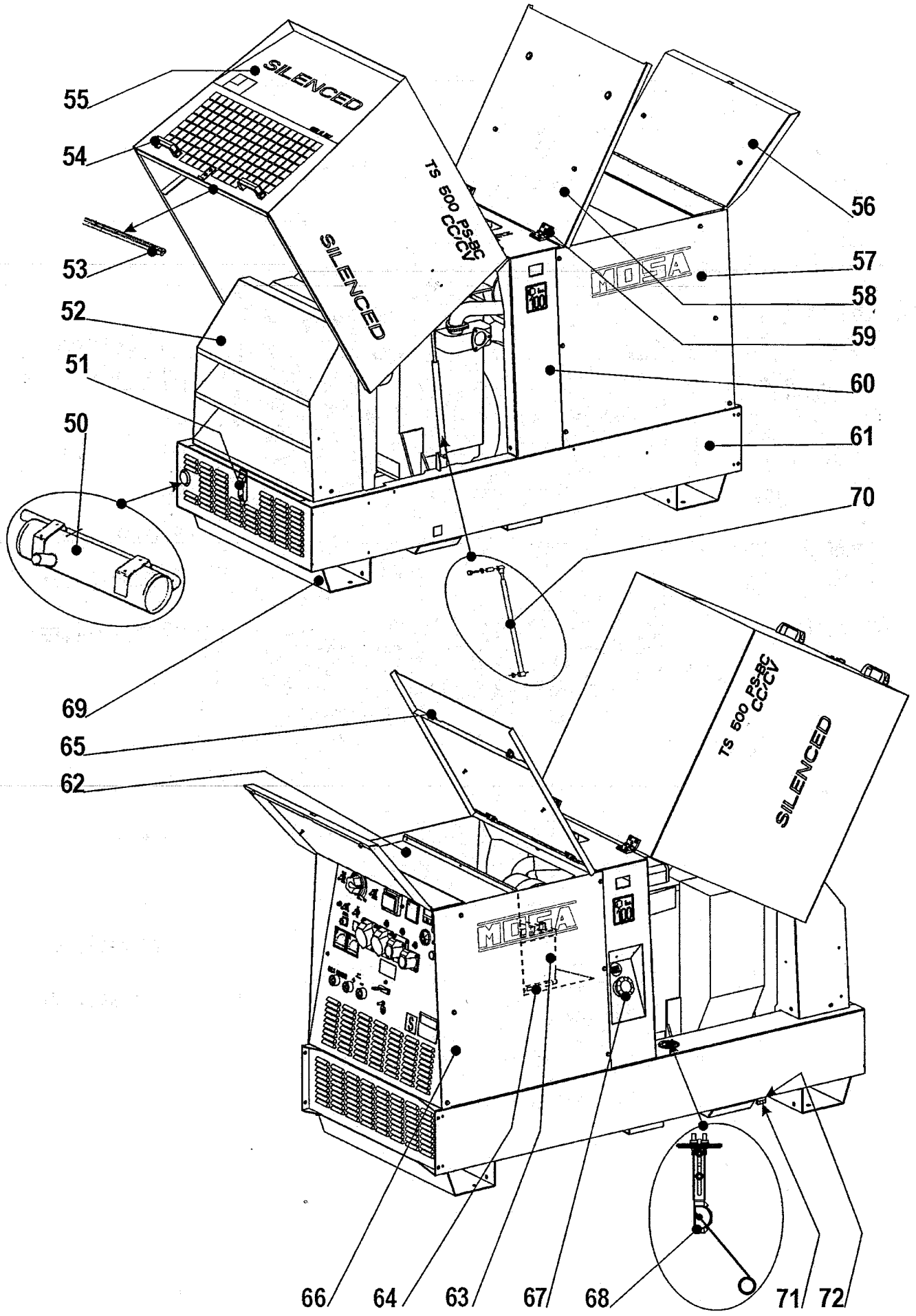
Tavola		EE	1	
<i>Pos.</i>	<i>Rev.</i>	<i>Cod.</i>	<i>Descr.</i>	
1		307806010	GENERATOR CONVEYOR	
2		107301390	RING FIXING FAN	
3		765006020	ALTERNATOR FAN	
4		6050050	RING, SEEGER	
5		1001050	BEARING	
6		765003015	STATOR WITH HOUSING	50Hz
6a		760043015	STATOR WITH HOUSING	60Hz
7		765003030	SHAFT WITH ROTOR	
8		765003012	DISC FOR SHAFT WITH ROTOR	IN ALTERNATIVA A 765013012
8a	A	765013012	SHAFT WITH ROTOR DISC	IN ALTERNATIVA A 765003012
9		105612070	VIBRATION-DAMPER	ALTERNATORE
10		307803101	ALTERNATOR BRACKET	
11		842702200	PERKINS ENGINE 3.1524	VERS. MOSA
12		105612060	VIBRATION DAMPER	MOTORE
13	A	765008222	ALTERNATOR COVER	
14	A	765008066	RADIATOR FRAME	
15	A	765002142	FIXING GRATE STARTER MOTOR	
16	A	744502212	OIL EXHAUST TUBE	
17	A	765008224	ALTERNATOR COVER SUPPORT	



Tavole Ricambi

Modello **EE** **TS-DSP 500 PS E PSX/EL**

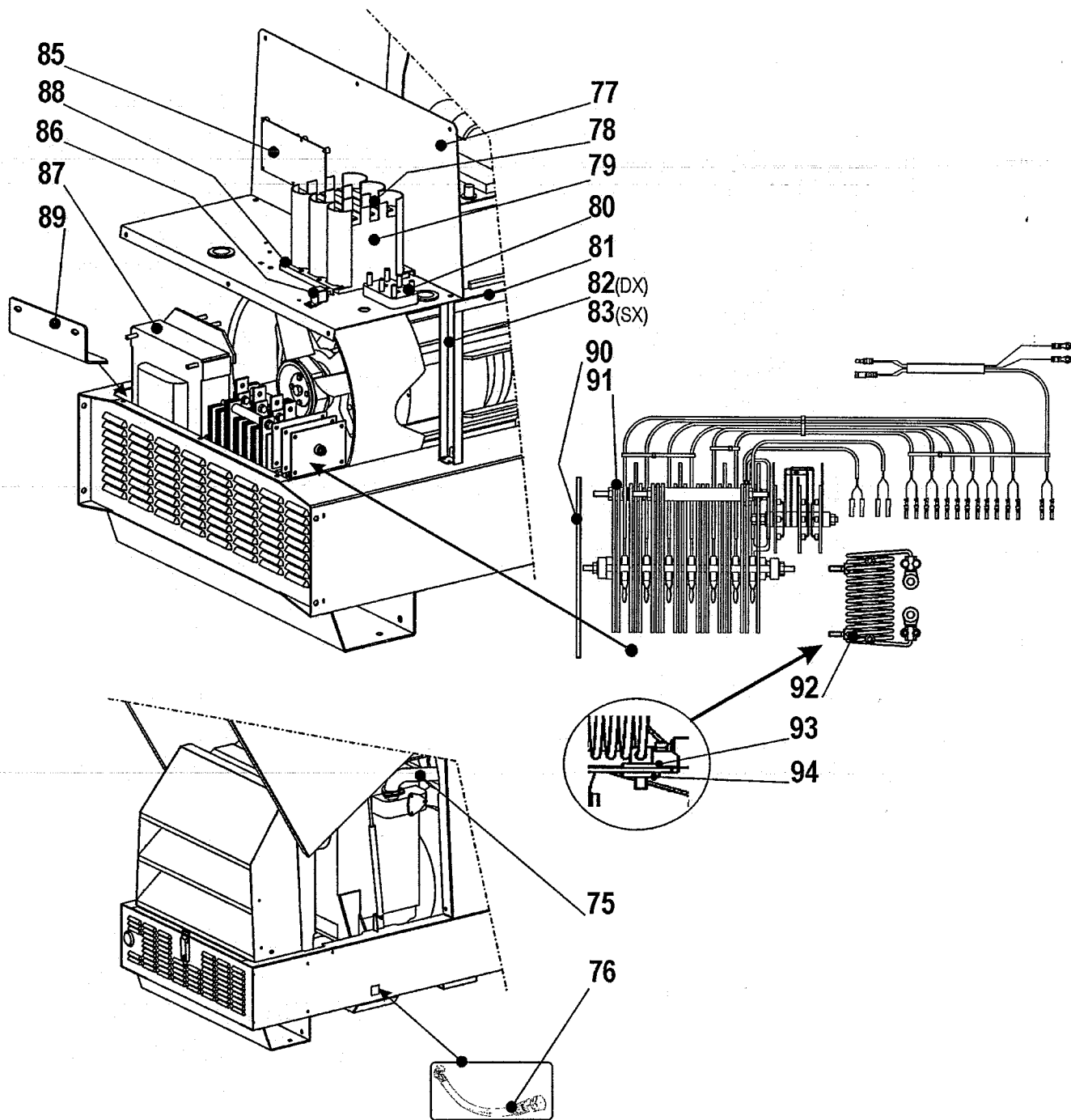
Tavola		EE	2	
Pos.	Rev.	Cod.	Descr.	
		0000107509702	<i>Manca la descrizione aggiuntiva</i>	
20		765007111	BLACK WELDING SOCKET	
21		765007110	RED WELDING SOCKET	
22		317809910	CONNECTOR	
23	A	306467109	THERMOPROTECTION (B.C.)	
24		102042740	CAP	
25		102013290	COMMUTATOR	
26		307809902	FOUR POLE COMMUTATOR	
27		107509702	KNOB, WELDING CURRENT REGULAT.	
28		836709701	POTENTIOMETER	
29		1302080	WARNING LIGHT FOR 48V	
30		765000166	AV1 KIT AMPEROMETER/VOLTMETER	OPTIONAL
31		305027105	GROUNDFAULT INTERRUPTOR (GFI)	
32		219937036	BRACKET	
33		219937130	COVER GFI	
34		873407107	CIRCUIT BREAKER 30A/250V	
35		305717300	VOLTMETER	
36		105511810	HOURMETER	50Hz
36A		205187330	HOURMETER (60HZ)	60Hz
37		744509770	PCB ENGINE CONTROL EP5	
38		108011240	PUSH BUTTONS	
39		325507210	FUEL LEVEL GAUGE	
40		155307107	THERMAL SWITCH	
41		307017240	EEC SOCKET 16A, 220V 2P+T	
41a		307047250	SOCKET 110V 16A	
42		105111520	EEC SOCKET SINGLE-PHASE 220V	
42a		105111530	SOCKET, EEC, 32A 110V	
43		105111510	EEC SOCKET THREE-PHASE 380V	
44	A	765037020	FRONT PANEL	
45		307759045	FUSE HOLDER	
46		1291250	FUSE	
47		1291030	FUSE 15A 5X20	
48		103011320	HOLDER, FUSE	
49		1291270	FUSE	
96	A	1291130	FUSE	
97	A	766019871	LINED TOROIDAL CORE	



Tavole Ricambi

Modello **EE** **TS-DSP 500 PS E PSX/EL**

Tavola		EE	3	
<i>Pos.</i>	<i>Rev. Cod.</i>	<i>Descr.</i>		
50		765002050	MUFFLER EXHAUST	
51		107300180	LATCH	
52		765008065	OUT AIR GRATE	
53		105112270	STRIP, SEALING (L=MT.1)	qm
54		343339601	KNOB	
55		765008035	REAR COVER	
56		765008100	FRONT PANEL	
57		765008004	LEFT SIDE FRONT COVER	
58		765008021	COVERING FRONT COVER	
59		744508140	LATCH	
60		765001100	ROLL BAR	
61		765001050	BASE	
62		765007015	ELECTRICAL BOX COVER	
63		105611470	BATTERY 100 AH	
64	A	766019152	BATTERY FIXING BRACKET	
65		765008112	LATCH FOR ELECTRICAL BOX COVER	
66		765008010	RIGHT SIDE FRONT COVER	
67		342202026	CAP, FUEL TANK	
68		307719975	FUEL LEVEL GAUGE	
69		765001083	BASE PARKING STAND	
70		305718115	SUPPORT, REAR COVER	
71		308101262	FUEL TANK CAP	
72		308102023	GASKET	
74	A	105611270	TIE ROD, BATTERY	



Tavole Ricambi

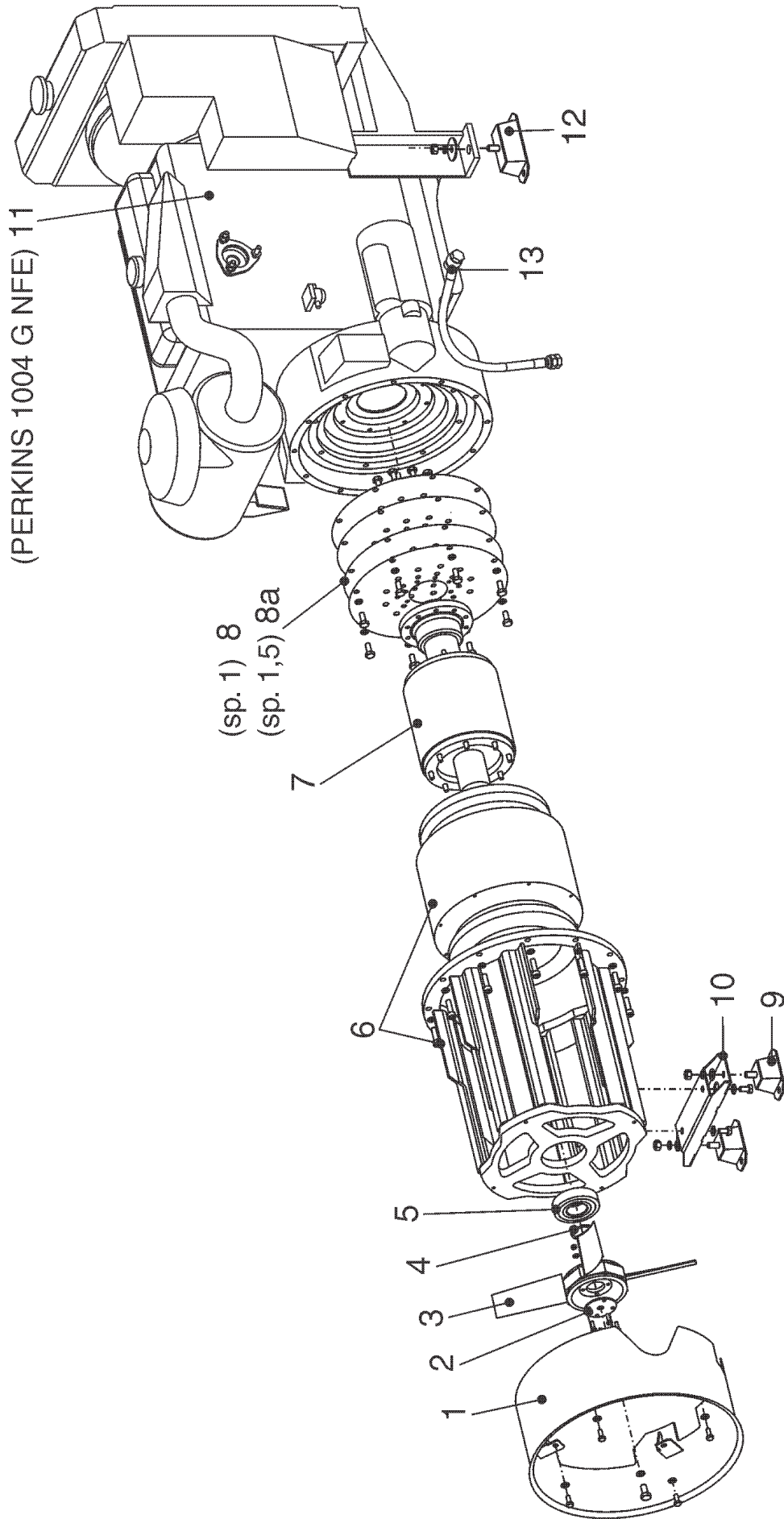
Modello **EE** **TS-DSP 500 PS E PSX/EL**

Tavola		EE	4
<i>Pos.</i>	<i>Rev. Cod.</i>	<i>Descr.</i>	
75		765002070	EXHAUST TUBE
77		765007010	ELECTRICAL BOX
78		765009041	CAPACITORS BOX BRACKET
79		866709880	CAPACITORS BOX 3X60MF
80		105111830	TERMINAL BOARD
81		765008290	ALTERNATOR TOP COVER
82		765008239	BRACKET PANEL
83		765008240	BRACKET PANEL
85		375209800	WELDING CONTROL PCB
86		306479199	RELAY, ELECTRIC START
87		765004100	LEVEL REACTANCE
88		765009882	CAPACITORS BOX FIXING BRACKET
89		765004110	REACTANCE SUPPORT BRACKET
90		366105091	RECTIFIER ASSY BRACKET
91		366105300	RECTIFIER ASSY
92		766704010	POWER RESISTANCE
93		309015043	WASHER
94		309014013	SPACER
95	A	107659871	TRANSFORMER AUX
96	A	765039747	RELAY 48V
97	A	765039748	BASE RELAY
98	A	766019654	WELDING PCB PROTECTION BOX

MOSA

TS 600 PS-PSX BC

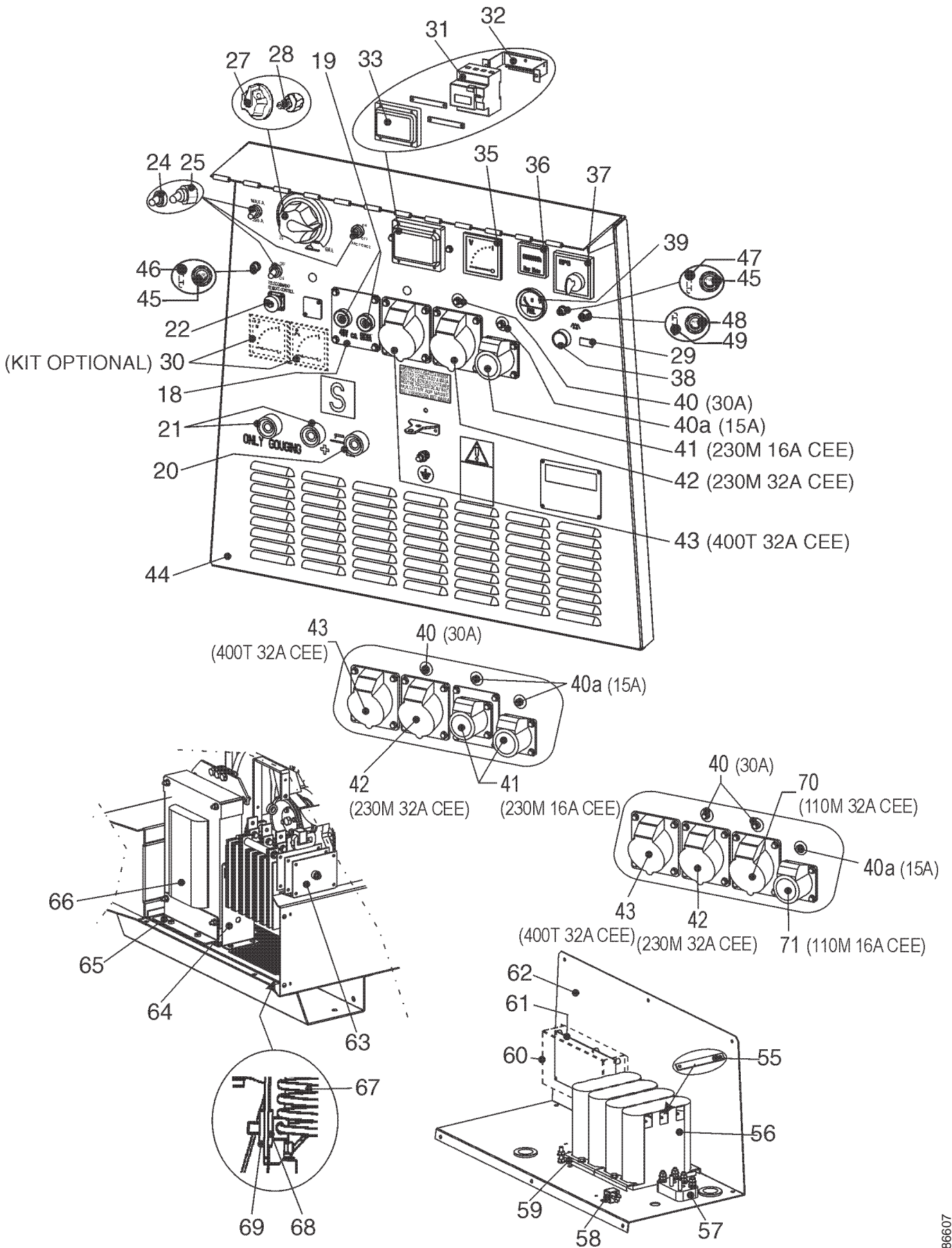




Tavole Ricambi

Modello EF TS 600 PS e PSX/EL

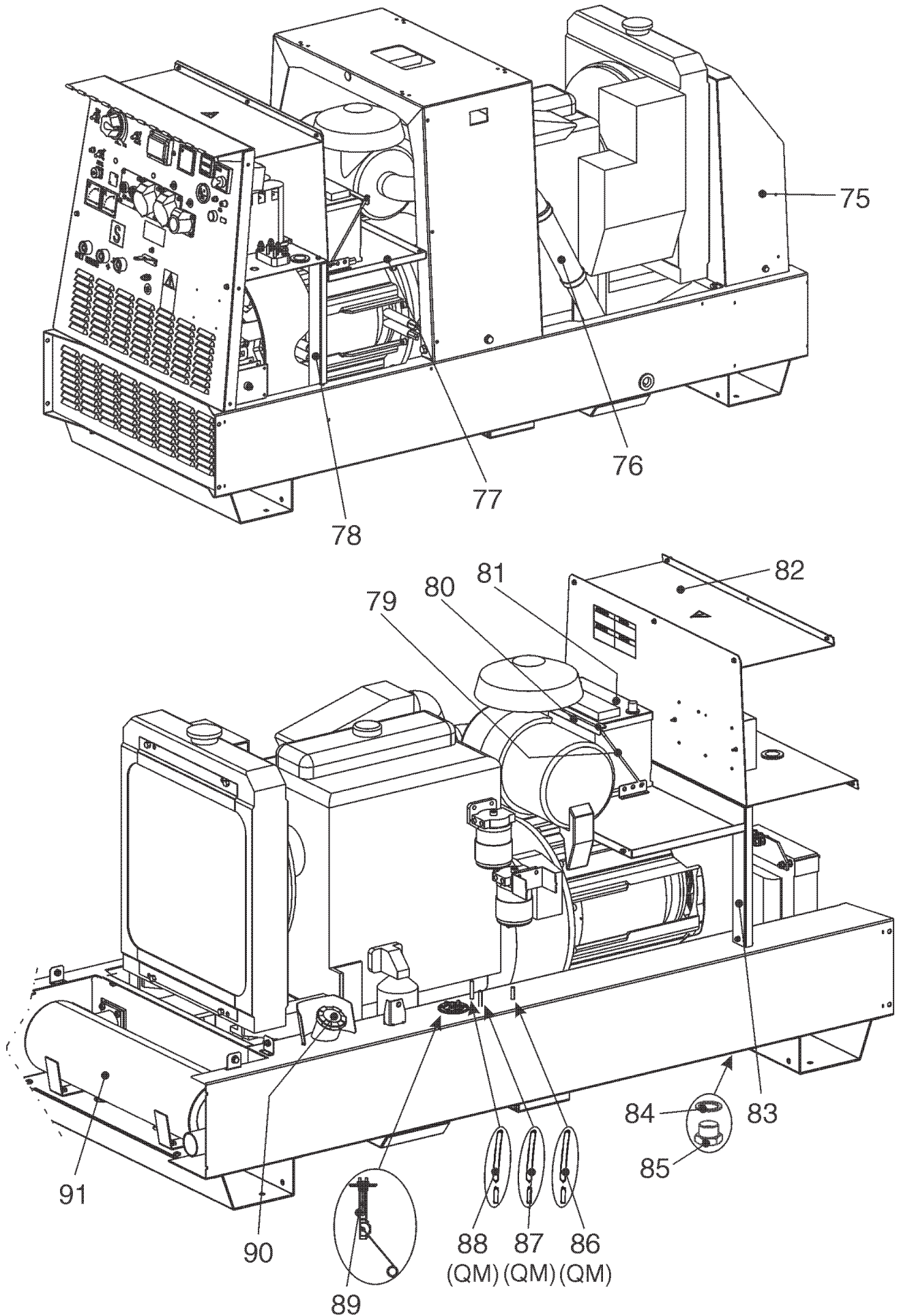
Tavola EF 5			
<i>Pos</i>	<i>Rev Cod</i>	<i>Descr</i>	
1	307806010	CONVOGLIATORE GENERATORE	
2	107301390	ANELLO	
3	765006020	VENTOLA PER GENERATORE	
4	6050050	ANELLO SEEGER	
5	1001050	CUSCINETTO	
6	266103015	CARCASSA CON STATORE	
7	366103030	ALBERO CON ROTORE	
8	765003012	DISCO X ALBERO ROTORE	sp. 1
8 a	765013012	DISCO ALBERO ROTORE	sp. 1.5
9	105612070	ANTIVIBRANTE	ALTERNATORE
10	307803101	TRAVERSA ALTERNATORE	
11	844502200	MOTORE PERKINS 1004G NFE	VERS. MOSA
12	105612060	ANTIVIBRANTE	MOTORE
13	744502212	TUBO SCARICO OLIO	



Tavole Ricambi

Modello EF TS 600 PS e PSX/EL

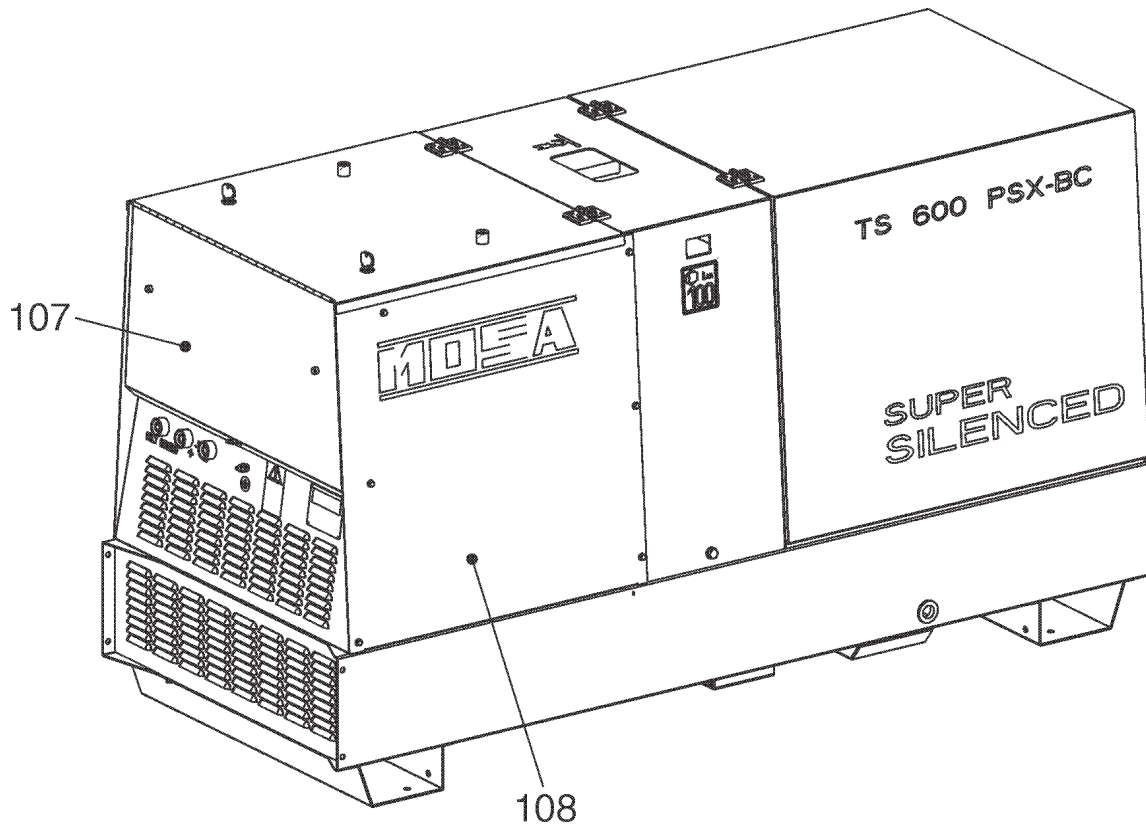
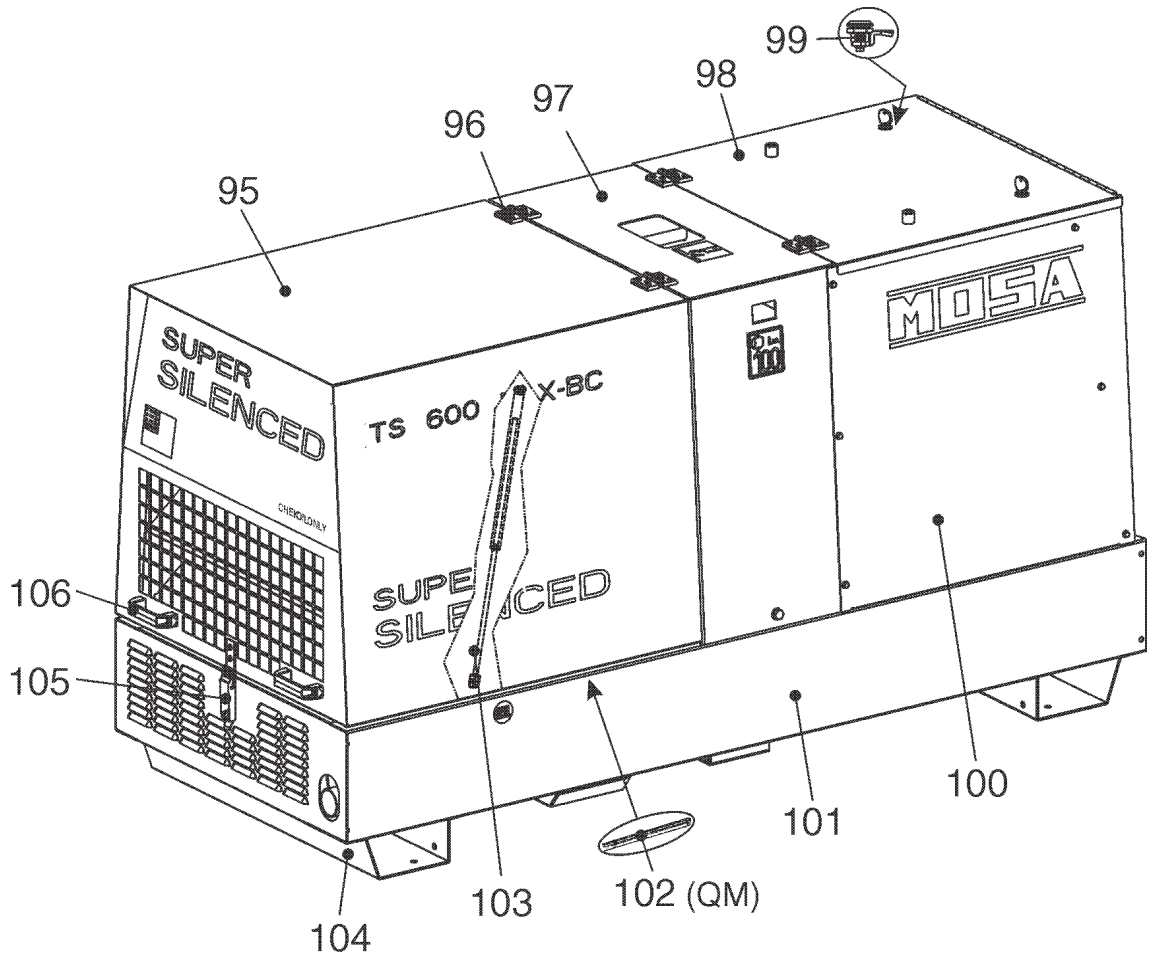
Tavola		EF	6	
Pos	Rev	Cod	Descr	
		0000107509702	<i>Manca la descrizione aggiunt</i>	
18		107517032	COPERCHIO PRESE 48V	vers. 48V
19		101131220	PRESA DINSE	vers. 48V
20		765007111	PRESA DI SALDATURA NERA	
21		765007110	PRESA DI SALDATURA ROSSA	
22		317809910	CONNETTORE	
24		102042740	CAPPUCCIO	
25		102013290	COMMUTATORE	
27		107509702	MANOPOLA REG.CORRENTE SALDAT.	
28		836709701	POTENZIOMETRO	
29		1302080	SPIA PER 48V	
30		765000166	AV1 KIT AMPEROMETRO/VOLTMETRO	OPTIONAL
31		305027105	INTERRUTTORE DIFFERENZIALE	
32		219937036	STAFFA	
33		219937130	COPERCHIO INTERRUT.DIFFERENZ.	
35		305717300	VOLTMETRO	
36		105511810	CONTAORE	
37		744509770	UNITA'CONTROLLO MOTORE	
38		108011240	PULSANTI	
39		325507210	INDICATORE LIVELLO CARBURANTE	
40		873407107	DISGIUNTORE TERMICO 30A/250V	
40	a	155307107	DISGIUNTORE TERMICO	
41		307017240	PRESA 220V 16A	
42		105111520	PRESA CEE 220V MONOFASE	
43		105111510	PRESA CEE 380V TRIFASE	
44		765007020	FRONTALE	
45		307759045	PORTAFUSIBILE	
46		1291250	FUSIBILE	
47		1291030	FUSIBILE 15A 5X20	
48		103011320	PORTA FUSIBILE	
49		1291270	FUSIBILE	
55		766709041	SBARRETTA BOX CONDENSATORI	
56		105319880	BOX CONDENSATORI	
57		105111830	MORSETTIERA	
58		306479199	RELE' AVV. ELETTRICO	
59		209719882	STAFFA BOX CONDENSATORI	
60		766019654	SCATOLA PROTEZ. SCHEDA SALD.	
61		375209800	SCHEDA CONTROLLO SALDATURA	
62		765007010	SCATOLA ELETTRICA	
63		366105300	GRUPPO RADDRIZZATORI	
64		366105091	STAFFA SUPPORTO GR.RADDRIZZ.	
65		765004110	STAFFA SUPPORTO REATTANZA	
66		766044100	REATTORE DI LIVELLO	
67		766704010	RESISTORE DI POTENZA	
68		309015043	RONDELLA	
69		309014013	DISTANZIALE	
70	A	105111530	PRESA CEE 32A 110V	
71	A	307047250	PRESA 110V 16A	



Tavole Ricambi

Modello EF TS 600 PS e PSX/EL

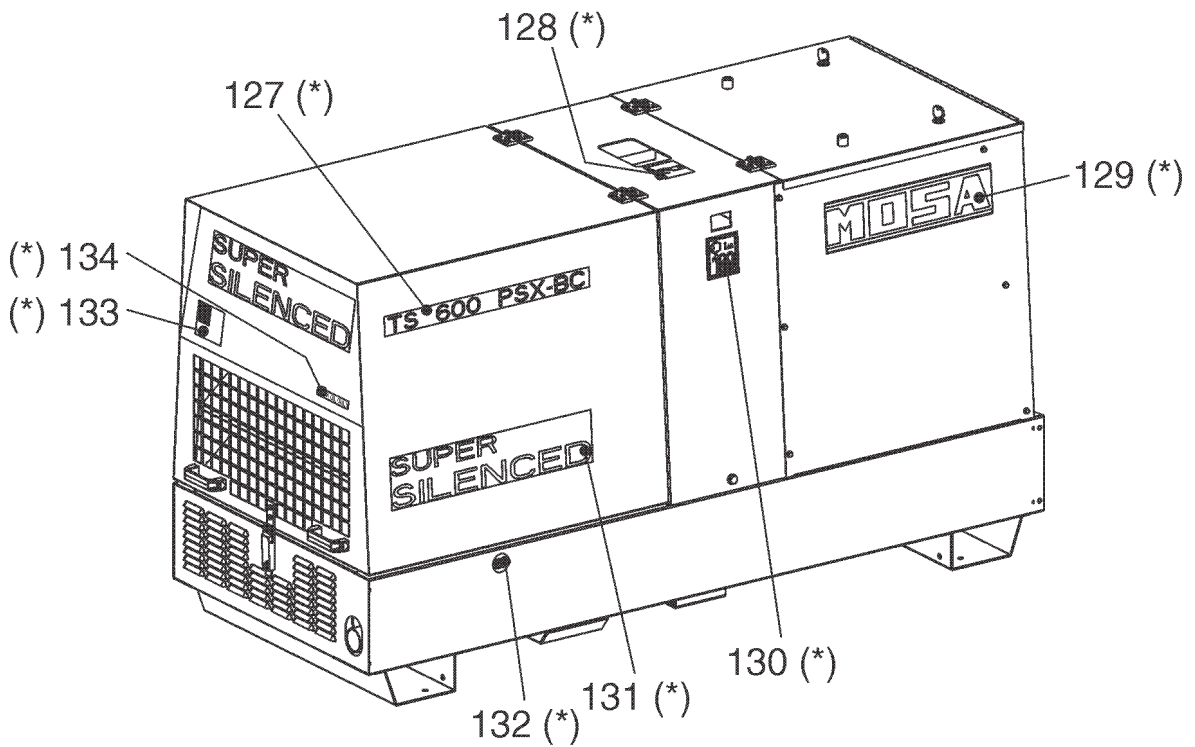
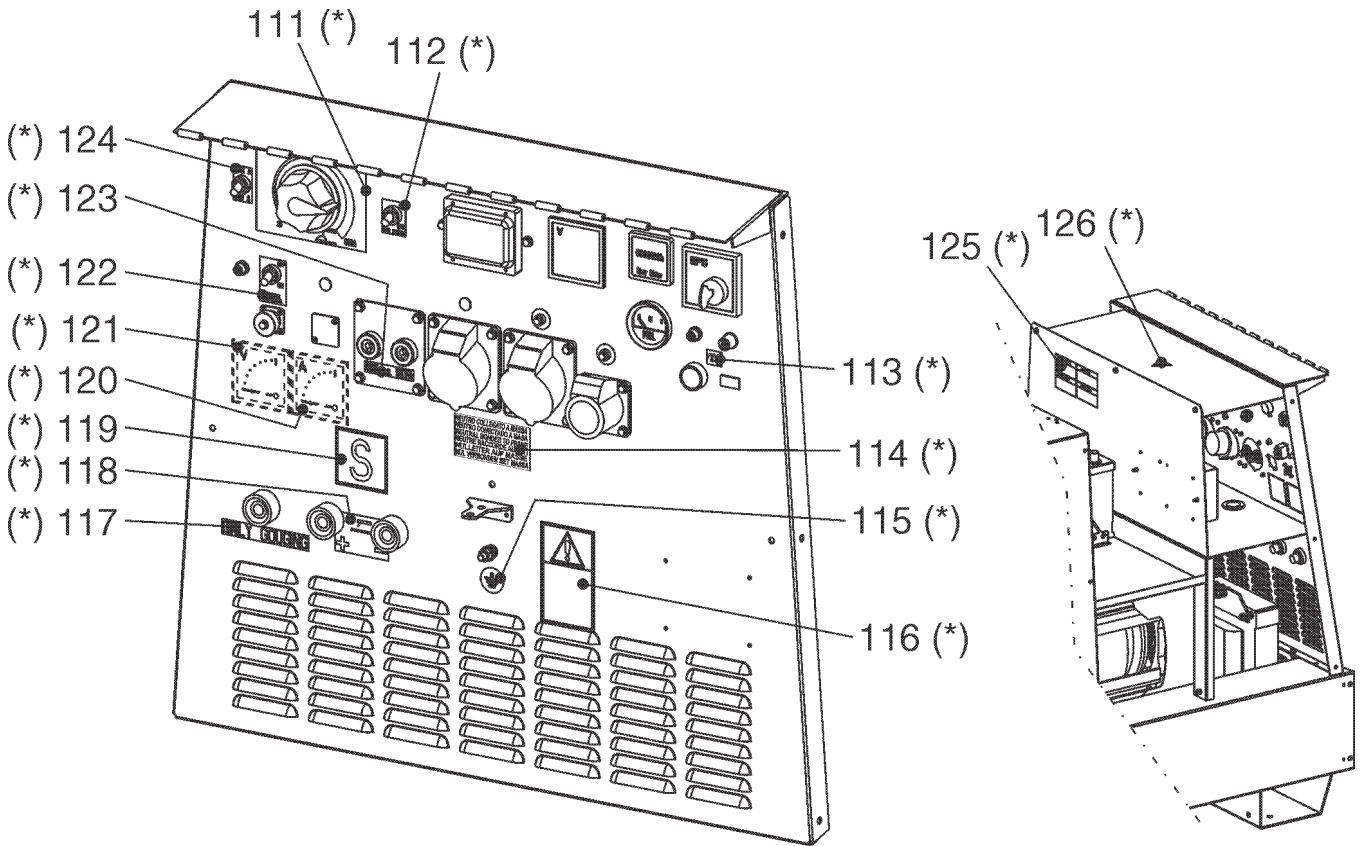
Tavola		EF	7	
Pos	Rev	Cod	Descr	
75		766018065	GRIGLIA USCITA ARIA	
76		766012070	TUBO DI SCARICO	
77		765008222	COPERTURA ALTERNATORE	
78		765008239	TRAVERSA DX PARATIA ALTERN.	
79		105611270	TIRANTE PER BATTERIA	
80		766019152	TRAVERSA FISSAGGIO BATTERIA	
81		105611470	BATTERIA 100 AH	
82		765007015	COPERCHIO SCATOLA ELETTRICA	
83		765008240	TRAVERSA SX PARATIA ALTERN.	
84		308102023	GUARNIZIONE	
85		308101262	TAPPO SCARICO SERBATOIO	
86		107301890	TUBO SFIATO (L=MT.1)	qm
87		308102207	TUBO GOMMA (L=MT.1)	qm
88		6095060	TUBO GOMMA NERA	qm
89		307719975	GALLEGGIANTE LIV.CARB.(FINITO)	
90		342202026	TAPPO SERBATOIO	
91		766012050	SILENZIATORE SCARICO	



Tavole Ricambi

Modello EF TS 600 PS e PSX/EL

Tavola		EF	8
Pos	Rev	Cod	Descr
95		765008035	CARENATURA POSTERIORE
96		744508140	CERNIERA PER FIANCATA
97		766011100	ROLL-BAR
98		765008021	COPERCHIO CARENATURA ANTER.
99		765008112	SERRATURA COPER.SCATOLA ELET.
100		765008004	FIANCATA SX CARENATURA ANTER.
101		766011050	BASAMENTO
102		105112270	GUARNIZIONE (L=MT.1) qm
103		305718115	PISTONE SOSTEGNO
104		765001083	PIEDE APPOGGIO BASAMENTO
105		107300180	CHIUSURA COMPL.A LEVA
106		343339601	MANIGLIA
107		765008100	COPERCHIO FRONTALE
108		765008010	FIANCATA DX CARENATURA ANTER.



Tavole Ricambi

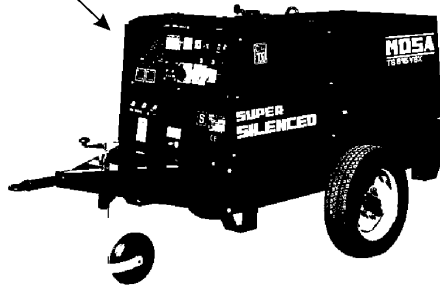
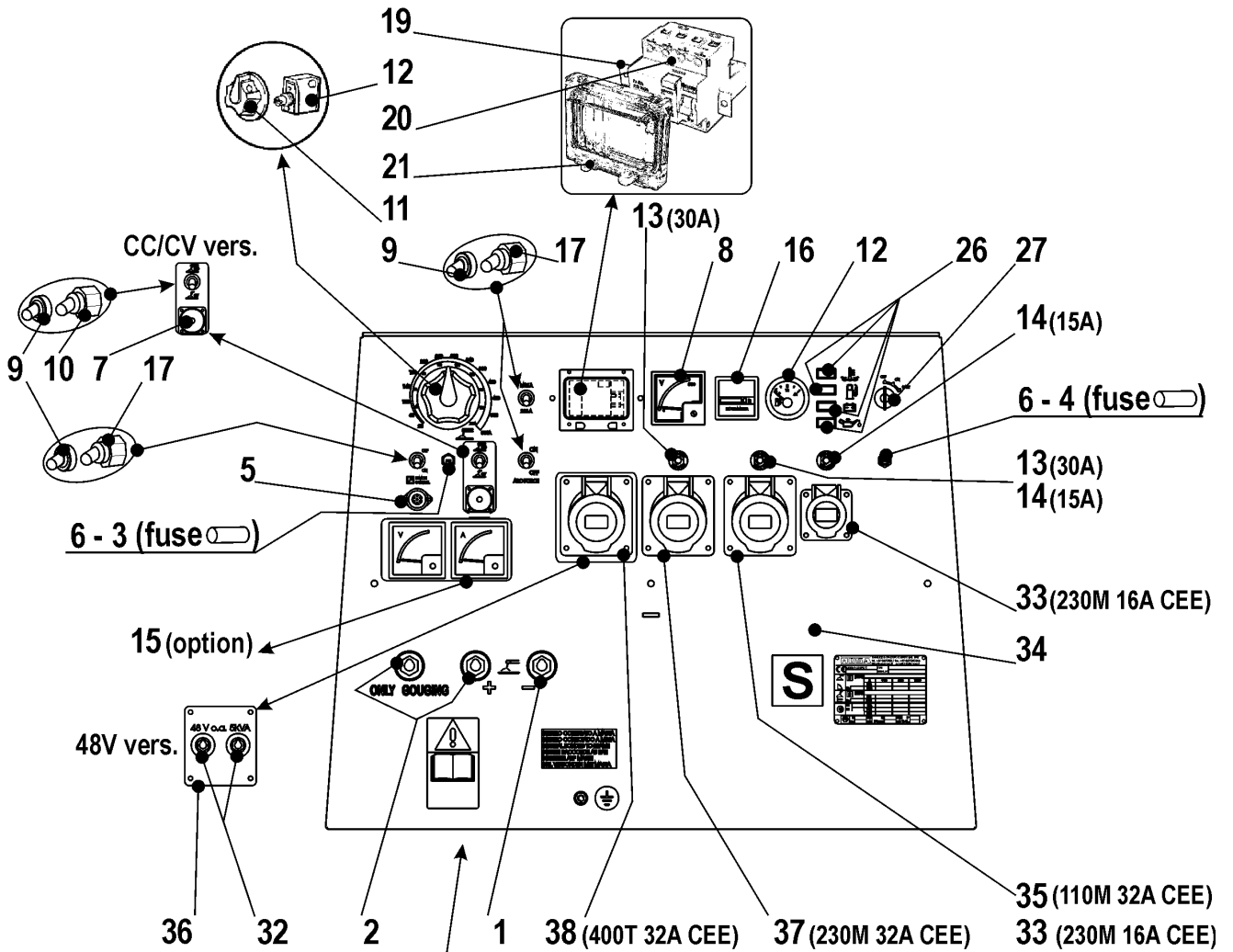
Modello EF TS 600 PS e PSX/EL

Tavola		EF	9
Pos	Rev	Cod	Descr
111		866070181	TARGA AUTOAD.REGOL.CORR.SALD.
112		372800263	TARGA AUTOAD. "ARC FORCE"
113		730950227	TARGA AUTOADESIVA CANDELETTE
114		212020225	DECALC.NEUTRAL BONDED TO FRAME
115		207400207	TARGA AUTOAD. MESSA-TERRA
116		734500253	TARGA ADES. MANUALE ISTRUZIONI
117		364120256	TARGA AUTOAD. "ONLY GOUGING"
118		307800212	TARGA AUTOAD.PRESE SALDATURA
119		866700239	TARGA AUTOAD.SIMBOLO "S"
120		765000270	TARGA AUTOADESIVA AMPEROMETRO
121		765000269	TARGA AUTOADESIVA VOLTMETRO
122		765000192	TARGA AUTOAD. COMANDO A DIST.
123		219700190	TARGA AUTOAD.COP.PORTA PR.48V
124		766700236	TARGA ADES. SELETTORE CORRENTE
125		766010250	TARGA AUT. ATTENZIONE BATT.
126		734500250	TARGA ADES. TENSIONE ELETTRICA
127		866070183	TARGA AUTOAD.IDENTIF.MACCHINA
128		209710202	TARGA AUTOAD.GANCIO SOLLEVAM. IN PVC
129		207600194	DECALCOMANIA "MOSA"
130		305910196	TARGA AUTOADESIVA
131		307800198	TARGA AUTOADESIVA
132		107011150	TARGA CARBURANTE
133		700400250	TARGA AUTOADES. "ATTENZIONE"
134		319860227	TARGA AUTOAD.CONTR.OLIO GIORN.

MOSA

TS 615 VS-VSX BC - CC/CV

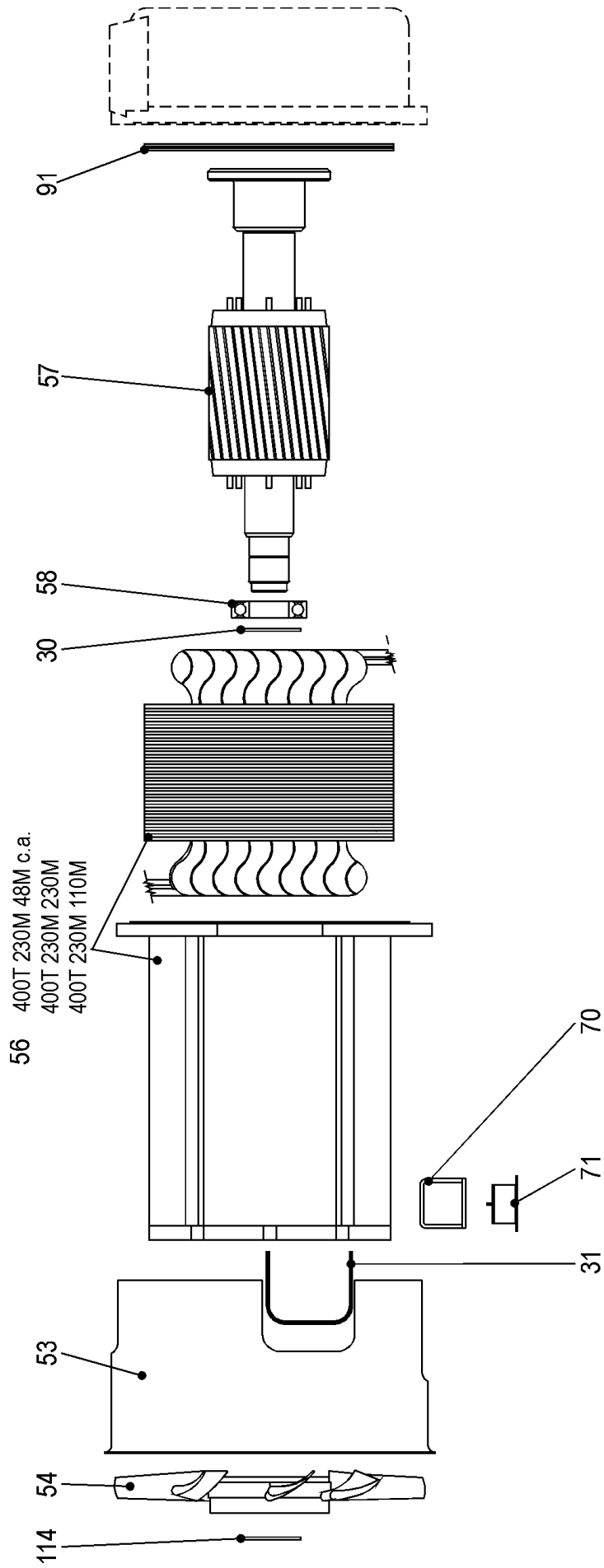




Tavole Ricambi

Modello **EB** TS-DSP 615 VS E VSX/EL

Tavola		EB	9	
Pos	Rev	Cod	Descr	
		0000107509715	GRUPPO POTENZIOMETRO	
1		765007110	PRESA DI SALDATURA ROSSA	
2		765007111	PRESA DI SALDATURA NERA	
3		1291250	FUSIBILE	
4		1291120	FUSIBILE	
5		107509903	PRESA	
6		307759045	PORTAFUSIBILE	
7		317809910	CONNETTORE	SR
8		305717300	VOLTMETRO	
9		102042740	CAPPUCCIO	
10		307809902	DEVIATORE	SR
11		107509702	MANOPOLA REG.CORRENTE SALDAT.	
12		836709701	POTENZIOMETRO	
13		873407107	DISGIUNTORE TERMICO 30A/250V	
14		155307107	DISGIUNTORE TERMICO	
15		765000166	AV1 KIT AMPEROMETRO/VOLTMETRO	SR
16		105511810	CONTAORE	
17		102013290	COMMUTATORE	
19		219937036	STAFFA	
20		305027105	INTERRUTTORE DIFFERENZIALE	
21		219937130	COPERCHIO INTERRUT.DIFFERENZ.	
26		1302040	SPIA 12V	
27		107302460	STARTER A CHIAVE	
32		101131220	PRESA DINSE	vers. 48V
33		307017240	PRESA 220V 16A	
34		366107020	PANNELLO FRONTALE	
35		105111530	PRESA CEE 32A 110V	monofase
36		107517032	COPERCHIO PRESE 48V	
37		105111520	PRESA CEE 220V MONOFASE	monofase
38		105111510	PRESA CEE 380V TRIFASE	trifase

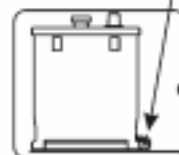
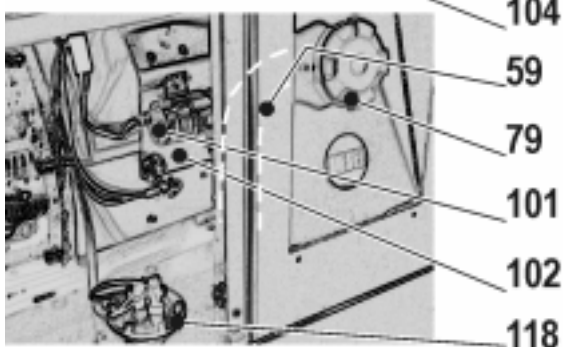
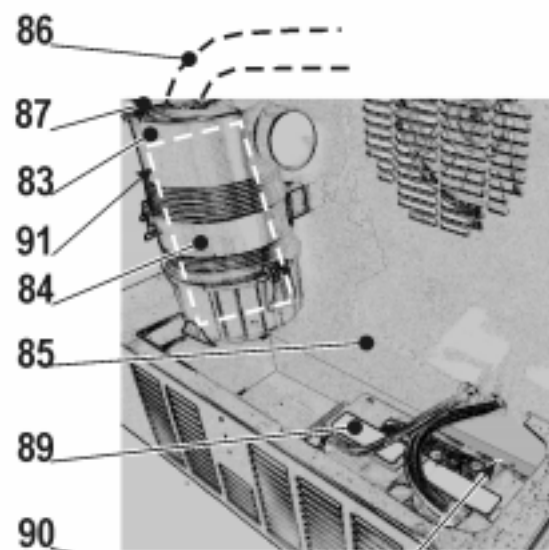
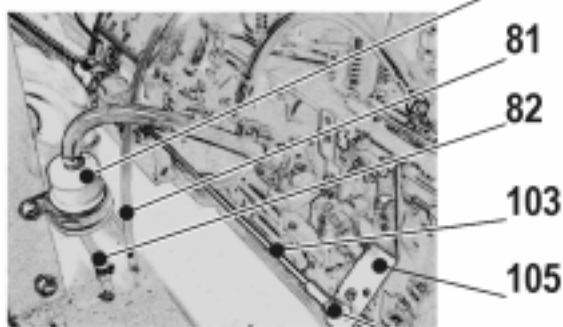
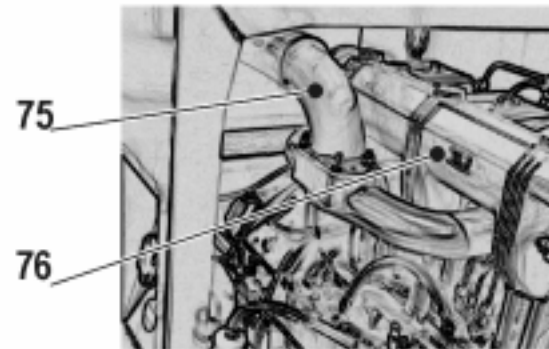
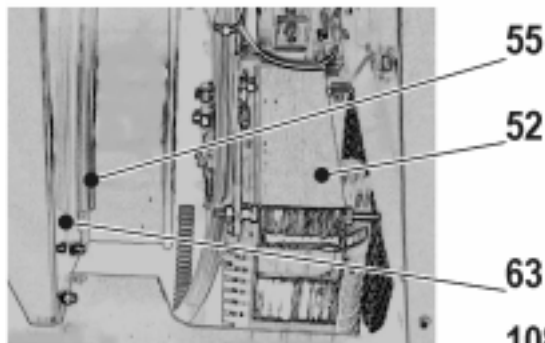
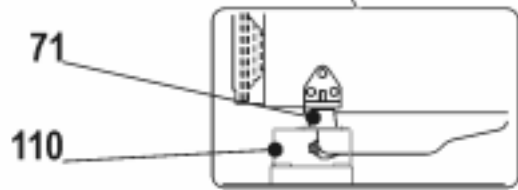
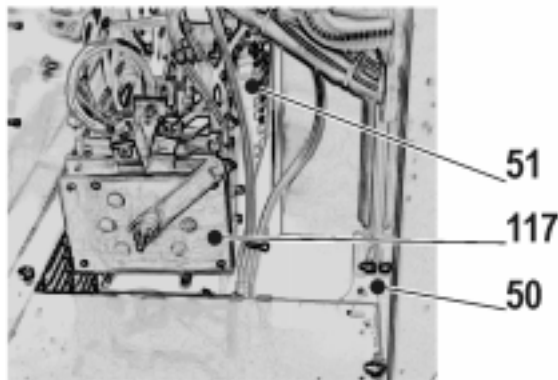
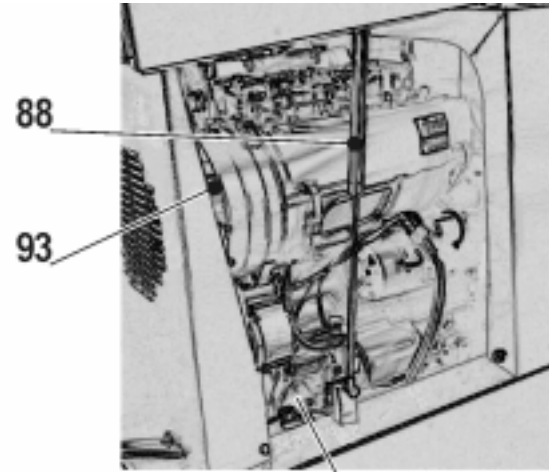
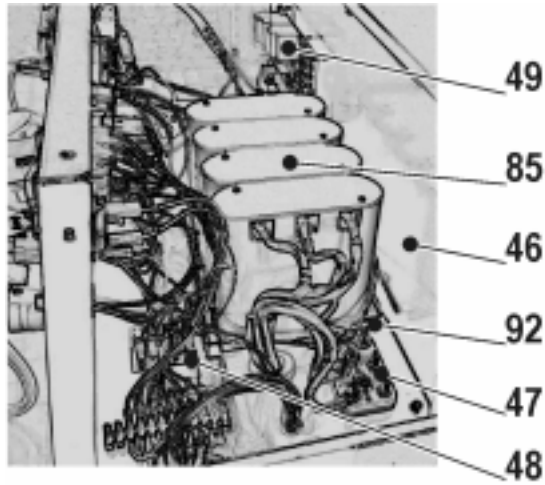


Tavole Ricambi

Modello **EB** **TS-DSP 615 VS E VSX/EL**

Tavola **EB** **10**

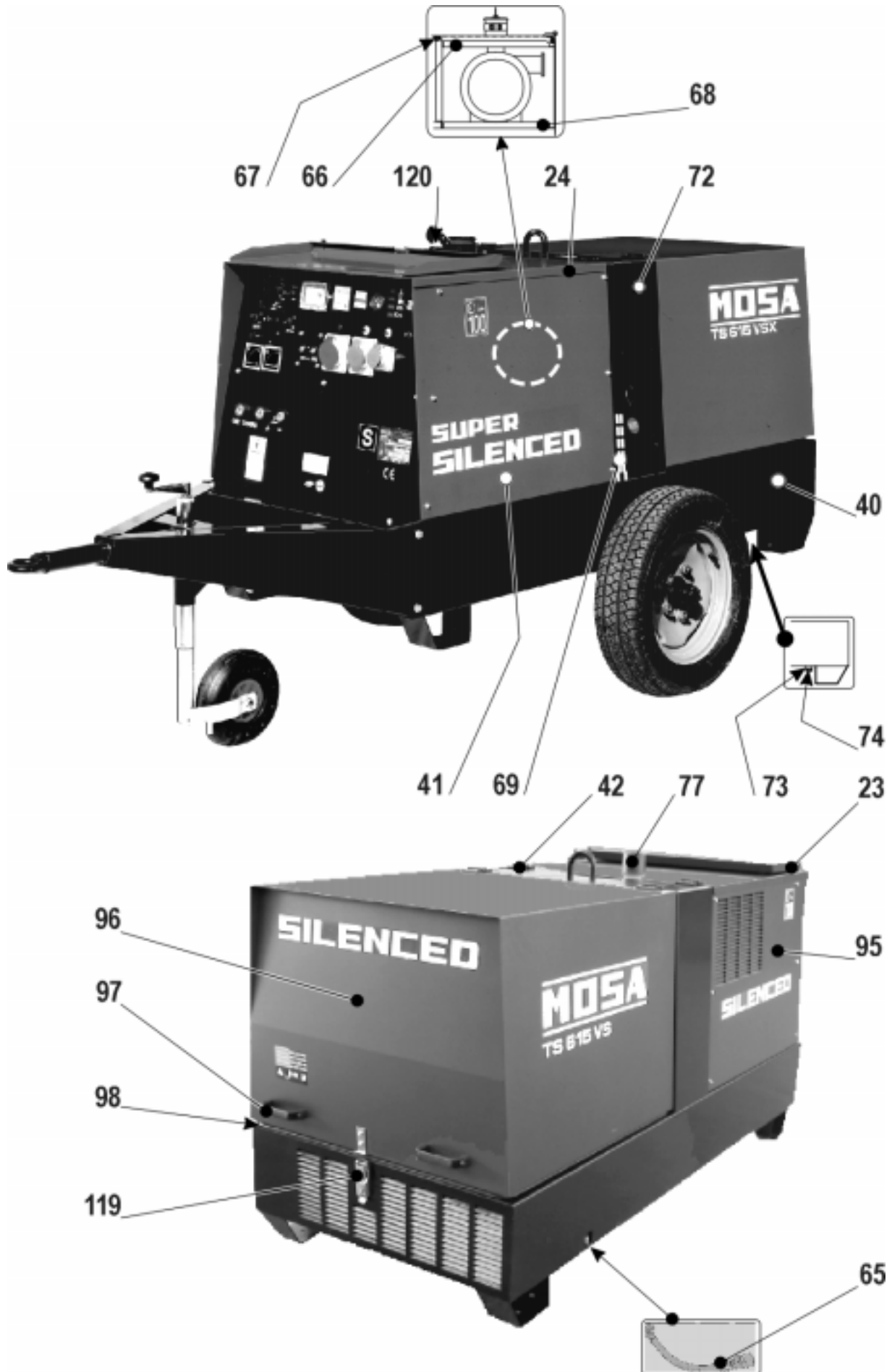
<i>Pos</i>	<i>Rev</i>	<i>Cod</i>	<i>Descr</i>
30		6050050	ANELLO SEEGER
31		107509005	GUARNIZIONE
53		307806010	CONVOGLIATORE GENERATORE
54		107601470	VENTOLA COMPLETA
56		366103020	STATORE
57		366103030	ALBERO CON ROTORE
58		1001050	CUSCINETTO
70		307803101	TRAVERSA ALTERNATORE
71		105612070	ANTIVIBRANTE
91		765003012	DISCO X ALBERO ROTORE
114		107301390	ANELLO



Tavole Ricambi

Modello **EB** TS-DSP 615 VS E VSX/EL

Tavola		EB	11	
Pos	Rev	Cod	Descr	
		0000219869055	SOLENOIDE ARRESTO MOTORE	
46		343337010	SCATOLA ELETTRICA	
47		105111830	MORSETTIERA	
48		209719850	SCHEDA EV/ES	
49		375209800	SCHEDA CONTROLLO SALDATURA	
50		366108218	PARATIA INFERIORE ALTERNATORE	
51		766704010	RESISTORE DI POTENZA	
52	a	364124100	REATTORE DI LIVELLO	
55		102302280	GUARNIZIONE (L=MT.1)	QM
59		6095030	TUBO GOMMA	QM
63		366108217	PARATIA SUPERIORE ALTERNATORE	
71		105612070	ANTIVIBRANTE	
75		343332070	TUBO DI SCARICO	
76		343332200	MOTORE VM SUN3105	vers. MOSA
81		307402208	TUBO IN GOMMA (L=MT.1)	QM
82		308102207	TUBO GOMMA (L=MT.1)	QM
83		342802130	FILTRO ARIA COMPLETO	
84		342802125	FASCETTA	
85		105319880	BOX CONDENSATORI	
86		1229870	TUBO FLESSIBILE (MT.1)	QM
87		325462131	INDICAT.INTASAMENTO F.ARIA	
88		305718115	PISTONE SOSTEGNO	
89		105611470	BATTERIA 100 AH	
90		107301770	STAFFA	
91	a	342802132	ELEMENTO FILTRANTE	
92		209719882	STAFFA BOX CONDENSATORI	
93		343332040	CONVOGLIATORE ARIA MOTORE	
101		219869055	ELETTROMAGNETE ARRESTO MOTORE	
102		305779101	STAFFA	
103		305689056	TIRANTE COMANDO ELETTROMAGNETE	
104		105631146	TESTINA SNODATA	
105		305772219	LEVA COMANDO GAS	
108		256602228	FILTRO GASOLIO	
108		342209058	TIRANTE SNODATO	
110		343332035	STAFFA SUPPORTO MOTORE	
117		366105300	GRUPPO RADDRIZZATORI	
118		307719975	GALLEGGIANTE LIV.CARB.(FINITO)	



Tavole Ricambi

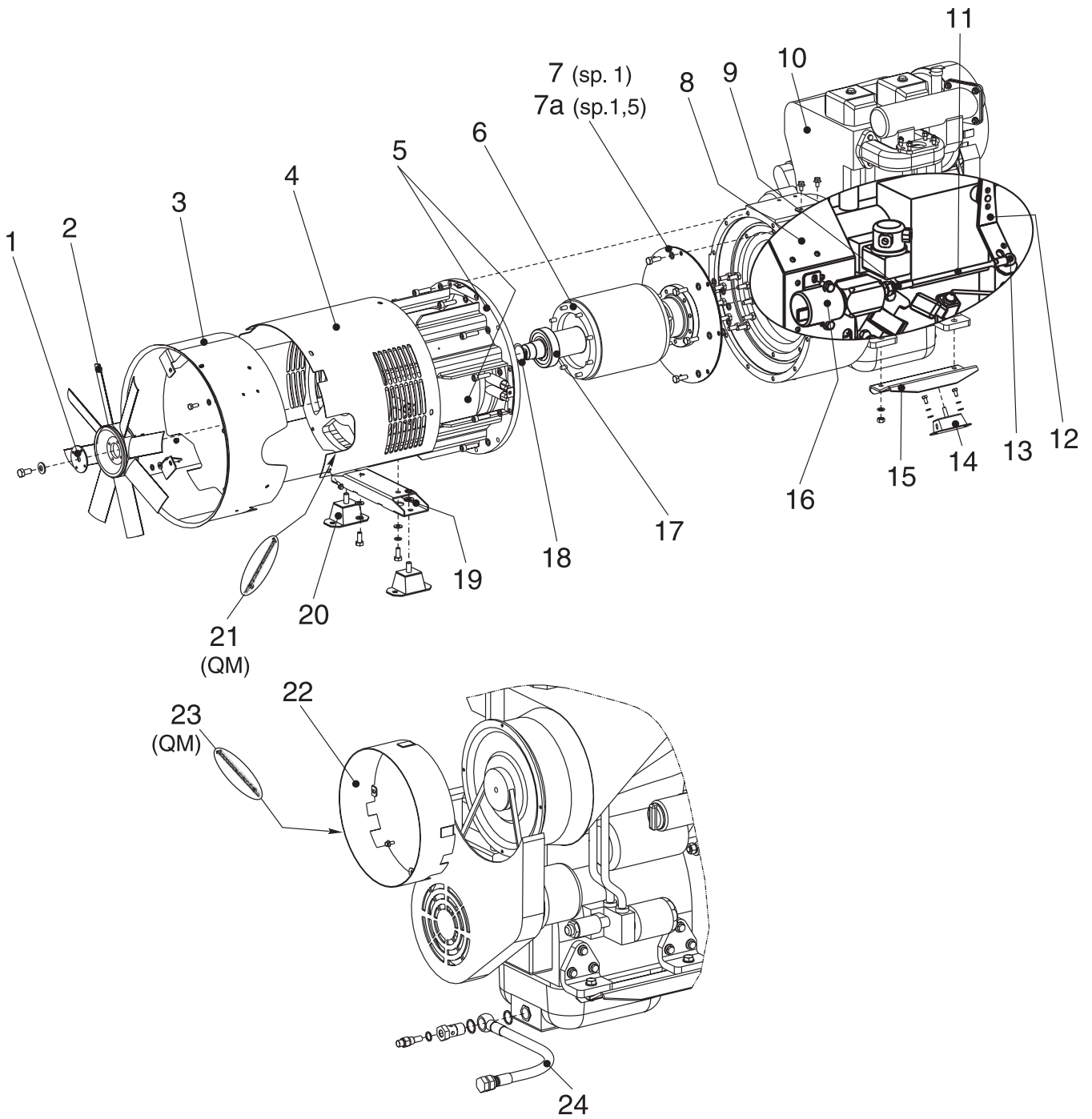
Modello **EB** TS-DSP 615 VS E VSX/EL

Tavola		EB	12	
Pos	Rev	Cod	Descr	
23		343338100	COPERCHIO FRONTALE	
24		343338021	COPERCHIO CARENATURA ANTERIORE	
40		343331050	BASAMENTO	
41		343338010	FIANCATA CARENATURA	
42		744508140	CERNIERA PER FIANCATA	
65		343332212	TUBO SCARICO OLIO	
66		343338123	COPERCHIO CAMERA SILEN.SCARICO	
67		102302280	GUARNIZIONE (L=MT.1)	
68		343338225	PARATIA CAMERA SILENZ.SCARICO	
69		107301890	TUBO SFIATO (L=MT.1)	QM
72		343331100	ROLL-BAR	
73		308102023	GUARNIZIONE	
74		308101262	TAPPO SCARICO SERBATOIO	
77		343332050	SILENZIATORE DI SCARICO	
95		343338015	FIANCATA CARENATURA	
96		343338035	CARENATURA POSTERIORE	
97		343339601	MANIGLIA	
98		105112270	GUARNIZIONE (L=MT.1)	QM
119		107300180	CHIUSURA COMPL.A LEVA	
120		840952053	COPERCHIETTO PARAPIOGGIA	

MOSA

DSP 415 VS - VSX

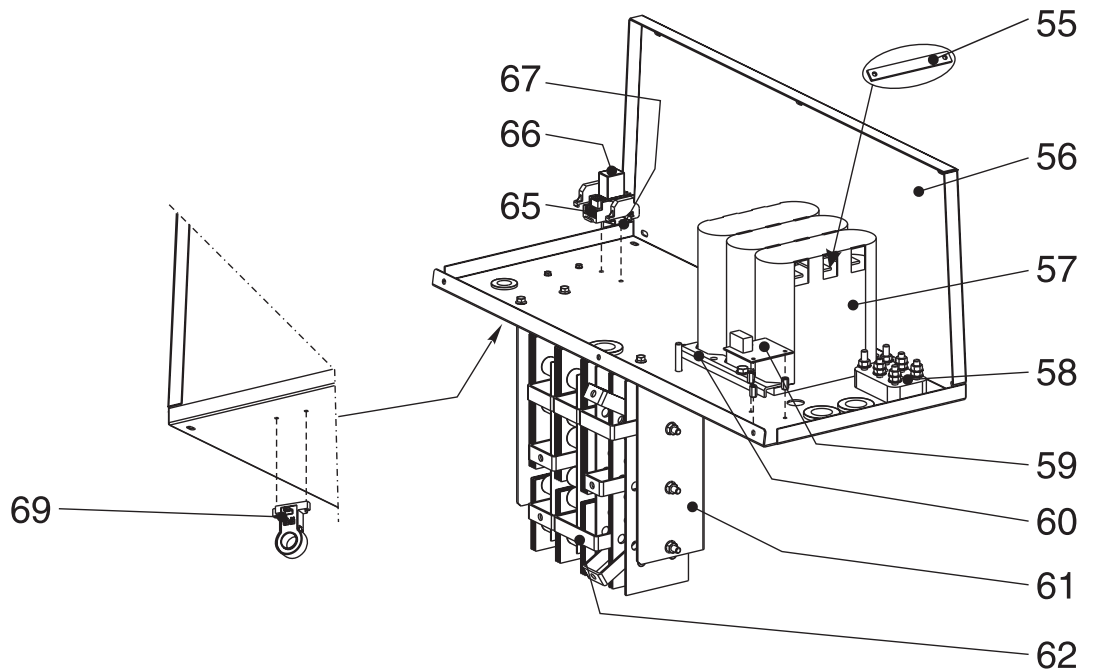
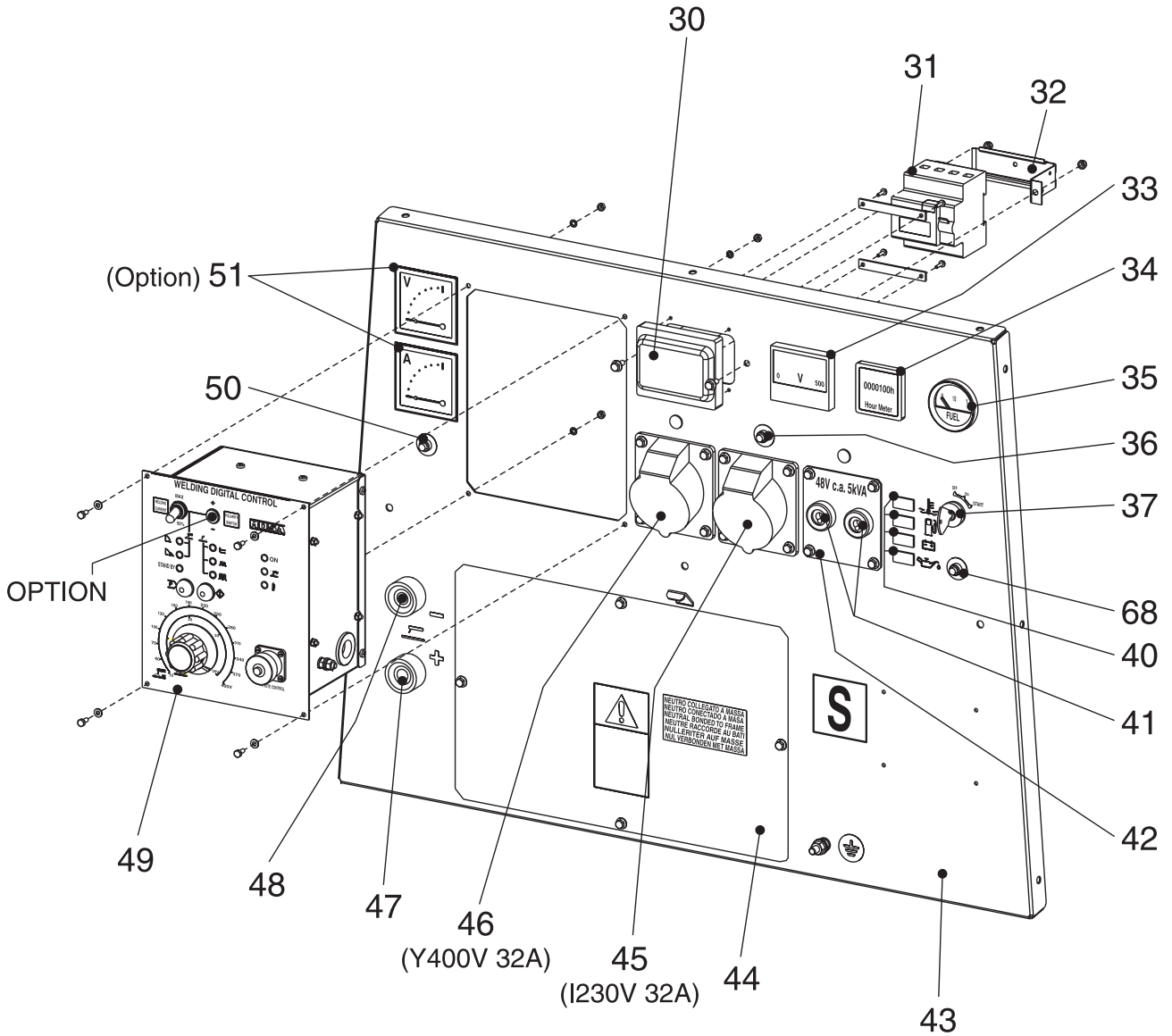




Tavole Ricambi

Modello EA TS-DSP 415 VS E VSX/EL

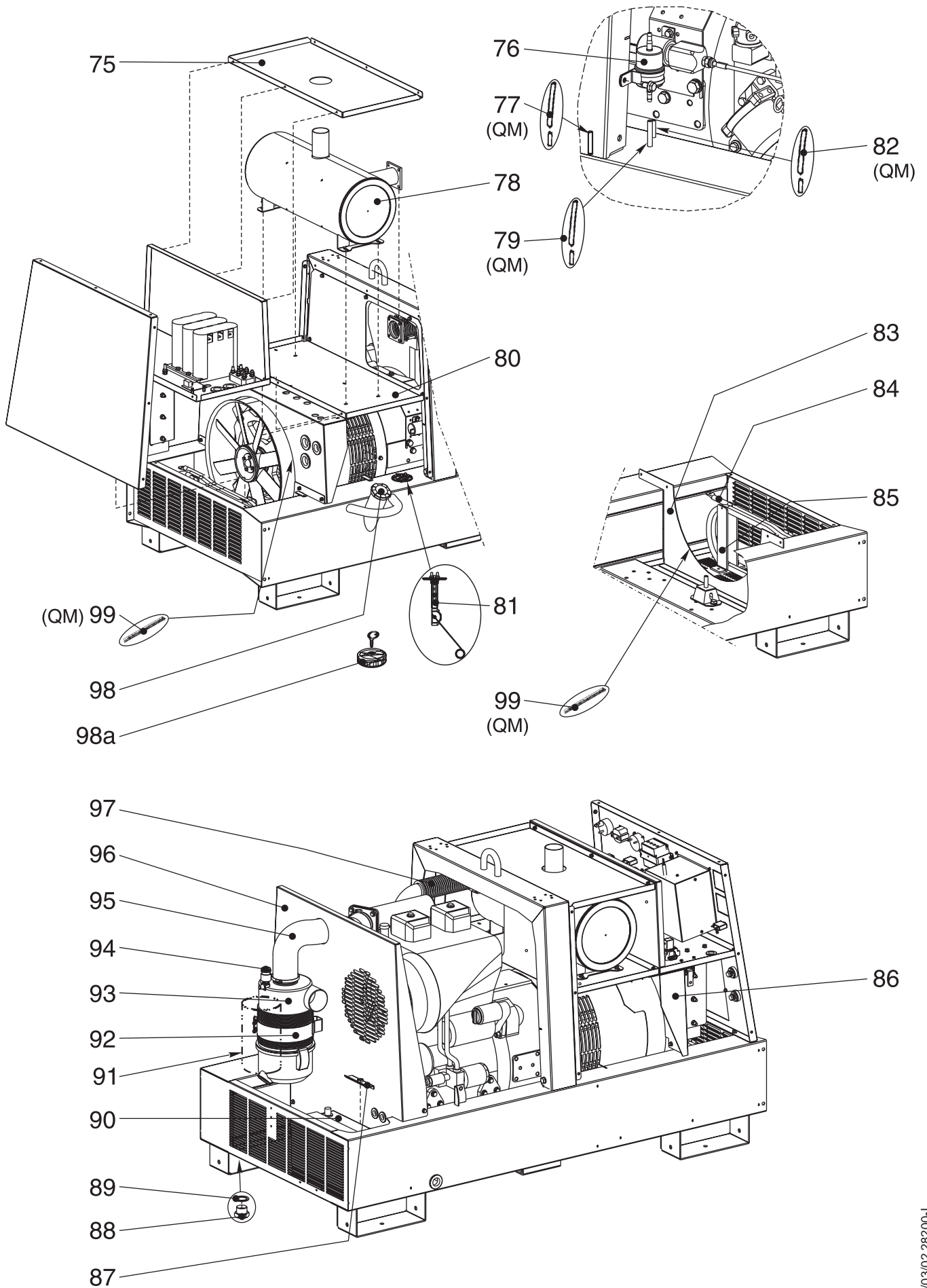
Tavola		EA	7	
Pos	Rev	Cod	Descr	
1		107301390	ANELLO	
2		107601470	VENTOLA COMPLETA	
3		307806010	CONVOGLIATORE GENERATORE	
4		282008222	COPERTURA ALTERNATORE	
5		282003015	CARCASSA CON STATORE (RICAMBI)	Carcassa con statore (ricambi)
6		282003030	ALBERO ROTORE (COMPL.)	
7		765003012	DISCO X ALBERO ROTORE	sp. 1
7 a		765013012	DISCO ALBERO ROTORE	sp. 1,5
8		305779101	STAFFA	
9		342209058	TIRANTE SNODATO	
10		282002200	MOTORE VM SUN2105 (14A)	
11		342209056	TIRANTE COMANDO ELETTROMAGNETE	
12		305772219	LEVA COMANDO GAS	
13		105631146	TESTINA SNODATA	
14		105612060	ANTIVIBRANTE	
15		307802224	PIASTRA SUPPORTO MOTORE	
16		219869055	ELETTROMAGNETE ARRESTO MOTORE	
17		1001050	CUSCINETTO	
18		6050050	ANELLO SEEGER	
19		307803101	TRAVERSA ALTERNATORE	
20		105612070	ANTIVIBRANTE	
21		107509005	GUARNIZIONE	(qm) 290
22		343332040	CONVOGLIATORE ARIA MOTORE	
23		102302280	GUARNIZIONE (L=MT.1)	(qm) 850
24		343332212	TUBO SCARICO OLIO	



Tavole Ricambi

Modello EA TS-DSP 415 VS E VSX/EL

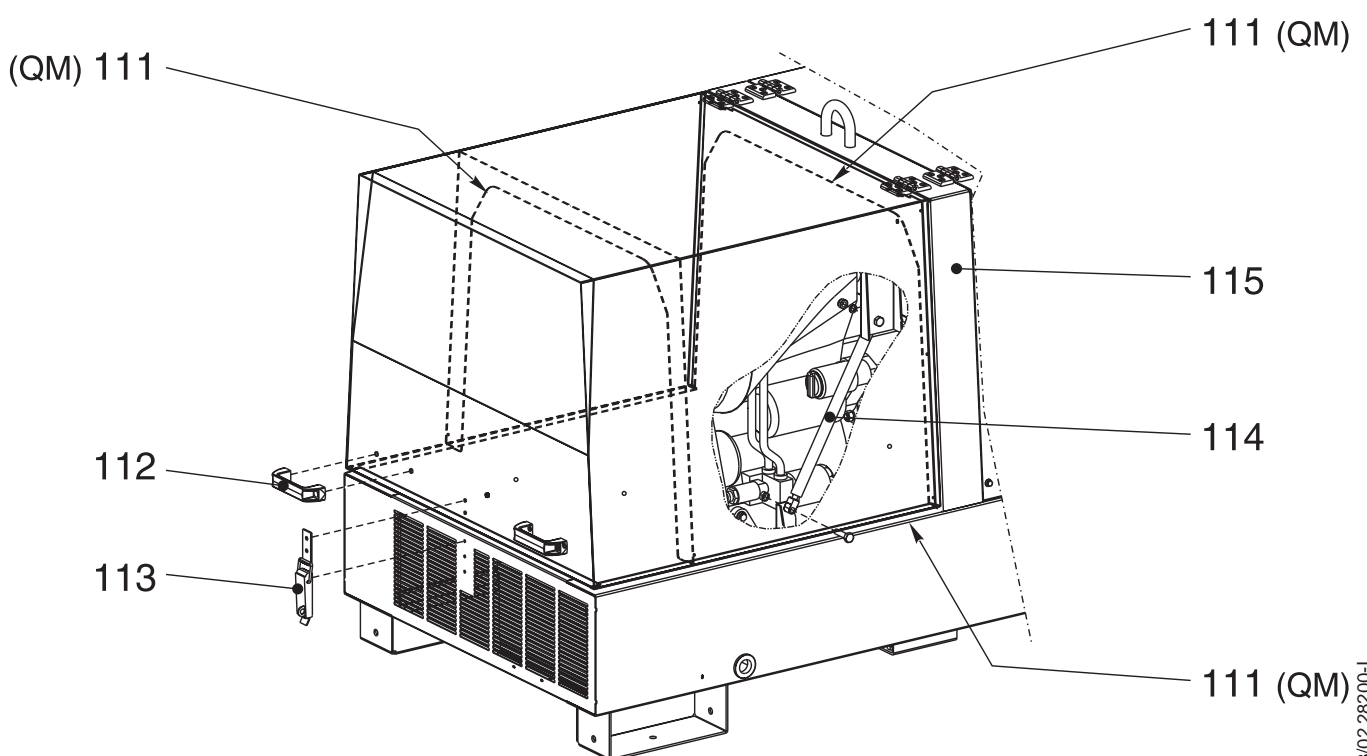
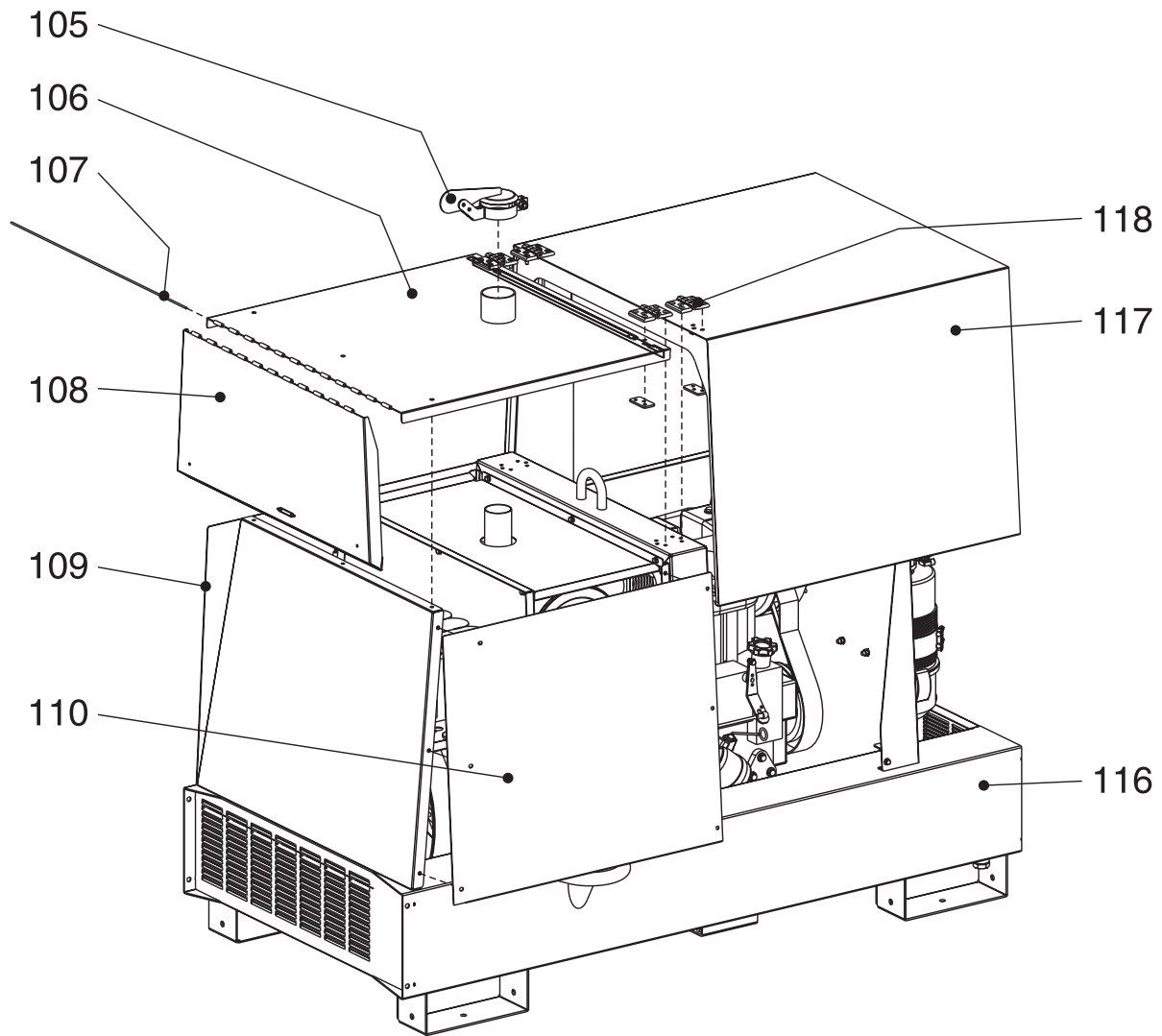
Tavola		EA	8	
Pos	Rev	Cod	Descr	
30		219937130	COPERCHIO INTERRU.T.DIFFERENZ.	
31		105111540	Vedi Cod.219937105	
32		219937036	STAFFA	
33		105111550	VOLTMETRO FS 500V	
34		105511810	CONTAORE	
35		325507210	INDICATORE LIVELLO CARBURANTE	
36		873407107	DISGIUNTORE TERMICO 30A/250V	
37		107302460	STARTER A CHIAVE	
40		1302040	SPIA 12V	
41		101131220	PRESA DINSE	
42		107517032	COPERCHIO PRESE 48V	
43		282007020	PANNELLO FRONTALE	
44		282008125	COPERCHIO ISPEZ. PONTE DIODI	
45		105111520	PRESA CEE 220V MONOFASE	
46		105111510	PRESA CEE 380V TRIFASE	
47		102301310	PRESA DI SALDATURA (+)	
48		102044400	PRESA DI SALDATURA (-)	
49		282000556	SCATOLA CONTROLLO SALDAT.(WDC)	
50		306467109	PROTEZIONE TERMICA (C.B.)	
51		282000166	AV2 KIT AMPEROM/VOLTM.DI SALD.	OPTIONAL
55		765009041	SBARRETTA BOX CONDENSATORI	
56		282007010	SCATOLA ELETTRICA	
57		866709880	BOX CONDENSATORI 3x60MF	
58		105111830	MORSETTIERA	
59		209719850	SCHEDA EV/ES	
60		765009882	STAFFA FISSAGGIO BOX CONDENS.	
61		282005091	STAFFA SUPPORTO CHOPPER	
62		282005400	PONTE CHOPPER SC.CH380.01(SCOMES)	
63		282005106	BARRETTA PER SENSORE DI HALL	
65		765039748	ZOCOLO PER RELE'	
66		765039747	RELE "48V"	
67		306417036	GUIDA FISSAGGIO INTERRUETTORE	
68	A	352007109	PROTEZIONE TERMICA 5A	sost. pos.38 e 39 cod.1291120 e 307759045
69	A	'000089400A903	Manca la descrizione aggiunt	Sensore di hall (variante) sost. pos. 64 cod.000028200A903



Tavole Ricambi

Modello EA TS-DSP 415 VS E VSX/EL

Tavola		EA	9	
Pos	Rev	Cod	Descr	
75		282008123	COPERCHIO CAMERA SILEN.SCARICO	
76		256602228	FILTRO GASOLIO	
77		107301890	TUBO SFIATO (L=MT.1)	(QM) 300
78		343332050	SILENZIATORE DI SCARICO	
79		308102207	TUBO GOMMA (L=MT.1)	(QM) 100
80		282008225	PARATIA CAMERA SILENZ. SCARICO	
81		307719975	GALLEGGIANTE LIV.CARB.(FINITO)	
82		307402208	TUBO IN GOMMA (L=MT.1)	(QM) 600
83		366108218	PARATIA INFERIORE ALTERNATORE	
84		282004100	REATTORE DI LIVELLO	
85		282004110	STAFFA SUPPORTO REATTORE	
86		366108217	PARATIA SUPERIORE ALTERNATORE	
87		107301770	STAFFA	
88		308101262	TAPPO SCARICO SERBATOIO	
89		308102023	GUARNIZIONE	
90		105611470	BATTERIA 100 AH	
91		342802132	ELEMENTO FILTRANTE	
92		342802125	FASCETTA	
93		342802130	FILTRO ARIA COMPLETO	
94		325462131	INDICAT.INTASAMENTO F.ARIA	
95		1229870	TUBO FLESSIBILE (MT.1)	
96		343338221	PARATIA ASPIRAZIONE MOTORE	
97		282002070	TUBO SCARICO	
98		342202026	TAPPO SERBATOIO	
98	a	317802026	TAPPO SERBATOIO CON CHIAVE	(SR)
99		102302280	GUARNIZIONE (L=MT.1)	(QM) 752 paratia inf. 760 paratia sup.



Tavole Ricambi

Modello EA TS-DSP 415 VS E VSX/EL

Tavola		EA	10
Pos	Rev	Cod	Descr
105		840952053	COPERCHIETTO PARAPIOGGIA
106		282008021	COPERCHIO CARENATURA ANTERIORE
107		343338270	PERNO PER CERNIERA
108		343338100	COPERCHIO FRONTALE
109		282008015	FIANCATA(SX) CARENATURA ANTER.
110		282008010	FIANCATA(DX) CARENAT.ANTERIORE
111		105112270	GUARNIZIONE (L=MT.1) (QM)
112		343339601	MANIGLIA
113		107300180	CHIUSURA COMPL.A LEVA
114		305718115	PISTONE SOSTEGNO
115		282001100	ROLL-BAR (COMPLETO)
116		282001050	BASAMENTO
117		343338035	CARENATURA POSTERIORE
118		744508140	CERNIERA PER FIANCATA