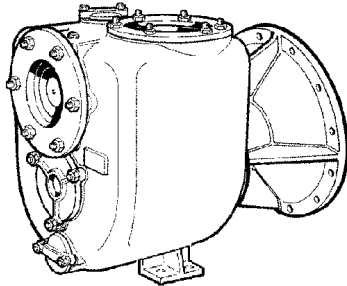
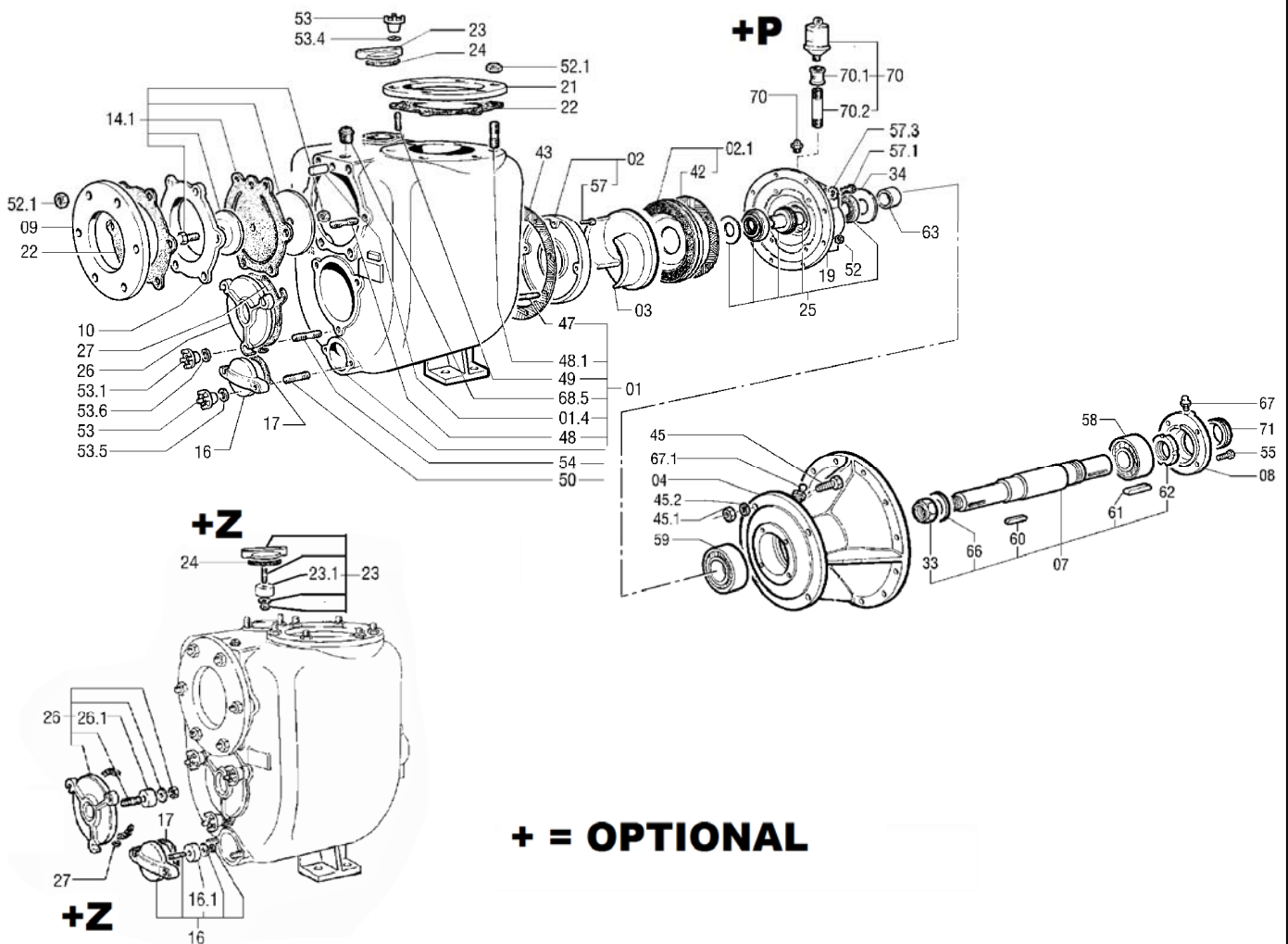


DISTINTA DELLE PARTI COSTITUENTI LE POMPE CENTRIFUGHE AUTOADESCANTI SERIE " J "

SPARE PARTS LIST FOR " J " SERIES SELF-PRIMING PUMPS



JP 6-250 G10 F SAE4 V10"	Code 1002 1258
JP 6-250 Q10 F SAE4 V10"	Code 1005 0603
JP 6-250 K10 F SAE4 V10"	Code 1005 0604
JP 6-250 P10 F SAE4 V10"	Code 1005 0605
JP 6-250 F10 F SAE4 V10"	Code 1005 0346
JP 6-250 A10 F SAE4 V10"	Code 1005 0606
JP 6-250 C10 F SAE4 V10"	Code 1005 2025
JP 6-250 L10 F SAE4 V10"	Code 1005 2881



Rif. N°. Pos. Nr.	Quant.	Denominazione	Part name	Den. Comm. Type	Mat. *	Codice Nuovo New Part. No.	JP 6-250 G10 F SAE4 V10"	JP 6-250 Q10 F SAE4 V10"	JP 6-250 K10 F SAE4 V10"	JP 6-250 P10 F SAE4 V10"	JP 6-250 F10 F SAE4 V10"	JP 6-250 A10 F SAE4 V10"	JP 6-250 C10 F SAE4 V10"	JP 6-250 L10 F SAE4 V10"			
01	1	Corpo (1)	Casing (1)		G	1002 3930	○			○							
					G	1004 5063		○			○						
					A	1004 4643							○				
					K	1002 3932						○					
					G+N2	1005 3155										○	
					G	1005 3157							○				
01.4	1	Spina	Spring pin	UNI 6873 5 x 10	S	1000 1775	○	○	○	○	○	○	○	○			
02	1	Piatto d'usura (2)	Wear plate (2)		GN	1000 8429	○										
					G	1000 8433					○						
					B	1000 8405		○									
					AN	1004 4646								○			
					K	1001 7998							○				
					GC	1005 3159										○	
					G+N1	1005 3158							○				
02.1	1	Piatto d'usura (3)	Wear plate (3)		GN	1002 3925	○										
					B	1002 3927		○									
					G	1002 3926					○				○		
					A	1004 4647								○			
					K	1002 3928						○		○			
					G+N1	1005 3160											○
03	1	Girante	Impeller		GS	1000 5458	○				○						
					B	1000 5447		○									
					A	1000 5442								○			
					G+N4	1005 1636									○	○	
					K	1000 5428						○		○			
04	1	Campana	Coupling flange		G	1002 1255	○	○	○	○	○	○	○	○			
07	1	Albero (4)	Shaft (4)		S3	1002 1256	○			○		○	○	○			
					K5	1005 0347		○	○		○		○		○		
08	1	Copricuscinetto	Bearing cover		G	1000 4775	○	○	○	○	○	○	○	○			
09	1	Flangia aspirazione	Suction flange	DN 150 D.I. 1882	S	1000 1499	○	○		○	○	○	○	○			
					K	1002 1144				○							
							+F	+F		+F	+F	+F	+F	+F			
10	1	Portavalvola	Suction flange		G	1000 6431	○				○	○	○	○			
					OTS	1000 6402		○									
					K	1000 6452				○							
14.1	1	Valvola completa	Check valve ass.		NG	1000 9026	○						○	○			
					VK	1000 9036		○	○		○	○					
16	1	Portina	Cover		G	1000 6474	○				○	○		○			
					GZ	1000 8503	+Z	○		+Z				+Z	+Z		
					A	100 6459							○				
					K	1000 6503				○							
17 (**)	1	Guarnizione	Gasket	72 x 95 x 3													
19	1	Portamotore	Head		G	1002 1216	○	○			○	○		○			
					A	1002 6873							○				
					K	1002 1332					○						
21	1	Flangia mandata	Discharge flange	DN 150 D.I. 1882	S	1000 1481	○	○			○	○	○	○			
					K	1000 1545					○						
							+F	+F		+F	+F	+F	+F	+F	+F		
22 (**)	2	Guarnizione	Gasket	150 x 285 x 3													
23	1	Portina	Cover		G	1000 6474	○				○	○		○			
					GZ	1000 8503	+Z	○		+Z				+Z	+Z		
					A	1000 6459							○				
					K	1000 6503				○							
24 (**)	1	Guarnizione	Gasket	72 x 95 x 3													
25	1	Anello di tenuta compl.	Mechanical seal ass.	T45 YYN ND T 45 YVV ND		1002 1228	○					○	○				
						1002 1309		○	○		○	○					

Rif. N° Pos. Nr.	Quant.	Denominazione	Den. Comm. Type	Mat. *	Codice Nuovo New Part. No.	JP 6-250 G10 F SAE4 V10"	JP 6-250 Q10 F SAE4 V10"	JP 6-250 K10 F SAE4 V10"	JP 6-250 P10 F SAE4 V10"	JP 6-250 F10 F SAE4 V10"	JP 6-250 A10 F SAE4 V10"	JP 6-250 C10 F SAE4 V10"	JP 6-250 L10 F SAE4 V10"		
26	1	Portina	Cover	G	1000 6477	○			○	○			○		
				GZ	1000 8505	+Z	○		+Z				+Z	+Z	
				A	1000 6459						○				
				K	1000 6505			○							
27 (**)	1	Guarnizione	Gasket												
33	1	Dado blocca girante	Impeller nut	M 30 x 2 UNI 7474	H	1000 1466	○		○		○	○	○		
				M 30 x 2 UNI 7474	K	1000 1473		○	○		○				
42 (**)	1	Guarnizione piatto	Wear plate gasket												
43 (**)	1	Guarnizione corpo	Casing gasket												
45	4	Vite	Screw	M 12 x 45 DIN 931	S	1000 1963	○		○		○	○	○		
				M 12 x 45 DIN 933	K	1000 2056		○	○		○				
45.1	4	Dado	Nut	M 12 DIN 934	S	1000 1422	○		○		○	○	○		
					K	1000 1439		○	○		○				
45.2	4	Rondella	Washer	M 12 UNI 1751/52 A	S	1000 1681	○		○		○	○	○		
					K	1000 1685		○	○		○				
47 (*)	8	Prigioniero	Stud	M 12 x 25 DIN 938	S		○		○		○	○	○		
				M 12 x 25 DIN 938	K			○	○		○				
48 (*)	6	Prigioniero	Stud	M 16 x 55 DIN 938	S	1000 1832	○		○		○	○	○		
				M 16 x 60 DIN 938	K	1000 1851		○	○		○				
48.1 (*)	6	Prigioniero	Stud	M 16 x 35 DIN 938	S		○		○		○	○	○		
					K			○	○		○				
49 (*)	2	Prigioniero	Stud	M 10 x 35 DIN 938	S		○		○		○	○	○		
					K			○	○		○				
50 (*)	2	Prigioniero	Stud	M 10 x 35 DIN 938	S		○		○		○	○	○		
					K			○	○		○				
52 (*)	8	Dado	Nut	M 12 DIN 934	S		○		○		○	○	○		
					K			○	○		○				
52.1 (*)	12	Dado	Nut	M 16 DIN 934	S		○		○		○	○	○		
					K			○	○		○				
53 (*)	4	Maniglietta	Wrench	M 10	OTS		○		○		○	○	○		
					Dado	Nut	M 10 DIN 934	K			○	○		○	○
53.1 (*)	3	Maniglietta	Wrench	M 12	OTS		○		○		○	○	○		
					Dado	Nut	M 12 DIN 934	K			○	○		○	○
53.4 (*)	2	Rondella	Washer	M 10 DIN 125 A	K			○	○		○	○			
53.5 (*)	2	Rondella	Washer	M 10 DIN 125 A	K			○	○		○	○			
53.6 (*)	3	Rondella	Washer	M 12 DIN 125 A	K			○	○		○	○			
54 (*)	3	Prigioniero	Stud	M 12 x 30 DIN 938	S		○		○		○	○	○		
					K			○	○		○				
55	4	Vite	Screw	M 6 x 20 DIN 933	S	1000 1933	○	○	○	○	○	○	○		
57 (*)	4	Vite	Screw	M 10 x 20 DIN 912	H		○		○		○	○	○		
					K			○	○		○				
57.1 (*)	4	Vite	Screw	M 12 x 25 DIN 933	S		○		○		○	○	○		
					K			○	○		○				
57.3 (*)	4	Rondella	Washer	M 12 DIN 125A	S		○		○		○	○	○		
					K			○	○		○				
58	1	Cuscinetto	Ball bearing	3308 2RS		1005 4292	○	○	○	○	○	○	○		
59	1	Cuscinetto	Ball bearing	62208-2RS		1005 4291	○	○	○	○	○	○	○		
60	1	Linguetta	Key	10 x 8 x 40 DIN6885A	K	1000 1626	○	○	○	○	○	○	○		
61	1	Linguetta	Key	10 x 8 x 70 DIN6885A	S	1000 1598	○	○	○	○	○	○	○		
62	1	Ghiera	Lock ring	M 40	S	1000 1573	○	○	○	○	○	○	○		
63	1	Ghiera		35 x 50 x 10	S	1002 1222	○	○	○	○	○	○	○		
66	1	Rondella	Washer	M 30 DIN 125A	H	1000 1716	○		○		○	○	○		
					K	1000 1715		○	○		○				
67	1	Ingrassatore	Grease nipple	M 6 x 30		1000 1665	○	○	○	○	○	○	○		
68.5 (*)	1	Tappo	Plug	1/4"	G	1000 2379	○		○		○	○	○		
					K	1000 2414		○	○		○				

VARISCO S.p.A.

35129 Padova - Z.I. Nord Terza Strada, 9

Tel. 049 82 94 111

+39 049 82 94 111

Fax 049 82 94 373

International +39 049 80 76 762



varisco
solid pumping solutions

Rif. N° Pos. Nr.	Quant.	Denominazione		Den. Comm. Type	Mat. *	Codice Nuovo New Part. No.	JP 6-250 G10 F SAE4 V10"	JP 6-250 Q10 F SAE4 V10"	JP 6-250 K10 F SAE4 V10"	JP 6-250 P10 F SAE4 V10"	JP 6-250 F10 F SAE4 V10"	JP 6-250 A10 F SAE4 V10"	JP 6-250 C10 F SAE4 V10"	JP 6-250 L10 F SAE4 V10"
70 (*)	1	Ingrassatore	Grease nipple	1/4"		1000 1662	○	○	○	○	○	○	○	○
		Cartuccia Perma	Perma cartridge			1000 8316	+P	+P	+P	+P	+P	+P	+P	+P
70.1	1	Manicotto	Union	1/4"	G	1000 2352	+P	+P	+P	+P	+P	+P	+P	+P
70.2	1	Prolunga	Grease tube	1/4"	S	1000 6955	+P	+P	+P	+P	+P	+P	+P	+P
71	1	V-ring	V-ring	V 35	N	1000 1294	○	○	○	○	○	○	○	○
(*)		Serie viterie	Set of screws			1001 4213	○							
						1001 4221		○						
						1005 3149							○	○
						1002 1291						○		
(**)		Serie guarnizioni	Set of gaskets			N 1002 6958	○					○	○	○
						V 1002 4037			○					
						V 1002 4038		○		○	○			
+F***		Kit flange	Kit flange	DN 150 PN16	G	1004 4977	○			○	○	○	○	○
				DN 150 PN16	B	1004 5099		○						
				6" ASA150	G	1004 5100	○			○	○	○	○	○
+P***		Kit ingrassatore	Compl. Grease kit			1000 8316	○	○	○	○	○	○	○	
+Z***		Kit portine	Set of cover		GZ	1001 4235	○			○			○	
***		Optional												

Note:	Notes:
1) Completo di prigionieri (47, 48, 49, 50, 54) e tappo (68.5).	1) Complete with studs (47, 48, 49, 50, 54) and plug (68.5).
2) Completo di viti (57).	2) Complete with screws (57).
3) Completo di guarnizione (42).	3) Complete with gasket (42).
4) Completo di dado (33), rondella (66), linguette (60,61) e ghiera (62).	4) Complete with nut (33), washer (66), keys (60,61) and lock ring (62).
* Materiali di costruzione	* Construction material
A = Alluminio UNI3054	A = UNI3054 Aluminium
B = Bronzo	B = Bronze
G = Ghisa	G = Cast iron
G+N1 = Ghisa trattata	G+N1 = Treated Cast iron
G+N2 = Ghisa trattata	G+N2 = Treated Cast iron
G+N4 = Ghisa trattata	G+N4 = Treated Cast iron
GS = Ghisa sferoidale	GS = Ductile cast iron
H = Acciaio INOX AISI 304	H = AISI 304 Stainless steel
K = Acciaio INOX AISI 316	K = AISI 316 Stainless steel
K5 = Acciaio INOX SAF 2205	K7 = SAF2205 Stainless steel
N = Gomma nitrile	N = Nitrile rubber
OTS = Ottone	OTS = Brass
S = Acciaio	S = Steel
S3 = Acciaio 38NiCrMo4	S3 = Steel 38 NiCrMo4
V = Viton	V = Viton
Z = Zinco	Z = Zinc
Ordinare il materiale indicando sempre la quantità, la denominazione, il codice del pezzo, il tipo ed il numero della pompa.	When ordering spares always indicate type and serial number of pump, quantity, part name, and number.