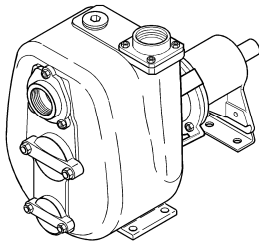
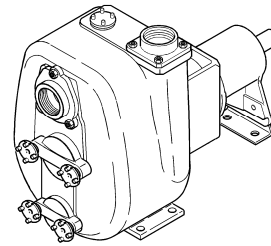


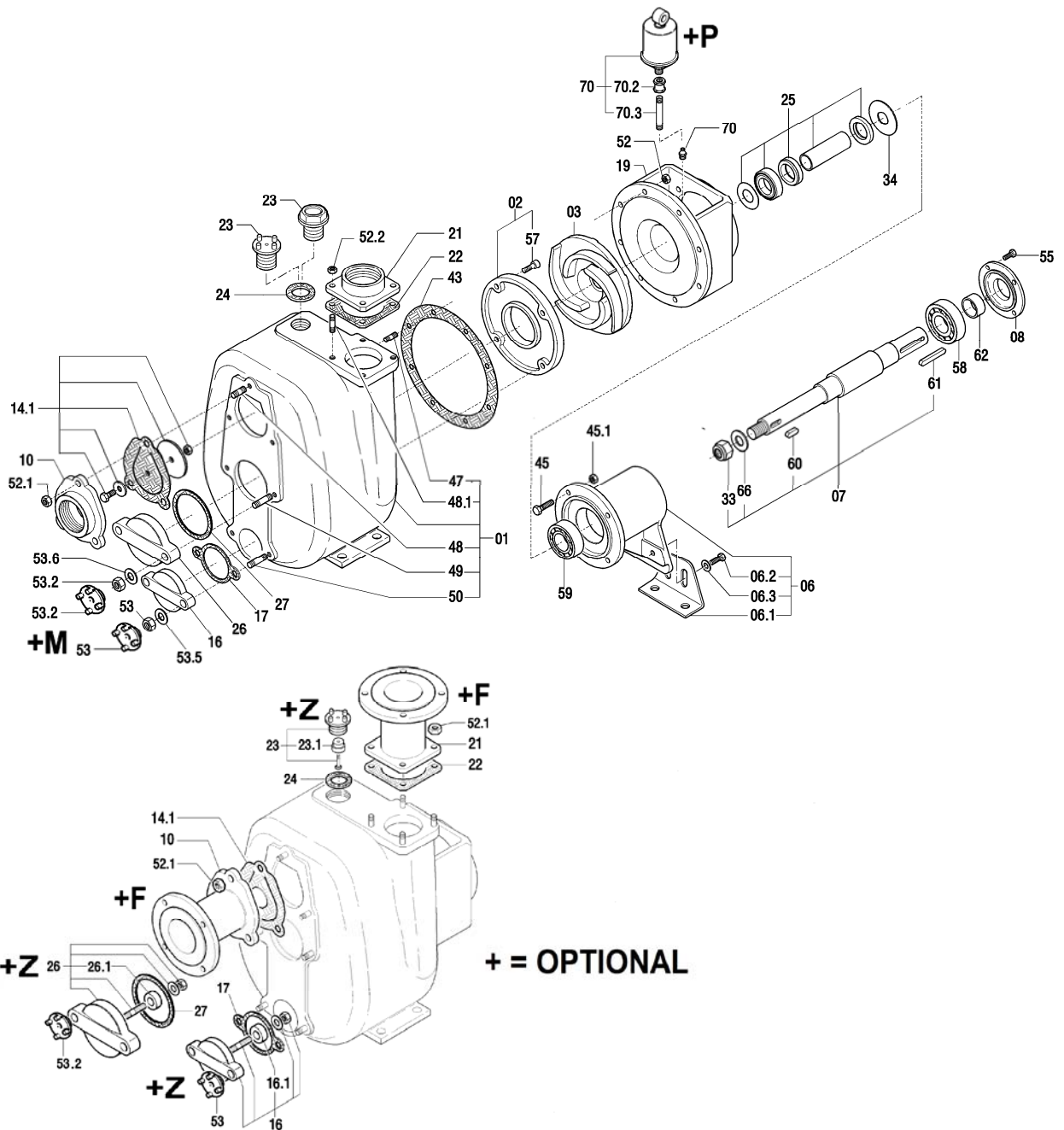
DISTINTA DELLE PARTI COSTITUENTI LE POMPE CENTRIFUGHE AUTOADESCANTI SERIE " J "
SPARE PARTS LIST FOR "J" SERIES SELF-PRIMING PUMPS
LISTE DES PIECES DE RECHANGE POUR POMPES CENTRIFUGES AUTO-AMORCANTES SERIE "J"
ERSATZTEILLISTE FÜR SELBSTANSAUGENDE KREISELPUMPEN SERIE "J"



JS 2-170 G10 Code 1004 2199
 JS 2-170 F10 Code 1004 7435
 JS 2-170 P10 Code 1004 7433



JS 2-170 Q10 Code 1004 7434



+ = OPTIONAL

| Rif. N°. Pos. Nr. Ref. no. Réf. N°. | Quant. | Denominazione | Part name | Den. Comm. Type | Mat.* | Codice Nuovo New Part No. | JS 2-170 G10 | JS 2-180 F10 | JS 2-180 Q10 | JS 2-180 P10 |
|--|--------|-----------------------|--------------------------|---------------------|----------|------------------------------------|--------------|--------------|--------------|--------------|
| 01 | 1 | Corpo (1) | Casing (1) | | G | 1001 6936 | ○ | ○ | | ○ |
| | | | | | B | 1001 6939 | | | | |
| | | | | | G | 1002 7732 | | | ○ | |
| 02 | 1 | Piatto d'usura (2) | Front wear plate (2) | | G | 1001 6934 | ○ | ○ | | ○ |
| | | | | | GN | 1000 8461 | | | | |
| | | | | | B | 1000 8408 | | | ○ | |
| 03 | 1 | Girante | Impeller | | GS | 1004 2197 | ○ | | | ○ |
| | | | | | K | 1004 7216 | | ○ | | |
| | | | | | B | 1004 7217 | | | ○ | |
| 06 | 1 | Supporto completo (3) | Bearing housing ass. (3) | | G | 1000 9077 | ○ | ○ | ○ | ○ |
| 06.1 | 1 | Piede supporto | Bearing housing foot | | S | 1000 6142 | ○ | ○ | ○ | ○ |
| 06. | 2 | Vite | Screw | M 12 x 30 DIN 933 | S | 1000 1960 | ○ | ○ | ○ | ○ |
| 06.3 | 2 | Rondella | Washer | M 12 DIN 125 A | S | 1000 1699 | ○ | ○ | ○ | ○ |
| 07 | 1 | Albero (4) | Shaft (4) | | S | 1000 7593 | ○ | | | ○ |
| | | | | | K | 1000 7612 | | ○ | ○ | |
| 08 | 1 | Copricuscinetto | Bearing cover | | G | 1000 4772 | ○ | ○ | ○ | ○ |
| 10 | 1 | Portavalvola | Suction flange | R2" | G | 1000 6417 | ○ | ○ | | ○ |
| | | | | | OTS | 1000 6396 | | | ○ | |
| | | | | | | | +F | +F | +F | +F |
| 14.1 | 1 | Valvola completa (5) | Check valve ass. (5) | | NH | 1000 9015 | ○ | | | |
| | | | | | VK | 1000 9018 | | ○ | ○ | ○ |
| 16 | 1 | Portina | Cover | | S | 1000 6473 | ○ | ○ | | ○ |
| | | | | | G | 1000 6486 | | | | |
| | | | | | GZ | 1000 8502 | +Z | | ○ | +Z |
| 16.1 | 1 | Placca zinco | Zinc anode | | Z | 1000 3810 | +Z | | ○ | +Z |
| 17 (**) | 1 | Guarnizione | Gasket | | | | | | | |
| 19 | 1 | Portamotore | Head | | G | 1000 6342 | ○ | ○ | ○ | ○ |
| 21 | 1 | Flangia mandata | Discharge flange | R2" | G | 1000 5085 | ○ | ○ | | ○ |
| | | | | | OTS | 1000 5068 | | | ○ | |
| | | | | | | | | | +F | +F |
| 22 | 1 | Guarnizione | Gasket | | | | | | | |
| 23 | 1 | Tappo | Plug | 1" | S | 1000 2316 | ○ | ○ | | ○ |
| | | | | | OTSZ | 1000 8372 | +Z | | ○ | +Z |
| 23.1 | 1 | Placca zinco | Zinc anode | | Z | 1000 6574 | +Z | | ○ | +Z |
| 24 (**) | 1 | Guarnizione | Gasket | | | | | | | |
| 25 | 1 | Tenuta completa | Mechanical seal | T 30 YYN | | 1000 8894 | ○ | | | |
| | | | | | T 30 YYV | | 1000 8895 | | ○ | ○ |
| 26 | 1 | Portina | Cover | | G | 1000 6474 | ○ | ○ | | ○ |
| | | | | | GZ | 1000 8503 | +Z | | ○ | +Z |
| 26.1 | 1 | Placca zinco | Zinc anode | | Z | | +Z | | ○ | +Z |
| 27 (**) | 1 | Guarnizione | Gasket | | | | | | | |
| 33 | 1 | Dado blocca girante | Impeller nut | M 18 x 1,5 UNI 7474 | H | 1000 1464 | ○ | | | ○ |
| | | | | | K | 1000 1471 | | ○ | ○ | |
| | | | | | K | 1000 6929 | | | | |
| 34 | 1 | Anello spartiacque | Water deflector | 65 x 25,3 x 2 | H | 1000 4139 | ○ | ○ | ○ | ○ |
| 43 (**) | 1 | Guarnizione corpo | Casing gasket | 177 x 219 x 0,5 | | | | | | |
| 45 | 4 | Vite | Screw | M 8 x 35 DIN 933 | S | 1000 1940 | ○ | | | ○ |
| | | | | | K | 1000 2033 | | ○ | ○ | |
| 45.1 | 4 | Dado | Nut | M 8 DIN 934 | S | 1000 1420 | ○ | | | ○ |
| | | | | | K | 1000 1435 | | ○ | ○ | |
| 47 (*) | 8 | Prigioniero | Stud | M 8 x 18 DIN 938 | S | | ○ | | | ○ |
| | | | | | K | | | ○ | ○ | |
| 48 (*) | 3 | Prigioniero | Stud | M 10 x 25 DIN 938 | S | | ○ | | | ○ |
| | | | | | K | | | ○ | ○ | |
| 48.1 (*) | 4 | Prigioniero | Stud | M 10 x 25 DIN 938 | S | | ○ | | | ○ |
| | | | | | K | | | ○ | ○ | |
| 49 (*) | 2 | Prigioniero | Stud | M 10 x 30 DIN 938 | S | | ○ | | | ○ |
| | | | | | K | | | ○ | | |
| | | | | | K | | | | ○ | |

| Rif. N°. Pos. Nr. Ref. no. Réf. N°. | Quant. | Denominazione | Part name | Den. Comm. Type | Mat.* | Codice Nuovo New Part No. | JS 2-170 G10 | JS 2-180 F10 | JS 2-180 Q10 | JS 2-180 P10 |
|--|--------|---------------------|---------------------|-----------------------|-------|------------------------------------|--------------|--------------|--------------|--------------|
| | | | | | | | | | | |
| 50 (*) | 2 | Prigioniero | Stud | M 10 x 30 DIN 938 | S | | ○ | | | ○ |
| | | | | M 10 x 35 DIN 938 | K | | | ○ | | |
| 52 (*) | 8 | Dado | Nut | M 8 DIN 934 | S | | ○ | | | ○ |
| | | | | | K | | | ○ | | |
| 52.1 (*) | 3 | Dado | Nut | M 10 DIN 934 | S | | ○ | | | ○ |
| | | | | | K | | | ○ | ○ | |
| 52.2 (*) | 4 | Dado | Nut | M 10 DIN 934 | S | | ○ | | | ○ |
| | | | | | K | | | ○ | ○ | |
| 53 (*) | 2 | Maniglietta | Wrench | M 10 | OTS | | +M | | ○ | +M |
| | | Dado | Nut | M 10 DIN 934 | S | | ○ | | | ○ |
| | | | | | K | | | | ○ | |
| 53.2 (*) | 2 | Maniglietta | Wrench | M 10 | OTS | | +M | | ○ | +M |
| | | Dado | Nut | M 10 DIN 934 | S | | ○ | | | ○ |
| | | | | | K | | | | ○ | |
| 53.5 (*) | 2 | Rondella | Washer | M 10 DIN 125 A | H | | ○ | | | ○ |
| | | | | | K | | | ○ | | |
| 53.6 (*) | 2 | Rondella | Washer | M 10 DIN 125 A | H | | ○ | | | ○ |
| | | | | | K | | | ○ | | |
| 55 | 4 | Vite | Screw | M 6 x 16 DIN 933 | S | 1000 1932 | ○ | ○ | ○ | ○ |
| 57 (*) | 4 | Vite | Screw | M 8 x 20 DIN 912 | K | | ○ | ○ | ○ | ○ |
| 58 | 1 | Cuscinetto | Ball bearing | 6306 -2RS | | 1000 1374 | ○ | ○ | ○ | ○ |
| 59 | 1 | Cuscinetto | Ball bearing | 62206 - 2RS | | 1000 1363 | ○ | ○ | ○ | ○ |
| 60 | 1 | Linguetta | Key | 8 x 7 x 20 DIN 6885 A | K | 1000 1621 | ○ | ○ | ○ | ○ |
| 61 | 1 | Linguetta | Key | 8 x 7 x 50 DIN 6885 A | S | 1000 1594 | ○ | ○ | ○ | ○ |
| 62 | 1 | Ghiera | Sleeve | | S | | ○ | ○ | ○ | ○ |
| 66 | 1 | Rondella | Washer | M 18 DIN 125 A | H | 1000 1712 | ○ | | | ○ |
| | | | | M 18 DIN 125 A | K | | | | ○ | ○ |
| 70 | 1 | Ingrassatore | Grease nipple | 1/4" | | 1000 1662 | ○ | ○ | ○ | |
| | | Cartuccia Perma (6) | Perma cartridge (6) | | | 1000 8316 | +P | +P | +P | +P |
| 70.2 | 1 | Manicotto | Union | 1/4" | G | 1000 2352 | +P | +P | +P | +P |
| 70.3 | 1 | Prolunga | Grease tube | 1/4" | S | 1000 6955 | +P | +P | +P | +P |
| (*) | | Serie viterie | Set of screws | | | 1001 4400 | ○ | | | ○ |
| | | | | | | 1001 4410 | | ○ | | |
| | | | | | | 1001 4405 | | | ○ | |
| (**) | | Serie guarnizioni | Set of gaskets | | | 1001 4401 | ○ | | | |
| | | | | | | 1001 4413 | | ○ | ○ | ○ |
| +F*** | | Kit flange | Kit flange | DN 50 PN16 | G | 1004 2783 | ○ | | | ○ |
| | | | | DN 50 PN16 | B | 1004 2786 | | | ○ | |
| | | | | 2" ASA150 | G | 1004 2809 | ○ | | | ○ |
| | | | | 2" ASA150 | B | 1004 2805 | | | ○ | |
| +P*** | | Kit ingrassatore | Compl. Grease kit | | | 1000 8316 | ○ | ○ | ○ | ○ |
| +Z*** | | Kit portine | Set of couer | | GZ | 1001 4416 | ○ | | | ○ |
| +M*** | | Kit maniglie | Set of wrench | | OTS | 1004 2798 | ○ | | | ○ |
| *** | | Optional | | | | | | | | |

| Note: | | Notes: | |
|--|-------------------------|---|----------------------------|
| 1) Completo di prigionieri (47, 48, 49, 50). | | 1) Complete with studs (47, 48, 49, 50). | |
| 2) Completo di viti (57). | | 2) Complete with screws (57). | |
| 3) Completo di piede (06.1), viti (06.2) e rondella (06.3). | | 3) Complete with bearing housing foot (06.1), screws (06.2) and washer | |
| 4) Completo di linguette (60, 61), dado (33) e rondella (66). | | 4) Complete with keys (60, 61), nut (33), and washer (66). | |
| 5) Completo valvola, contrappesi, vite e dado. | | 5) Complete with check valve, weights, screw and nut. | |
| 6) Completo di manicotto (70.2) e prolunga (70.3) | | 6) Complete with union (70.2) and grease tube (70.3) | |
| | | | |
| * Materiali di costruzione | | * Construction materials | |
| | | | |
| B | = Bronzo | B | = Bronze |
| G | = Ghisa | G | = Cast iron |
| GS | = Ghisa sferoidale | GS | = Ductile cast iron |
| H | = Acciaio inox AISI 304 | H | = AISI 304 stainless steel |
| K | = Acciaio inox AISI 316 | K | = AISI 316 stainless steel |
| N | = Gomma nitrile | N | = Nitrile rubber |
| OTS | = Ottone | OTS | = Brass |
| S | = Acciaio | S | = Steel |
| V | = Viton | V | = Viton |
| Z | = Zinco | Z | = Zinc |
| | | | |
| Ordinare il materiale indicando sempre la quantità, la denominazione, il codice del pezzo, il tipo ed il numero della pompa. | | When ordering spares always indicate type and serial number of pump, quantity, part name, and number. | |

VARISCO S.p.A.

Terza Strada, 9 - Z.I. Nord - 35129 Padova - Italy

Tel. 049 82 94 111

+39 049 82 94 111

Fax 049 82 94 373

International +39 049 80 76 762

