

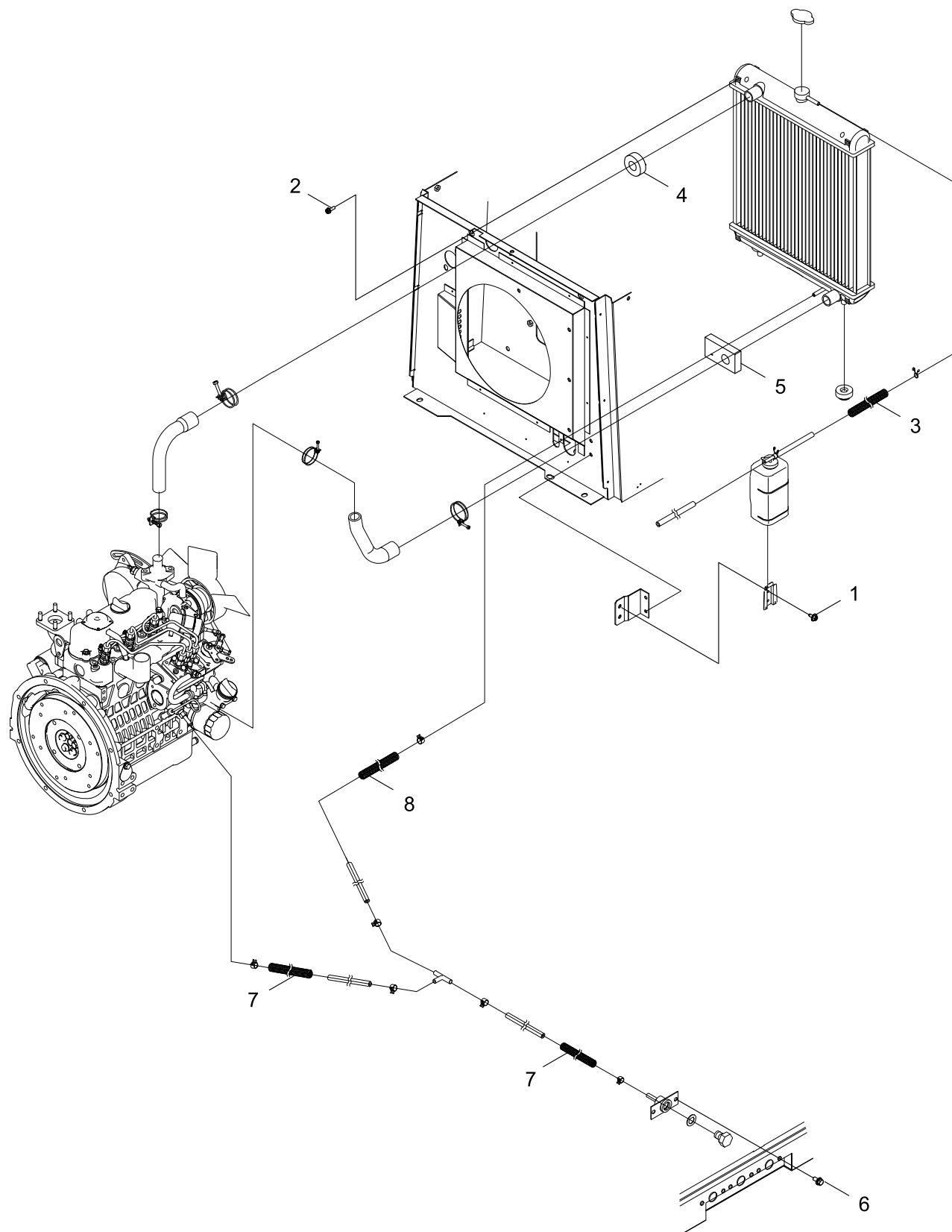
DGW400DMK-D4CSV

Published:08/31/2016

TABLE OF CONTENTS

| | |
|------------------------------------|----|
| RADIATOR RELATED PARTS | 1 |
| MUFFLER | 3 |
| FUEL TANK | 5 |
| FUEL PIPE | 7 |
| COVER | 9 |
| FRONT PANEL | 11 |
| BASE, FRAME | 13 |
| DOOR..... | 15 |
| TOP COVER | 17 |
| MOTOR | 19 |
| ROTOR..... | 21 |
| CONTROL PANEL..... | 23 |
| ELECTRICAL EQUIPMENT, HARNESS..... | 25 |
| FIN..... | 29 |
| OUTPUT TERMINAL | 33 |
| LABEL..... | 35 |

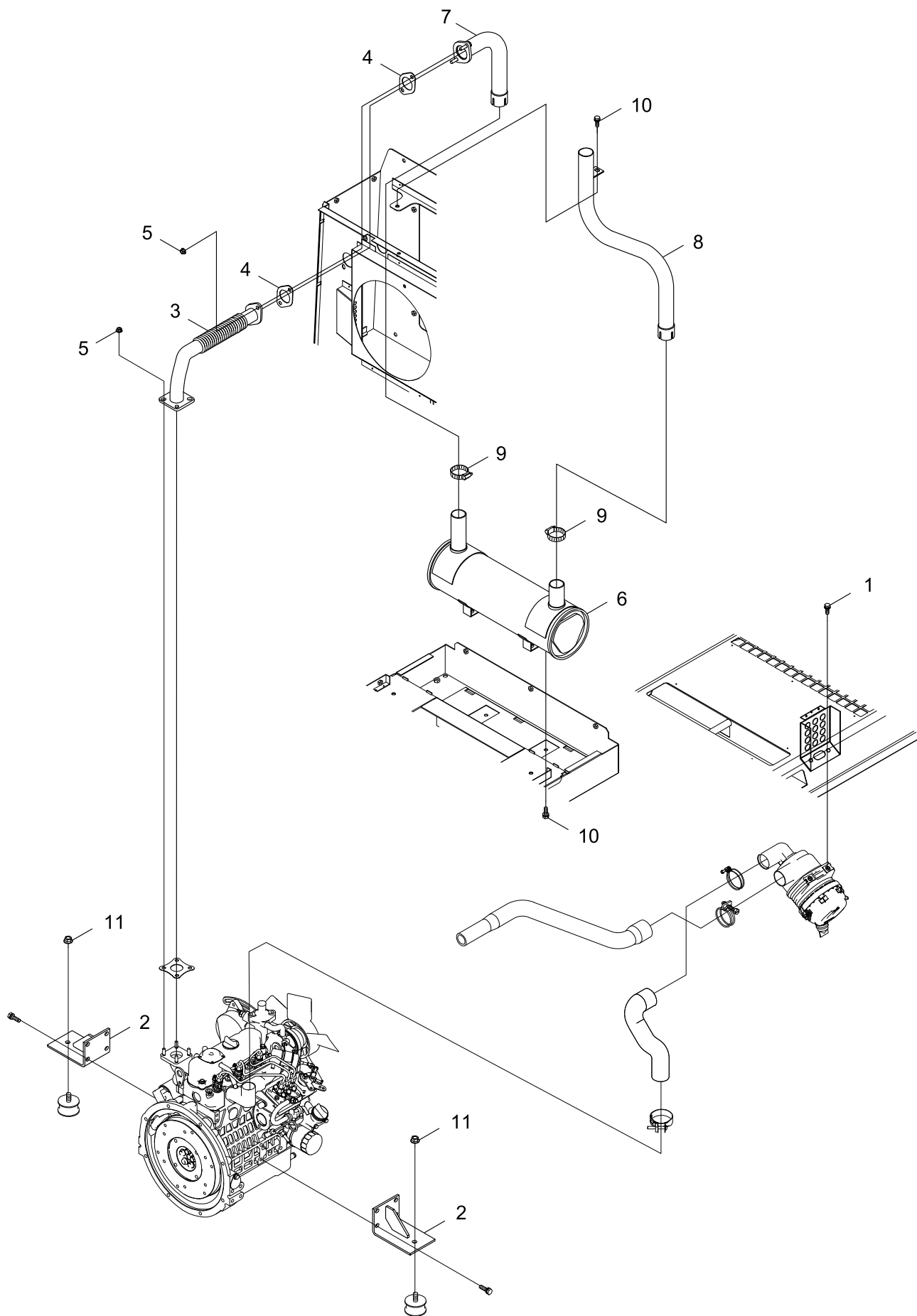
RADIATOR RELATED PARTS



RADIATOR RELATED PARTS

| KEY NO | LV(+) | Part No | Description | Qty | Standard |
|--------|-------|-------------|-------------|-----|--------------|
| 1 | | V204-001600 | BOLT,6 | 2 | M6*16 |
| 2 | | 91036-06020 | BOLT SW | 2 | |
| 3 | | V476-000270 | TUBE | 1 | |
| 4 | | V542-000040 | SEAL | 1 | T20X50X25 |
| 5 | | V542-000050 | SEAL | 1 | T10X55X100 |
| 6 | | V205-001120 | BOLT,8 | 2 | BM-8*20 W SW |
| 7 | | V476-000270 | TUBE | 2 | |
| 8 | | V476-000260 | TUBE | 1 | |

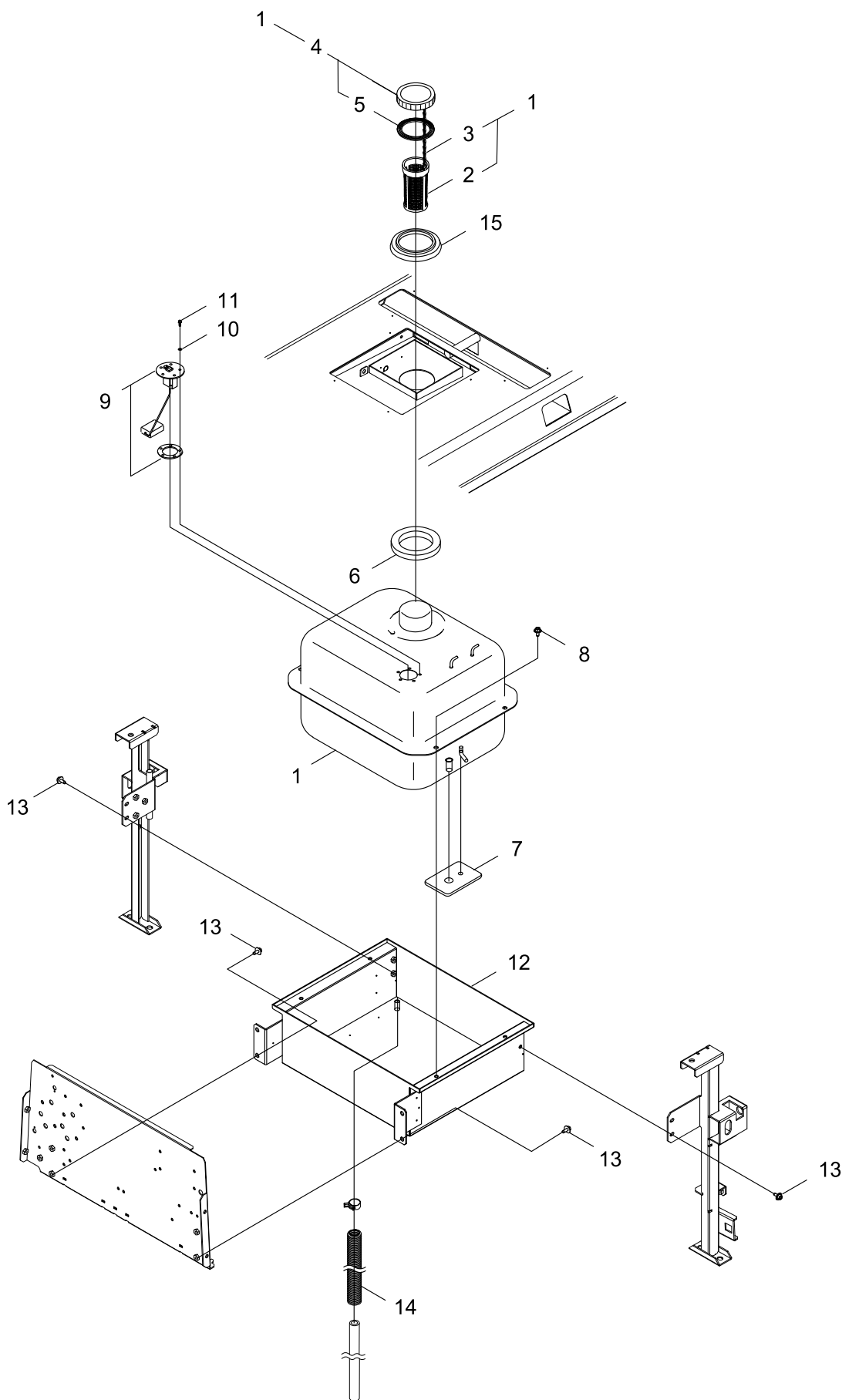
MUFFLER



MUFFLER

| KEY NO | LV(+) | Part No | Description | Qty | Standard |
|--------|-------|-------------|---------------|-----|--------------|
| 1 | | V205-001120 | BOLT,8 | 2 | BM-8*20 W SW |
| 2 | | G121-000420 | STAY,ENGINE | 2 | |
| 3 | | G231-000540 | FLEXIBLE TUBE | 1 | |
| 4 | | V104-001740 | GASKET | 2 | |
| 5 | | V265-000290 | FLANGE NUT | 6 | |
| 6 | | A300-001430 | MUFFLER | 1 | |
| 7 | | G231-001040 | PIPE,EXHAUST | 1 | |
| 8 | | G231-000560 | EXHAUST PIPE | 1 | |
| 9 | | V495-002100 | CLAMP | 2 | |
| 10 | | V205-001120 | BOLT,8 | 5 | BM-8*20 W SW |
| 11 | | V268-000060 | FLANGE NUT | 2 | |

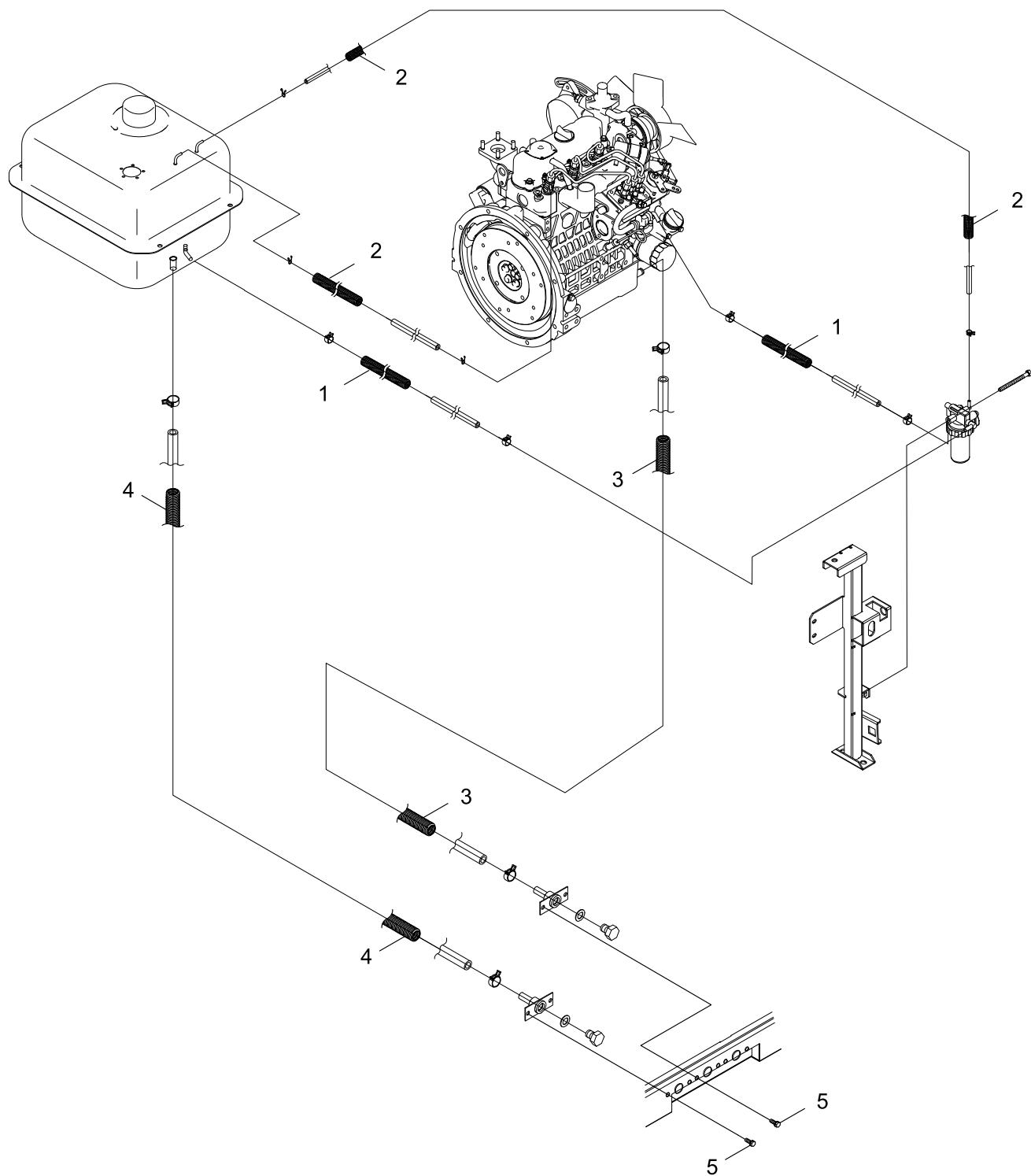
FUEL TANK



FUEL TANK

| KEY NO | LV(+) | Part No | Description | Qty | Standard |
|--------|-------|-------------|--------------|-----|-----------|
| 1 | | G250-000820 | TANK,FUEL | 1 | |
| 2 | + | A369-000180 | STRAINER | 1 | |
| 3 | + | V489-000120 | CHAIN | 1 | |
| 4 | + | G255-000110 | TANK CAP | 1 | |
| 5 | ++ | V107-000140 | PACKING | 1 | |
| 6 | | V540-000360 | SHEET | 1 | |
| 7 | | V542-000080 | SEAL | 1 | T6*80*110 |
| 8 | | V204-001600 | BOLT,6 | 4 | M6*16 |
| 9 | | E325-000100 | FUEL GUAGE | 1 | |
| 10 | | V500-000020 | SEAL WASHER | 5 | |
| 11 | | 91463-05012 | SCREW TRUSS | 5 | |
| 12 | | G126-000570 | BRACKET,TANK | 1 | |
| 13 | | V204-001600 | BOLT,6 | 8 | M6*16 |
| 14 | | V475-007230 | TUBE | 1 | 22*L300 |
| 15 | | V145-000510 | TANK BUSH | 1 | |

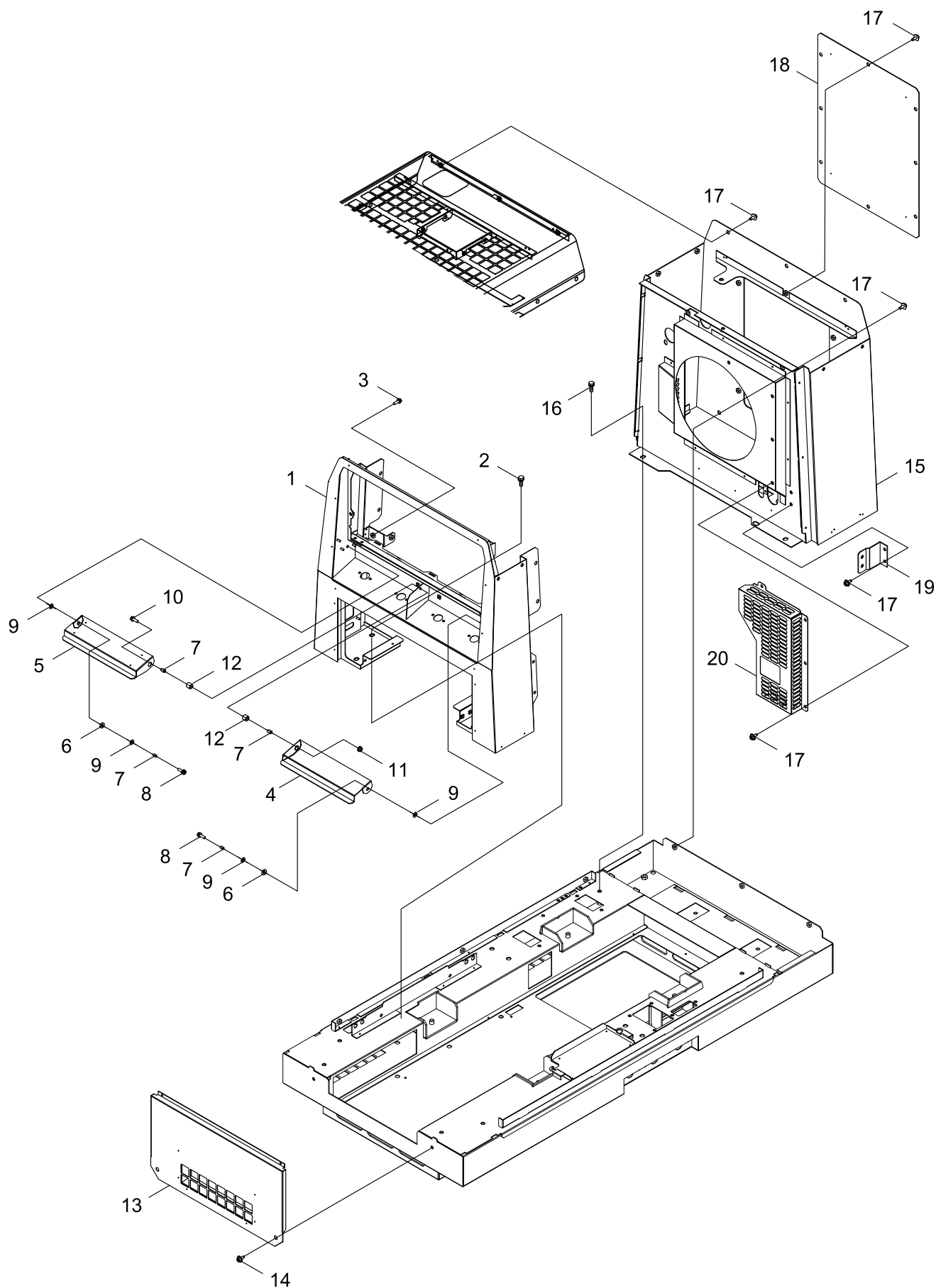
FUEL PIPE



FUEL PIPE

| KEY NO | LV(+) | Part No | Description | Qty | Standard |
|--------|-------|-------------|-------------|-----|--------------|
| 1 | | V476-000190 | TUBE | 2 | |
| 2 | | V475-006170 | TUBE | 2 | |
| 3 | | V476-000280 | TUBE | 1 | |
| 4 | | V475-008030 | TUBE | 1 | 22*L800 |
| 5 | | V205-001120 | BOLT,8 | 4 | BM-8*20 W SW |

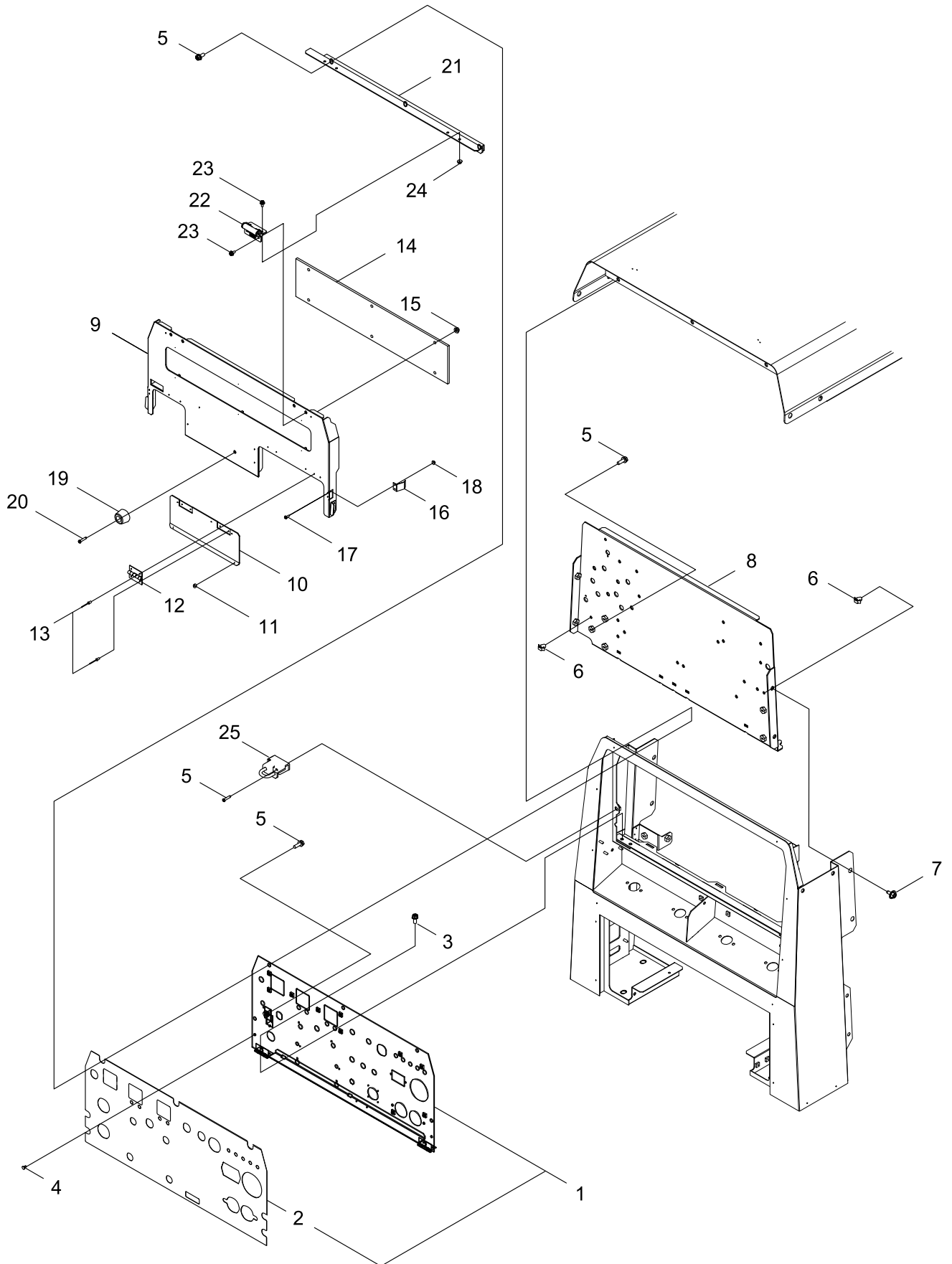
COVER



COVER

| KEY NO | LV(+) | Part No | Description | Qty | Standard |
|--------|-------|--------------|-------------|-----|--------------|
| 1 | | J493-000620 | BONNET | 1 | |
| 2 | | V205-001120 | BOLT,8 | 4 | BM-8*20 W SW |
| 3 | | V204-001610 | BOLT,6 | 1 | M6*16SPW(+ |
| 4 | | M470-002280 | COVER | 1 | |
| 5 | | M470-002290 | COVER | 1 | |
| 6 | | V420-003160 | BUSH RUBBER | 2 | |
| 7 | | V375-000480 | COLLAR | 4 | |
| 8 | | 91036-06020 | BOLT SW | 2 | |
| 9 | | 900602-00008 | WASHER 8 | 4 | 8.4*17*1.6 |
| 10 | | 91036-06030 | BOLT SW | 1 | |
| 11 | | V264-000220 | FLANGE NUT | 1 | |
| 12 | | V420-003170 | RUBBER PIPE | 2 | |
| 13 | | J500-000650 | PANEL | 1 | |
| 14 | | V204-001600 | BOLT,6 | 2 | M6*16 |
| 15 | | J493-000630 | BONNET | 1 | |
| 16 | | V205-001120 | BOLT,8 | 2 | BM-8*20 W SW |
| 17 | | V204-001600 | BOLT,6 | 20 | M6*16 |
| 18 | | J500-000640 | PANEL | 1 | |
| 19 | | C519-004721 | STAY | 1 | |
| 20 | | J447-000690 | GUARD | 1 | |

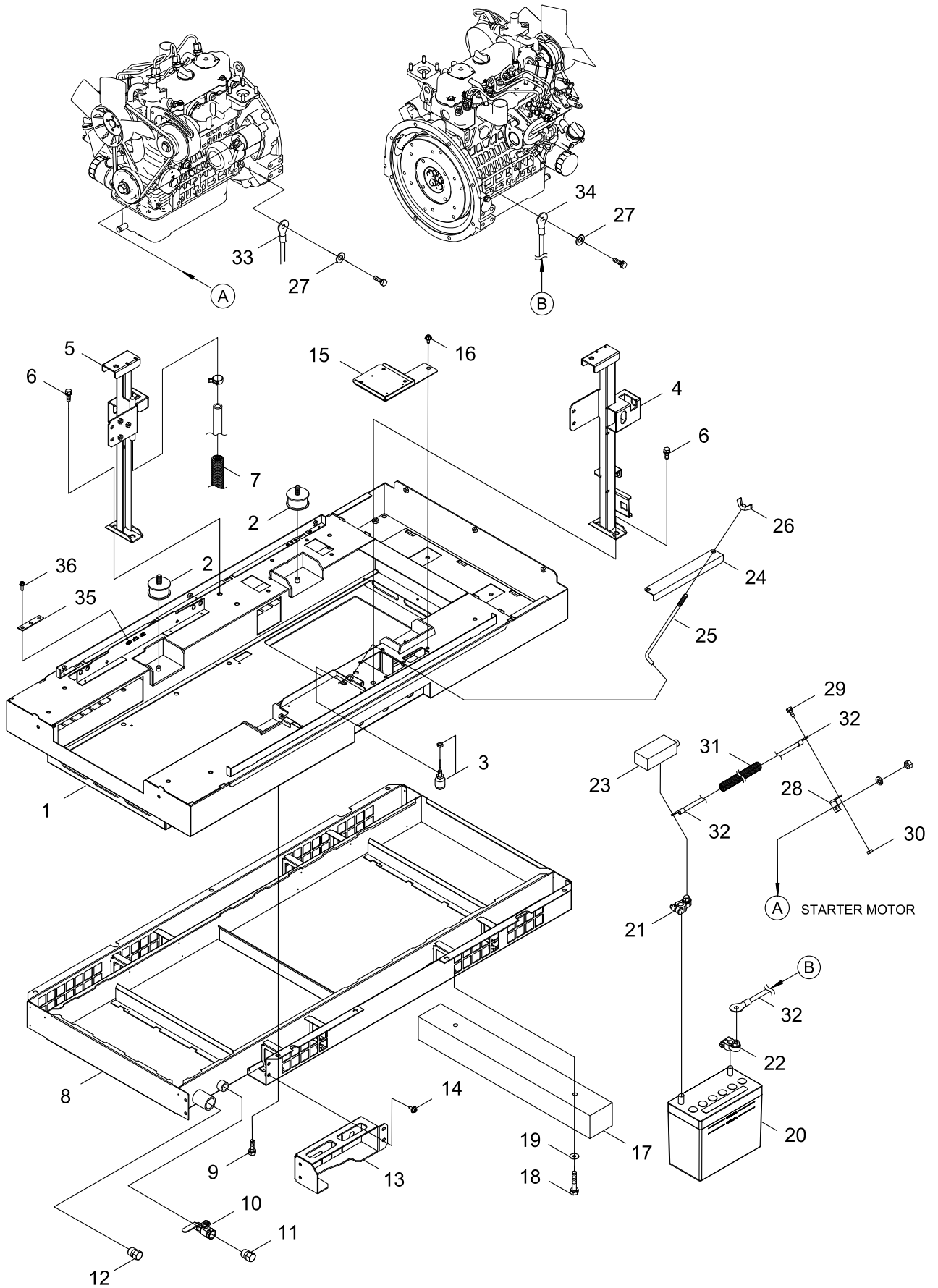
FRONT PANEL



FRONT PANEL

| KEY NO | LV(+) | Part No | Description | Qty | Standard |
|--------|-------|--------------|-----------------|-----|------------------|
| 1 | | C165-000200 | PANEL,OPERATION | 1 | |
| 2 | + | X532-004800 | LABEL,OPERATION | 1 | |
| 3 | | 900182-04010 | BOLT | 4 | 4*10 W,SW |
| 4 | | V494-000420 | CAP | 2 | |
| 5 | | V204-001610 | BOLT,6 | 7 | M6*16SPW(+) |
| 6 | | M416-000070 | STOPPER,BAND | 2 | |
| 7 | | V204-001600 | BOLT,6 | 4 | M6*16 |
| 8 | | J500-000980 | PANEL | 1 | |
| 9 | | M402-000820 | DOOR,FRONT | 1 | |
| 10 | | M471-000350 | COVER | 1 | |
| 11 | | V420-003200 | CUSHION | 2 | |
| 12 | | J485-000570 | HINGE | 2 | |
| 13 | | V649-000130 | BLIND RIVET | 8 | |
| 14 | | J500-000990 | PANEL | 1 | |
| 15 | | V263-000340 | FLANGE NUT | 6 | |
| 16 | | C390-000010 | TONGUE | 2 | |
| 17 | | 91564-03010 | SCREW SPW | 4 | |
| 18 | | V261-000010 | FLANGE NUT | 4 | |
| 19 | | V420-003070 | STAND RUBBER | 1 | |
| 20 | | 91381-04020 | SCREW TAPPING | 1 | |
| 21 | | C527-001540 | STAY | 1 | |
| 22 | | J485-000760 | HINGE | 2 | |
| 23 | | 91037-04010 | BOLT | 8 | +B4*10/W SWZM |
| 24 | | V262-000190 | FLANGE NUT | 4 | |
| 25 | | A422-000440 | BRACKET,COVER | 1 | |

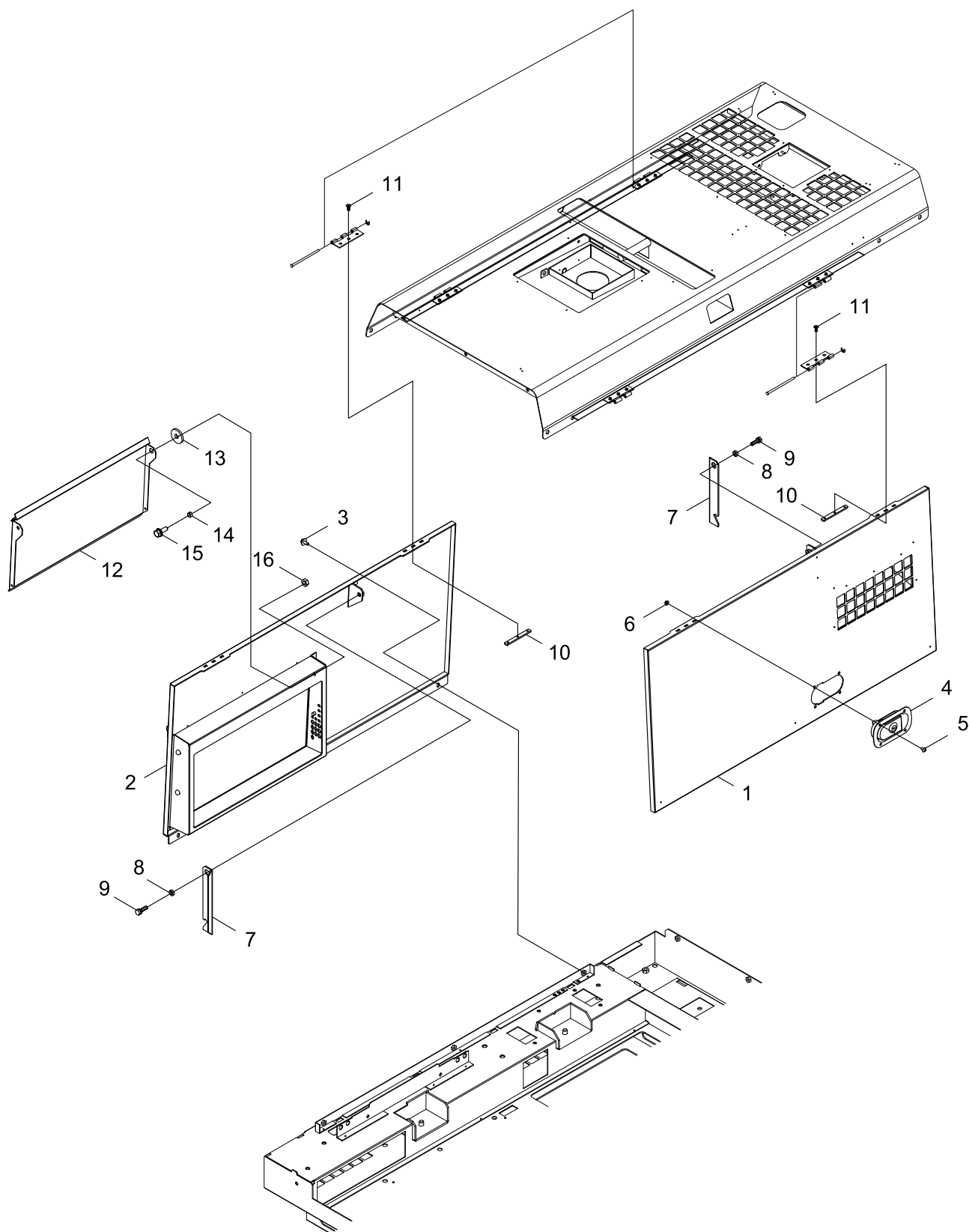
BASE, FRAME



BASE, FRAME

| KEY NO | LV(+) | Part No | Description | Qty | Standard |
|--------|-------|--------------|----------------|-----|--------------------|
| 1 | | J405-003150 | FRAME | 1 | |
| 2 | | V420-003140 | AV RUBBER | 4 | |
| 3 | | G334-001080 | SWITCH | 1 | MFS17-B(NBR) |
| 4 | | J415-000950 | STAY,BONNET | 1 | |
| 5 | | J415-000960 | STAY,BONNET | 1 | |
| 6 | | V206-000580 | BOLT,10 | 4 | M10*25-SPW |
| 7 | | V475-008020 | TUBE | 1 | 22*L400 |
| 8 | | J447-001220 | GUARD | 1 | |
| 9 | | V205-001120 | BOLT,8 | 7 | BM-8*20 W SW |
| 10 | | E265-000310 | VALVE | 1 | BV23-04-B (SUS) |
| 11 | | E328-000330 | PLUG,DRAIN | 1 | |
| 12 | | E328-000340 | PLUG,DRAIN | 1 | |
| 13 | | J447-001021 | GUARD | 1 | |
| 14 | | V204-001600 | BOLT,6 | 4 | M6*16 |
| 15 | | C603-000920 | PLATE, SIDE | 1 | |
| 16 | | V204-001600 | BOLT,6 | 5 | M6*16 |
| 17 | | C619-000490 | BASE,FRAME | 2 | 75*85*L730 |
| 18 | | 91022-10050 | BOLT SW | 4 | |
| 19 | | C603-000290 | SIDE PLATE | 4 | |
| 20 | | V481-000170 | BATTERY 46B24L | 1 | |
| 21 | | G304-000020 | TERMINAL + | 1 | |
| 22 | | G304-000030 | TERMINAL - | 1 | |
| 23 | | G305-000030 | TERMINAL CAP | 1 | |
| 24 | | G303-000290 | HOLDER,BATTERY | 1 | |
| 25 | | V240-000150 | BOLT BATTERY | 2 | |
| 26 | | 92190-08000 | WING NUT | 2 | |
| 27 | | 900617-00010 | WASHER 10 | 2 | 10(10.5*18*2) |
| 28 | | J420-000090 | TERMINAL PLATE | 1 | |
| 29 | | V205-001120 | BOLT,8 | 1 | BM-8*20 W SW |
| 30 | | 900500-00008 | NUT 8 | 1 | 8*P1.25 |
| 31 | | V475-007690 | TUBE | 1 | 19*L240 |
| 32 | | M380-000170 | LEAD WIRE | 1 | |
| 33 | | M385-000260 | LEAD | 1 | 5.5MM2L500 |
| 34 | | M386-000340 | LEAD | 1 | 22MM2 L430 |
| 35 | | V150-003140 | PLATE,EYE | 1 | |
| 36 | | V204-001610 | BOLT,6 | 3 | M6*16SPW(+) |

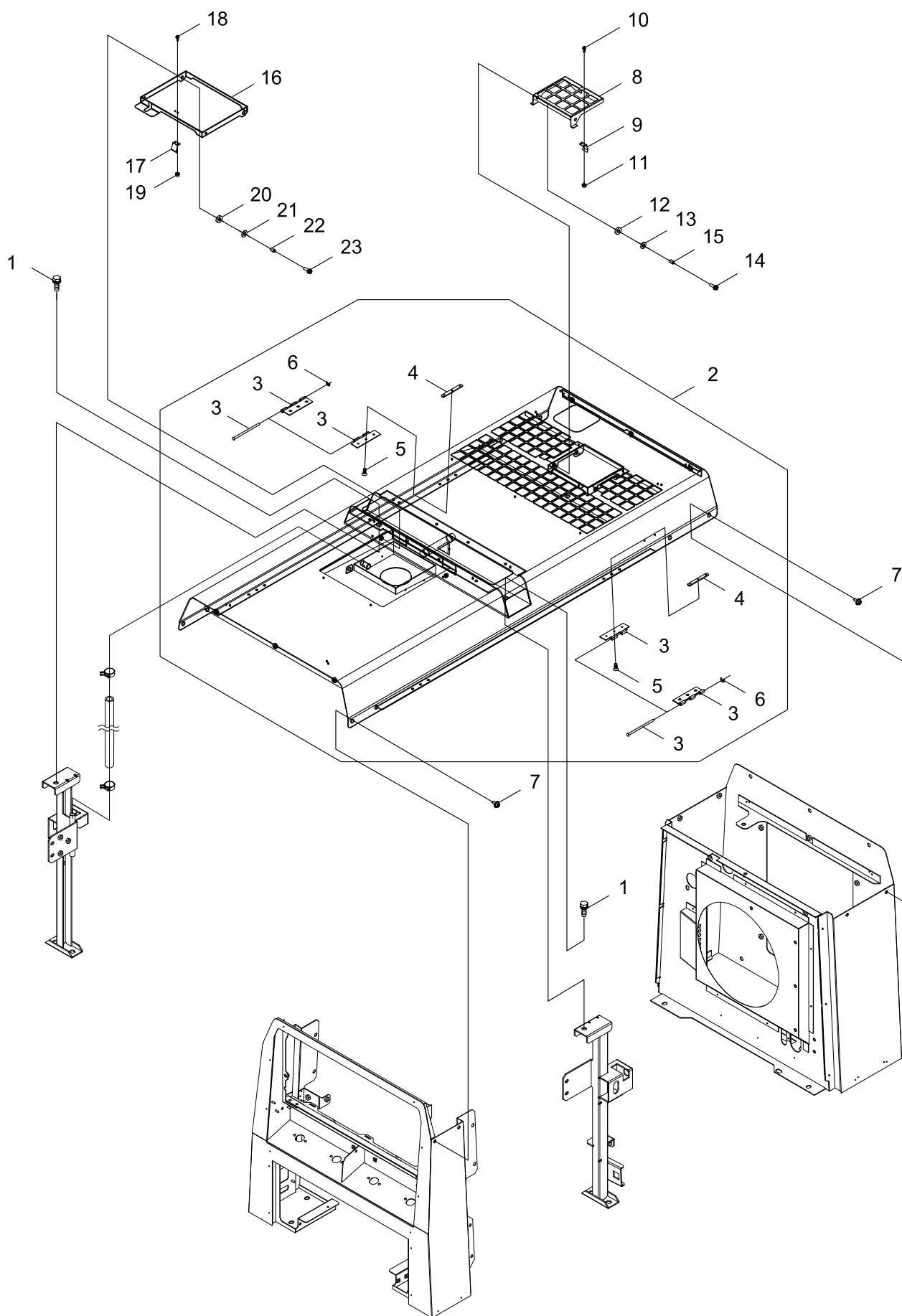
DOOR



DOOR

| KEY NO | LV(+) | Part No | Description | Qty | Standard |
|--------|-------|--------------|---------------|-----|---------------|
| 1 | | M406-001720 | DOOR,RIGHT | 1 | |
| 2 | | M404-001240 | DOOR,LEFT | 1 | |
| 3 | | V204-001600 | BOLT,6 | 3 | M6*16 |
| 4 | | C701-000900 | HANDLE | 1 | |
| 5 | | 900209-05010 | SCREW, 5*10 | 4 | 5*10 |
| 6 | | V263-000330 | FLANGE NUT | 4 | |
| 7 | | G257-000760 | STOPPER | 2 | |
| 8 | | V375-000460 | COLLAR | 2 | |
| 9 | | V205-001120 | BOLT,8 | 2 | BM-8*20 W SW |
| 10 | | V150-002620 | TAPPING PLATE | 4 | |
| 11 | | 900212-04010 | SCREW 4*10 | 12 | +SF4*10 |
| 12 | | M470-002920 | COVER | 1 | |
| 13 | | V420-003080 | BUSH RUBBER | 1 | |
| 14 | | V375-000410 | COLLAR | 1 | |
| 15 | | 91024-10030 | BOLT | 1 | BM-10*30/W,SW |
| 16 | | 900500-00010 | NUT 10 | 1 | 10*P1.5 |

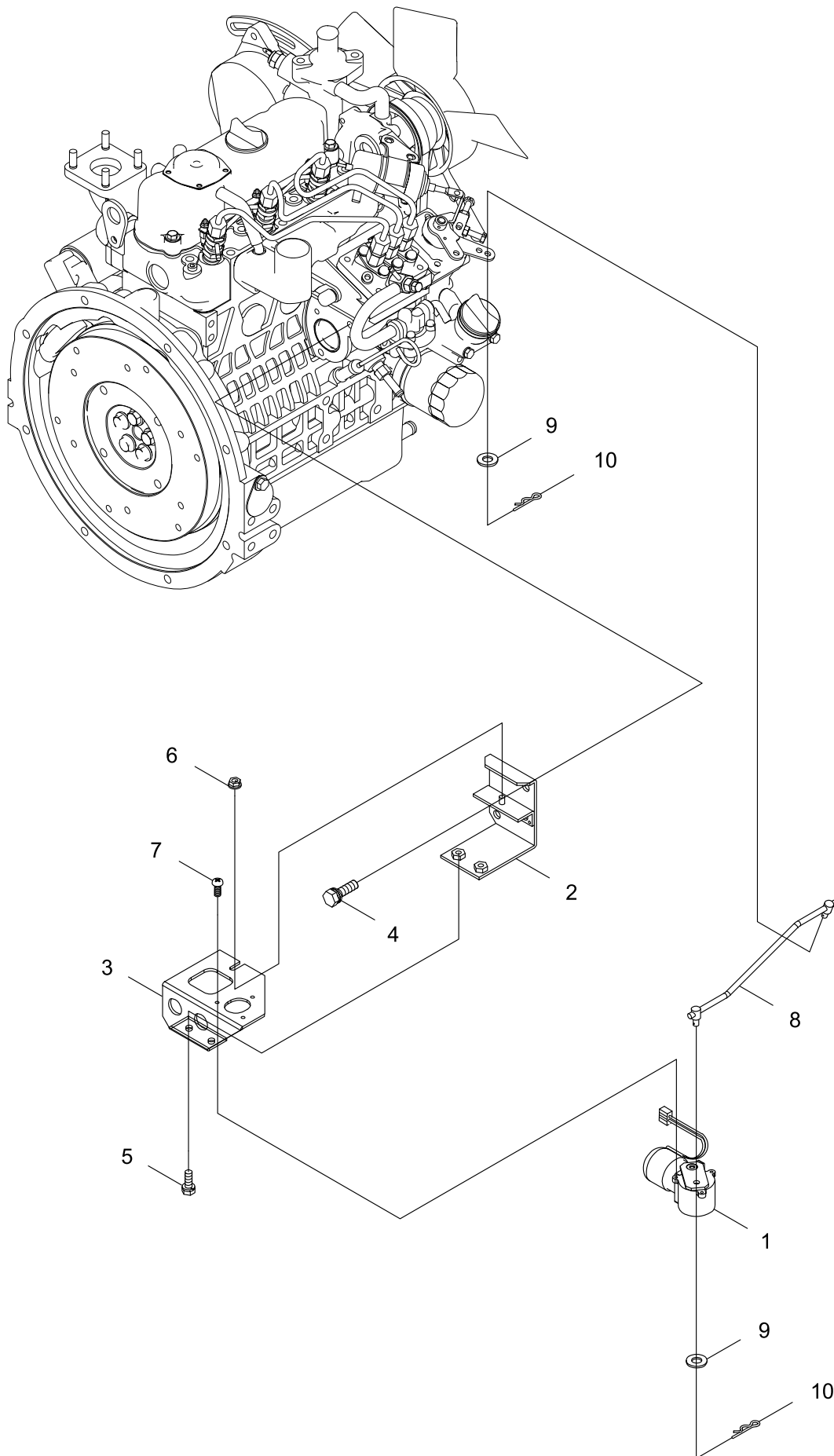
TOP COVER



TOP COVER

| KEY NO | LV(+) | Part No | Description | Qty | Standard |
|--------|-------|--------------|---------------|-----|------------|
| 1 | | V206-000580 | BOLT,10 | 2 | M10*25-SPW |
| 2 | | J493-000640 | BONNET | 1 | |
| 3 | + | J485-000610 | HINGE | 4 | |
| 4 | + | V150-002620 | TAPPING PLATE | 4 | |
| 5 | + | 900212-04010 | SCREW 4*10 | 12 | +SF4*10 |
| 6 | + | 900703-00004 | E-RING 4 SUS | 4 | CE-4 SUS |
| 7 | | V204-001600 | BOLT,6 | 9 | M6*16 |
| 8 | | J480-000791 | LID,COVER | 1 | |
| 9 | | C390-000010 | TONGUE | 1 | |
| 10 | | 91564-03012 | SCREW SW | 2 | |
| 11 | | V261-000010 | FLANGE NUT | 2 | |
| 12 | | V420-003160 | BUSH RUBBER | 2 | |
| 13 | | 900602-00008 | WASHER 8 | 2 | 8.4*17*1.6 |
| 14 | | 91036-06020 | BOLT SW | 2 | |
| 15 | | V375-000480 | COLLAR | 2 | |
| 16 | | A354-000060 | LID,FUEL TANK | 1 | |
| 17 | | C390-000010 | TONGUE | 1 | |
| 18 | | 91564-03012 | SCREW SW | 2 | |
| 19 | | V261-000010 | FLANGE NUT | 2 | |
| 20 | | V420-003160 | BUSH RUBBER | 2 | |
| 21 | | 900602-00008 | WASHER 8 | 2 | 8.4*17*1.6 |
| 22 | | 91036-06020 | BOLT SW | 2 | |
| 23 | | V375-000480 | COLLAR | 2 | |

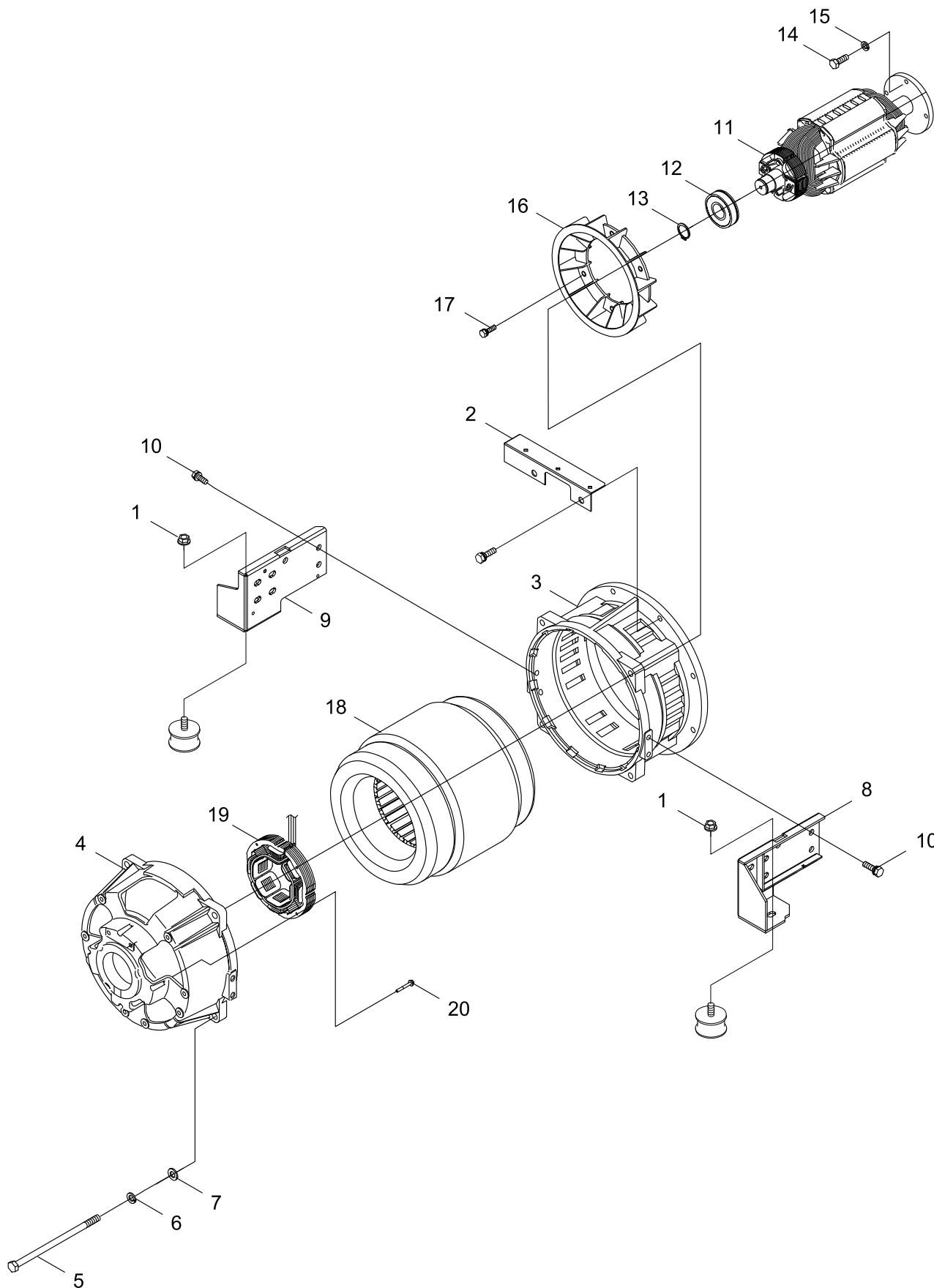
MOTOR



MOTOR

| KEY NO | LV(+) | Part No | Description | Qty | Standard |
|--------|-------|--------------|---------------|-----|--------------|
| 1 | | G280-000180 | MOTOR COMP | 1 | |
| 2 | | C527-001160 | STAY | 1 | |
| 3 | | C527-001170 | STAY | 1 | |
| 4 | | V205-001120 | BOLT,8 | 2 | BM-8*20 W SW |
| 5 | | V204-001600 | BOLT,6 | 2 | M6*16 |
| 6 | | V264-000220 | FLANGE NUT | 1 | |
| 7 | | 91564-03012 | SCREW SW | 3 | |
| 8 | | C454-000520 | ROD, THROTTLE | 1 | |
| 9 | | 900602-00006 | WASHER 6 | 2 | 6.4*12.5*1.6 |
| 10 | | 93003-06000 | SNAP PIN | 2 | |

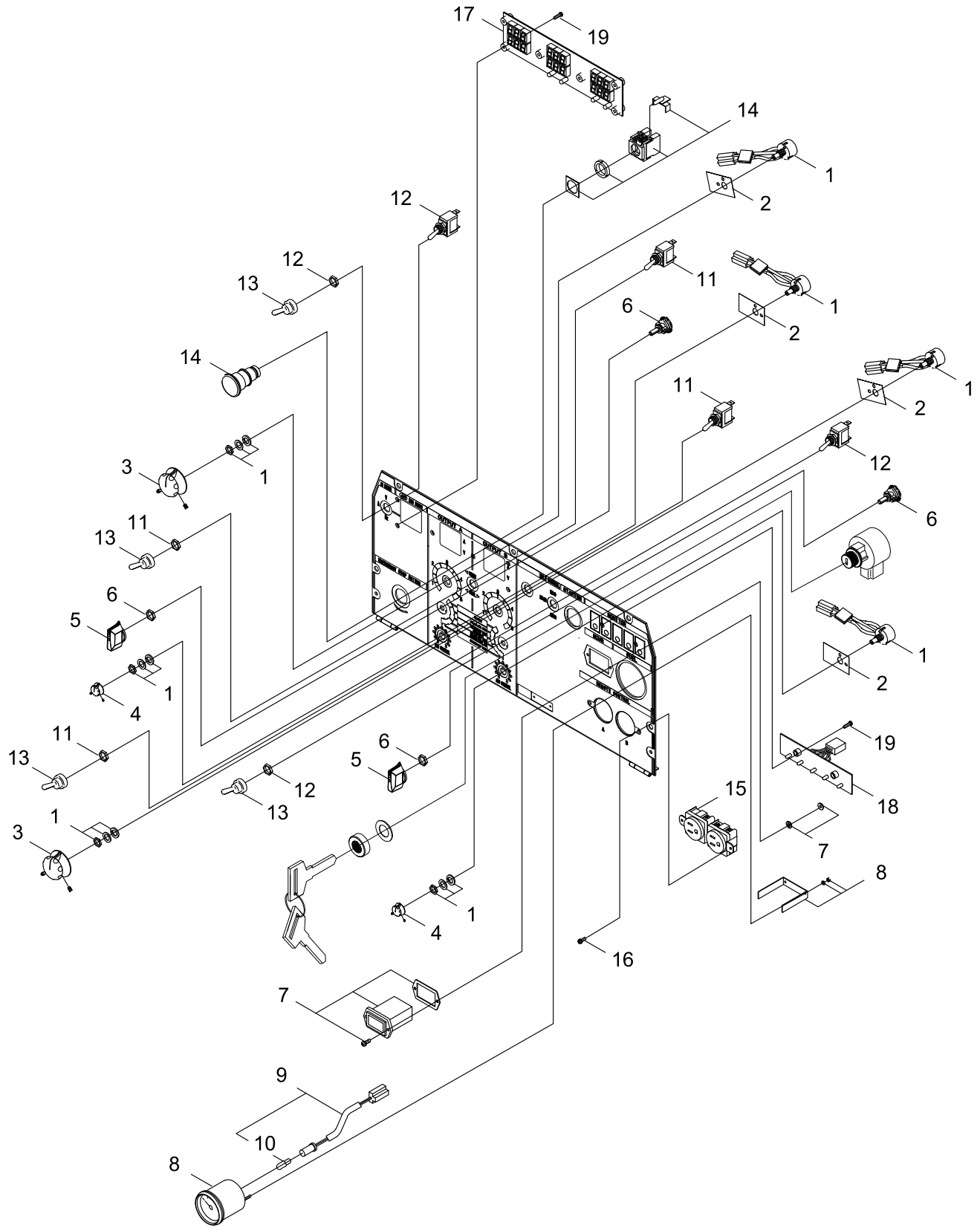
ROTOR



ROTOR

| KEY NO | LV(+) | Part No | Description | Qty | Standard |
|--------|-------|--------------|-------------------|-----|---------------------|
| 1 | | V268-000060 | FLANGE NUT | 2 | |
| 2 | | C519-004730 | STAY | 1 | |
| 3 | | M305-000080 | FRONT BRACKET | 1 | |
| 4 | | M305-000090 | REAR BRACKET | 1 | |
| 5 | | V207-000120 | BOLT | 4 | |
| 6 | | 900605-00012 | WASHER, SPRING 12 | 4 | 12 |
| 7 | | 900617-00012 | WASHER 12 | 4 | 12(13*21*2.5) |
| 8 | | C519-004741 | STAY | 1 | |
| 9 | | C527-001150 | STAY | 1 | |
| 10 | | 91024-10030 | BOLT | 8 | BM-10*30/W,SW |
| 11 | | M102-000650 | ROTOR | 1 | |
| 12 | | V592-000200 | BEARING, BALL | 1 | |
| 13 | | 92423-34000 | SNAP RING | 1 | |
| 14 | | 91014-10030 | BOLT | 4 | B-10*1.25*30 8.8 |
| 15 | | 900605-00010 | WASHER, SPRING 10 | 4 | 10 |
| 16 | | A171-000091 | FAN, COOLING | 1 | |
| 17 | | 900147-08025 | BOLT, 8*25 | 6 | 8*25 |
| 18 | | M106-001330 | STATOR | 1 | |
| 19 | | M106-001070 | STATOR | 1 | |
| 20 | | 91024-05040 | BOLT | 4 | |

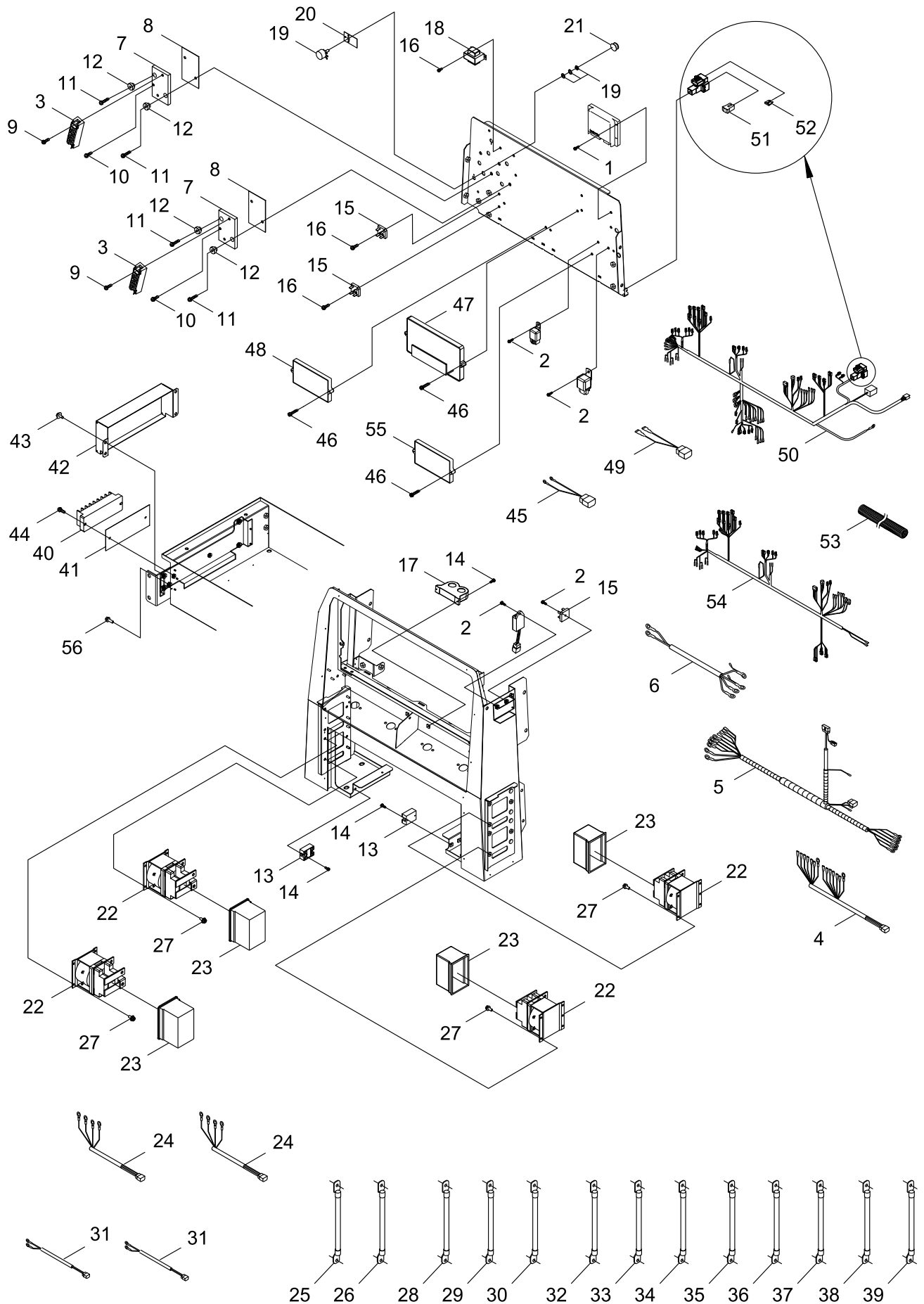
CONTROL PANEL



CONTROL PANEL

| KEY NO | LV(+) | Part No | Description | Qty | Standard |
|--------|-------|--------------|-----------------|-----|--------------------|
| 1 | | M112-000110 | VOLUME | 4 | RV24YN205 B 10K |
| 2 | | M702-000050 | INS PAPER | 4 | |
| 3 | | E145-000070 | DIAL | 2 | |
| 4 | | E145-000080 | DIAL | 2 | |
| 5 | | M613-000240 | KNOB | 2 | AT432 |
| 6 | | G334-001530 | SWITCH | 2 | |
| 7 | | G319-000060 | HOUR METER | 1 | |
| 8 | | G318-000010 | FUEL METER | 1 | |
| 9 | | G327-000340 | LAMP ASSY | 1 | |
| 10 | + | G327-000330 | PILOT LAMP | 1 | |
| 11 | | A045-000510 | TOGGLE SWITCH | 2 | |
| 12 | | G334-001110 | SWITCH | 2 | |
| 13 | | V494-000910 | CAP | 4 | |
| 14 | | G334-000770 | BUTTON SWITCH | 1 | |
| 15 | | C154-000580 | PLUG SOCKET | 1 | |
| 16 | | 900283-04008 | SCREW 4*8 | 2 | 4*8 |
| 17 | | C124-000110 | PRINTED CIRCUIT | 1 | |
| 18 | | C124-000060 | PRINT CIRCUIT | 1 | |
| 19 | | 91461-04014 | SCREW | 8 | |

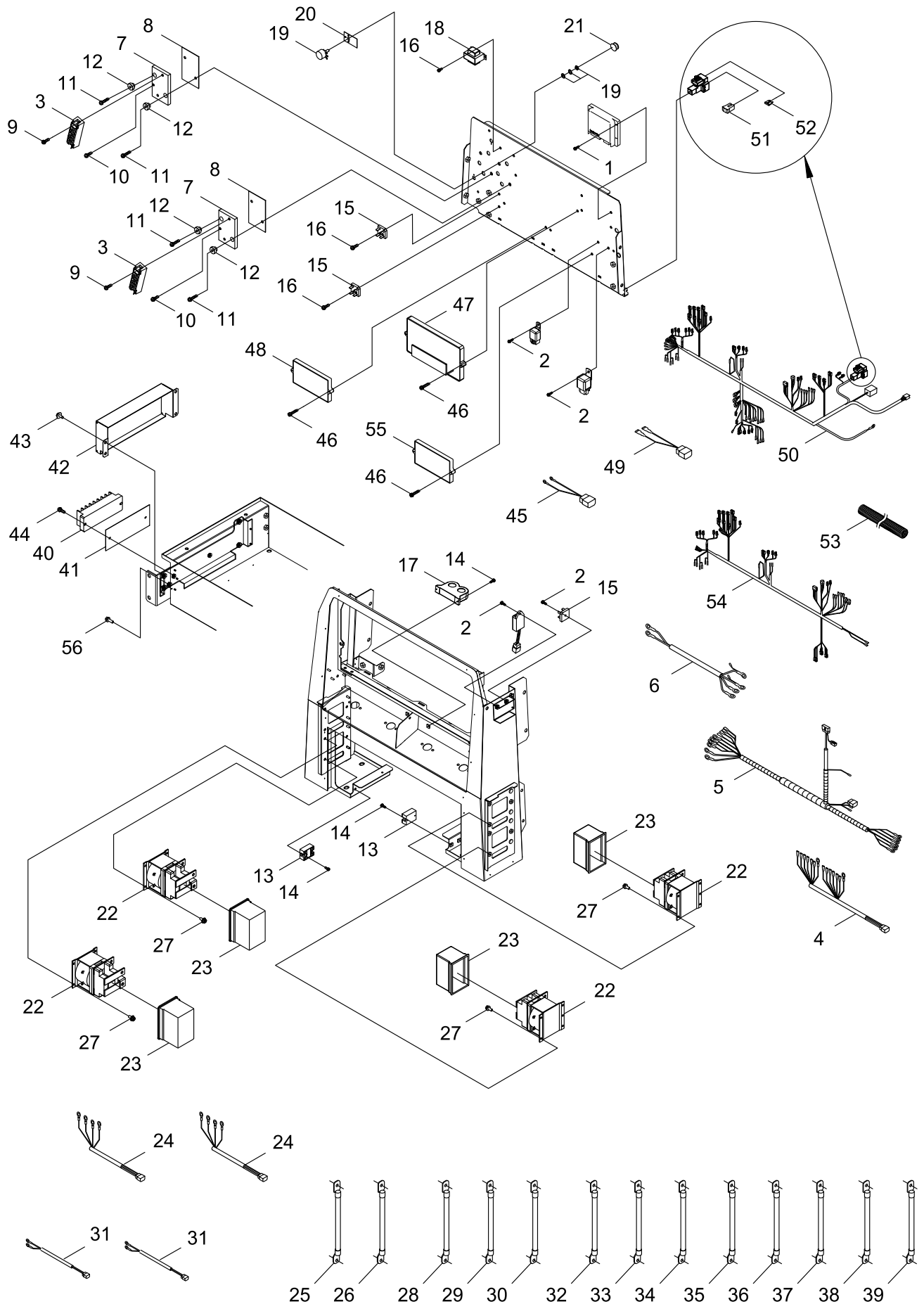
ELECTRICAL EQUIPMENT, HARNESS



ELECTRICAL EQUIPMENT, HARNESS

| KEY NO | LV(+) | Part No | Description | Qty | Standard |
|--------|-------|-------------|------------------|-----|--------------------|
| 1 | | 91564-05020 | SCREW SW | 4 | |
| 2 | | 91564-05016 | SCREW SW | 4 | |
| 3 | | M101-000000 | THYRISTOR | 2 | |
| 4 | | G363-000050 | HARNESS,WIRE | 1 | |
| 5 | | G363-000230 | HARNESS,WIRE | 1 | |
| 6 | | G363-000240 | HARNESS,WIRE | 2 | |
| 7 | | A471-000410 | STACK PLATE | 2 | |
| 8 | | C557-000220 | SHEET | 2 | |
| 9 | | 91564-06020 | SCREW SW | 4 | |
| 10 | | 91564-06012 | SCREW SW | 2 | |
| 11 | | 91565-06030 | SCREW SPW | 4 | |
| 12 | | V376-001460 | INS RING | 4 | |
| 13 | | M105-000050 | RECTIFIRE | 2 | |
| 14 | | 91564-04012 | SCREW SW | 6 | |
| 15 | | M105-000000 | RECTIFIER | 3 | |
| 16 | | 91564-04016 | SCREW SPW | 4 | |
| 17 | | M108-000060 | CT | 1 | |
| 18 | | C163-000040 | TRANS | 1 | |
| 19 | | M112-000110 | VOLUME | 1 | RV24YN205 B 10K |
| 20 | | M702-000050 | INS PAPER | 1 | |
| 21 | | E145-000080 | DIAL | 1 | |
| 22 | | G334-000850 | MAGNET SWITCH | 4 | |
| 23 | | J139-000180 | DUST COVER | 4 | |
| 24 | | G362-000290 | WIRING HARNESS | 2 | |
| 25 | | M385-000360 | LEAD | 1 | 38MM2 L690 |
| 26 | | M385-000370 | LEAD | 1 | 38MM2 L270 |
| 27 | | 91037-05012 | BOLT SPW | 12 | |
| 28 | | M385-000320 | LEAD | 1 | 38MM2 L670 |
| 29 | | M385-000330 | LEAD | 1 | 38MM2 L250 |
| 30 | | M386-000510 | LEAD | 1 | 38MM2 L660 |
| 31 | | G360-000750 | WIRING HARNESS | 2 | |
| 32 | | M385-000350 | LEAD | 1 | 38MM2 L330 |
| 33 | | M386-000520 | LEAD | 1 | 38MM2 L830 |
| 34 | | M386-000530 | LEAD | 1 | 38MM2 L760 |
| 35 | | M386-000540 | LEAD | 1 | 38MM2 L900 |
| 36 | | M385-000410 | LEAD | 1 | 38MM2 L1060 |
| 37 | | M386-000550 | LEAD | 1 | 38MM2 L840 |
| 38 | | M386-000560 | LEAD | 1 | 38MM2 L950 |
| 39 | | M386-000570 | LEAD | 1 | 38MM2 L980 |
| 40 | | M308-000510 | BLOCK,TERMINAL | 1 | BTB50C8 8P |
| 41 | | C557-000420 | PLATE,PROTECTION | 1 | |
| 42 | | M471-000100 | COVER | 1 | |
| 43 | | V204-001600 | BOLT,6 | 4 | M6*16 |
| 44 | | 91564-05025 | SCREW SPW | 2 | |
| 45 | | G363-000300 | HARNESS,WIRE | 1 | |
| 46 | | 91036-05025 | BOLT SW | 6 | |

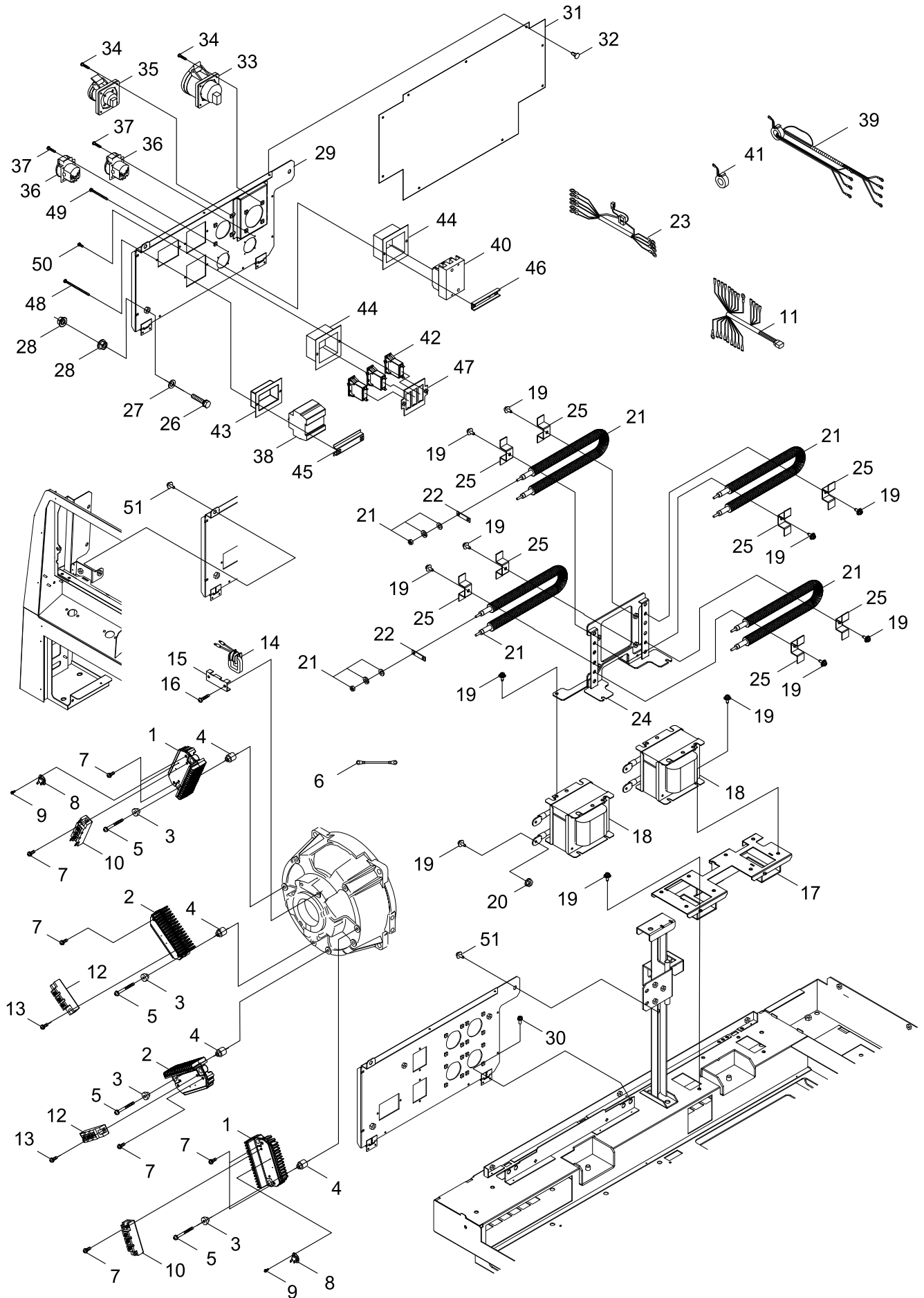
ELECTRICAL EQUIPMENT, HARNESS



ELECTRICAL EQUIPMENT, HARNESS

| KEY NO | LV(+) | Part No | Description | Qty | Standard |
|--------|-------|-------------|-----------------|-----|-------------|
| 47 | | G370-002160 | UNIT,CONTROL | 1 | |
| 48 | | G370-000770 | PRINTED CIRCUIT | 1 | |
| 49 | | G363-000280 | HARNESS,WIRE | 1 | |
| 50 | | G363-000320 | HARNESS,WIRE | 1 | |
| 51 | + | G350-000210 | FUSE | 1 | |
| 52 | + | G350-000240 | FUSE | 1 | |
| 53 | | V475-008430 | TUBE | 1 | 19*L180 |
| 54 | | G363-000390 | HARNESS,WIRE | 1 | |
| 55 | | G370-002130 | UNIT,CONTROL | 1 | |
| 56 | | V204-001610 | BOLT,6 | 1 | M6*16SPW(+) |

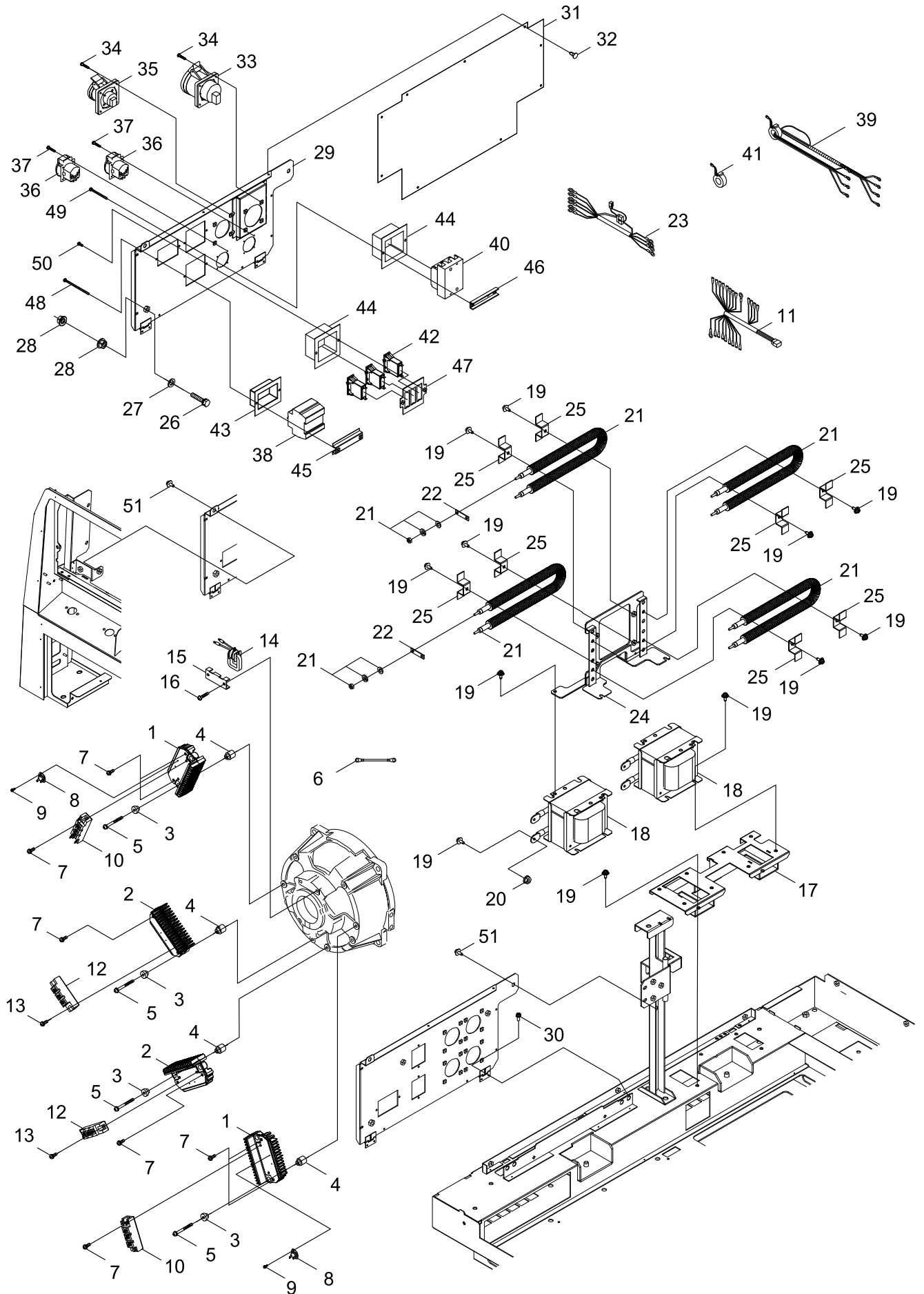
FIN



FIN

| KEY NO | LV(+) | Part No | Description | Qty | Standard |
|--------|-------|--------------|-------------------|-----|-------------|
| 1 | | M615-000100 | FIN | 2 | |
| 2 | | M615-000110 | FIN | 2 | |
| 3 | | V376-001460 | INS RING | 8 | |
| 4 | | V376-001470 | INS RING | 8 | |
| 5 | | 91564-06055 | SCREW SW | 8 | |
| 6 | | M380-000160 | LEAD WIRE | 6 | |
| 7 | | 91564-06016 | SCREW SW | 10 | |
| 8 | | M100-000000 | THERMOSTAT | 2 | |
| 9 | | 91564-03012 | SCREW SW | 4 | |
| 10 | | M101-000070 | THYRISTOR | 2 | |
| 11 | | G363-000310 | HARNESS,WIRE | 1 | |
| 12 | | M105-000010 | RECTIFIER | 2 | |
| 13 | | 91564-05016 | SCREW SW | 4 | |
| 14 | | M010-000010 | CT COMP | 1 | |
| 15 | | V150-002660 | CORE PLATE | 1 | |
| 16 | | 91341-06025 | SCREW SW | 2 | |
| 17 | | C527-001180 | STAY | 1 | |
| 18 | | M116-000000 | REACTOR | 2 | |
| 19 | | V204-001600 | BOLT,6 | 28 | M6*16 |
| 20 | | V264-000220 | FLANGE NUT | 4 | |
| 21 | | M110-000410 | RESISTER | 4 | |
| 22 | | V150-004040 | PLATE,EYE | 2 | |
| 23 | | G363-000270 | HARNESS,WIRE | 1 | |
| 24 | | V150-004030 | PLATE,EYE | 1 | |
| 25 | | V150-003230 | PLATE,EYE | 8 | |
| 26 | | 91034-08040 | BOLT SW | 1 | |
| 27 | | 900602-00008 | WASHER 8 | 1 | 8.4*17*1.6 |
| 28 | | V265-000450 | NUT,8 | 2 | |
| 29 | | J420-000390 | PLATE,ELECTRIC | 1 | |
| 30 | | 900182-04010 | BOLT | 4 | 4*10 W,SW |
| 31 | | C557-000490 | PLATE,PROTECTION | 1 | |
| 32 | | V494-000420 | CAP | 3 | |
| 33 | | C154-000280 | SOCKET | 1 | |
| 34 | | V252-000540 | SCREW TAPPING | 8 | |
| 35 | | C159-000370 | RECEPTACLE | 1 | |
| 36 | | C159-000280 | RECEPTACLE | 2 | |
| 37 | | 91493-04012 | SCREW | 8 | |
| 38 | | M111-001400 | BREAKER | 1 | FI-40/4/003 |
| 39 | | M010-000120 | CT,ASM | 1 | |
| 40 | | M111-000790 | BREAKER | 1 | |
| 41 | | M108-000190 | CT,ASM | 1 | |
| 42 | | C137-000140 | CIRCUIT PROTECTOR | 3 | |
| 43 | | J139-000220 | DUST COVER | 1 | |
| 44 | | J139-000230 | DUST COVER | 2 | |
| 45 | | C527-001190 | STAY | 1 | |
| 46 | | C519-004590 | STAY | 1 | |
| 47 | | C527-000720 | STAY | 1 | |

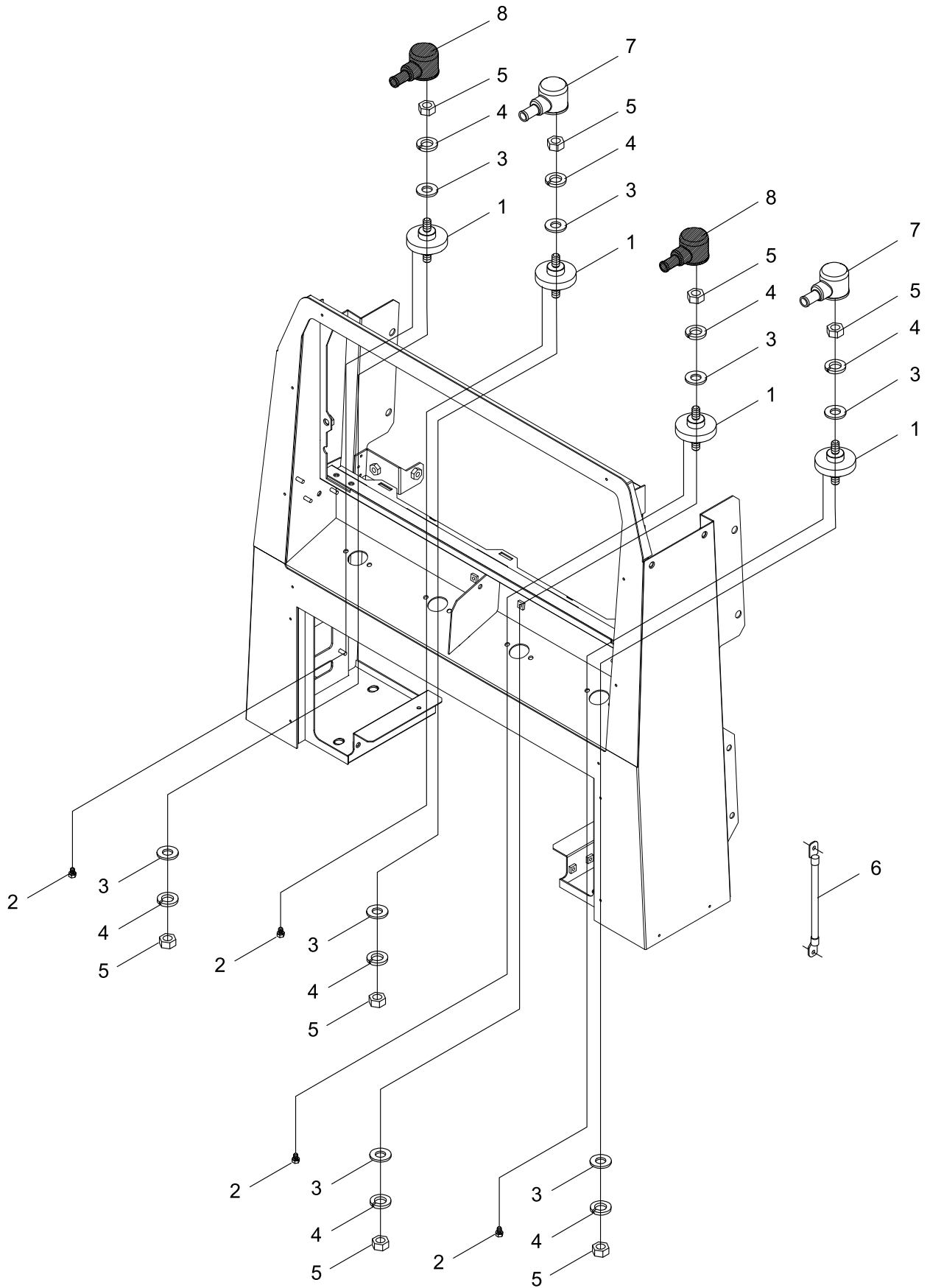
FIN



FIN

| KEY NO | LV(+) | Part No | Description | Qty | Standard |
|--------|-------|-------------|-------------|-----|----------|
| 48 | | 91461-04070 | SCREW | 2 | |
| 49 | | 91461-04045 | SCREW | 2 | |
| 50 | | 91564-04012 | SCREW SW | 2 | |
| 51 | | V204-001600 | BOLT,6 | 2 | M6*16 |

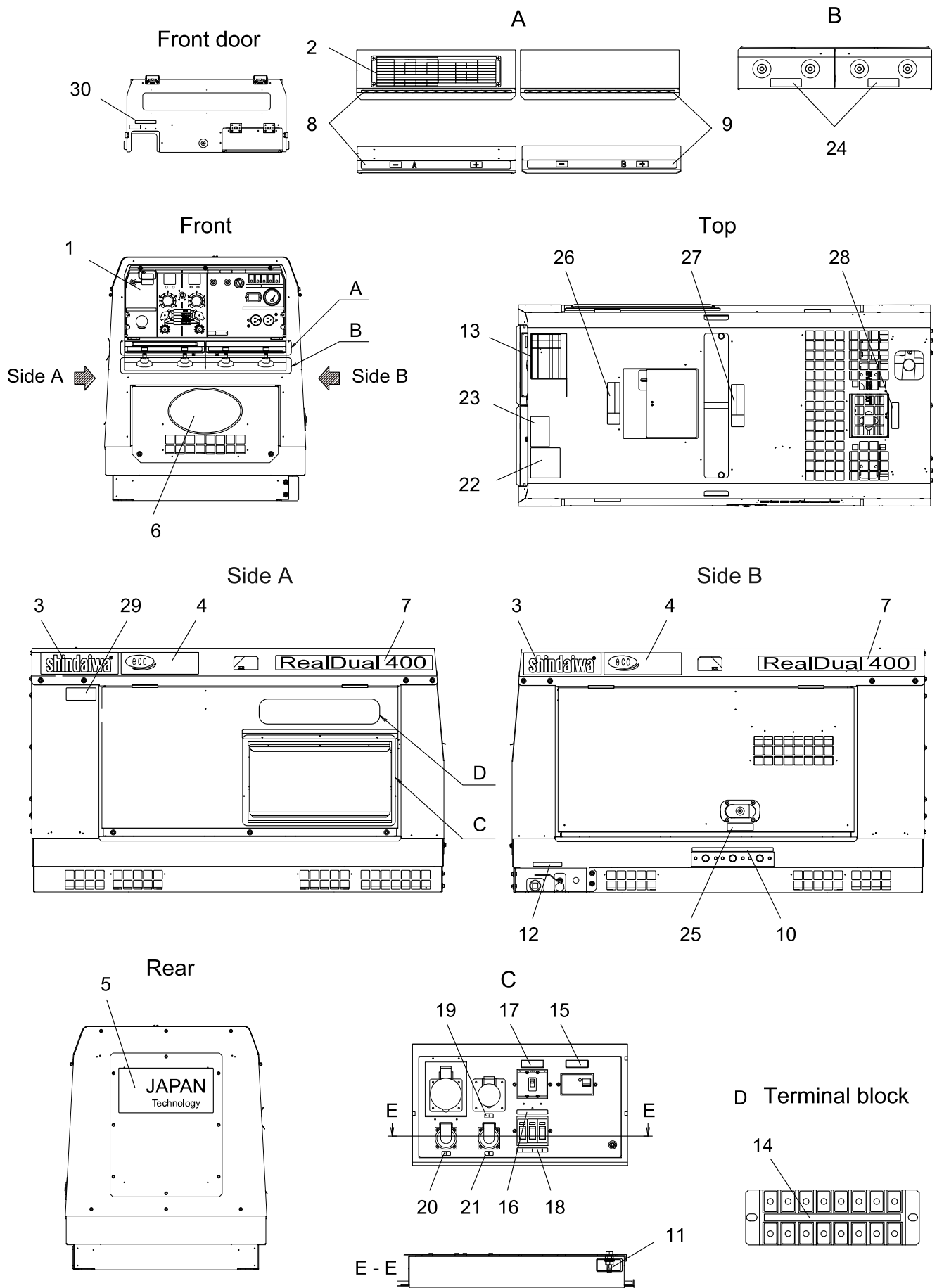
OUTPUT TERMINAL



OUTPUT TERMINAL

| KEY NO | LV(+) | Part No | Description | Qty | Standard |
|--------|-------|-------------|---------------|-----|------------|
| 1 | | M603-000010 | TERMINAL REST | 4 | |
| 2 | | 91031-05008 | BOLT SW | 8 | |
| 3 | | 92227-12000 | WASHER | 8 | |
| 4 | | 92237-12000 | WASHER SPRING | 8 | SW-12 |
| 5 | | 92005-12000 | NUT | 8 | |
| 6 | | M386-000350 | LEAD | 1 | 38MM2 L580 |
| 7 | | G305-000170 | CAP,TERMINAL | 2 | |
| 8 | | G305-000180 | CAP,TERMINAL | 2 | |

LABEL



LABEL

| KEY NO | LV(+) | Part No | Description | Qty | Standard |
|--------|-------|-------------|-----------------|-----|------------------|
| 1 | | X532-004800 | LABEL,OPERATION | 1 | |
| 2 | | X533-001580 | LABEL,SPEC | 1 | |
| 3 | | X504-006550 | LABEL,BRAND | 2 | |
| 4 | | M705-001130 | LABEL,FEATURE | 2 | |
| 5 | | M705-000980 | LABEL,FEATURE | 1 | JAPAN TECHNOLOGY |
| 6 | | M705-001010 | LABEL,FEATURE | 1 | REALDUAL |
| 7 | | M705-001020 | LABEL,FEATURE | 2 | REALDUAL 400 |
| 8 | | M707-000540 | LABEL,INST | 1 | 溶接出力A側 |
| 9 | | M707-000550 | LABEL,INST | 1 | 溶接出力B側 |
| 10 | | M707-000510 | LABEL,INST | 1 | 燃料オイル水トレ |
| 11 | | M707-000460 | LABEL,INST | 1 | アース端子 |
| 12 | | M707-001290 | LABEL,INST | 1 | |
| 13 | | M707-001300 | LABEL,INST | 1 | |
| 14 | | M707-000860 | LABEL,INST | 1 | |
| 15 | | M707-000520 | LABEL,INST | 1 | ELCB |
| 16 | | M707-000680 | LABEL,INST | 1 | |
| 17 | | M707-000690 | LABEL,INST | 1 | |
| 18 | | M707-001070 | LABEL,INST | 1 | |
| 19 | | M707-001090 | LABEL,INST | 1 | |
| 20 | | M707-001100 | LABEL,INST | 1 | |
| 21 | | M707-001110 | LABEL,INST | 1 | |
| 22 | | X505-008950 | LABEL,CAUTION | 1 | |
| 23 | | X505-008960 | LABEL,CAUTION | 1 | |
| 24 | | X505-008940 | LABEL,CAUTION | 2 | |
| 25 | | X505-008980 | LABEL,CAUTION | 1 | |
| 26 | | X505-009000 | LABEL,CAUTION | 1 | |
| 27 | | X505-009020 | LABEL,CAUTION | 1 | |
| 28 | | X505-008970 | LABEL,CAUTION | 1 | |
| 29 | | X505-009010 | LABEL,CAUTION | 1 | |
| 30 | | M707-001080 | LABEL,INST | 1 | |

NUMERICAL PARTS INDEX

| Part No | Part description | Page | Part No | Part description | Page | Part No | Part description | Page |
|---------------|-------------------|------|--------------|------------------|------|--------------|-------------------|------|
| 900147-0-8025 | BOLT, 8*25 | 22 | 91034-08-040 | BOLT SW | 30 | 91564-05-020 | SCREW SW | 26 |
| 900182-0-4010 | BOLT | 12 | 91036-05-025 | BOLT SW | 26 | 91564-05-025 | SCREW SPW | 26 |
| 900182-0-4010 | BOLT | 30 | 91036-06-020 | BOLT SW | 2 | 91564-06-012 | SCREW SW | 26 |
| 900209-0-5010 | SCREW, 5*10 | 16 | 91036-06-020 | BOLT SW | 10 | 91564-06-016 | SCREW SW | 30 |
| 900212-0-4010 | SCREW 4*10 | 16 | 91036-06-020 | BOLT SW | 18 | 91564-06-020 | SCREW SW | 26 |
| 900212-0-4010 | SCREW 4*10 | 18 | 91036-06-030 | BOLT SW | 10 | 91564-06-055 | SCREW SW | 30 |
| 900283-0-4008 | SCREW 4*8 | 24 | 91037-04-010 | BOLT | 12 | 91565-06-030 | SCREW SPW | 26 |
| 900500-0-0008 | NUT 8 | 14 | 91037-05-012 | BOLT SPW | 26 | 92005-12-000 | NUT | 34 |
| 900500-0-0010 | NUT 10 | 16 | 91341-06-025 | SCREW SW | 30 | 92190-08-000 | WING NUT | 14 |
| 900602-0-0006 | WASHER 6 | 20 | 91381-04-020 | SCREW TAPPING | 12 | 92227-12-000 | WASHER | 34 |
| 900602-0-0008 | WASHER 8 | 10 | 91461-04-014 | SCREW | 24 | 92237-12-000 | WASHER SPRING | 34 |
| 900602-0-0008 | WASHER 8 | 18 | 91461-04-045 | SCREW | 32 | 92423-34-000 | SNAP RING | 22 |
| 900602-0-0008 | WASHER 8 | 30 | 91461-04-070 | SCREW | 32 | 93003-06-000 | SNAP PIN | 20 |
| 900605-0-0010 | WASHER, SPRING 10 | 22 | 91463-05-012 | SCREW TRUSS | 6 | A045-00-0510 | TOGGLE SWITCH | 24 |
| 900605-0-0012 | WASHER, SPRING 12 | 22 | 91493-04-012 | SCREW | 30 | A171-00-0091 | FAN, COOLING | 22 |
| 900617-0-0010 | WASHER 10 | 14 | 91564-03-010 | SCREW SPW | 12 | A300-00-1430 | MUFFLER | 4 |
| 900617-0-0012 | WASHER 12 | 22 | 91564-03-012 | SCREW SW | 18 | A354-00-0060 | LID,FUEL TANK | 18 |
| 900703-0-0004 | E-RING 4 SUS | 18 | 91564-03-012 | SCREW SW | 20 | A369-00-0180 | STRAINER | 6 |
| 91014-10-030 | BOLT | 22 | 91564-03-012 | SCREW SW | 30 | A422-00-0440 | BRACKET,COVER | 12 |
| 91022-10-050 | BOLT SW | 14 | 91564-04-012 | SCREW SW | 26 | A471-00-0410 | STACK PLATE | 26 |
| 91024-05-040 | BOLT | 22 | 91564-04-012 | SCREW SW | 32 | C124-00-0060 | PRINT CIRCUIT | 24 |
| 91024-10-030 | BOLT | 16 | 91564-04-016 | SCREW SPW | 26 | C124-00-0110 | PRINTED CIRCUIT | 24 |
| 91024-10-030 | BOLT | 22 | 91564-05-016 | SCREW SW | 26 | C137-00-0140 | CIRCUIT PROTECTOR | 30 |
| 91031-05-008 | BOLT SW | 34 | 91564-05-016 | SCREW SW | 30 | C154-00-0280 | SOCKET | 30 |

NUMERICAL PARTS INDEX

| Part No | Part description | Page | Part No | Part description | Page | Part No | Part description | Page |
|--------------|-------------------|------|--------------|------------------|------|--------------|------------------|------|
| C154-00-0580 | PLUG SOCKET | 24 | C619-00-0490 | BASE,FRAME | 14 | G318-00-0010 | FUEL METER | 24 |
| C159-00-0280 | RECEPTACLE | 30 | C701-00-0900 | HANDLE | 16 | G319-00-0060 | HOUR METER | 24 |
| C159-00-0370 | RECEPTACLE | 30 | E145-00-0070 | DIAL | 24 | G327-00-0330 | PILOT LAMP | 24 |
| C163-00-0040 | TRANS | 26 | E145-00-0080 | DIAL | 24 | G327-00-0340 | LAMP ASSY | 24 |
| C165-00-0200 | PANEL,OPERATION | 12 | E145-00-0080 | DIAL | 26 | G334-00-0770 | BUTTON SWITCH | 24 |
| C390-00-0010 | TONGUE | 12 | E265-00-0310 | VALVE | 14 | G334-00-0850 | MAGNET SWITCH | 26 |
| C390-00-0010 | TONGUE | 18 | E325-00-0100 | FUEL GUAGE | 6 | G334-00-1080 | SWITCH | 14 |
| C454-00-0520 | ROD, THROTTLE | 20 | E328-00-0330 | PLUG,DRAIN | 14 | G334-00-1110 | SWITCH | 24 |
| C519-00-4590 | STAY | 30 | E328-00-0340 | PLUG,DRAIN | 14 | G334-00-1530 | SWITCH | 24 |
| C519-00-4721 | STAY | 10 | G121-00-0420 | STAY,ENGINE | 4 | G350-00-0210 | FUSE | 28 |
| C519-00-4730 | STAY | 22 | G126-00-0570 | BRACKET,TANK | 6 | G350-00-0240 | FUSE | 28 |
| C519-00-4741 | STAY | 22 | G231-00-0540 | FLEXIBLE TUBE | 4 | G360-00-0750 | WIRING HARNESS | 26 |
| C527-00-0720 | STAY | 30 | G231-00-0560 | EXHAUST PIPE | 4 | G362-00-0290 | WIRING HARNESS | 26 |
| C527-00-1150 | STAY | 22 | G231-00-1040 | PIPE,EXHAUST | 4 | G363-00-0050 | HARNESS,WIRE | 26 |
| C527-00-1160 | STAY | 20 | G250-00-0820 | TANK,FUEL | 6 | G363-00-0230 | HARNESS,WIRE | 26 |
| C527-00-1170 | STAY | 20 | G255-00-0110 | TANK CAP | 6 | G363-00-0240 | HARNESS,WIRE | 26 |
| C527-00-1180 | STAY | 30 | G257-00-0760 | STOPPER | 16 | G363-00-0270 | HARNESS,WIRE | 30 |
| C527-00-1190 | STAY | 30 | G280-00-0180 | MOTOR COMP | 20 | G363-00-0280 | HARNESS,WIRE | 28 |
| C527-00-1540 | STAY | 12 | G303-00-0290 | HOLDER,BATTERY | 14 | G363-00-0300 | HARNESS,WIRE | 26 |
| C557-00-0220 | SHEET | 26 | G304-00-0020 | TERMINAL + | 14 | G363-00-0310 | HARNESS,WIRE | 30 |
| C557-00-0420 | PLATE, PROTECTION | 26 | G304-00-0030 | TERMINAL - | 14 | G363-00-0320 | HARNESS,WIRE | 28 |
| C557-00-0490 | PLATE, PROTECTION | 30 | G305-00-0030 | TERMINAL CAP | 14 | G363-00-0390 | HARNESS,WIRE | 28 |
| C603-00-0290 | SIDE PLATE | 14 | G305-00-0170 | CAP,TERMINAL | 34 | G370-00-0770 | PRINTED CIRCUIT | 28 |
| C603-00-0920 | PLATE, SIDE | 14 | G305-00-0180 | CAP,TERMINAL | 34 | G370-00-2130 | UNIT,CONTROL | 28 |

NUMERICAL PARTS INDEX

| Part No | Part description | Page | Part No | Part description | Page | Part No | Part description | Page |
|--------------|------------------|------|--------------|------------------|------|--------------|------------------|------|
| G370-00-2160 | UNIT,CONTROL | 28 | M010-00-0120 | CT,ASM | 30 | M385-00-0320 | LEAD | 26 |
| J139-00-0180 | DUST COVER | 26 | M100-00-0000 | THERMOSTAT | 30 | M385-00-0330 | LEAD | 26 |
| J139-00-0220 | DUST COVER | 30 | M101-00-0000 | THYRISTOR | 26 | M385-00-0350 | LEAD | 26 |
| J139-00-0230 | DUST COVER | 30 | M101-00-0070 | THYRISTOR | 30 | M385-00-0360 | LEAD | 26 |
| J405-00-3150 | FRAME | 14 | M102-00-0650 | ROTOR | 22 | M385-00-0370 | LEAD | 26 |
| J415-00-0950 | STAY,BONNET | 14 | M105-00-0000 | RECTIFIER | 26 | M385-00-0410 | LEAD | 26 |
| J415-00-0960 | STAY,BONNET | 14 | M105-00-0010 | RECTIFIER | 30 | M386-00-0340 | LEAD | 14 |
| J420-00-0090 | TERMINAL PLATE | 14 | M105-00-0050 | RECTIFIRE | 26 | M386-00-0350 | LEAD | 34 |
| J420-00-0390 | PLATE,ELECTRIC | 30 | M106-00-1070 | STATOR | 22 | M386-00-0510 | LEAD | 26 |
| J447-00-0690 | GUARD | 10 | M106-00-1330 | STATOR | 22 | M386-00-0520 | LEAD | 26 |
| J447-00-1021 | GUARD | 14 | M108-00-0060 | CT | 26 | M386-00-0530 | LEAD | 26 |
| J447-00-1220 | GUARD | 14 | M108-00-0190 | CT,ASM | 30 | M386-00-0540 | LEAD | 26 |
| J480-00-0791 | LID,COVER | 18 | M110-00-0410 | RESISTER | 30 | M386-00-0550 | LEAD | 26 |
| J485-00-0570 | HINGE | 12 | M111-00-0790 | BREAKER | 30 | M386-00-0560 | LEAD | 26 |
| J485-00-0610 | HINGE | 18 | M111-00-1400 | BREAKER | 30 | M386-00-0570 | LEAD | 26 |
| J485-00-0760 | HINGE | 12 | M112-00-0110 | VOLUME | 24 | M402-00-0820 | DOOR,FRONT | 12 |
| J493-00-0620 | BONNET | 10 | M112-00-0110 | VOLUME | 26 | M404-00-1240 | DOOR,LEFT | 16 |
| J493-00-0630 | BONNET | 10 | M116-00-0000 | REACTOR | 30 | M406-00-1720 | DOOR,RIGHT | 16 |
| J493-00-0640 | BONNET | 18 | M305-00-0080 | FRONT BRACKET | 22 | M416-00-0070 | STOPPER,BAND | 12 |
| J500-00-0640 | PANEL | 10 | M305-00-0090 | REAR BRACKET | 22 | M470-00-2280 | COVER | 10 |
| J500-00-0650 | PANEL | 10 | M308-00-0510 | BLOCK,TERMINAL | 26 | M470-00-2290 | COVER | 10 |
| J500-00-0980 | PANEL | 12 | M380-00-0160 | LEAD WIRE | 30 | M470-00-2920 | COVER | 16 |
| J500-00-0990 | PANEL | 12 | M380-00-0170 | LEAD WIRE | 14 | M471-00-0100 | COVER | 26 |
| M010-00-0010 | CT COMP | 30 | M385-00-0260 | LEAD | 14 | M471-00-0350 | COVER | 12 |

NUMERICAL PARTS INDEX

| Part No | Part description | Page | Part No | Part description | Page | Part No | Part description | Page |
|--------------|------------------|------|--------------|------------------|------|--------------|------------------|------|
| M603-00-0010 | TERMINAL REST | 34 | M707-00-1300 | LABEL,INST | 36 | V204-00-1610 | BOLT,6 | 14 |
| M613-00-0240 | KNOB | 24 | V104-00-1740 | GASKET | 4 | V204-00-1610 | BOLT,6 | 28 |
| M615-00-0100 | FIN | 30 | V107-00-0140 | PACKING | 6 | V205-00-1120 | BOLT,8 | 2 |
| M615-00-0110 | FIN | 30 | V145-00-0510 | TANK BUSH | 6 | V205-00-1120 | BOLT,8 | 4 |
| M702-00-0050 | INS PAPER | 24 | V150-00-2620 | TAPPING PLATE | 16 | V205-00-1120 | BOLT,8 | 8 |
| M702-00-0050 | INS PAPER | 26 | V150-00-2620 | TAPPING PLATE | 18 | V205-00-1120 | BOLT,8 | 10 |
| M705-00-0980 | LABEL,FEATURE | 36 | V150-00-2660 | CORE PLATE | 30 | V205-00-1120 | BOLT,8 | 14 |
| M705-00-1010 | LABEL,FEATURE | 36 | V150-00-3140 | PLATE,EYE | 14 | V205-00-1120 | BOLT,8 | 16 |
| M705-00-1020 | LABEL,FEATURE | 36 | V150-00-3230 | PLATE,EYE | 30 | V205-00-1120 | BOLT,8 | 20 |
| M705-00-1130 | LABEL,FEATURE | 36 | V150-00-4030 | PLATE,EYE | 30 | V206-00-0580 | BOLT,10 | 14 |
| M707-00-0460 | LABEL,INST | 36 | V150-00-4040 | PLATE,EYE | 30 | V206-00-0580 | BOLT,10 | 18 |
| M707-00-0510 | LABEL,INST | 36 | V204-00-1600 | BOLT,6 | 2 | V207-00-0120 | BOLT | 22 |
| M707-00-0520 | LABEL,INST | 36 | V204-00-1600 | BOLT,6 | 6 | V240-00-0150 | BOLT BATTERY | 14 |
| M707-00-0540 | LABEL,INST | 36 | V204-00-1600 | BOLT,6 | 10 | V252-00-0540 | SCREW TAPPING | 30 |
| M707-00-0550 | LABEL,INST | 36 | V204-00-1600 | BOLT,6 | 12 | V261-00-0010 | FLANGE NUT | 12 |
| M707-00-0680 | LABEL,INST | 36 | V204-00-1600 | BOLT,6 | 14 | V261-00-0010 | FLANGE NUT | 18 |
| M707-00-0690 | LABEL,INST | 36 | V204-00-1600 | BOLT,6 | 16 | V262-00-0190 | FLANGE NUT | 12 |
| M707-00-0860 | LABEL,INST | 36 | V204-00-1600 | BOLT,6 | 18 | V263-00-0330 | FLANGE NUT | 16 |
| M707-00-1070 | LABEL,INST | 36 | V204-00-1600 | BOLT,6 | 20 | V263-00-0340 | FLANGE NUT | 12 |
| M707-00-1080 | LABEL,INST | 36 | V204-00-1600 | BOLT,6 | 26 | V264-00-0220 | FLANGE NUT | 10 |
| M707-00-1090 | LABEL,INST | 36 | V204-00-1600 | BOLT,6 | 30 | V264-00-0220 | FLANGE NUT | 20 |
| M707-00-1100 | LABEL,INST | 36 | V204-00-1600 | BOLT,6 | 32 | V264-00-0220 | FLANGE NUT | 30 |
| M707-00-1110 | LABEL,INST | 36 | V204-00-1610 | BOLT,6 | 10 | V265-00-0290 | FLANGE NUT | 4 |
| M707-00-1290 | LABEL,INST | 36 | V204-00-1610 | BOLT,6 | 12 | V265-00-0450 | NUT,8 | 30 |

NUMERICAL PARTS INDEX

| Part No | Part description | Page | Part No | Part description | Page | Part No | Part description | Page |
|--------------|------------------|------|--------------|------------------|------|--------------|------------------|------|
| V268-00-0060 | FLANGE NUT | 4 | V476-00-0270 | TUBE | 2 | X532-00-4800 | LABEL,OPERATION | 12 |
| V268-00-0060 | FLANGE NUT | 22 | V476-00-0280 | TUBE | 8 | X532-00-4800 | LABEL,OPERATION | 36 |
| V375-00-0410 | COLLAR | 16 | V481-00-0170 | BATTERY 46B24L | 14 | X533-00-1580 | LABEL,SPEC | 36 |
| V375-00-0460 | COLLAR | 16 | V489-00-0120 | CHAIN | 6 | | | |
| V375-00-0480 | COLLAR | 10 | V494-00-0420 | CAP | 12 | | | |
| V375-00-0480 | COLLAR | 18 | V494-00-0420 | CAP | 30 | | | |
| V376-00-1460 | INS RING | 26 | V494-00-0910 | CAP | 24 | | | |
| V376-00-1460 | INS RING | 30 | V495-00-2100 | CLAMP | 4 | | | |
| V376-00-1470 | INS RING | 30 | V500-00-0020 | SEAL WASHER | 6 | | | |
| V420-00-3070 | STAND RUBBER | 12 | V540-00-0360 | SHEET | 6 | | | |
| V420-00-3080 | BUSH RUBBER | 16 | V542-00-0040 | SEAL | 2 | | | |
| V420-00-3140 | AV RUBBER | 14 | V542-00-0050 | SEAL | 2 | | | |
| V420-00-3160 | BUSH RUBBER | 10 | V542-00-0080 | SEAL | 6 | | | |
| V420-00-3160 | BUSH RUBBER | 18 | V592-00-0200 | BEARING, BALL | 22 | | | |
| V420-00-3170 | RUBBER PIPE | 10 | V649-00-0130 | BLIND RIVET | 12 | | | |
| V420-00-3200 | CUSHION | 12 | X504-00-6550 | LABEL,BRAND | 36 | | | |
| V475-00-6170 | TUBE | 8 | X505-00-8940 | LABEL,CAUTION | 36 | | | |
| V475-00-7230 | TUBE | 6 | X505-00-8950 | LABEL,CAUTION | 36 | | | |
| V475-00-7690 | TUBE | 14 | X505-00-8960 | LABEL,CAUTION | 36 | | | |
| V475-00-8020 | TUBE | 14 | X505-00-8970 | LABEL,CAUTION | 36 | | | |
| V475-00-8030 | TUBE | 8 | X505-00-8980 | LABEL,CAUTION | 36 | | | |
| V475-00-8430 | TUBE | 28 | X505-00-9000 | LABEL,CAUTION | 36 | | | |
| V476-00-0190 | TUBE | 8 | X505-00-9010 | LABEL,CAUTION | 36 | | | |
| V476-00-0260 | TUBE | 2 | X505-00-9020 | LABEL,CAUTION | 36 | | | |