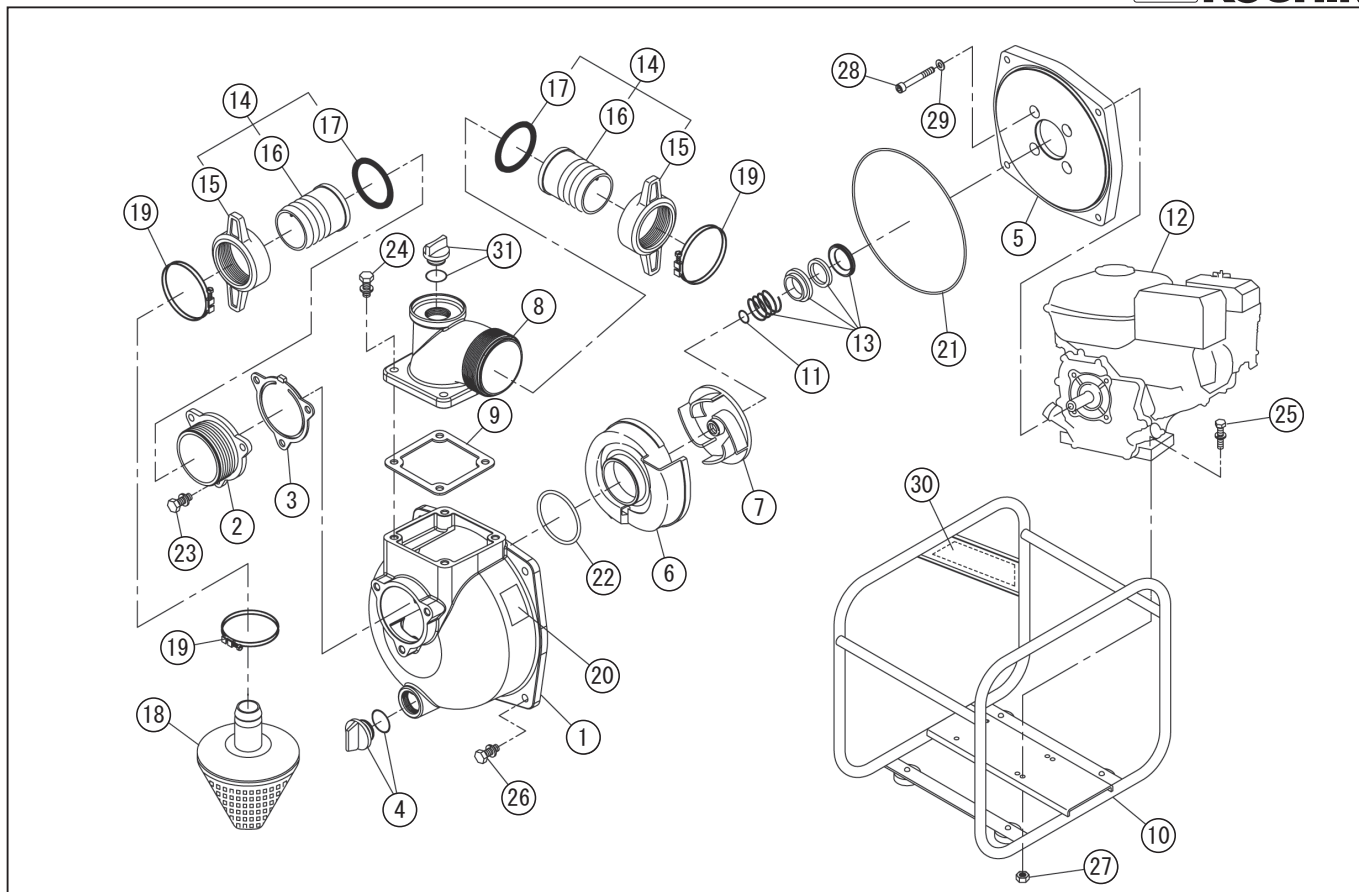


DWG No.012928101 MODEL : SEH-50JP FORM : SEH-50JP-BAA-0

No.	PARTS CODE	PARTS NAME	QTY	MATERIAL/SIZE	REMARKS
1	0122452	SE-50J PUMP CASE	1	ADC	
2	0112662	SE-50X SUCTION FLANGE	1	ADC	
3	0112665	CHECK VALVE	1	NBR	
4	0118078	20A PLUG SET	1		
5	0121226	SEV-50X FLANGE BRACKET	1	ADC	
6	0120933	VOLUTE CASING	1	FC200	
7	0121227	IMPELLER	1	FC200	
8	0122221	SE-50J DELIVERY FLANGE NEW	1	ADC	
9	0110541	FLANGE PACKING	1	CR	
10	0127048	BASE SET	1		
11	0110491	IMPELLER ADJUSTING WASHER	3	T0.3	
12	0122186	ENGINE	1	HONDA GP160H WH1	
13	0110664	SE-80L MECHANICAL SEAL	1	φ 20	
14	0127122	COUPLING SET	2		
15	0122496	COUPLING	2	ABS	
16	0122497	NIPPLE	2	ABS	
17	0113391	COUPLING PACKING	2	NBR	
18	0127123	STRAINER SET	1	PP	
19	0120086	HOSE BAND	3	φ 60	
20	0122505	NAME PLATE	1		
21	0115014	O-RING 1517-42.5	1	NBR	
22	0112792	O-RING P54	1	NBR	
23	743119045	BOLT	3	SWRM M8X20	
24	743119047	BOLT	4	SWRM M8X25	
25	743119051	BOLT	4	SWRM M8X35	
26	743119046	BOLT	4	SWRM M8X22	
27	827419008	NUT	4	SWRM M8	
28	734532076	SOCKET BOLT	4	SCM CS M8X60	
29	854255008	SEAL WASHER	4	φ 8	
30	0122307	SIDE PANEL LABEL	1		

◆ Bare engine can not be supplied



DWG No.012928101 MODEL : SEH-50JP FORM : SEH-50JP-BAA-0

No.	PARTS CODE	PARTS NAME	QTY	MATERIAL/SIZE	REMARKS
31	0118078	20A PLUG SET	1		

◆ Bare engine can not be supplied