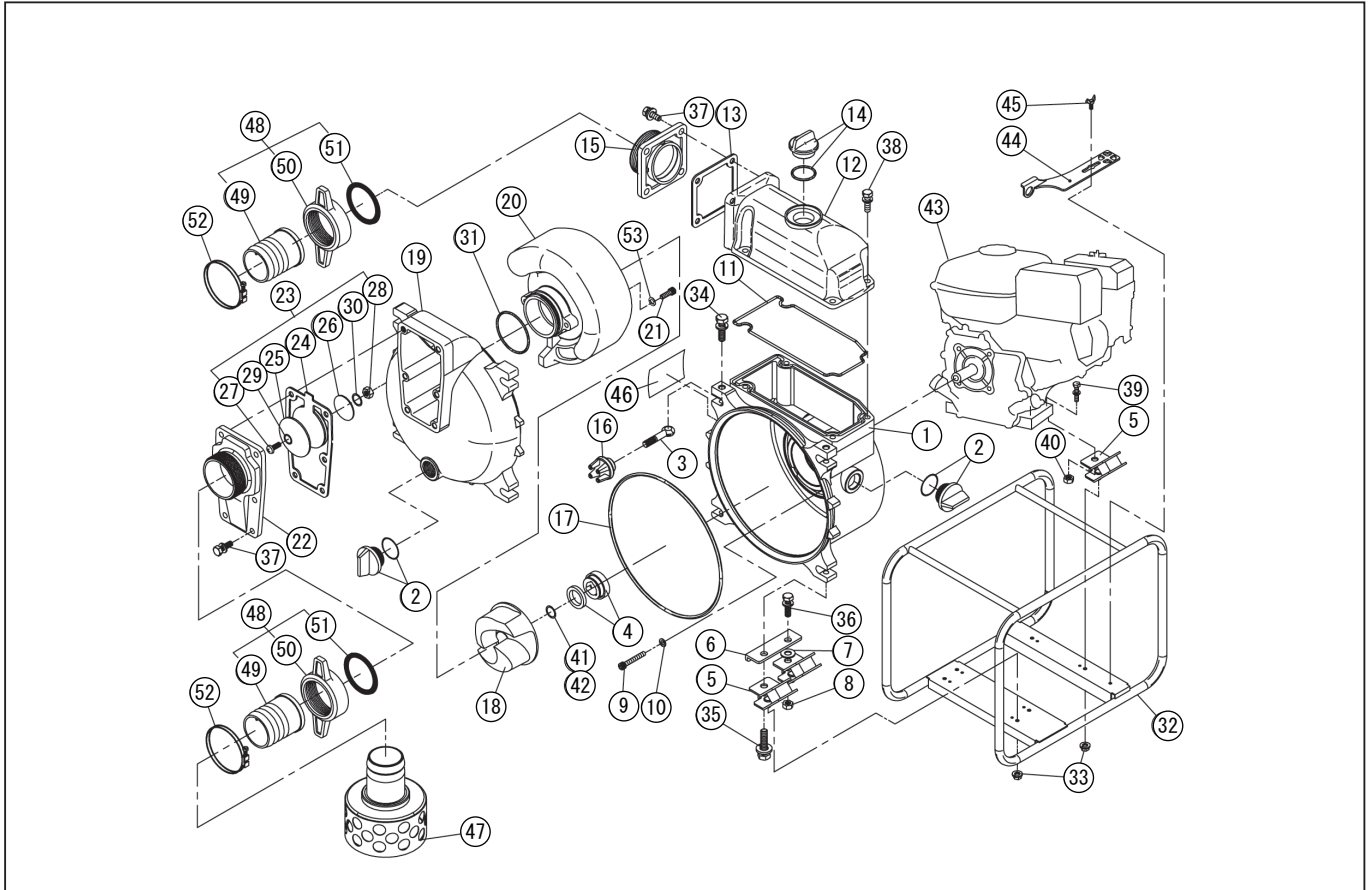


DWG No.012877811 MODEL : KTH-100X FORM : KTH-100X-BAF-2(GX34OUT2)

No.	PARTS CODE	PARTS NAME	QTY	MATERIAL/SIZE	REMARKS
1	0116150	PUMP BODY	1	ADC	
2	0118079	25A PLUG SET	2		
3	0115580	COVER BOLT	4	S35C	
4	0115678	MECHANICAL SEAL	1	HJ-25(B)BSIC	
5	0116172	CUSHIN RUBBER	6	CR 60°	
6	0116273	RUBBER MOUNT	2	SPC T4.5	
7	846211012	WASHER	2	12	
8	827419012	HXAGON NUT	2	M12 SWRM	
9	0116492	HEXAGON SOCKET BOLT	4	M8×50 SCM	
10	0116493	WASHER	4	φ 8 A1100 PH14	
11	0115548	HEAD PACKING	1	NBR70°	
12	0116148	DELIVERY HOUSING	1	ADC	
13	0110750	DELIVERY FLANGE PACKING	1	CR	
14	0118450	32A PLUG SET	1		
15	0116188	DELIVERY FLANGE(PS)	1		
16	0115590	KNOB	4		
17	0115579	FRONT COVER PACKING	1	NBR	
18	0115626	IMPELLER	1	HRFC	
19	0116490	FRONT COVER	1	ADC	
20	0116488	VOLUTE CASING	1	FCD450	
21	0121539	HEXAGON SOCKET BOLT	3	M8×35 A2-80	
22	0116268	SUCTION FLANGE	1	ADC	
23	0118261	CHECK VALVE ASSY	1		
24	0110751	CHECK VALVE PACKING	1	CR	
25	0111216	OUTER WEIGHT	1	SPC	
26	0110474	INNER WEIGHT	1	SPC	
27	703319129	+SCREW	1	M8X20 SWRM	
28	827419008	HXAGON NUT	1	M8 SWRM	
29	854255008	SEAL WASHER	1	φ 8	
30	843822008	SPRING WASHER	1	φ 8	

◆ Bare engine can not be supplied



DWG No.012877811 MODEL : KTH-100X FORM : KTH-100X-BAF-2(GX340UT2)

No.	PARTS CODE	PARTS NAME	QTY	MATERIAL/SIZE	REMARKS
31	0116270	O-RING	1	NBR ϕ 104.5 \times ϕ 3.5	
32	0117702	BASE SET	1		
33	842319008	SPRING NUT	6	M8 SWRM	
34	743119083	HEXAGON BOLT	2	M12X45 SWRM	
35	743119084	HEXAGON BOLT	2	M12X50 SWRM	
36	743119076	HEXAGON BOLT	2	M12X25 SWRM	
37	743119080	HEXAGON BOLT	10	M12X35 SWRM	
38	743119063	HEXAGON BOLT	4	M10X30 SWRM	
39	743119067	HEXAGON BOLT	2	M10X40 SWRM	
40	827419010	HEXAGON NUT	2	M101 SWRM	
41	0110561	IMPELLER ADJUSTING WASHER	1	0.3MM BSP	
42	0116405	IMPELLER ADJUSTING WASHER	2	0.1MM BSP1	
43	0114479	ENGINE(WITH ALART)	1	HONDA GX340UT2PKX2	
44	0116204	TOOL	1	SPC	
45	741305153	WING BOLT	1	M8 \times 15 SUS	
46	0116614	NAME PLATE	1		
47	0110979	STRAINER	1	SPC	
48	0117639	COUPLING SET	2		
49	0110471	HOSE NIPPLE	2	ADC	
50	0116189	COUPLING	2	ADC	
51	0111478	COUPLING PACKING	2	NBR	
52	940407120	HOSE BAND	3	#72(48-127)	
53	0121540	SEAL WASHER	3	8.1X17XT2 MFZN II -H.C	
	0116615	PACKING CASE	1	K6W	

◆ Bare engine can not be supplied