



Construction features

High resistance to water containing sand, mud with solids in suspension:

- Casing in cast iron and impeller in **ductile iron**
- Mechanical seal in **silicon carbide-nitrile** rubber, grease lubricated
- **Rubber lined cast iron** front and rear wear plates

Rotary claw vacuum pump without lubrication

Vacuum pump nominal capacity: 75 m³/h / 2,650 ft³/h

Two vane open impeller with solids handling up to **76 mm / 3"**

Fuel tank: **130 liters / 34 USG**

Trailer with tractor wheels

Steel lifting bar, tow bar, folding foot, battery, muffler guard.

DN 150 / 6" ports

Diesel engine - VM SUN 2105E2

Displacement: 1992 cm³ / 122 in³

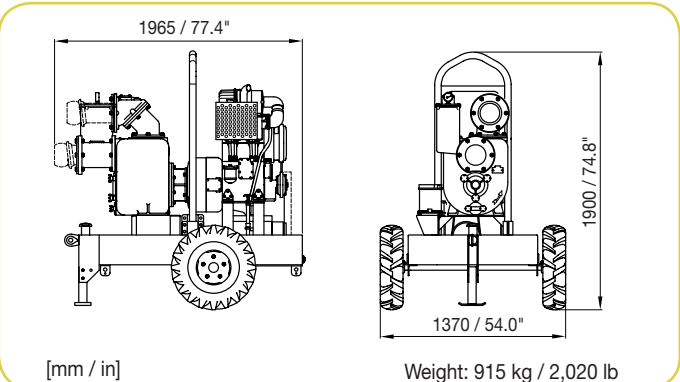
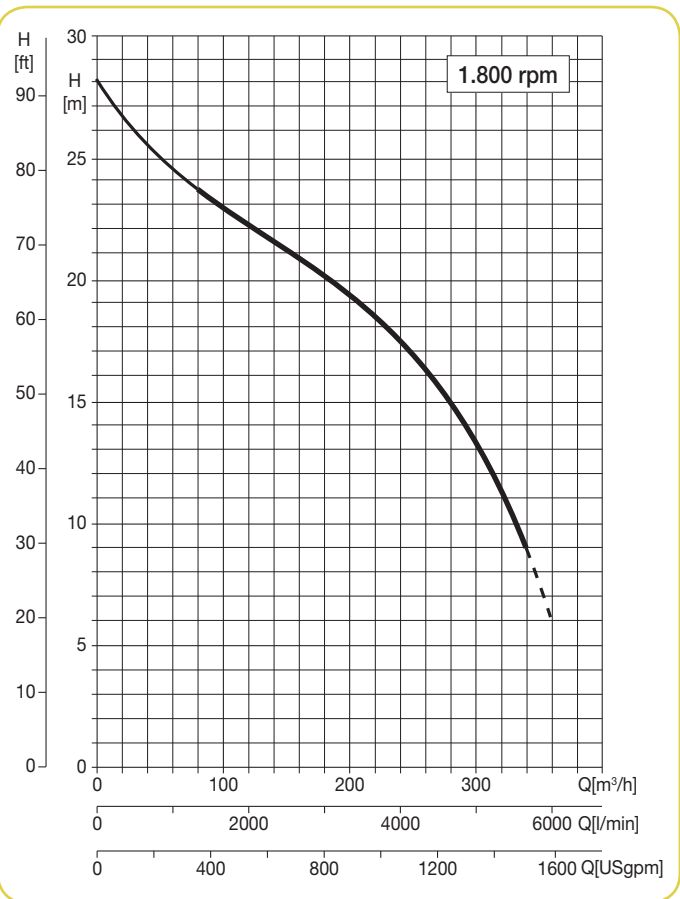
Power: 20 kW - 27 HP (1.800 rpm - ISO 3046)

Cooling: air

Starting: electric start (wet charged battery included)

Emissions: Stage 2

Accessories on request



Accessories	Description	Image	Code	Description
Suction pipes	Flexible hose in rubber/canvas with steel spiral 4 - 5 - 6 m / 13 - 16 - 20 ft (standard length)		10013575	B150X4S flexible hose
			10013576	B150X5S flexible hose
			10013577	B150X6S flexible hose
			10013529	B150X4S suction hose with strainer
			10013527	B150X5S suction hose with strainer
			10013528	B150X6S suction hose with strainer
Discharge pipes	PVC flat hose - 10 m / 33 ft (standard length)		10013648	H150X10S 4 bar flat hose
	Galvanized steel pipe (PN 10)		10013480	150SX3 discharge steel pipe
			10013478	150SX4 discharge steel pipe
			10013479	150SX5,8 discharge steel pipe
			10048935	150SX6,2 discharge steel pipe
			10045238	150Sx4 discharge PE pipe
PE HD pipe with galvanized steel spherical couplings (PN 6)		10045239	150Sx5,8 discharge PE pipe	
Elbows	Galvanized steel 90° elbow		10013410	150S 90° elbow
Strainers	Galvanized steel strainer		10013231	150S steel strainer